



US00D442718S

(12) **United States Design Patent**
Wachter

(10) **Patent No.:** **US D442,718 S**

(45) **Date of Patent:** **** May 22, 2001**

(54) **DART LAMPHOLDER**

(75) Inventor: **Peter F. Wachter**, Northfield, IL (US)

(73) Assignee: **Juno Manufacturing, Inc.**, Des Plaines, IL (US)

(**) Term: **14 Years**

(21) Appl. No.: **29/119,038**

(22) Filed: **Feb. 23, 2000**

(51) **LOC (7) Cl.** **26-05**

(52) **U.S. Cl.** **D26/63**

(58) **Field of Search** D26/60-66, 118;
362/267, 271, 272, 275, 276, 288, 427,
428, 429, 341, 345, 347, 349, 359, 361,
362, 374, 375, 383, 384, 385

(56) **References Cited**

PUBLICATIONS

L'Architecture D'Aujourd' hui, Apr. 1988, p. 51, spotlight.*

* cited by examiner

Primary Examiner—Susan J. Lucas

(74) *Attorney, Agent, or Firm*—Anthony S. Zimmer

(57) **CLAIM**

The ornamental design for a dart lampholder, as shown and described.

DESCRIPTION

FIG. 1 is a left rear perspective view of a dart lampholder for use on a track showing my design with an adapter and track shown in phantom;

FIG. 2 is a right elevational view of the dart lampholder for use on a track as shown in FIG. 1, and the left elevational view is identical;

FIG. 3 is a front elevational view of the dart lampholder for use on a track as shown in FIG. 1;

FIG. 4 is a rear elevational view of the dart lampholder for use on a track as shown in FIG. 1;

FIG. 5 is a top view of the dart lampholder for use on a track as shown in FIG. 1; and,

FIG. 6 is a bottom view of the dart lampholder for use on a track as shown in FIG. 1.

The broken lines are shown for illustrative purposes only and form no part of the claimed design.

1 Claim, 2 Drawing Sheets

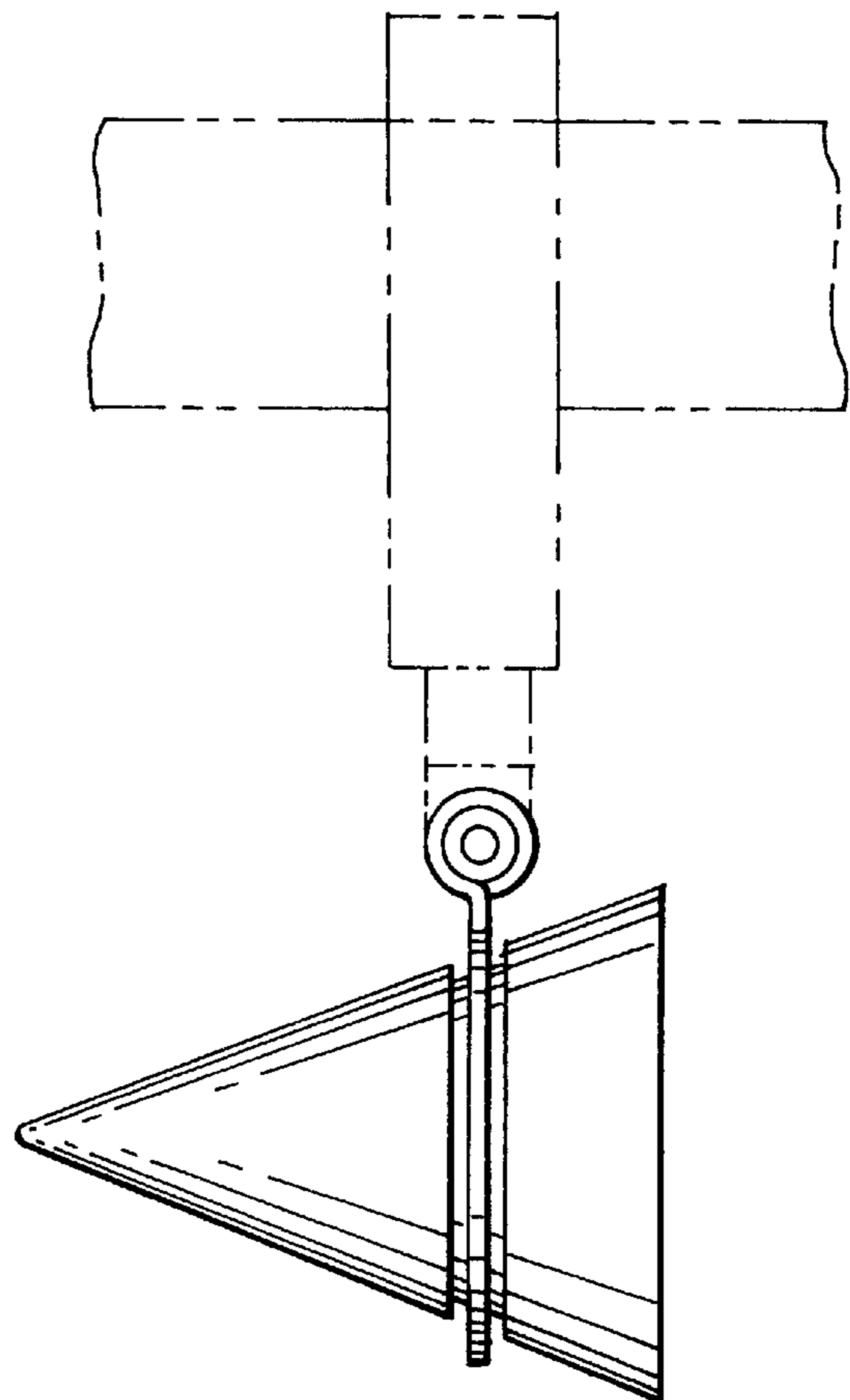
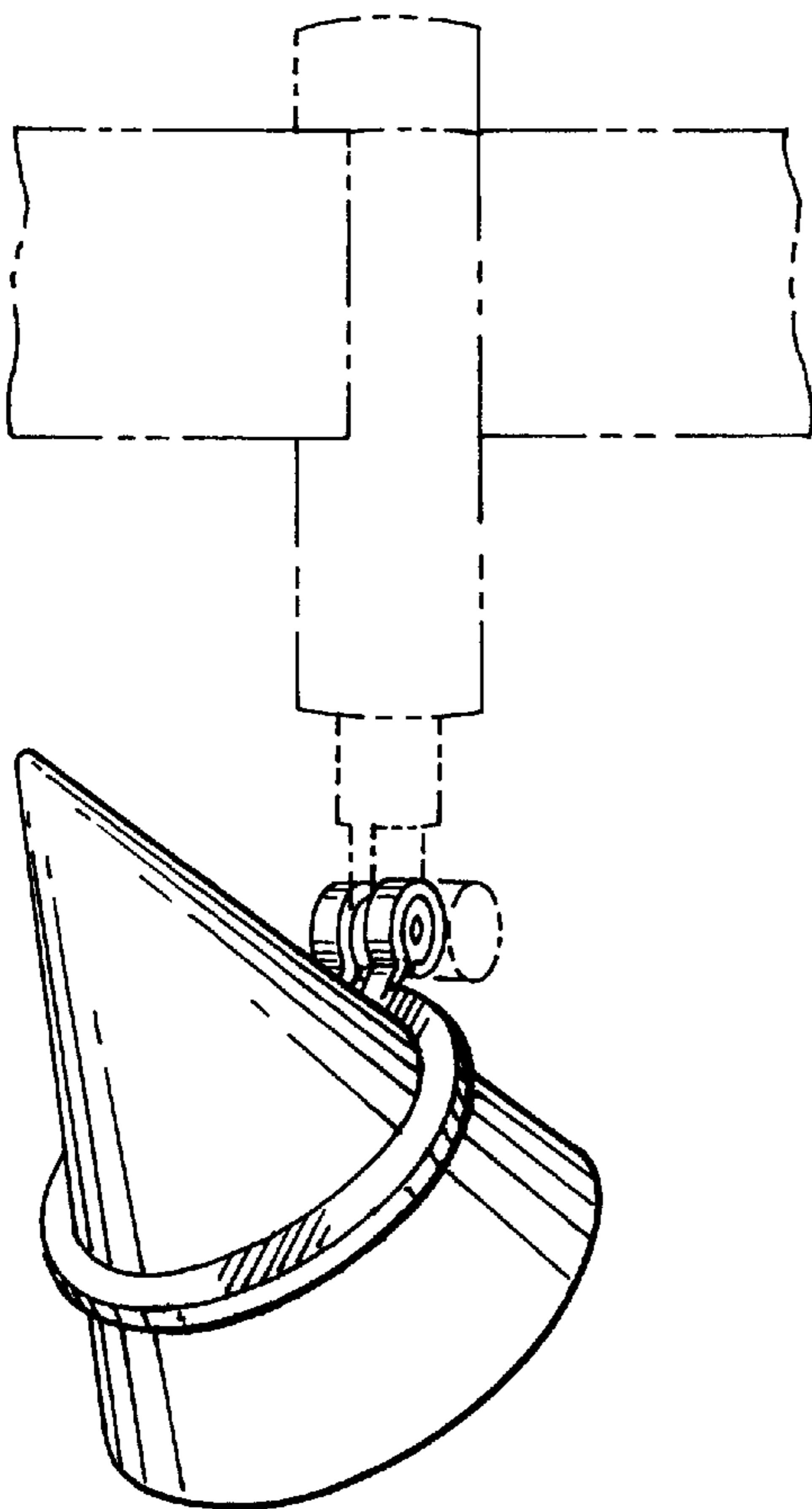


FIG.1

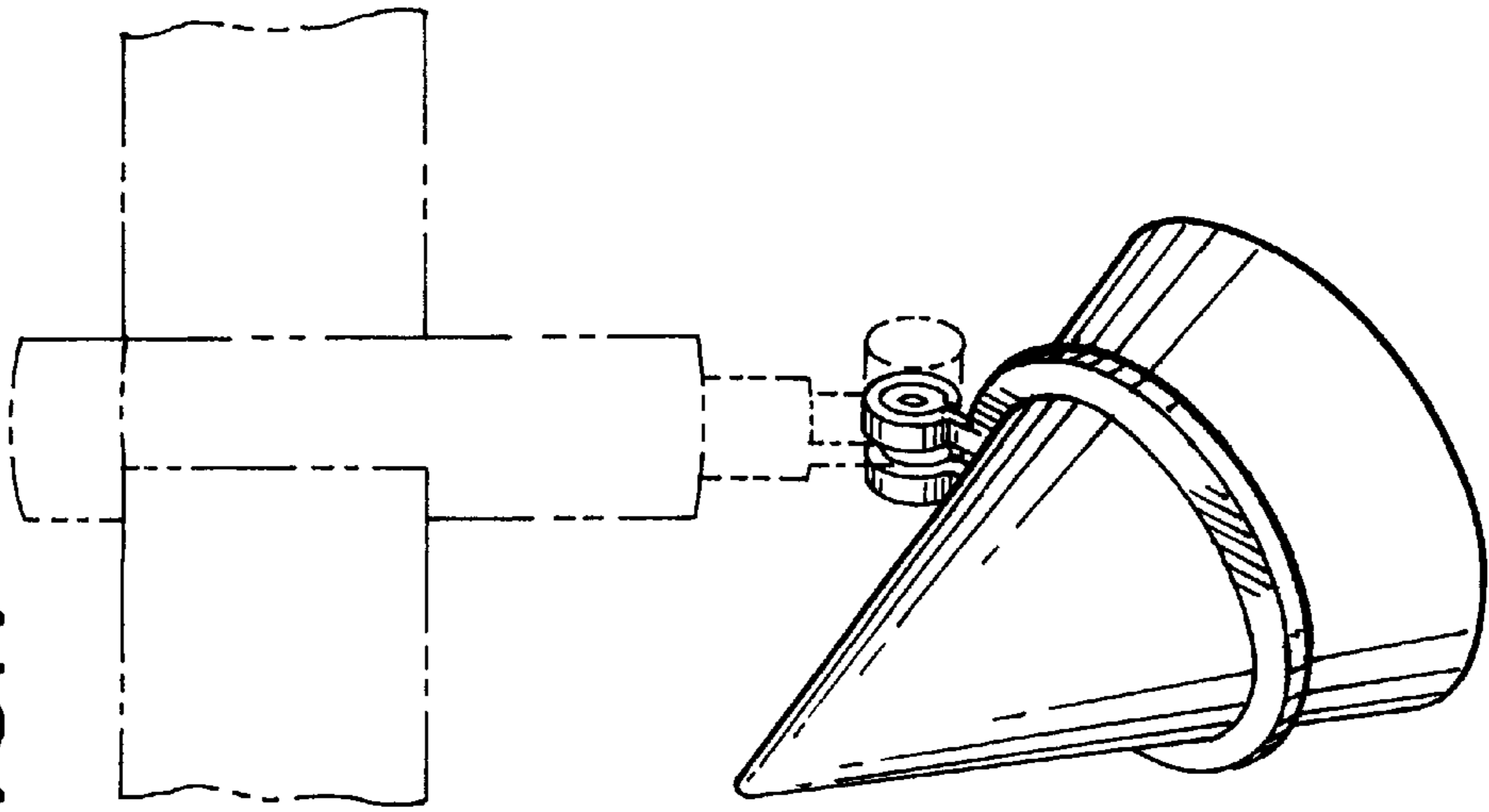


FIG.2

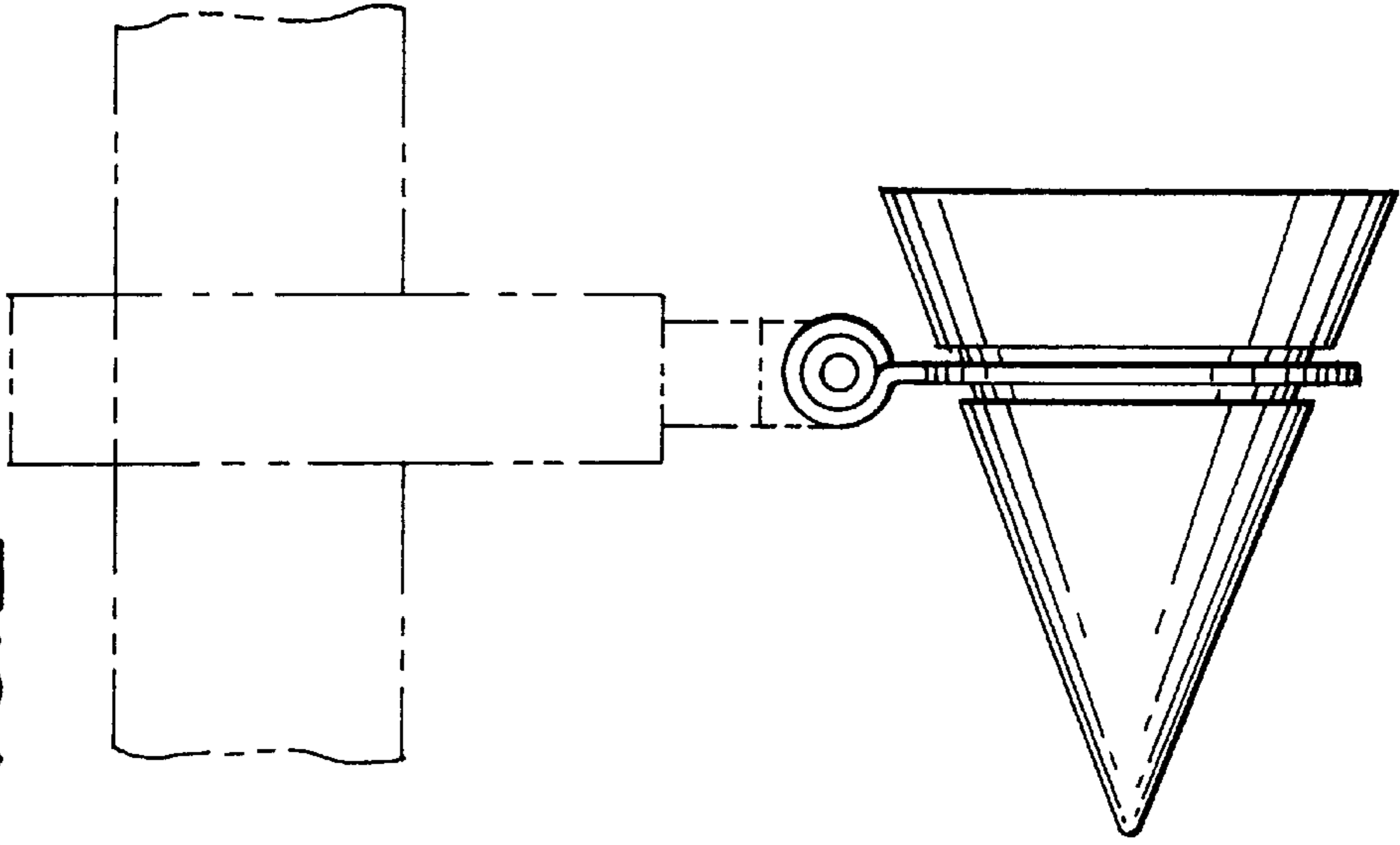


FIG.3

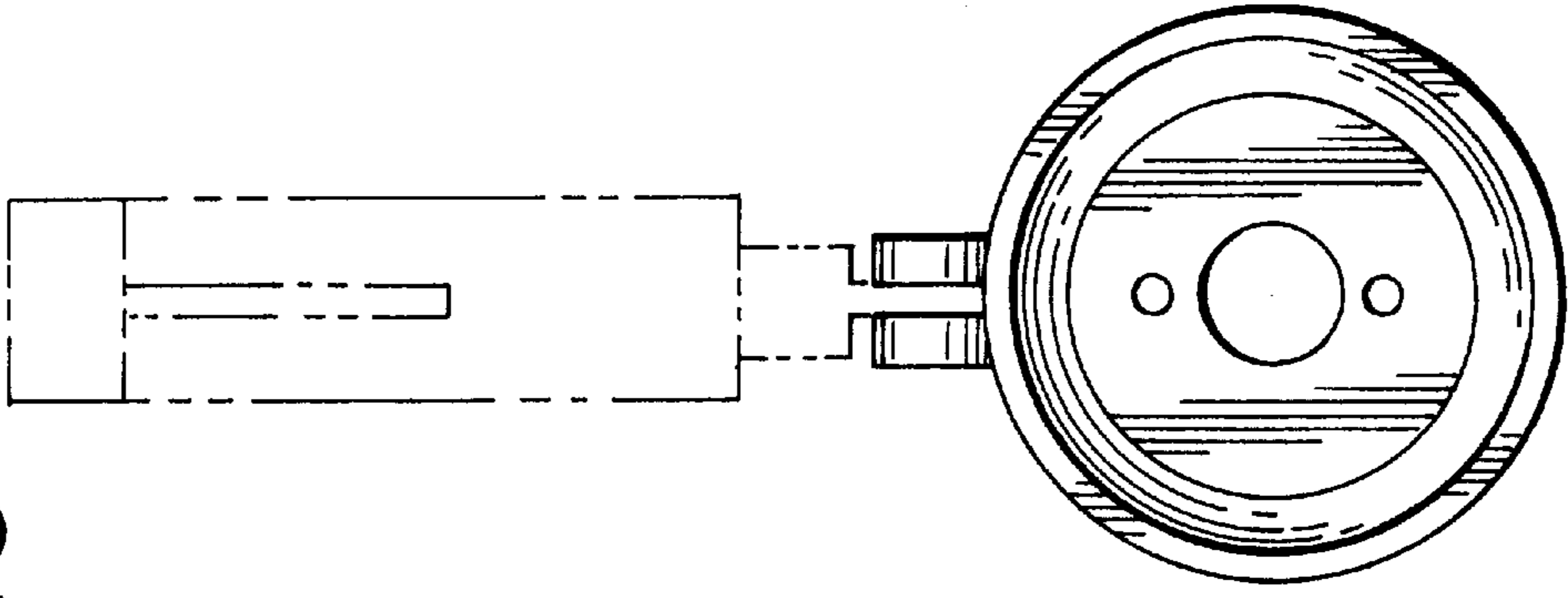


FIG.4

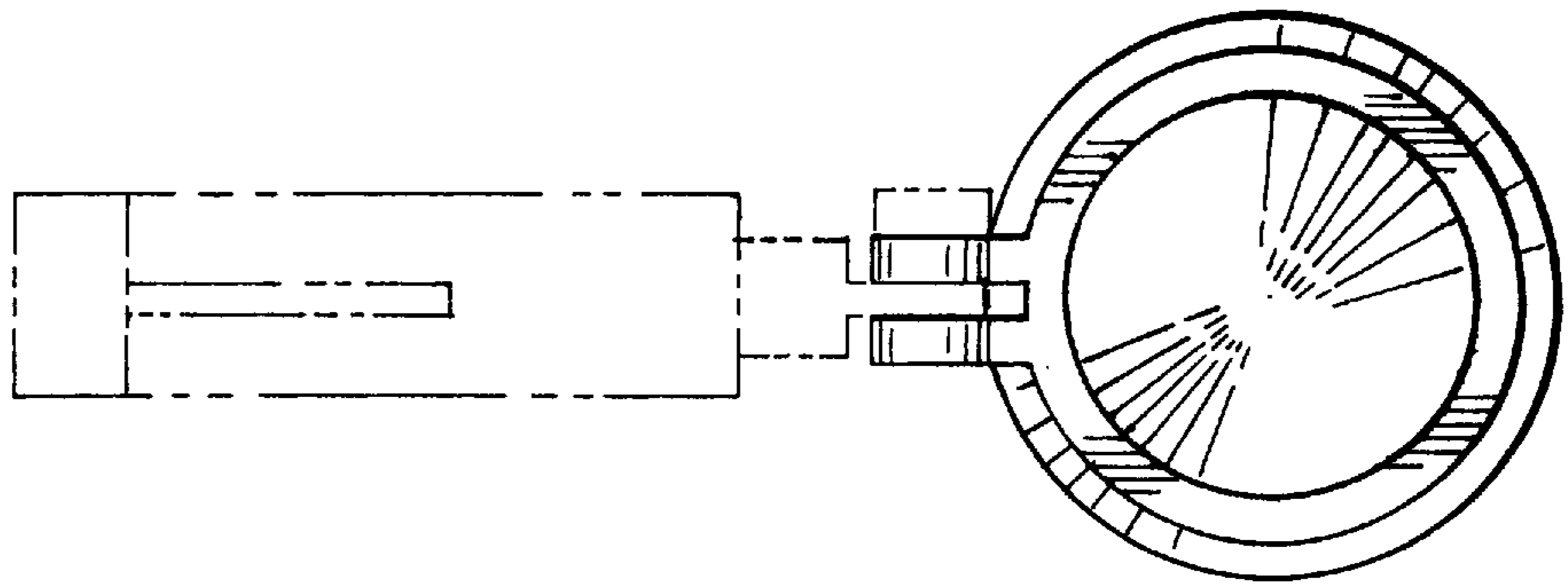


FIG.5

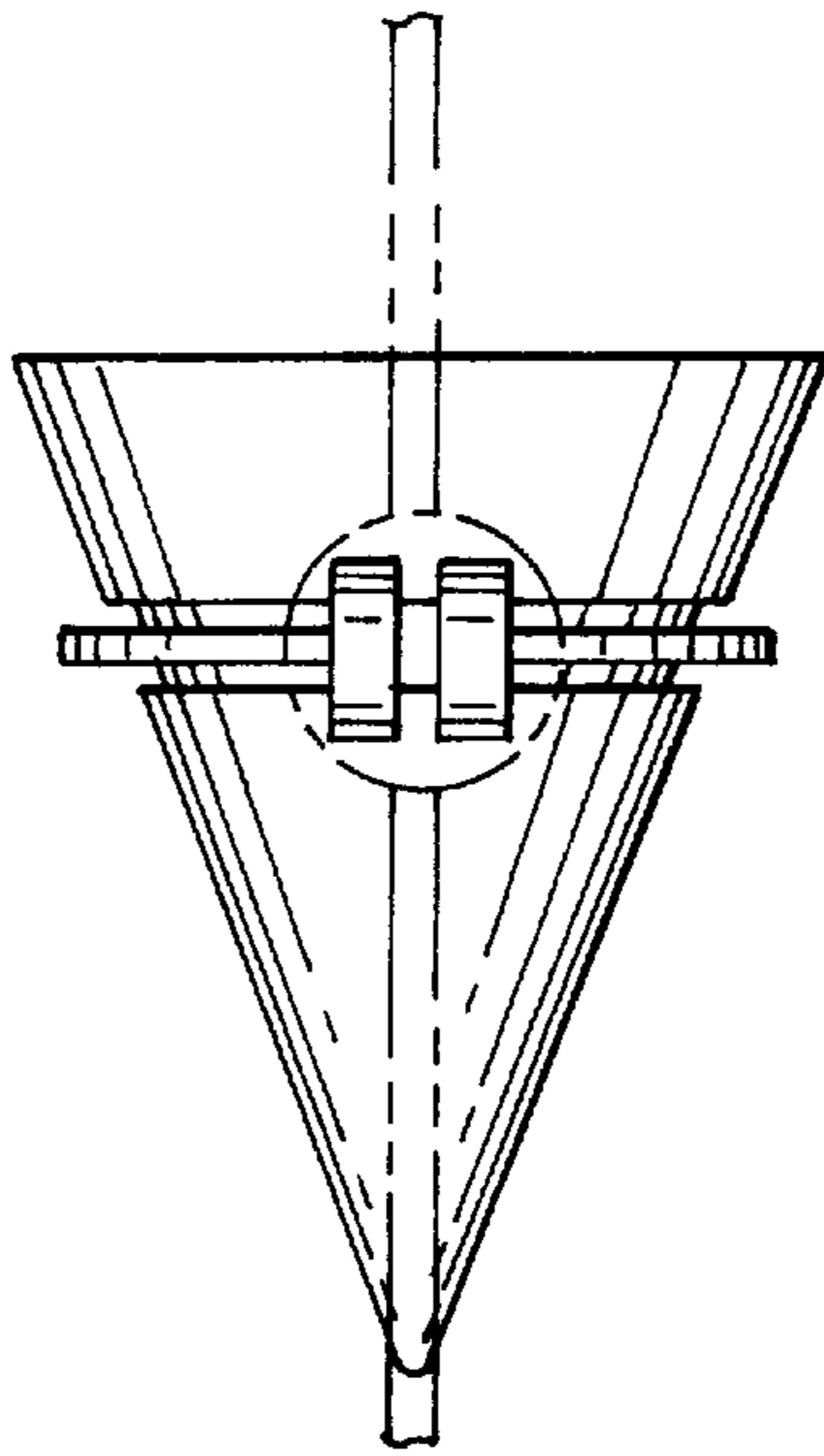


FIG.6

