



US00D442717S

(12) **United States Design Patent**
Binsukor

(10) **Patent No.:** **US D442,717 S**

(45) **Date of Patent:** **** May 22, 2001**

(54) **LUMINAIRE**

OTHER PUBLICATIONS

(75) **Inventor:** **Wisoot Binsukor**, Samutprakarn (TH)

Lighting Services condensed catalog, Jan. 1986, spot light #240-00FR.*

(73) **Assignee:** **WE-EF Lighting Co., LTD**,
Samutprakarn (TH)

* cited by examiner

(**) **Term:** **14 Years**

Primary Examiner—Susan J. Lucas

(74) *Attorney, Agent, or Firm*—Ladas & Parry

(21) **Appl. No.:** **29/103,682**

(57) **CLAIM**

(22) **Filed:** **Apr. 19, 1999**

I claim the ornamental design for a luminaire, as shown.

(30) **Foreign Application Priority Data**

DESCRIPTION

Apr. 9, 1999 (TH) 049844

(51) **LOC (7) Cl.** **26-05**

FIG. 1 is a front/top/right-side perspective view of a luminaire showing my new design;

(52) **U.S. Cl.** **D26/63**

FIG. 2 is a rear/top/right-side perspective view thereof;

(58) **Field of Search** D26/60-66; 362/267,
362/271, 272, 275, 276, 288, 427, 428,
429, 341, 345, 347, 349, 359, 361, 362,
374, 375, 383, 384, 385

FIG. 3 is a top plan view thereof;

FIG. 4 is a front elevational view thereof;

FIG. 5 is a left-side elevational view thereof;

FIG. 6 is a right-side elevational view thereof;

FIG. 7 is a bottom plan view thereof; and,

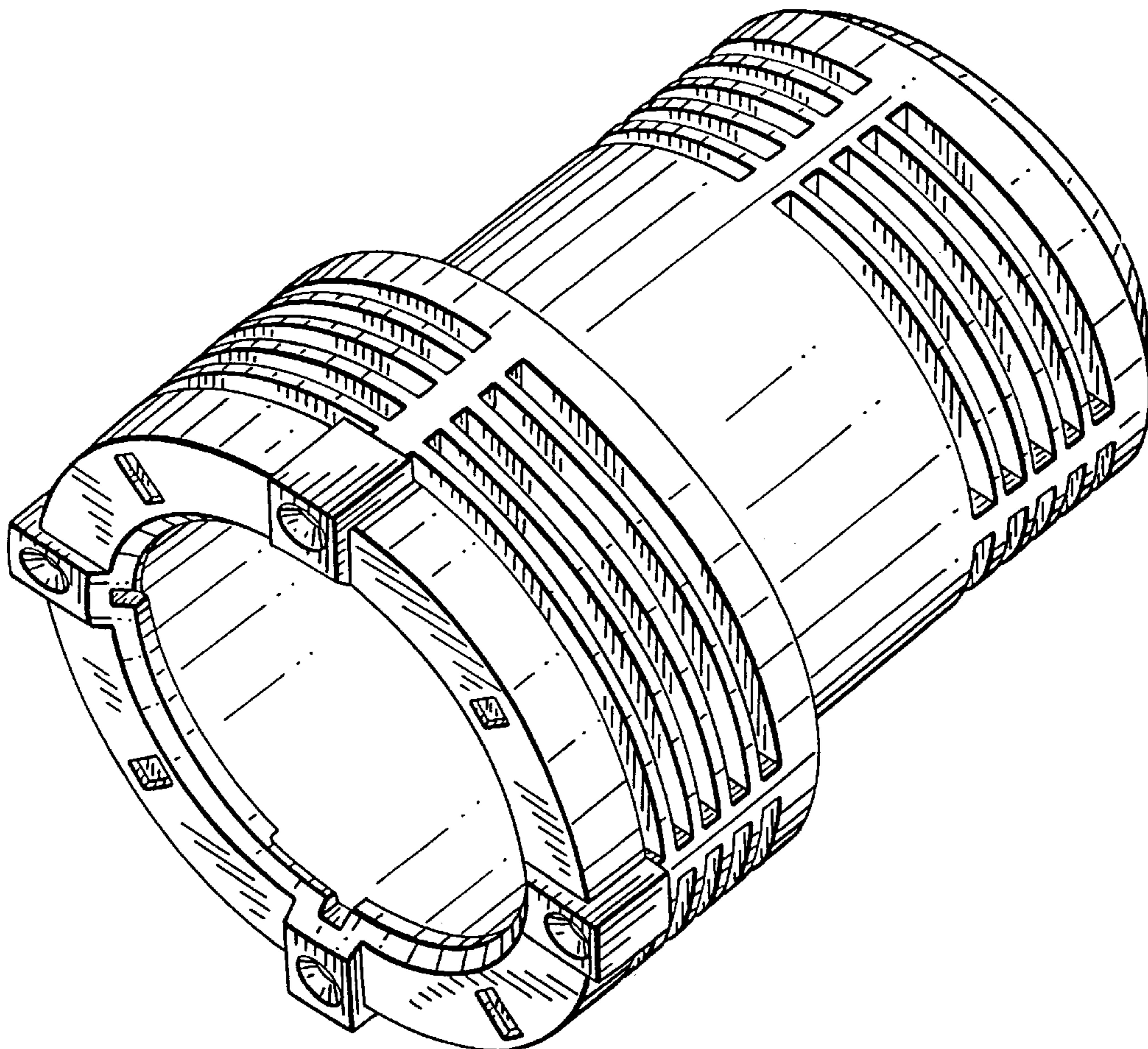
FIG. 8 is a rear elevational view thereof.

(56) **References Cited**

U.S. PATENT DOCUMENTS

D. 370,075 * 5/1996 Mier-Langner et al. D26/63

1 Claim, 8 Drawing Sheets



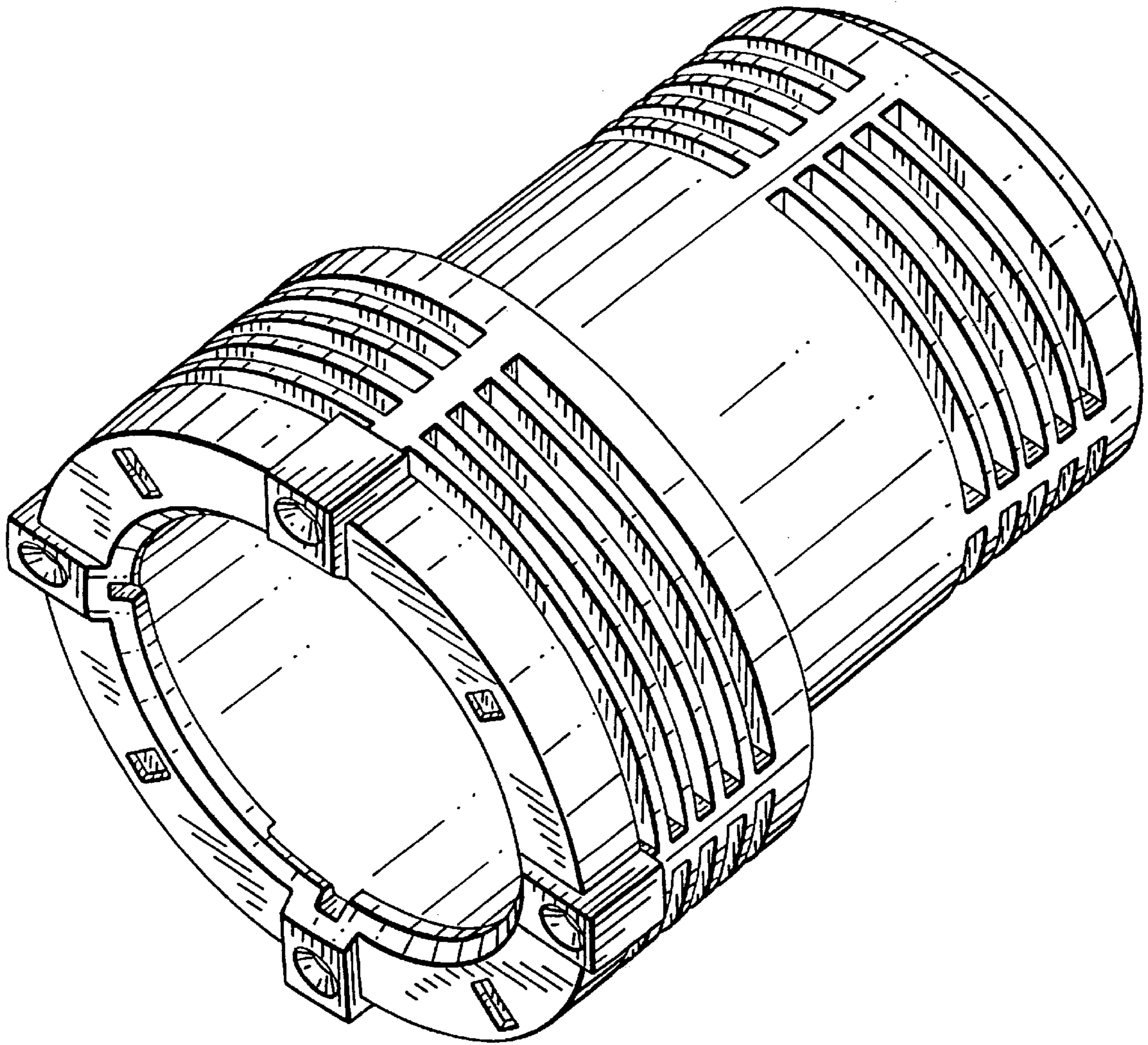


FIG. 1

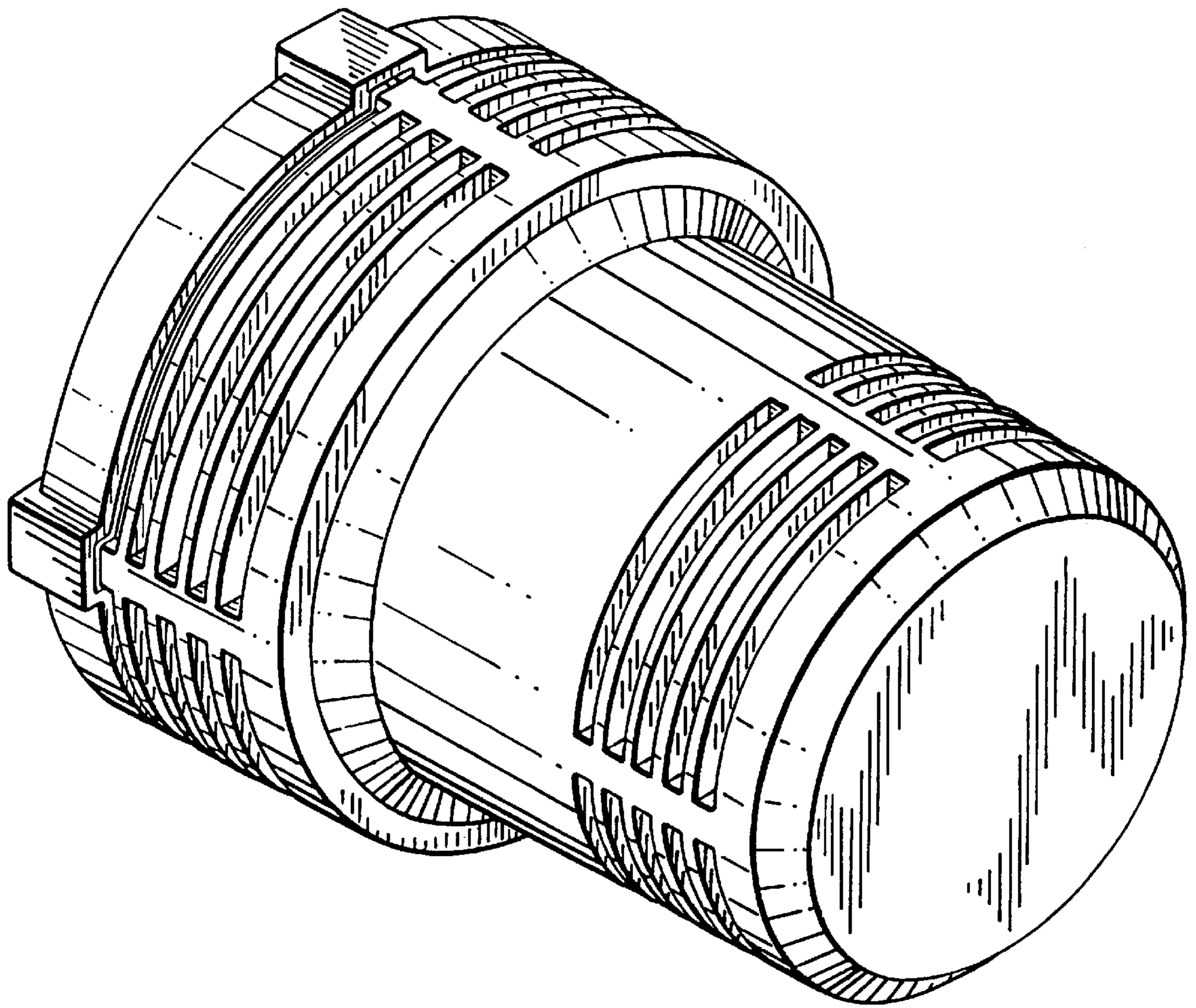


FIG. 2

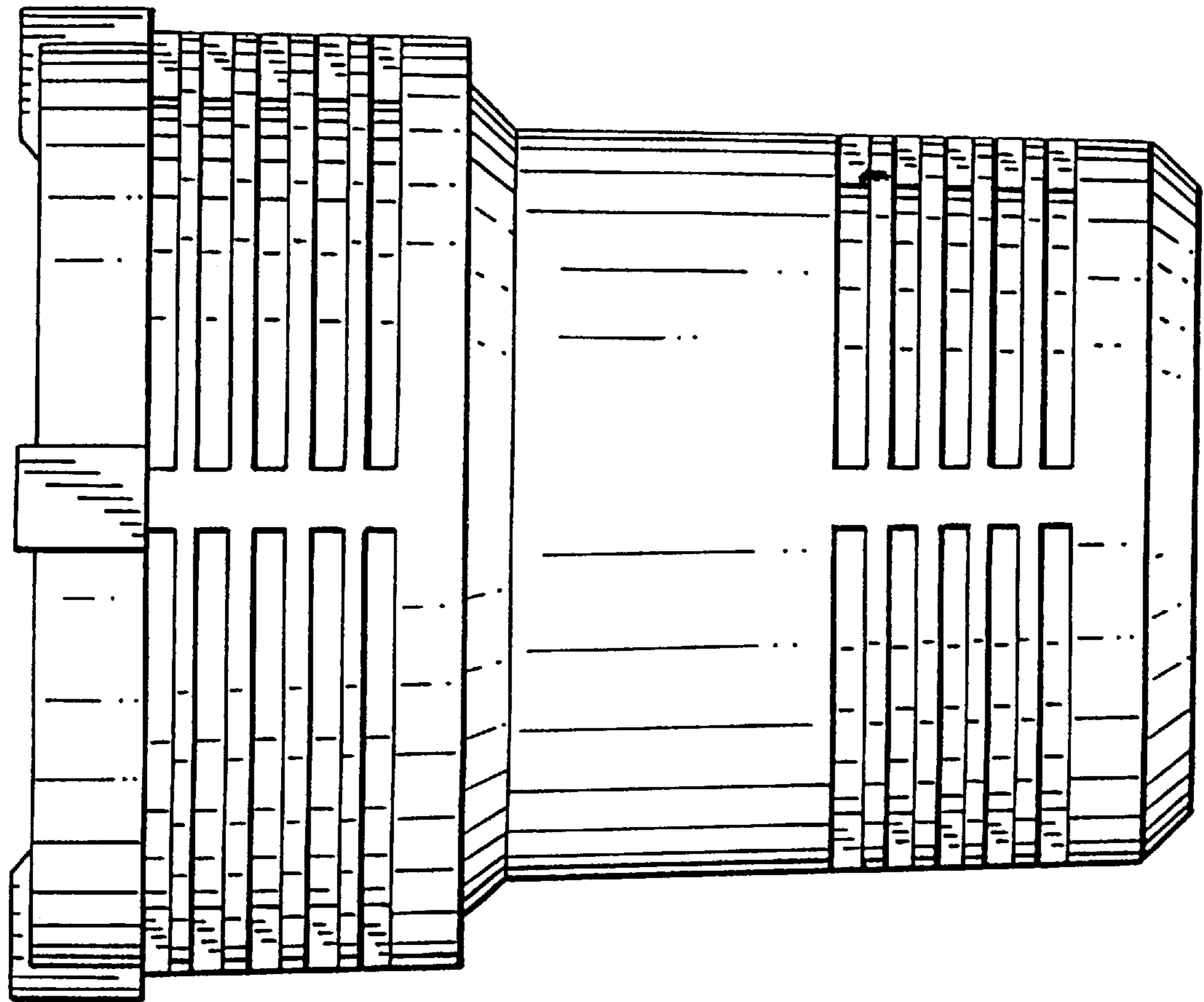


FIG. 3

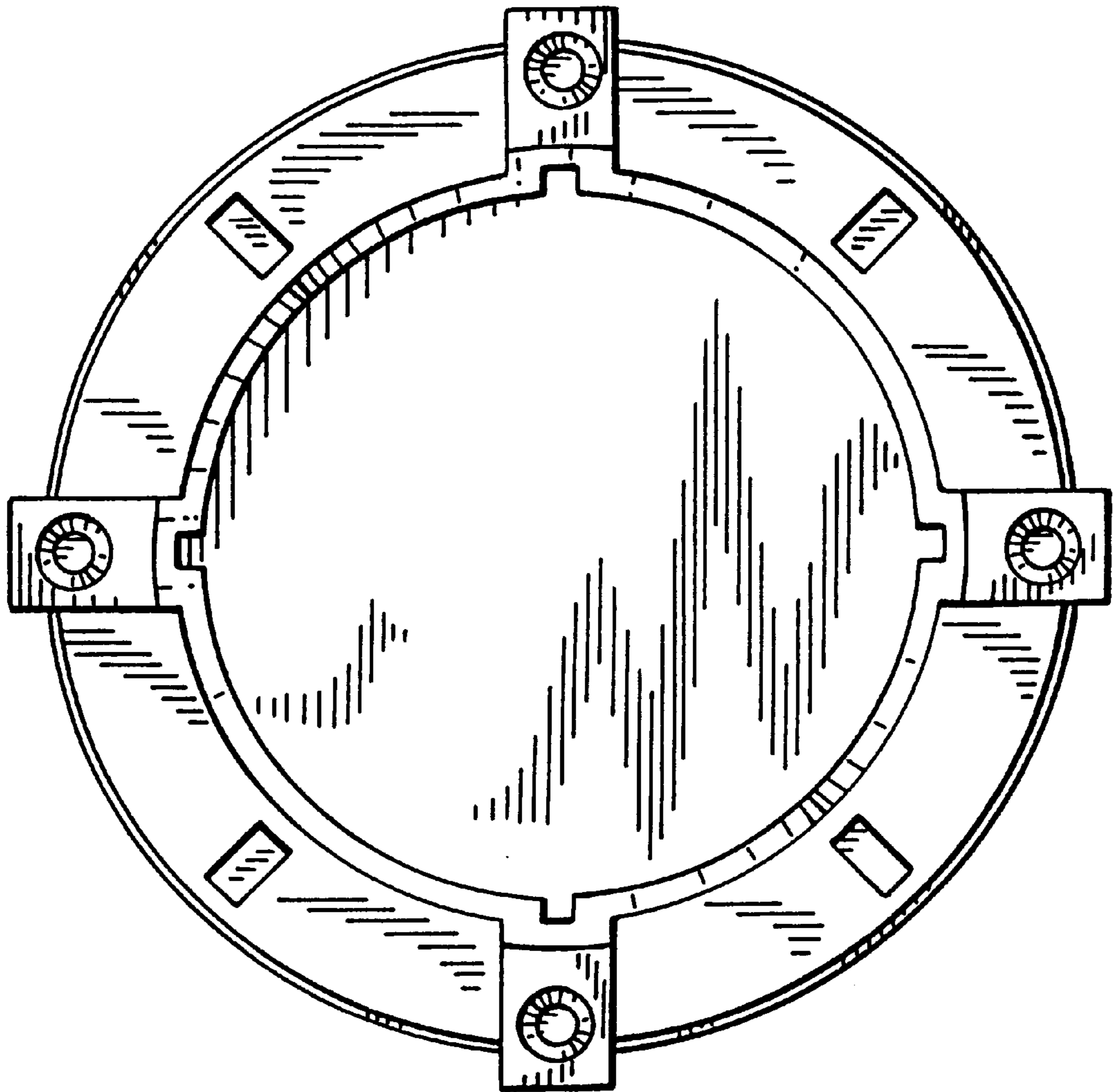


FIG. 4

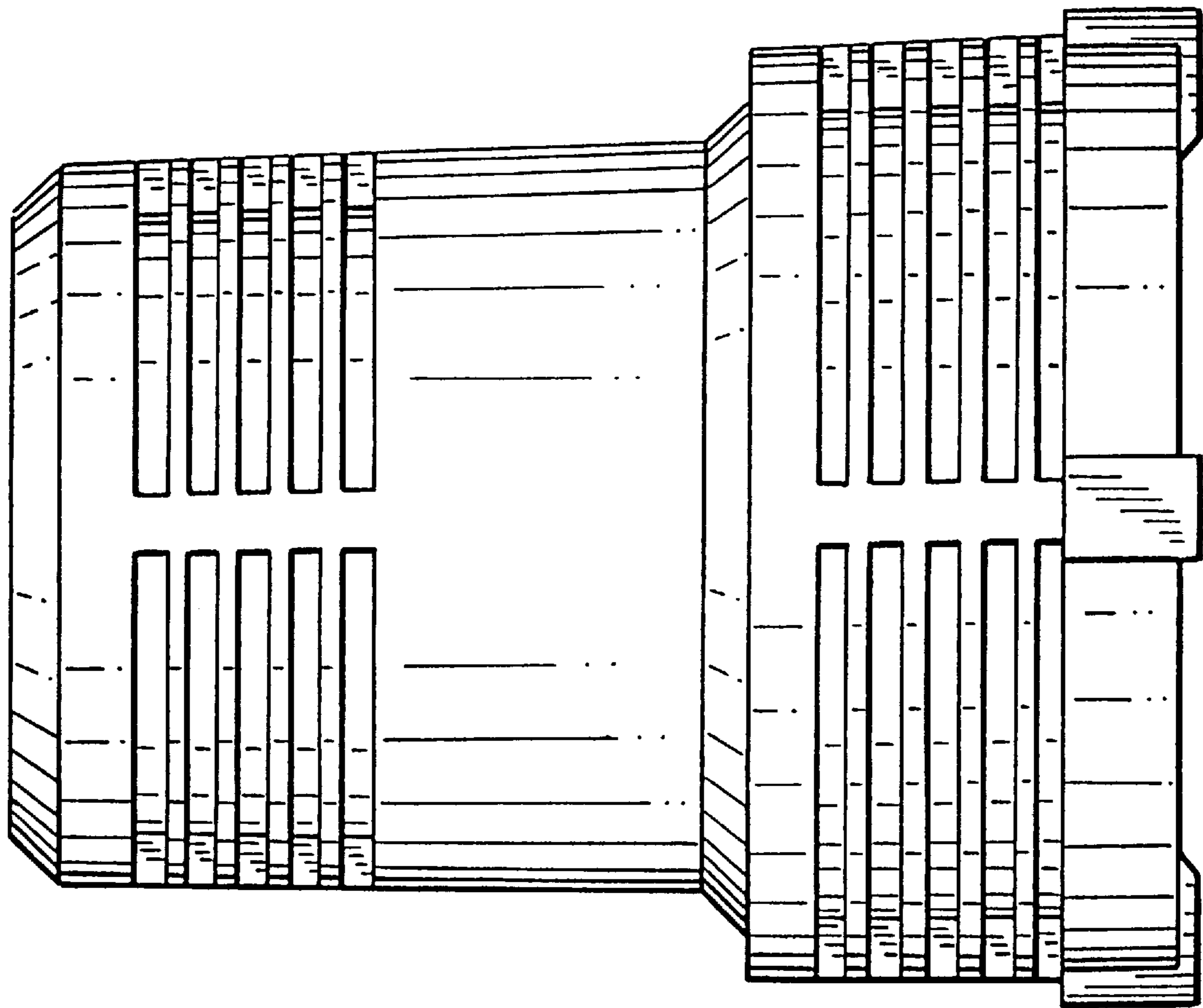


FIG. 5

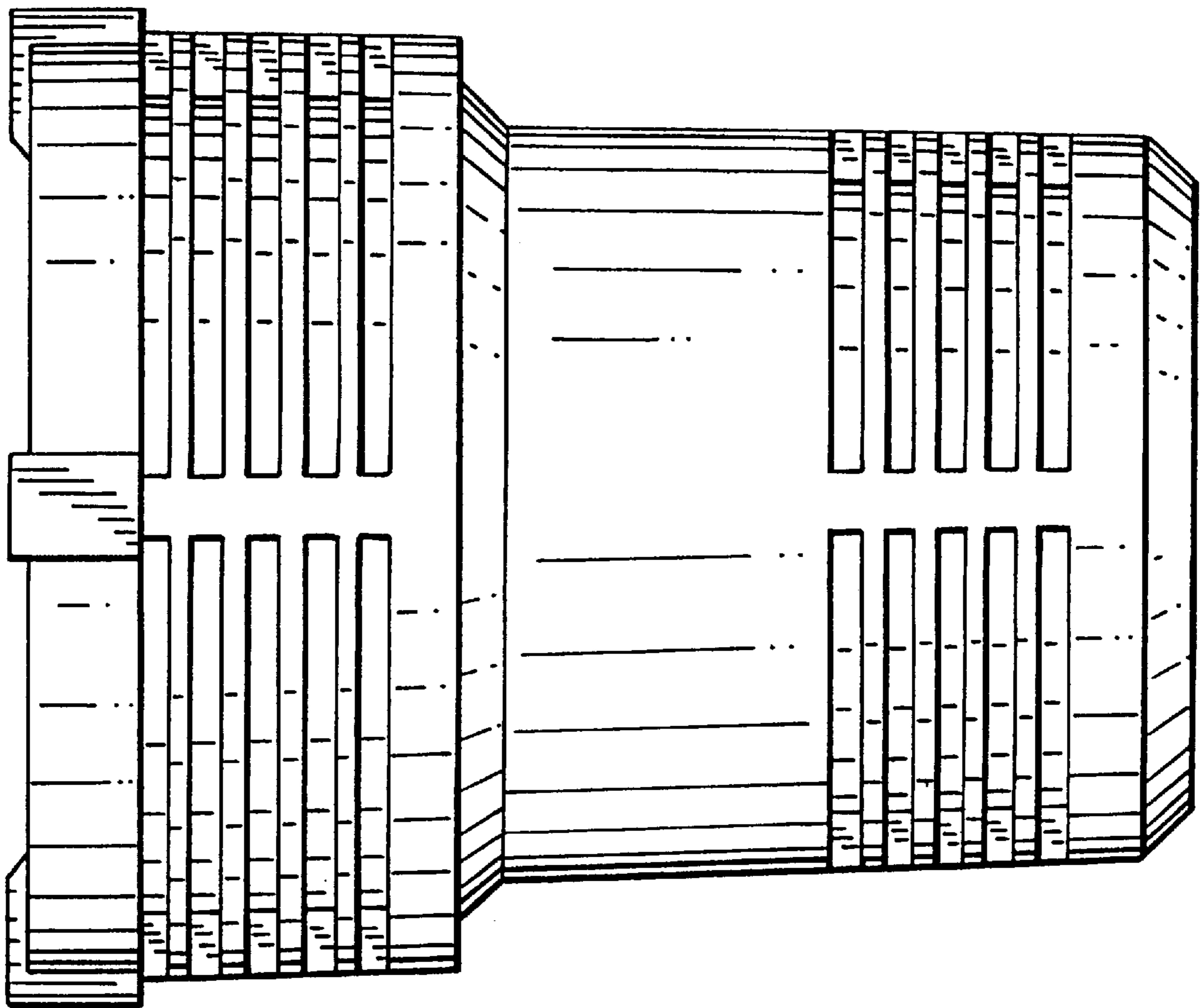


FIG. 6

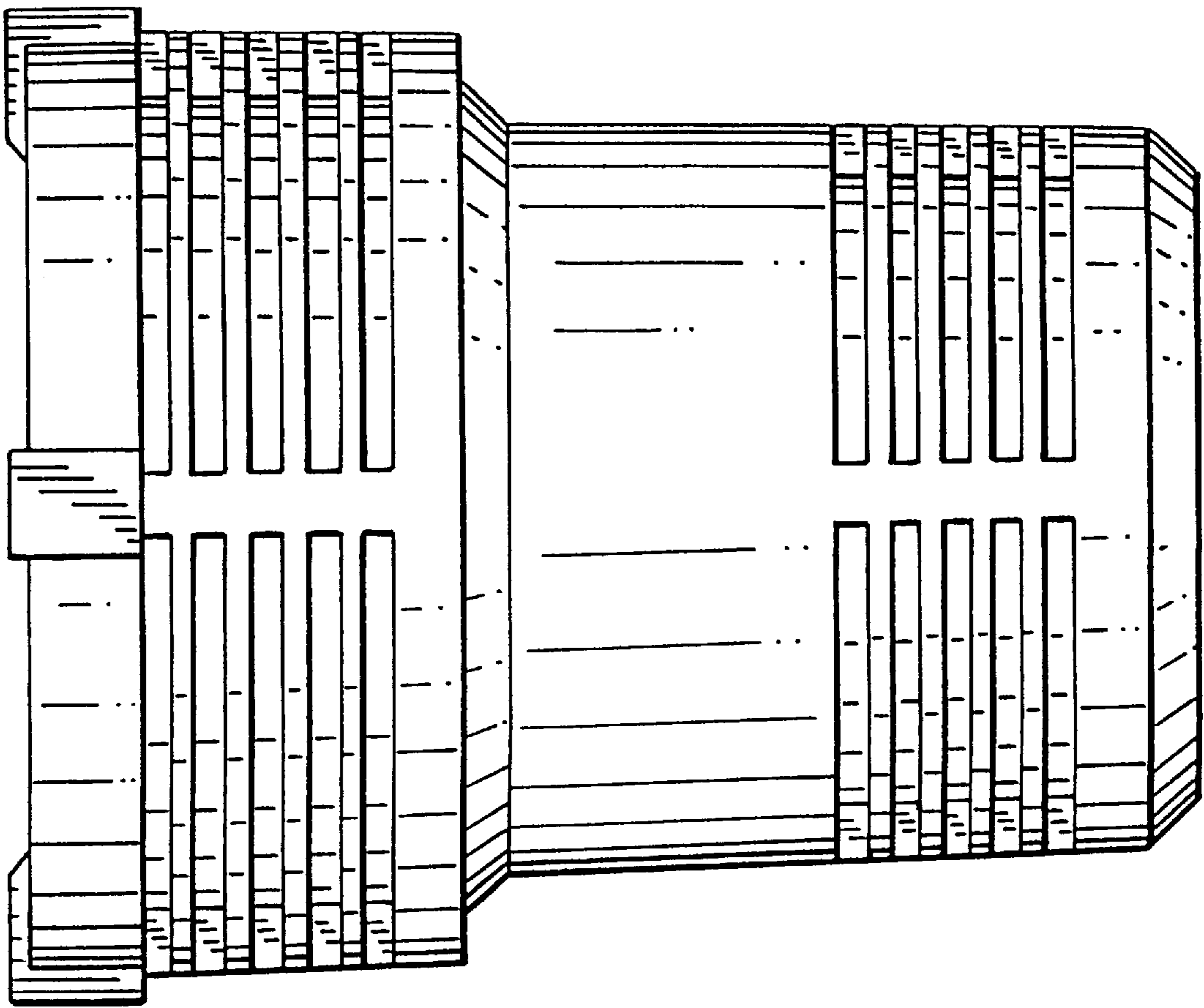


FIG. 7

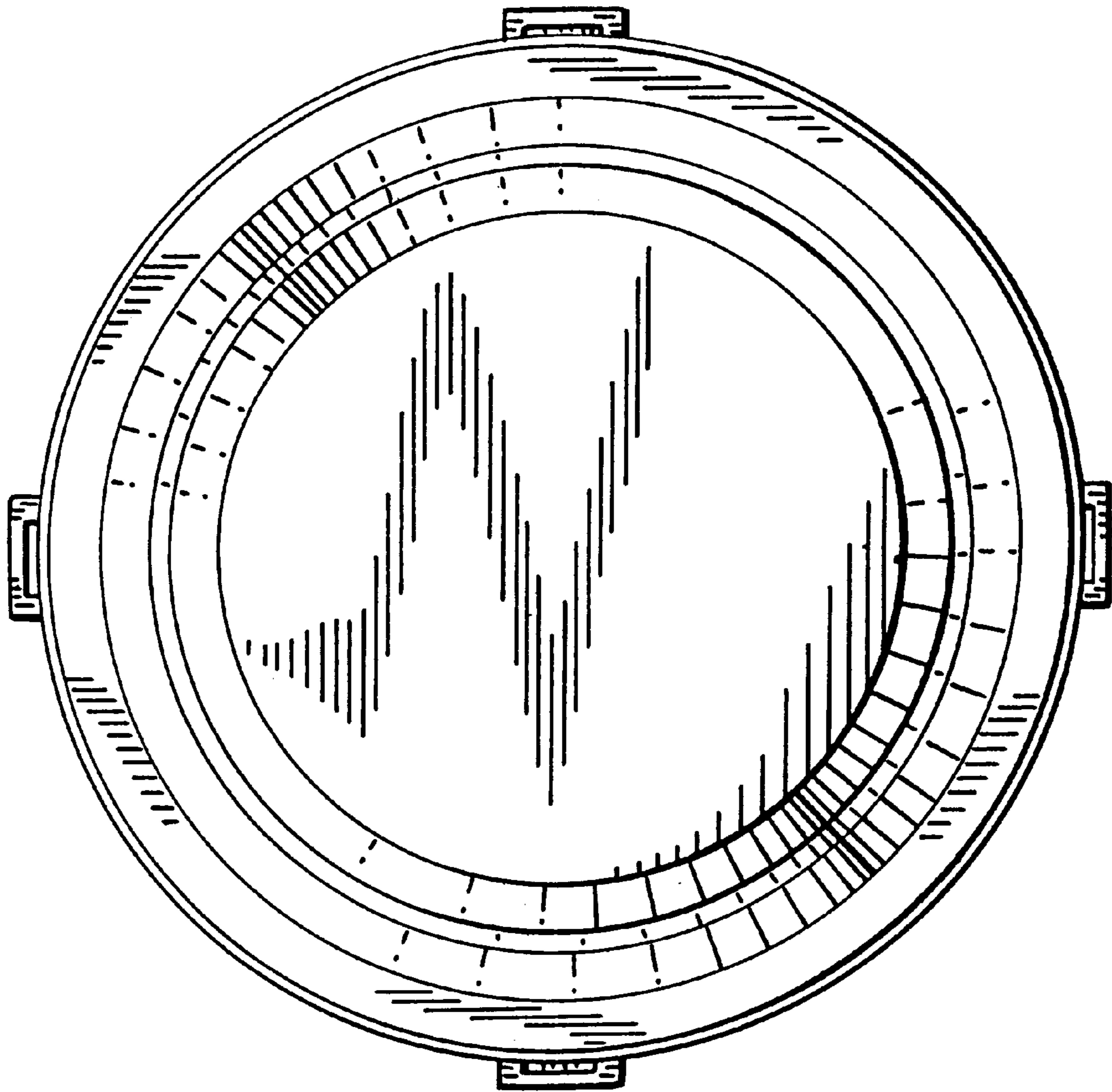


FIG. 8