



US00D442703S

(12) **United States Design Patent**  
**Fifield**

(10) **Patent No.:** **US D442,703 S**

(45) **Date of Patent:** **\*\* May 22, 2001**

(54) **PAVING BLOCK**

(75) Inventor: **John Fifield, Aylesbury (GB)**

(73) Assignee: **CRH Oldcastle Inc., Atlanta, GA (US)**

(\*\*) Term: **14 Years**

(21) Appl. No.: **29/117,231**

(22) Filed: **Jan. 19, 2000**

(30) **Foreign Application Priority Data**

Jul. 22, 1999	(GB)	.....	2085217
Jul. 22, 1999	(GB)	.....	2085218
Jul. 22, 1999	(GB)	.....	2085219

(51) **LOC (7) Cl.** ..... **25-01**

(52) **U.S. Cl.** ..... **D25/113**

(58) **Field of Search** ..... D25/112-118,  
D25/119; D21/484-485, 490-493, 499-505;  
52/574-575, 596-612; 404/34, 37-39, 40-42,  
50; 405/284-286

(56) **References Cited**

**U.S. PATENT DOCUMENTS**

D. 278,934	*	5/1985	Scheiwiller	.....	D25/113
D. 425,628	*	5/2000	Barth et al.	.....	D25/113
1,314,278	*	2/1919	McClain	.....	404/38
4,572,699	*	2/1986	Rinninger	.....	404/42
4,627,764	*	12/1986	Scheiwiller	.....	404/41
5,051,023	*	9/1991	Yoshida et al.	.....	404/39
5,533,827	*	7/1996	Scheiwiller	.....	404/38

**FOREIGN PATENT DOCUMENTS**

2702558	*	2/1977	(DE)	.....	D25/113
19520887	*	7/1994	(DE)	.....	D25/113

\* cited by examiner

*Primary Examiner*—Louis S. Zarfaz  
*Assistant Examiner*—Robert A. Delehanty

(74) *Attorney, Agent, or Firm*—Killworth, Gottman, Hagan & Schaeff LLP

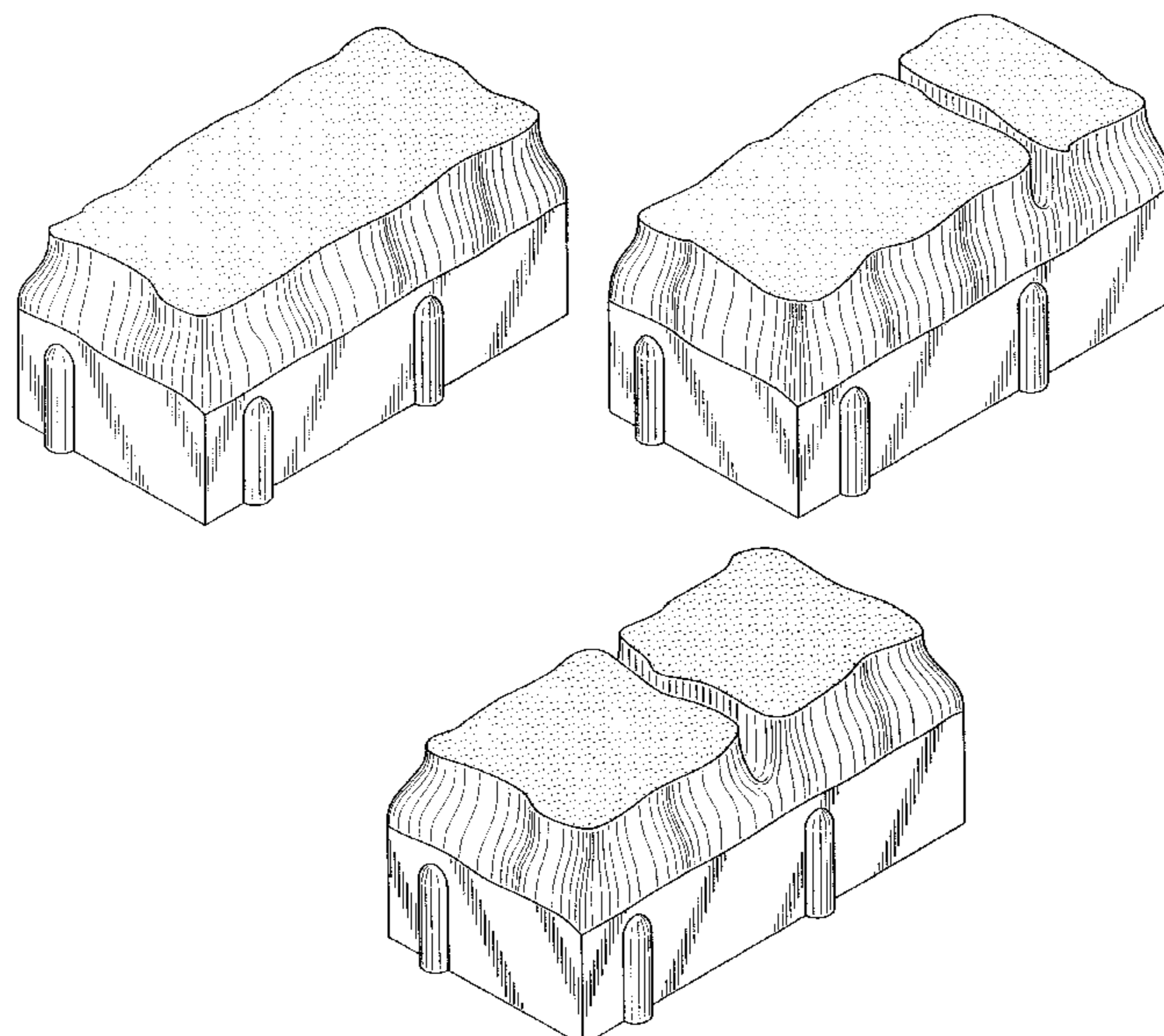
(57) **CLAIM**

The ornamental design for a paving block, as shown and described.

**DESCRIPTION**

FIG. 1 is an isometric illustration of a paving block design according to a first embodiment of the present invention; FIG. 2 is a top view of the paving block design illustrated in FIG. 1; FIG. 3 is a bottom view of the paving block design illustrated in FIG. 1; FIG. 4 is a side view of the paving block design illustrated in FIG. 1; FIG. 5 is an end view of the paving block design illustrated in FIG. 1; FIG. 6 is an isometric illustration of a paving block design according to a second embodiment of the present invention; FIG. 7 is a top view of the paving block design illustrated in FIG. 6; FIG. 8 is a bottom view of the paving block design illustrated in FIG. 6; FIG. 9 is a side view of the paving block design illustrated in FIG. 6; FIG. 10 is an end view of the paving block design illustrated in FIG. 6; FIG. 11 is an isometric illustration of a paving block design according to a third embodiment of the present invention; FIG. 12 is a top view of the paving block design illustrated in FIG. 11; FIG. 13 is a bottom view of the paving block design illustrated in FIG. 11; FIG. 14 is a side view of the paving block design illustrated in FIG. 11; and, FIG. 15 is an end view of the paving block design illustrated in FIG. 11.

**1 Claim, 6 Drawing Sheets**



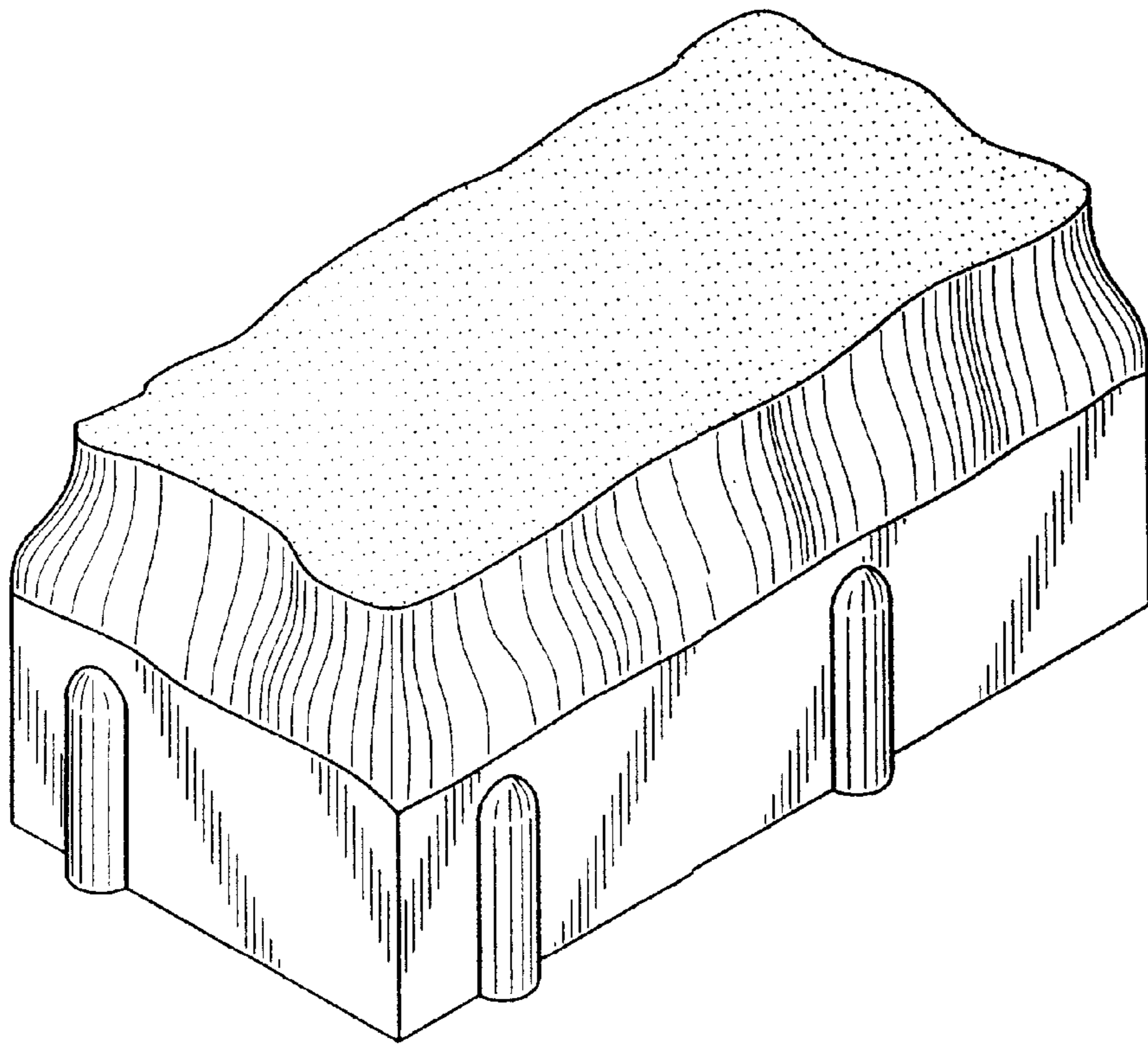


FIG. 1

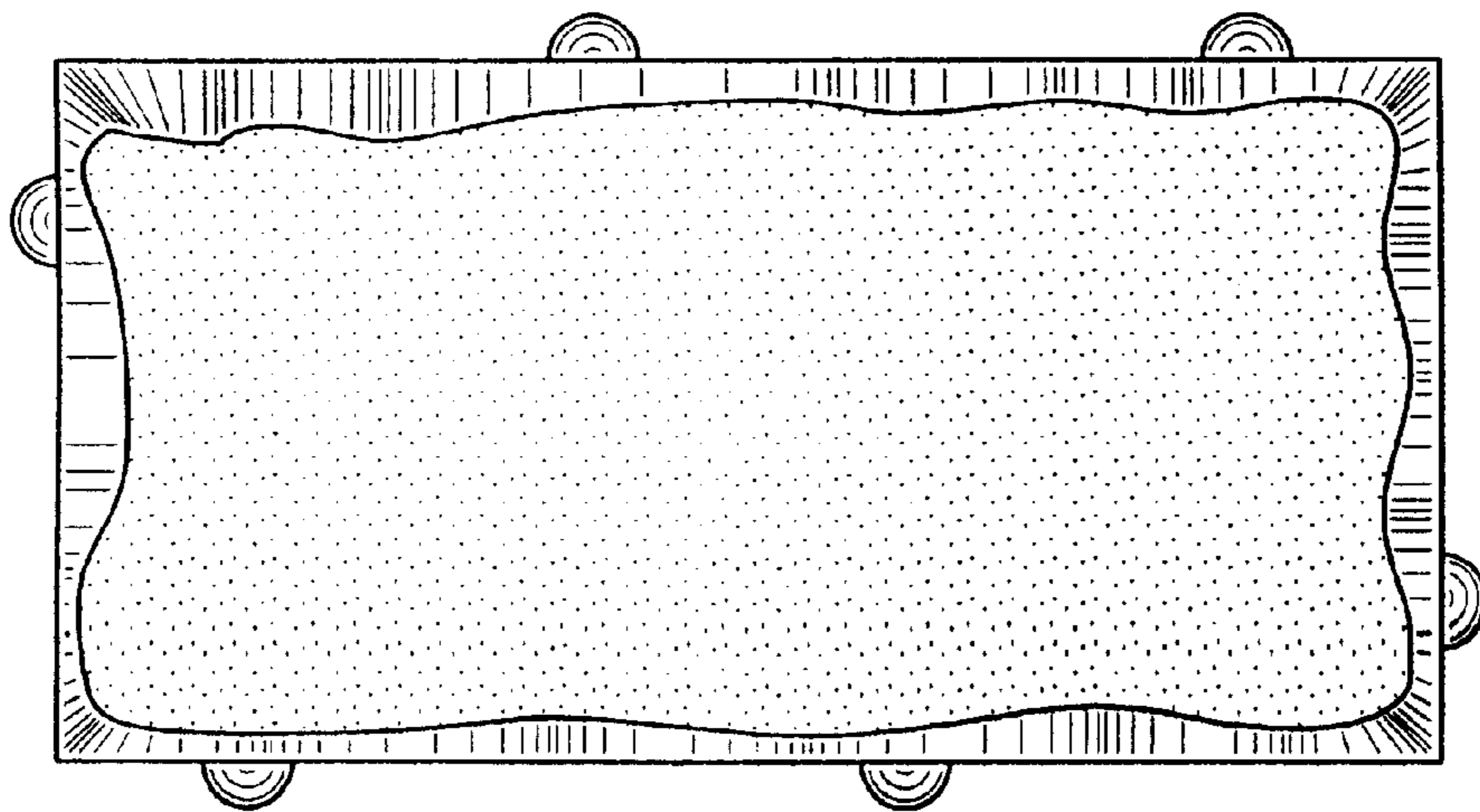


FIG. 2

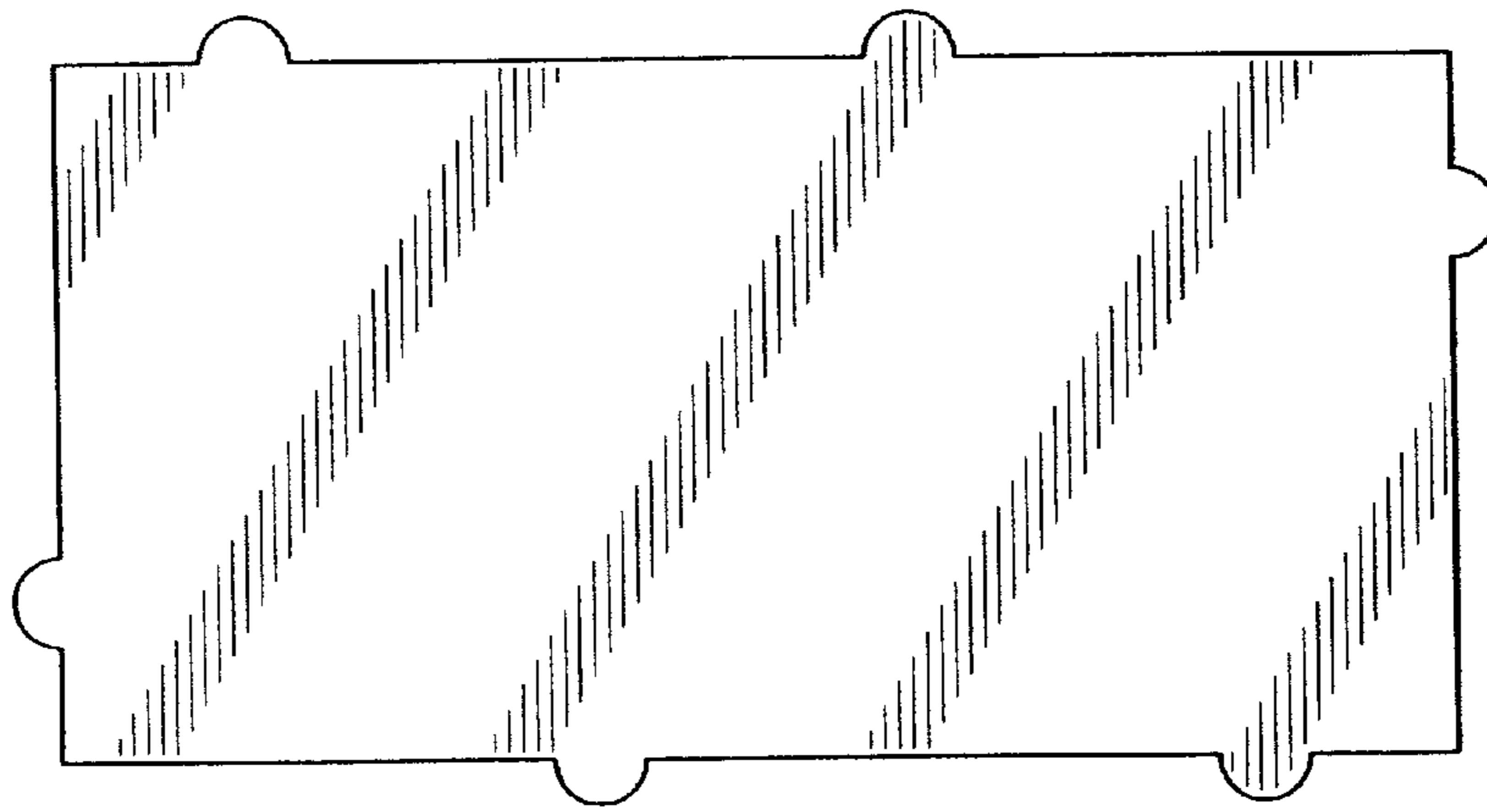


FIG. 3

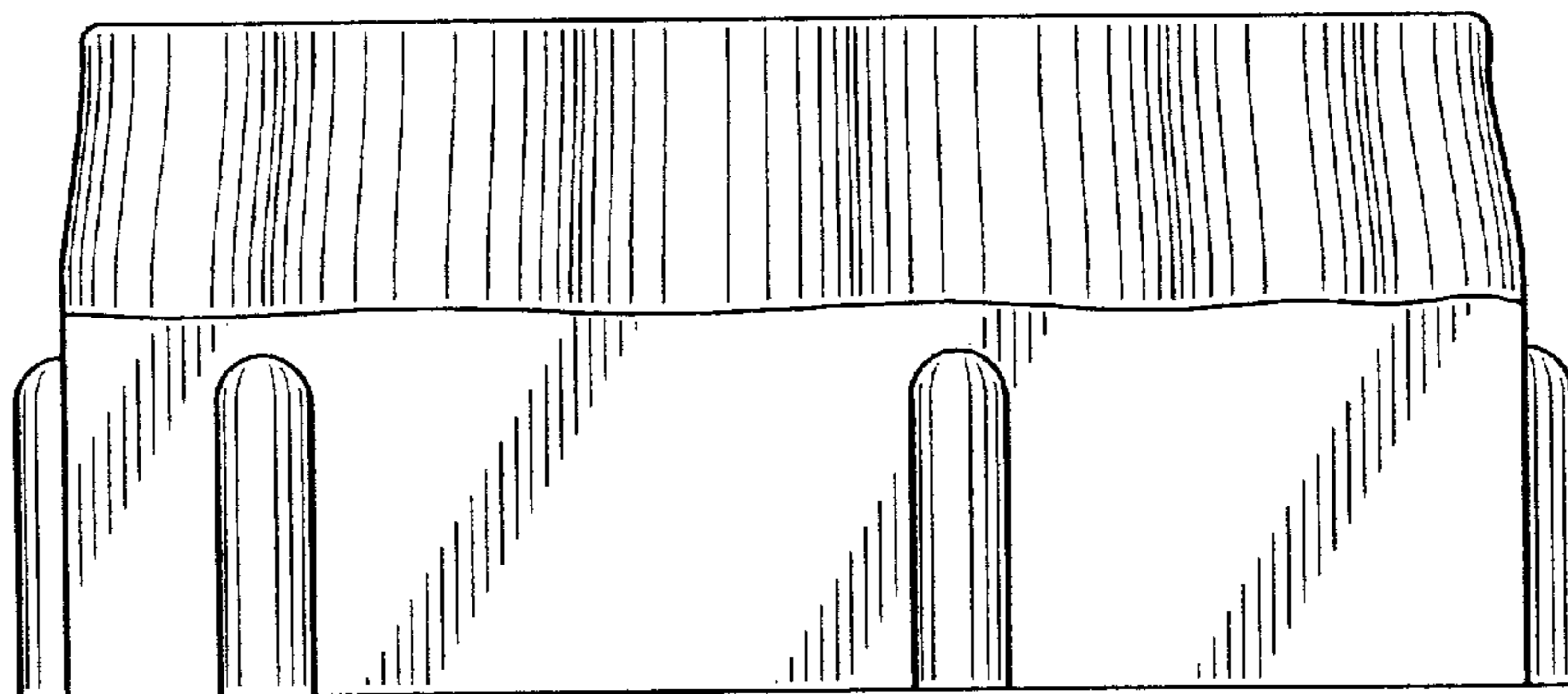


FIG. 4

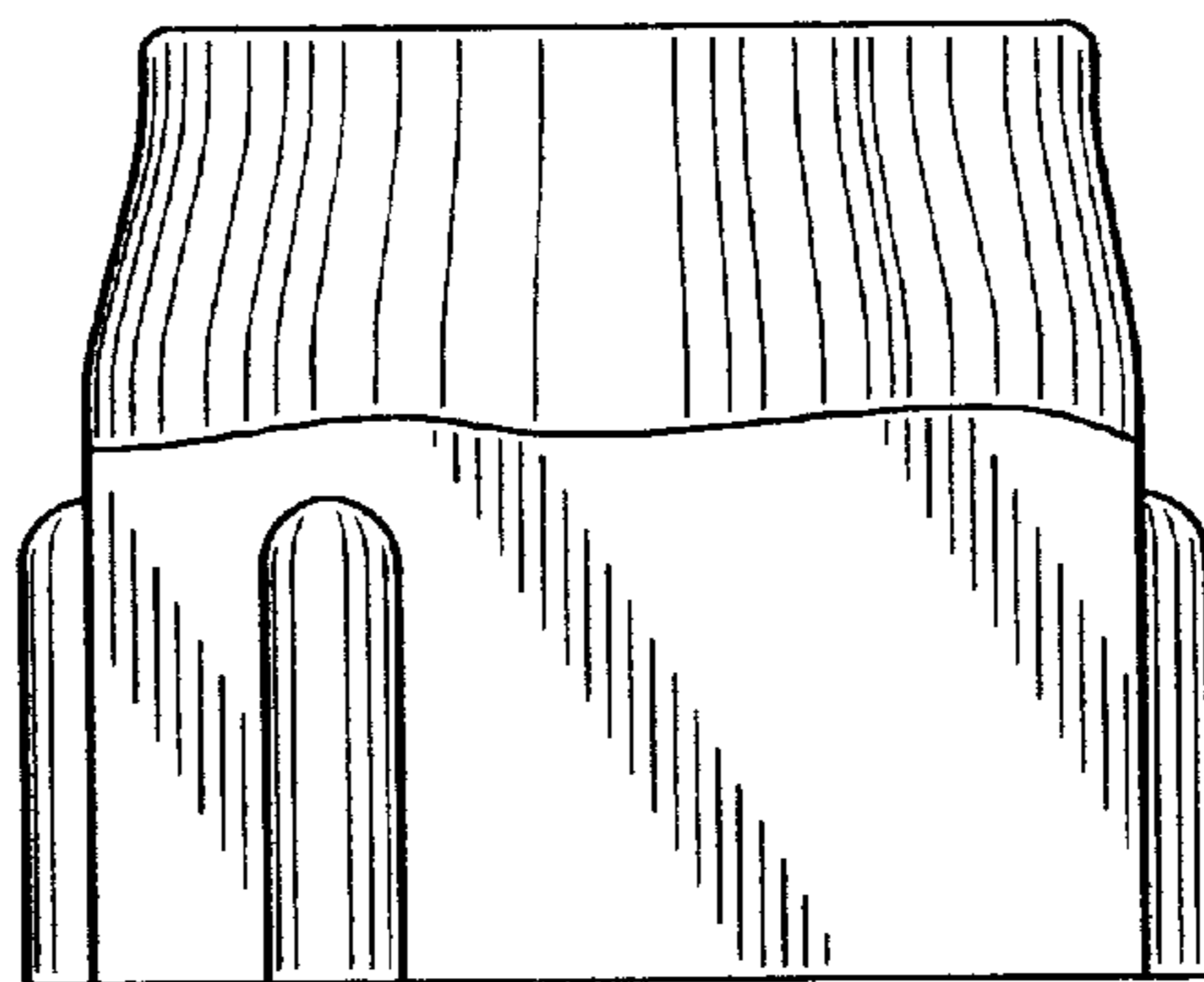


FIG. 5

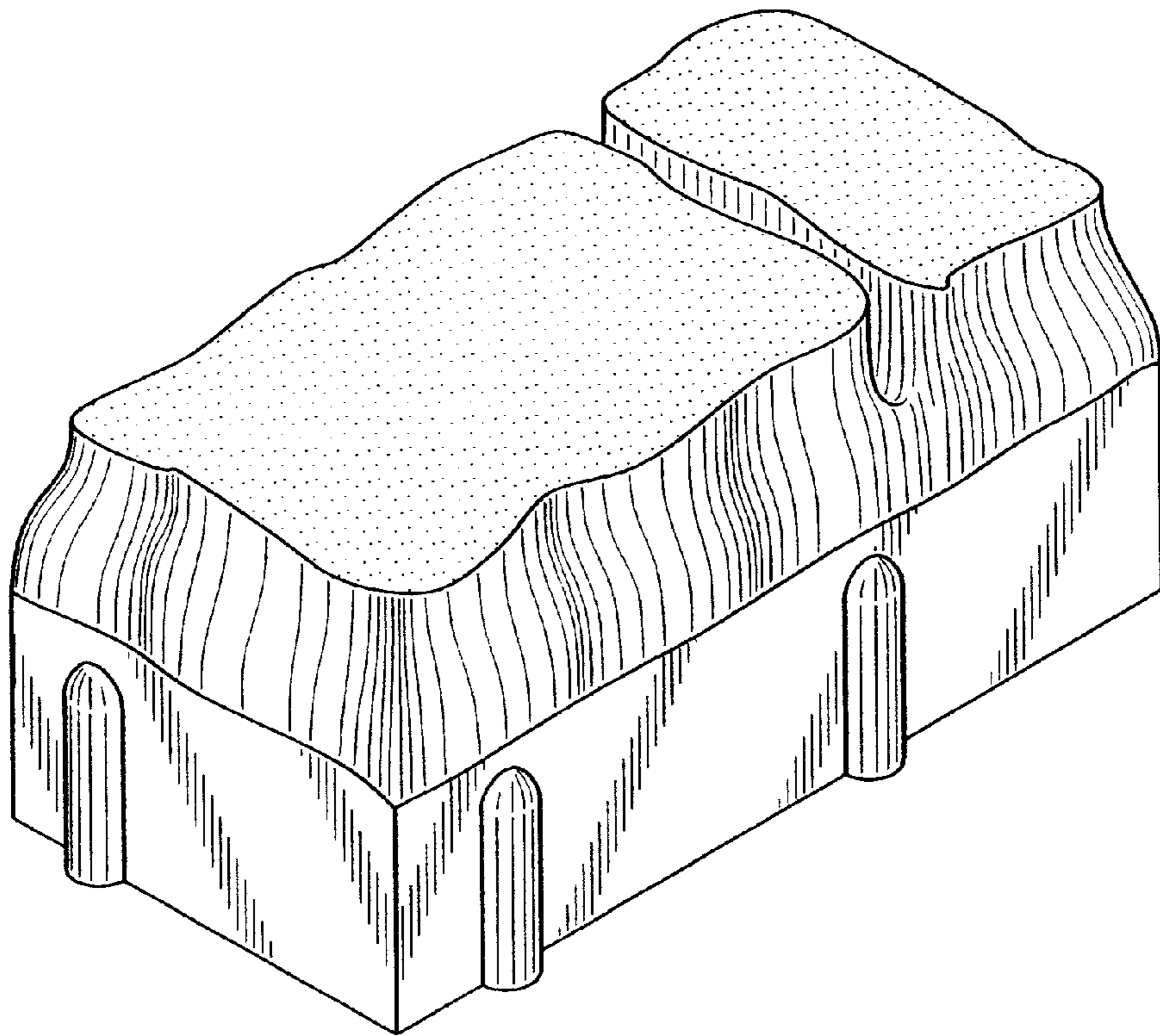


FIG. 6

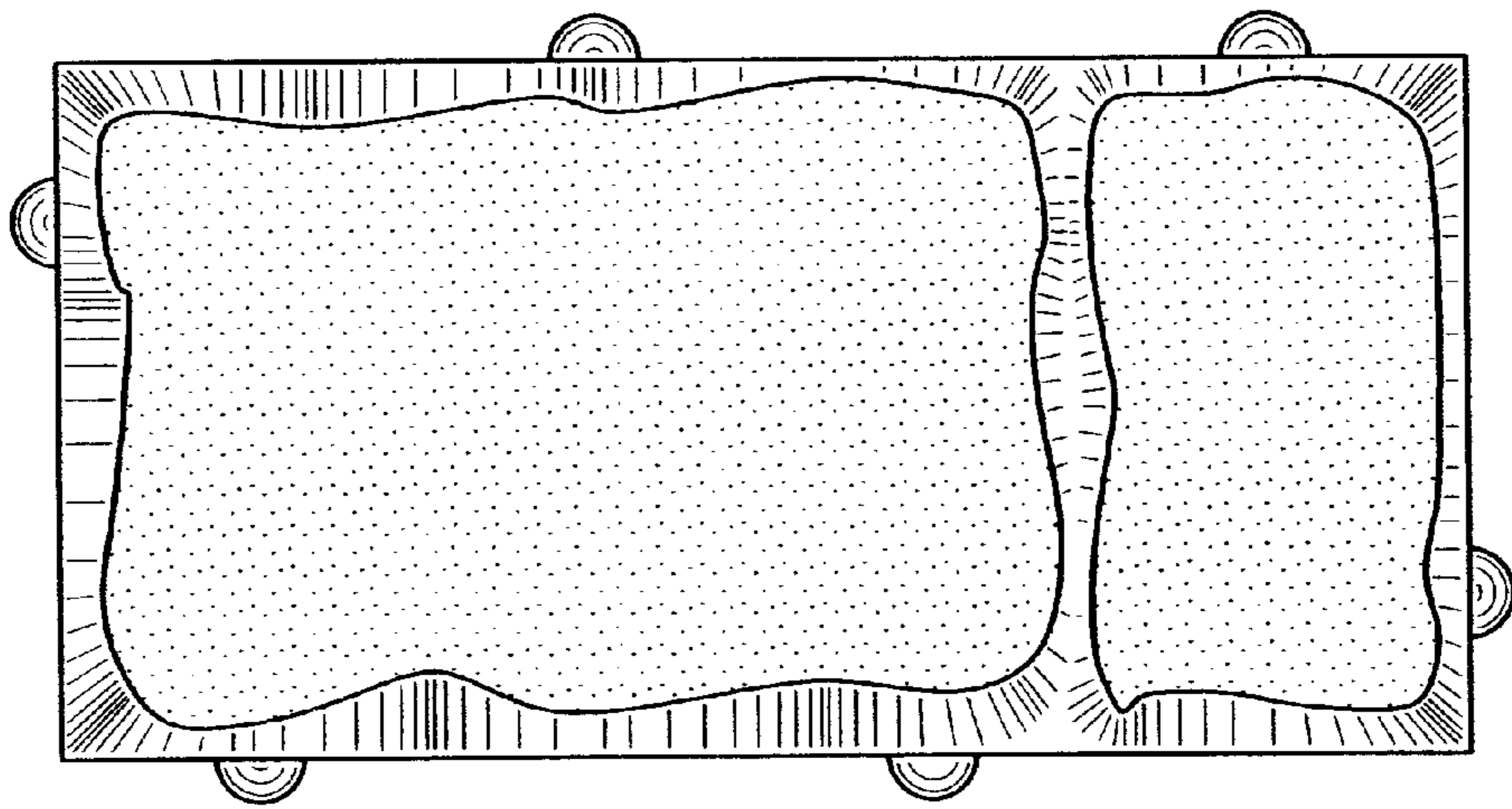


FIG. 7

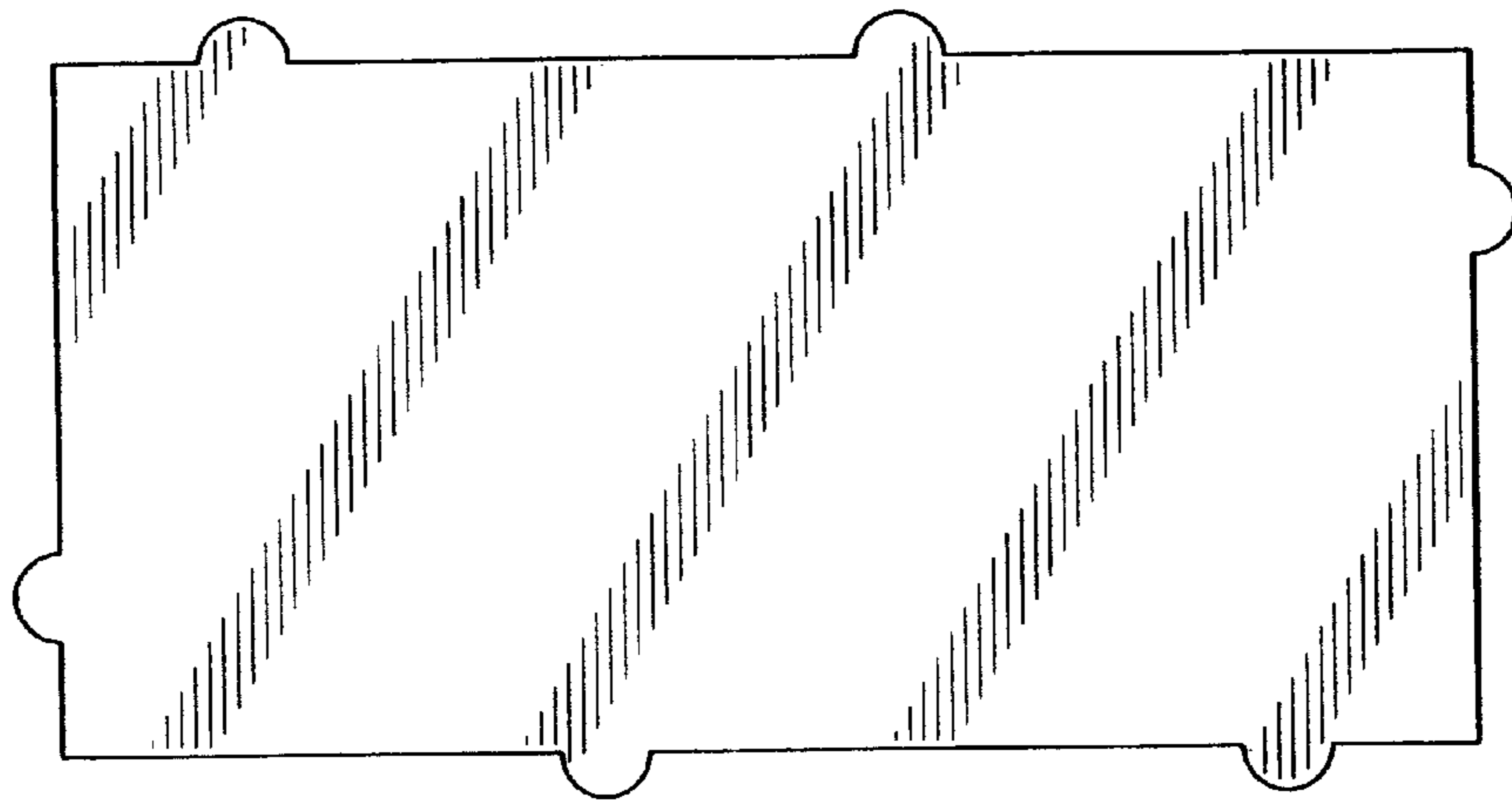


FIG. 8

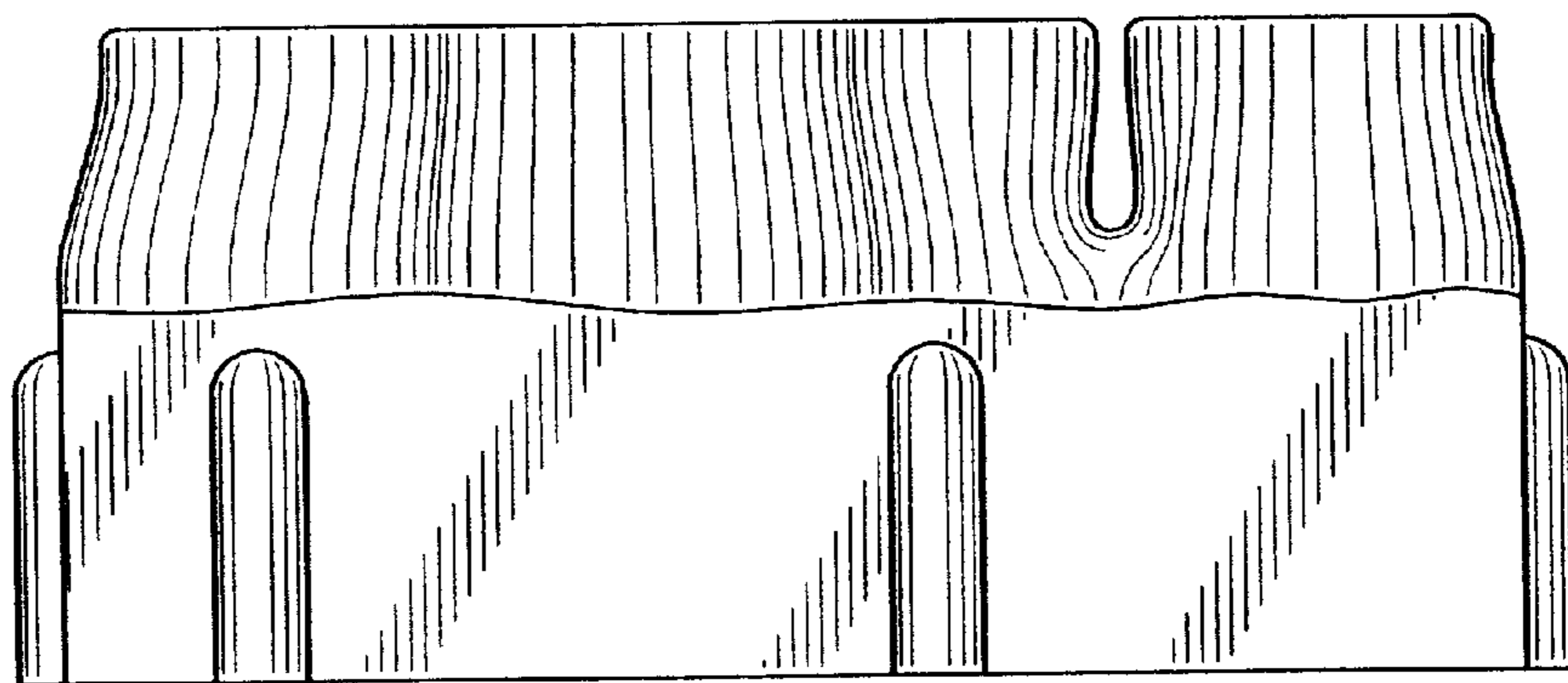


FIG. 9

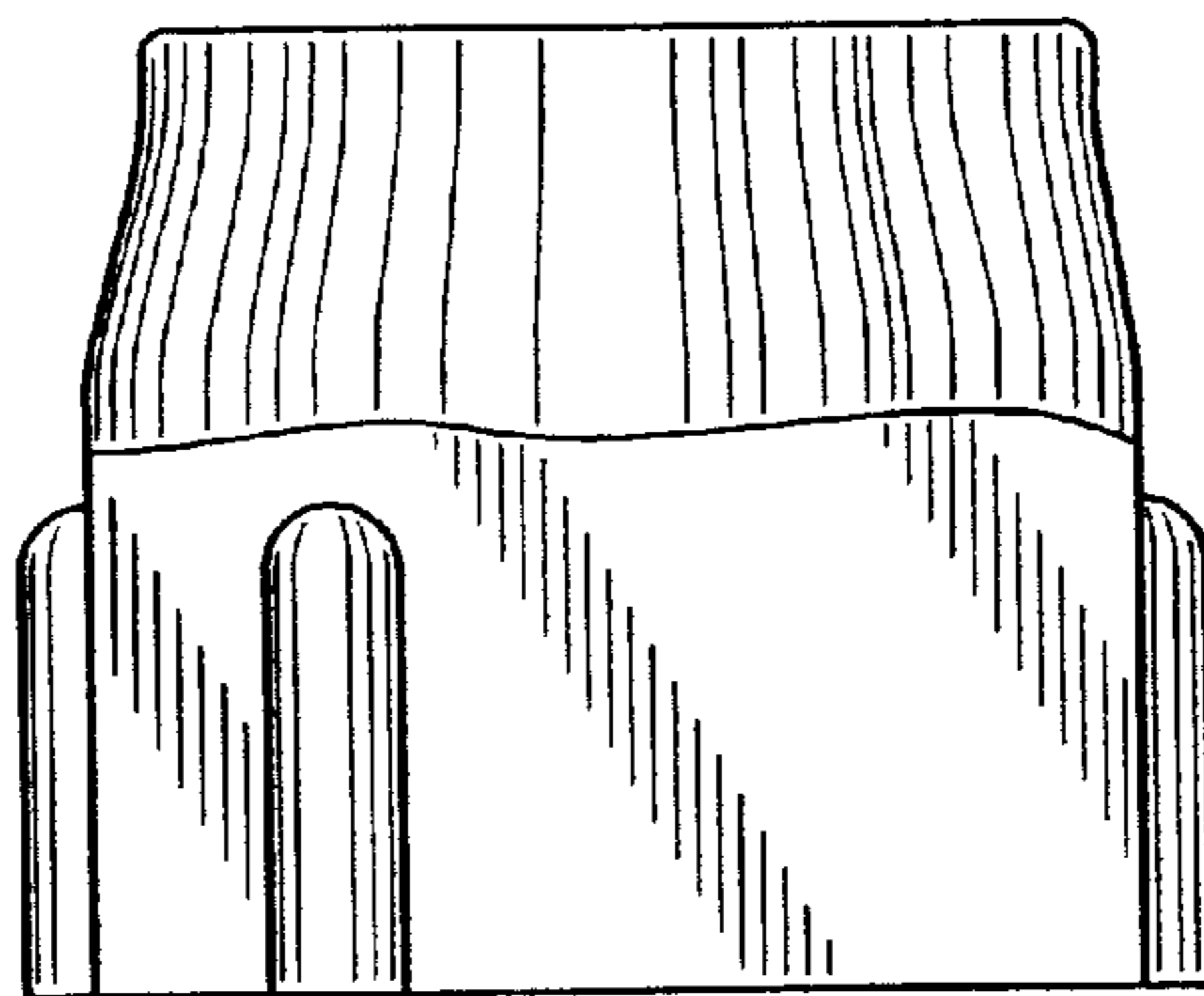


FIG. 10

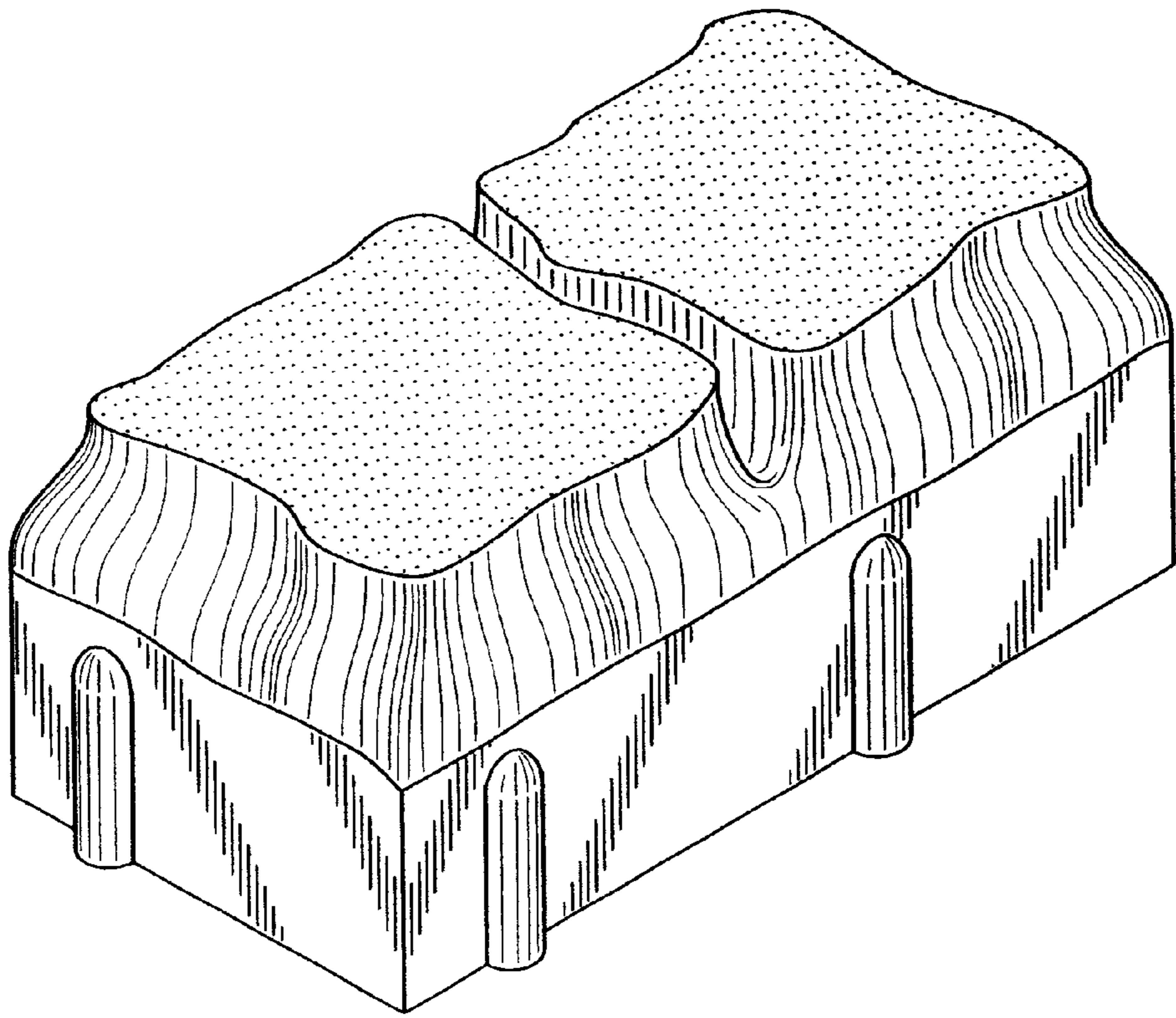


FIG. 11

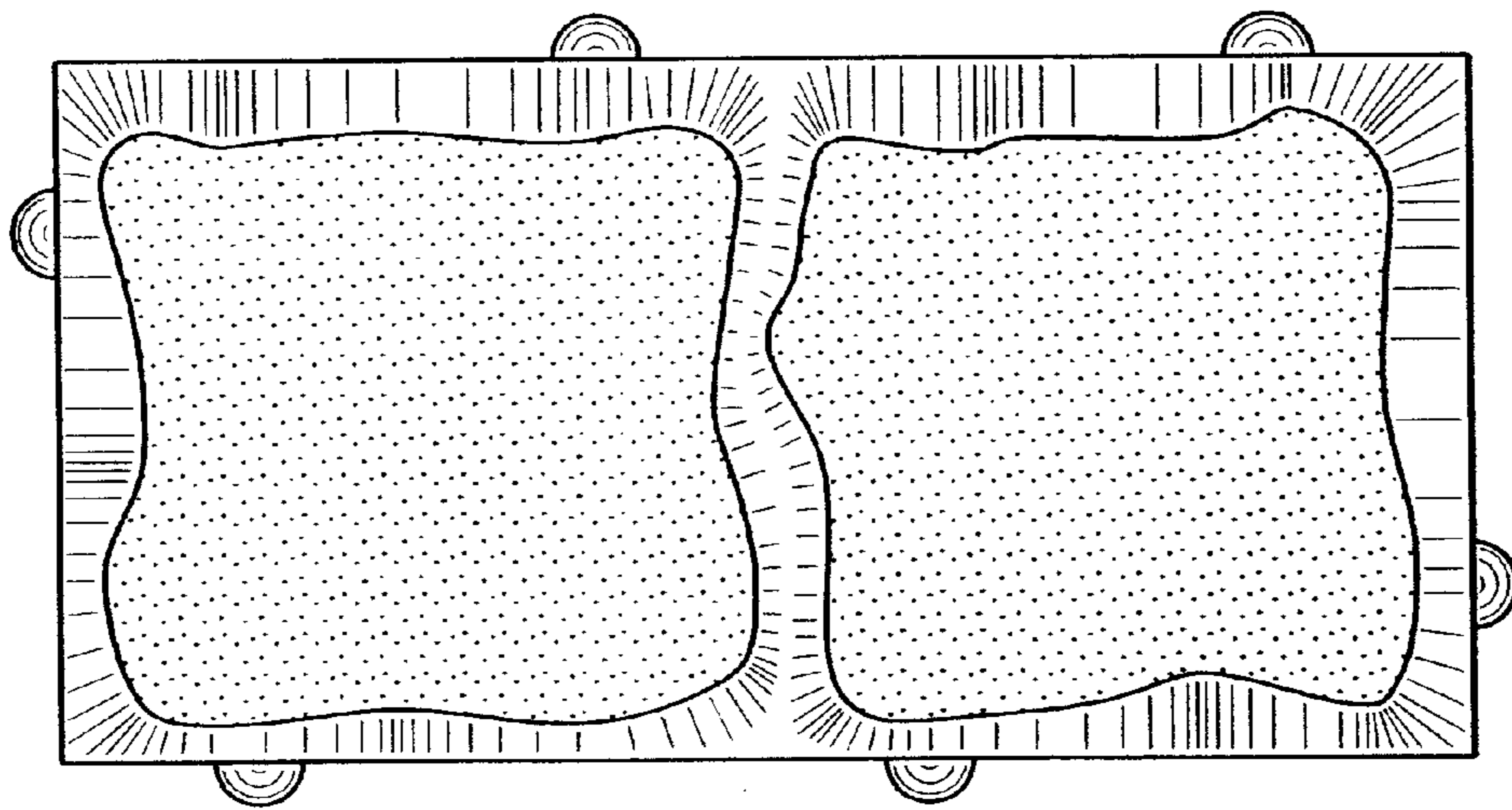


FIG. 12

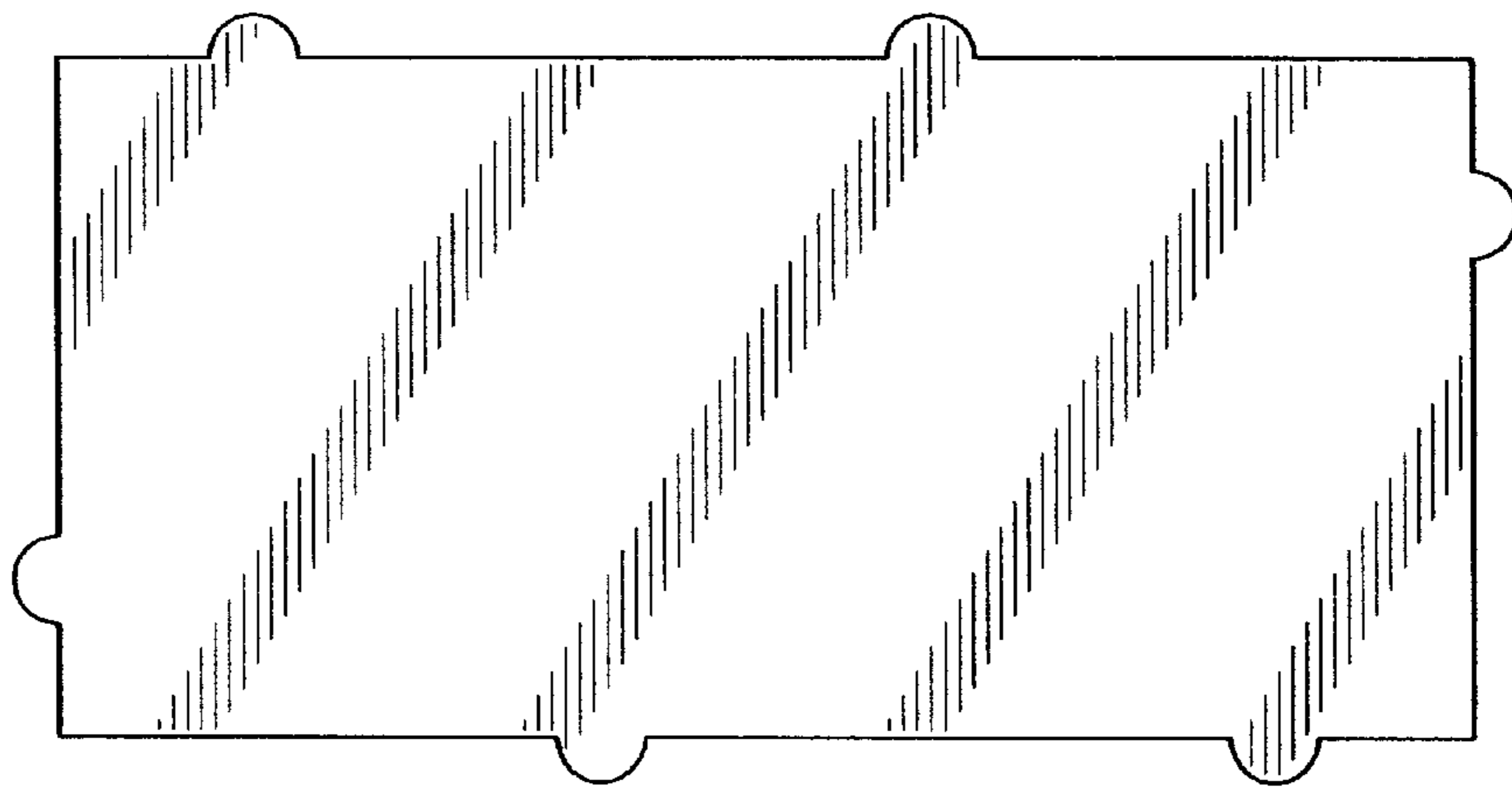


FIG. 13

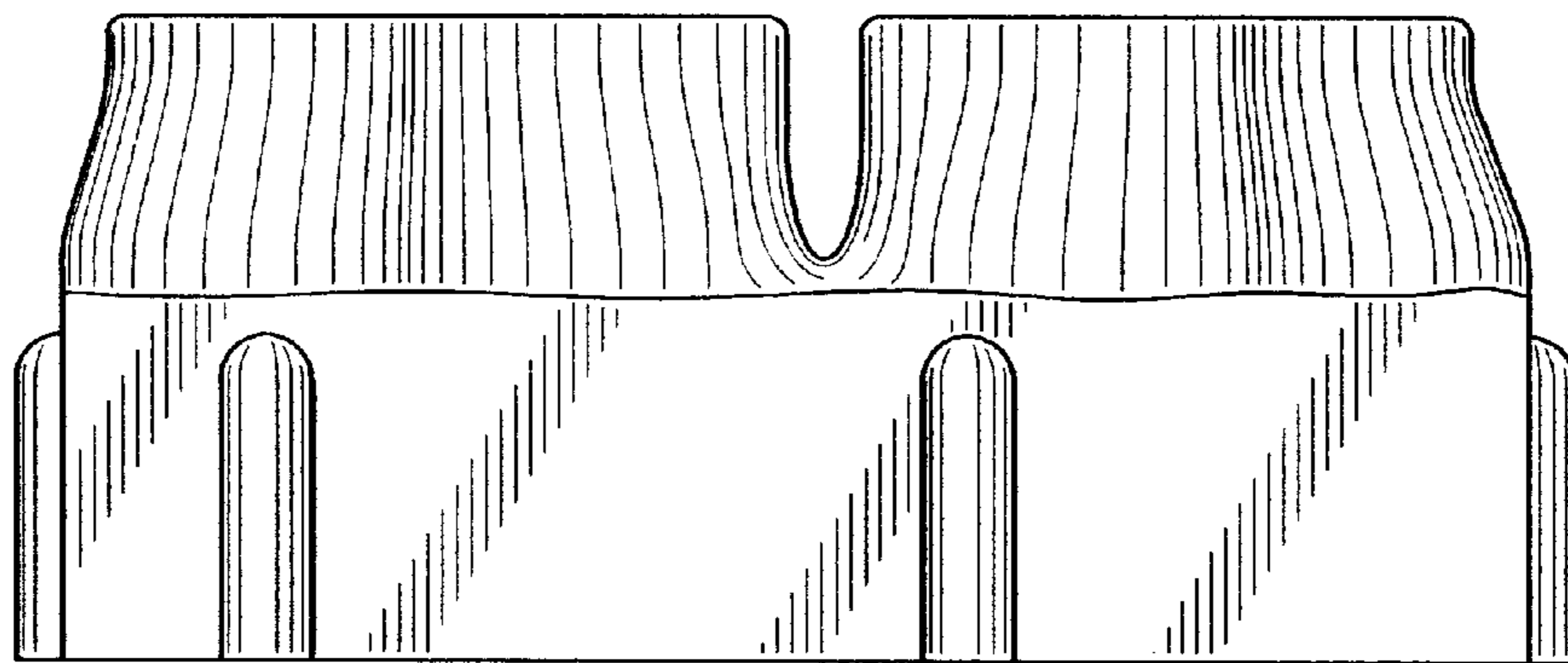


FIG. 14

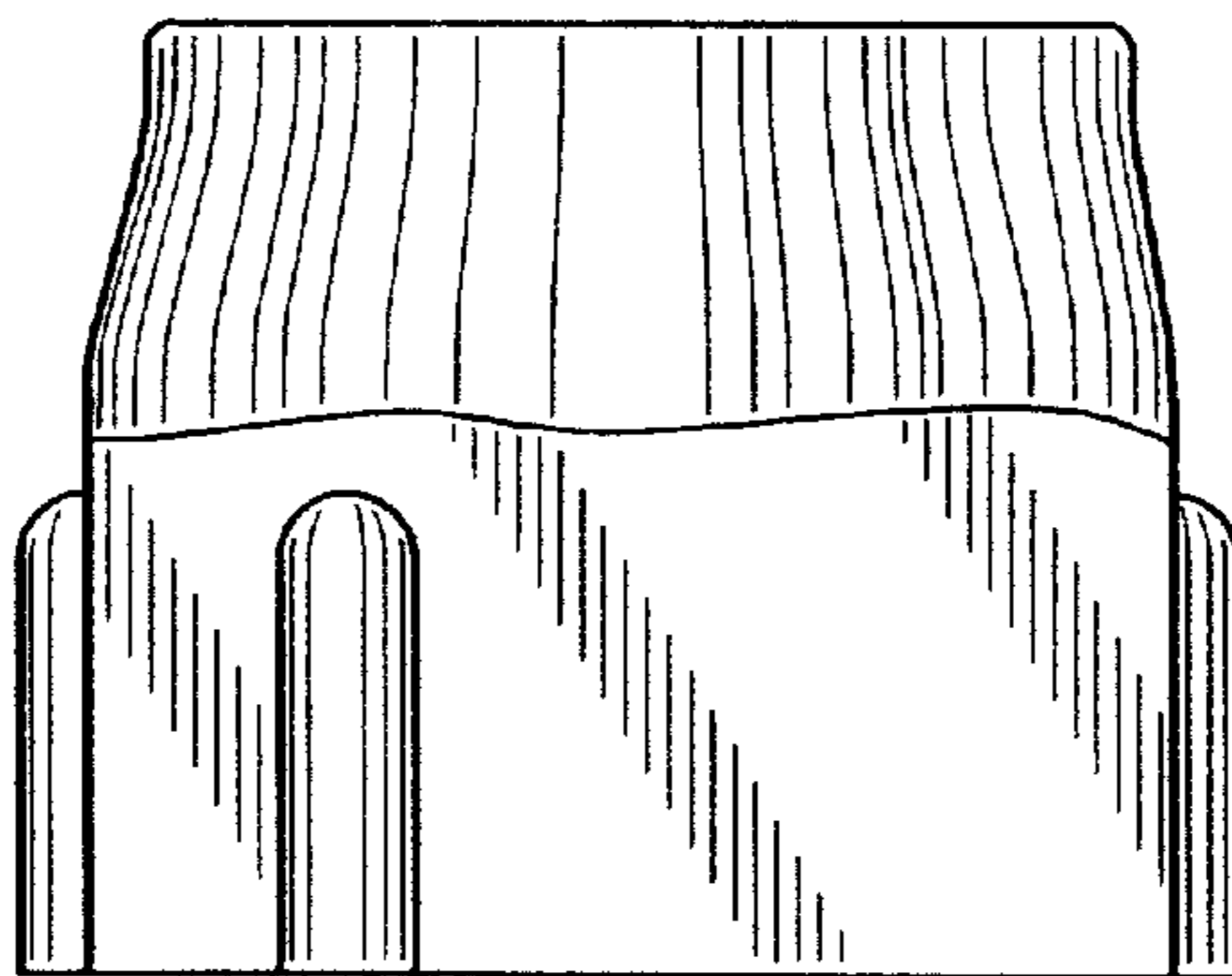


FIG. 15