



US00D442700S

(12) **United States Design Patent**
Schwartz et al.

(10) **Patent No.:** **US D442,700 S**

(45) **Date of Patent:** **** May 22, 2001**

(54) **INJECTED MOLDED ARBOR**

(75) Inventors: **Carl I. Schwartz**, Grand Blanc;
Marcee N. Milletics, Swartz Creek;
Christopher J. Waites, Frankenmuth;
David J. Stob, Auburn Hills, all of MI
(US)

(73) Assignee: **Plastics Research Corporation**, Flint,
MI (US)

(**) Term: **14 Years**

(21) Appl. No.: **29/122,767**

(22) Filed: **May 3, 2000**

(51) **LOC (7) Cl.** **08-99**

(52) **U.S. Cl.** **D25/100**

(58) **Field of Search** 47/44, 47; D25/102,
D25/100, 101, 18

(56) **References Cited**

U.S. PATENT DOCUMENTS

- D. 66,533 2/1925 George .
- D. 158,627 * 5/1950 Thompson 47/47
- D. 296,935 7/1988 Erceg .
- 317,939 5/1885 Halfpenny .
- D. 328,138 7/1992 Nadherny-Borutin .
- D. 333,280 2/1993 Rago et al. .

- D. 360,474 7/1995 Kern et al. .
- D. 361,391 8/1995 Goldman .
- D. 396,304 7/1998 Hollinger .
- D. 417,289 11/1999 Rehmert et al. .
- 1,300,775 * 4/1919 Reed 47/44
- 1,336,580 4/1920 Parr .
- 4,333,287 6/1982 Lewis .
- 4,646,468 3/1987 Erceg .
- 5,913,477 6/1999 Dean .

* cited by examiner

Primary Examiner—Doris Clark

(74) *Attorney, Agent, or Firm*—Brooks & Kushman P.C.

(57) **CLAIM**

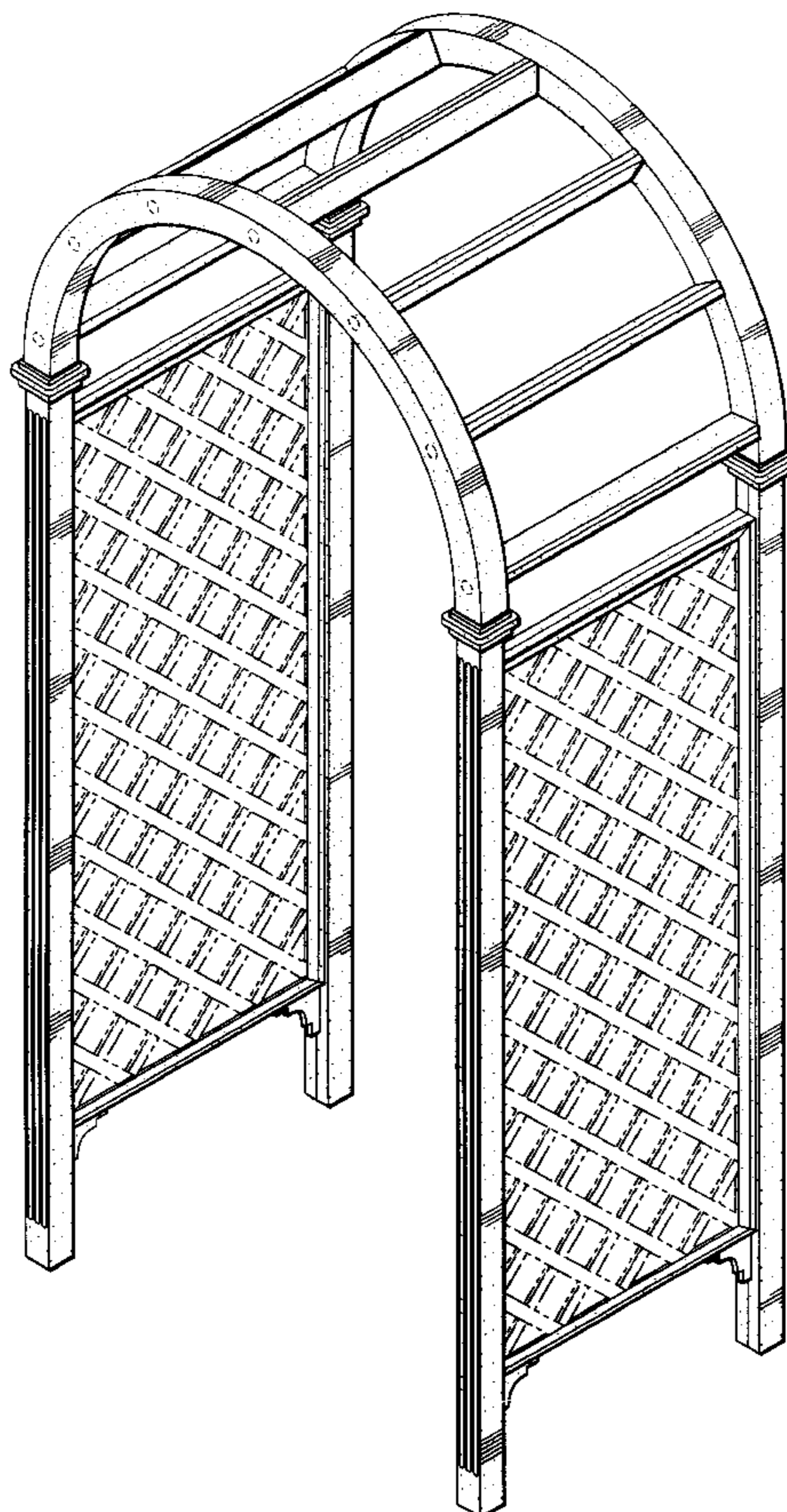
The ornamental design for an injected molded arbor, as shown and described.

DESCRIPTION

FIG. 1 is a front perspective view of the injected molded arbor, wherein the lattice between the posts is in phantom; FIG. 2 is a front view; FIG. 3 is a side view, both sides being mirror images of the other, wherein the lattice between the posts is in phantom; FIG. 4 is a top plan view; and, FIG. 5 is a bottom plan view.

The broken lines are for illustrative purposes only and form no part of the claimed design.

1 Claim, 4 Drawing Sheets



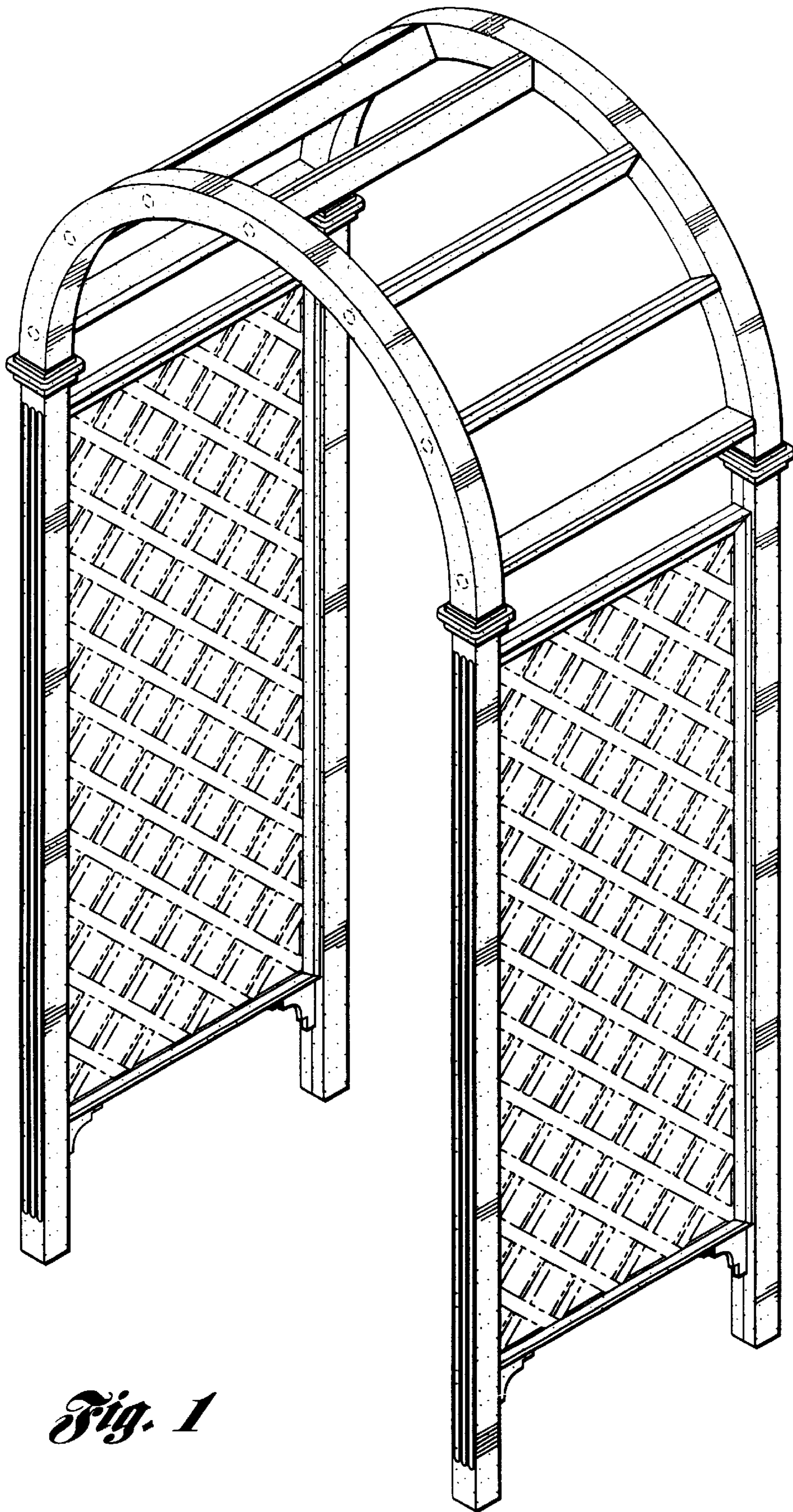


Fig. 1

Fig. 2

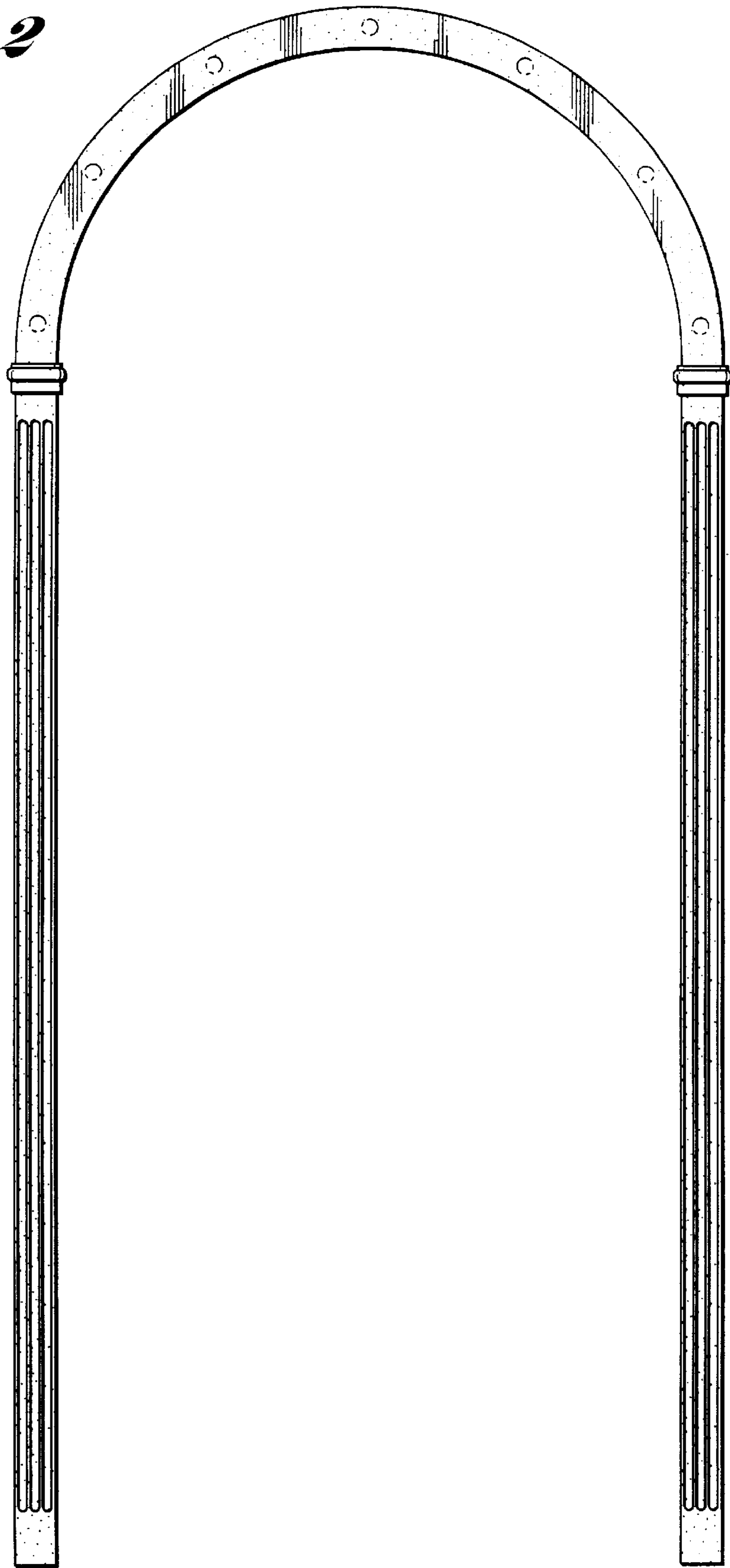
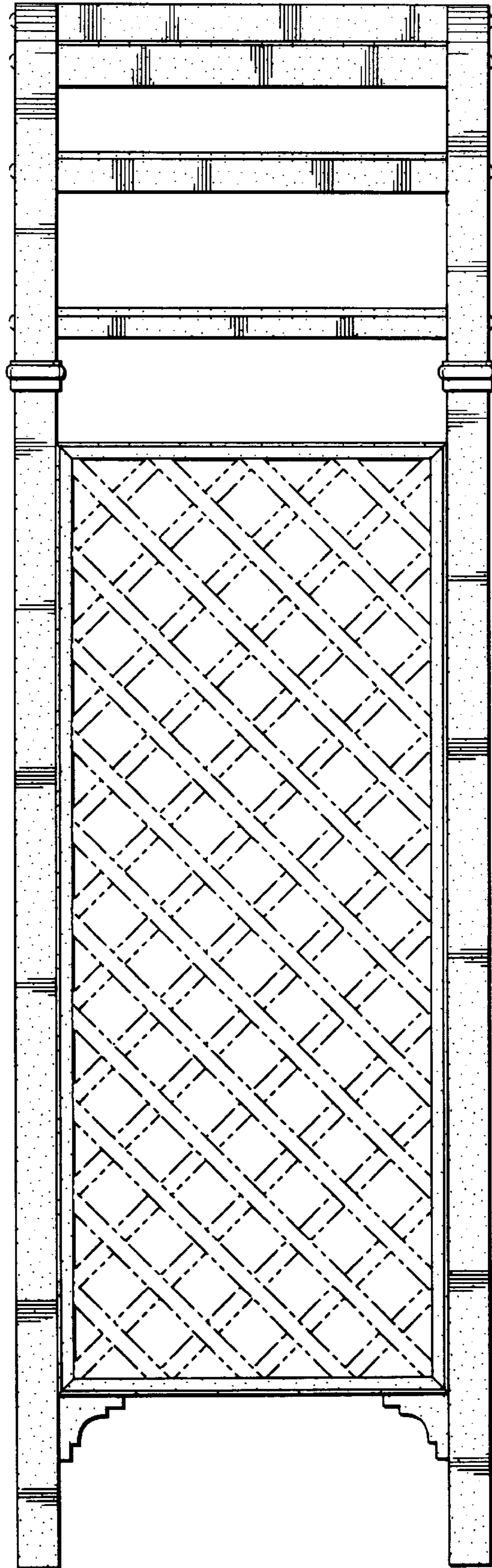


Fig. 3



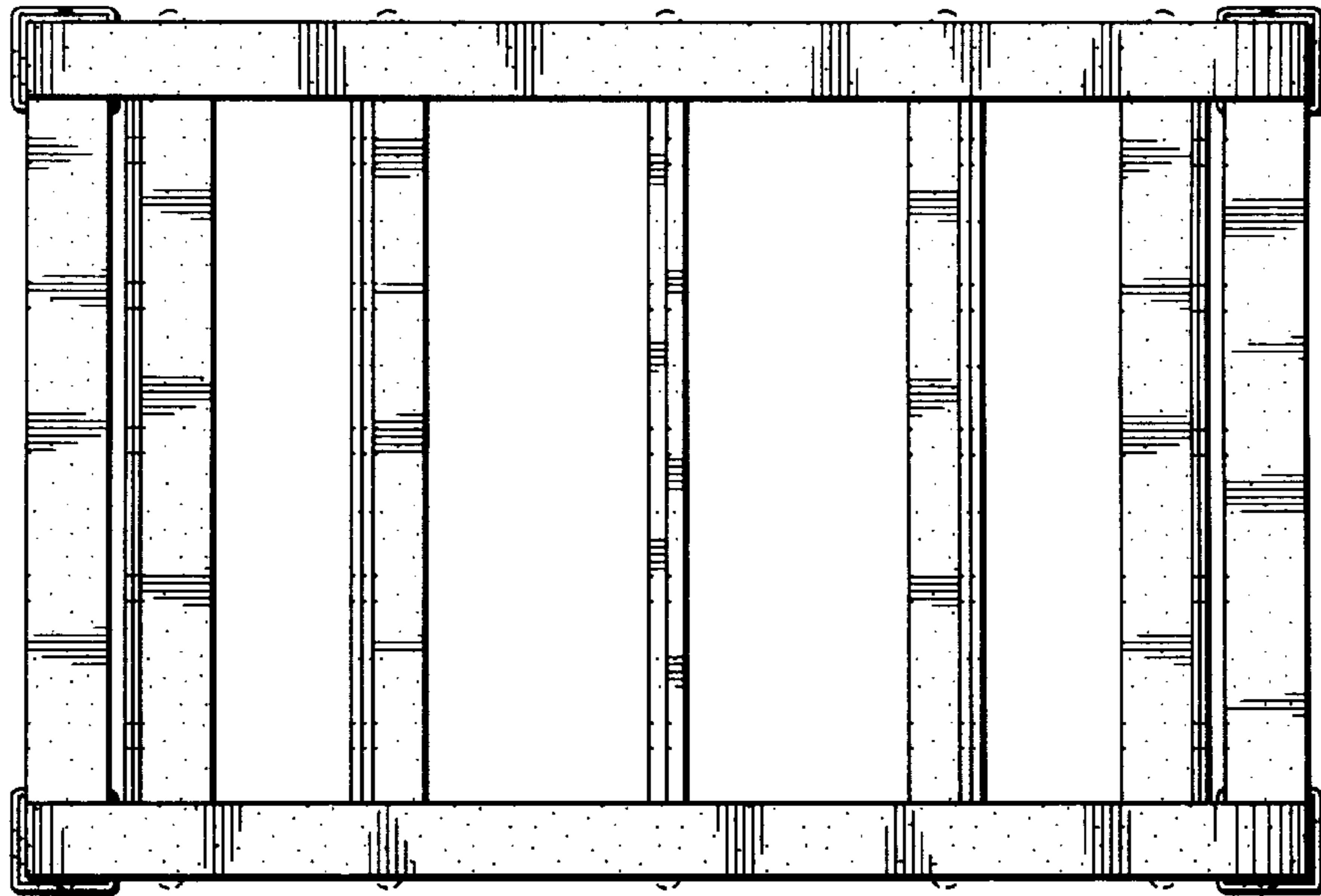


Fig. 4

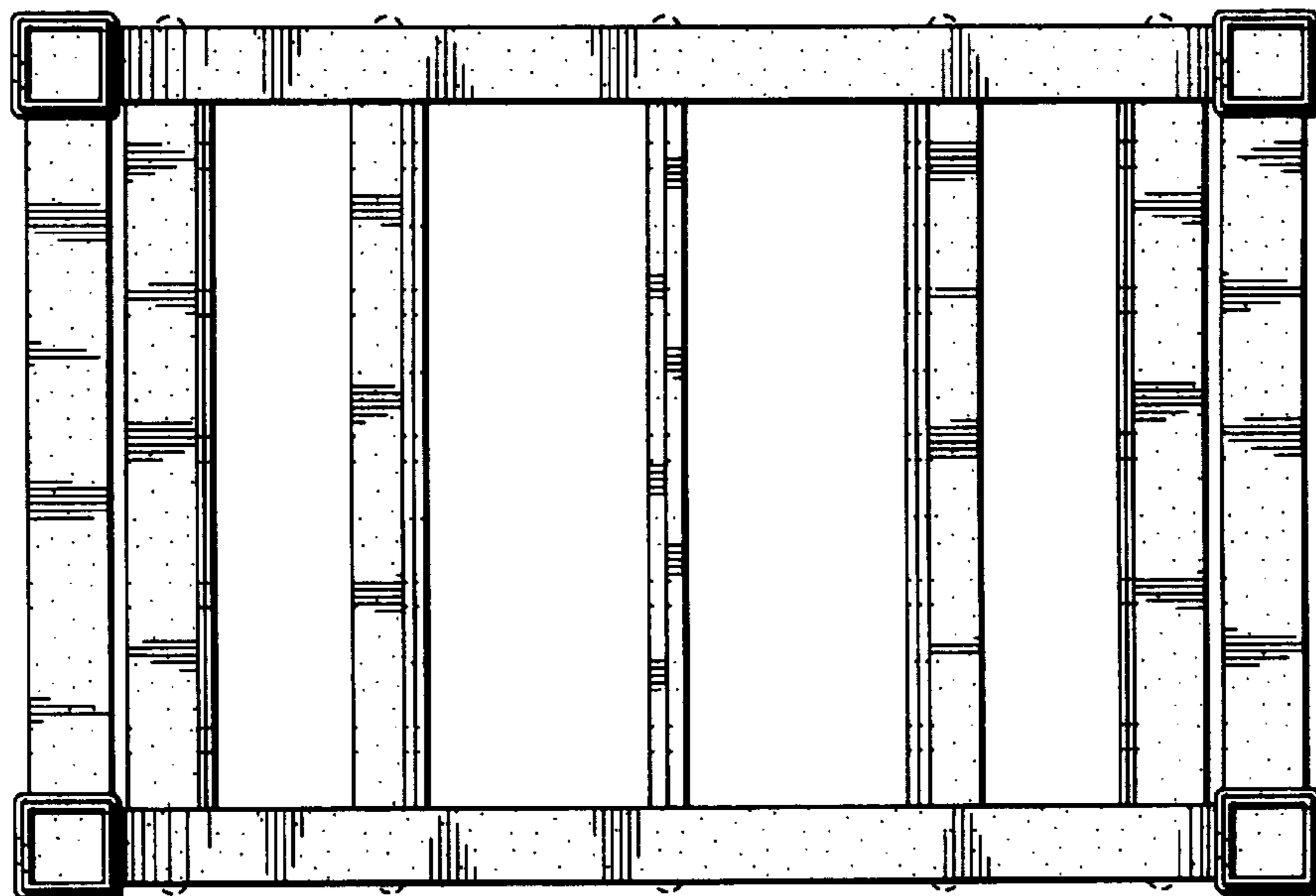


Fig. 5