



US00D442699S

(12) **United States Design Patent**  
**Myer, III**

(10) **Patent No.:** **US D442,699 S**

(45) **Date of Patent:** **\*\* May 22, 2001**

(54) **DEER STAND**

(76) Inventor: **Marvin E. Myer, III**, 1141 Whitehead  
La., Jackson, AL (US) 36545-9321

(\*\*) Term: **14 Years**

(21) Appl. No.: **29/132,329**

(22) Filed: **Nov. 7, 2000**

(51) **LOC (7) Cl.** ..... **25-04**

(52) **U.S. Cl.** ..... **D25/62; D25/64**

(58) **Field of Search** ..... D25/64, 62; 248/210,  
248/519; 182/222, 150, 116, 187

(56) **References Cited**

**U.S. PATENT DOCUMENTS**

D. 334,731	*	4/1993	McCarty	.....	D25/62
D. 396,303	*	7/1998	Odom et al.	.....	D25/62
4,139,080	*	2/1979	Wells	.....	182/115
5,590,738	*	1/1997	Hunt et al.	.....	182/116

\* cited by examiner

*Primary Examiner*—Doris Clark

(74) *Attorney, Agent, or Firm*—Christopher A. Holland;  
Burr & Forman LLP

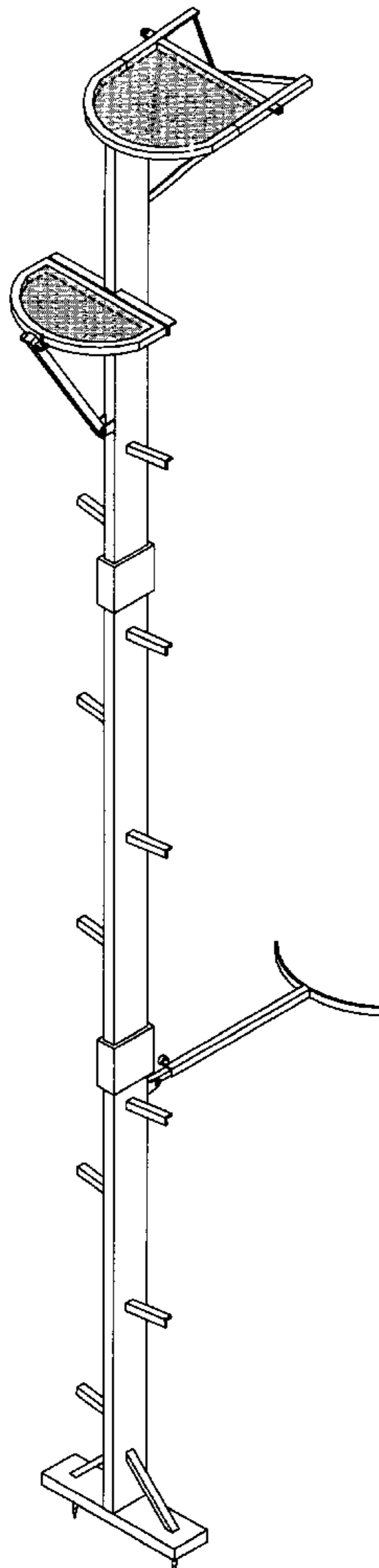
(57) **CLAIM**

The ornamental design for a deer stand, as shown and described.

**DESCRIPTION**

FIG. 1 is a front perspective view of the design of the deer stand of the present invention;  
 FIG. 2 is a front elevational view of the present invention with the foot stand in a lowered position;  
 FIG. 3 is a front elevational view of the present invention;  
 FIG. 4 is a rear elevational view of the present invention;  
 FIG. 5 is a top plan view of the present invention;  
 FIG. 6 is a bottom view of the present invention;  
 FIG. 7 is a right-side elevational view of the present invention with a foot stand in a raised position;  
 FIG. 8 is a left-side elevational view of the present invention with a foot stand in a raised position; and,  
 FIG. 9 is a side elevational view of the present invention with the foot stand in a lowered position as illustrated in FIG. 2.

**1 Claim, 9 Drawing Sheets**



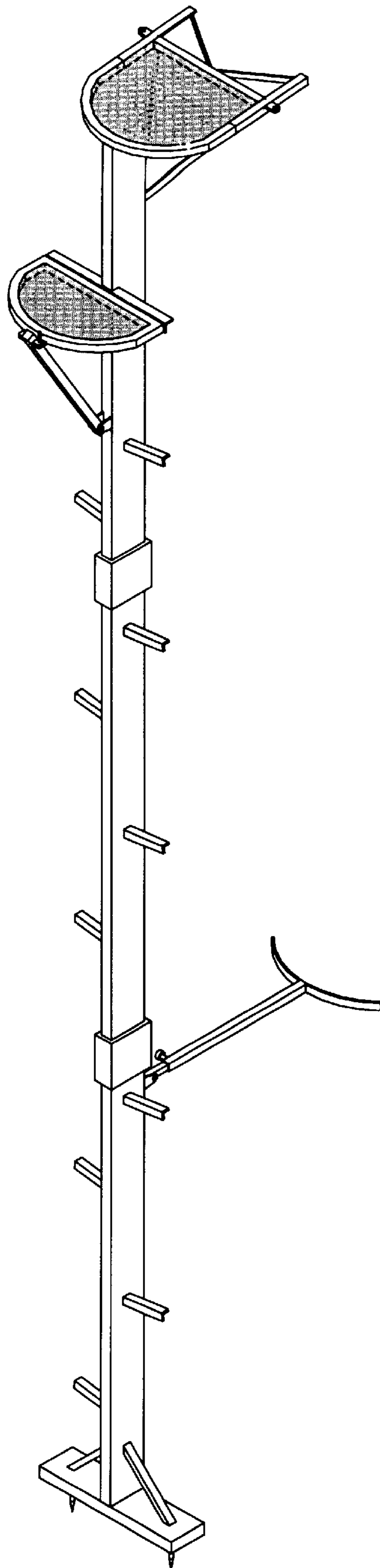


FIG. 1

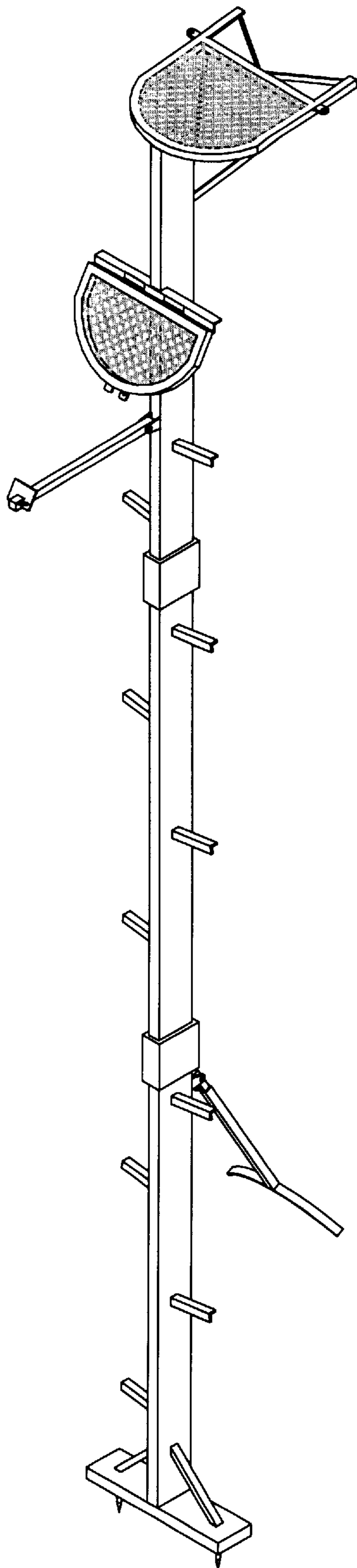


FIG. 2

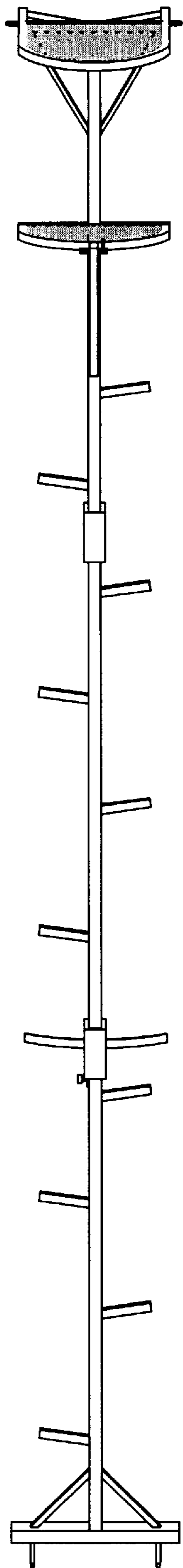


FIG. 3

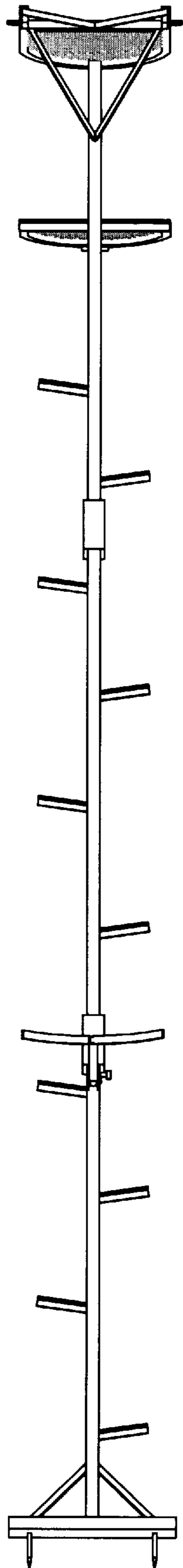


FIG. 4

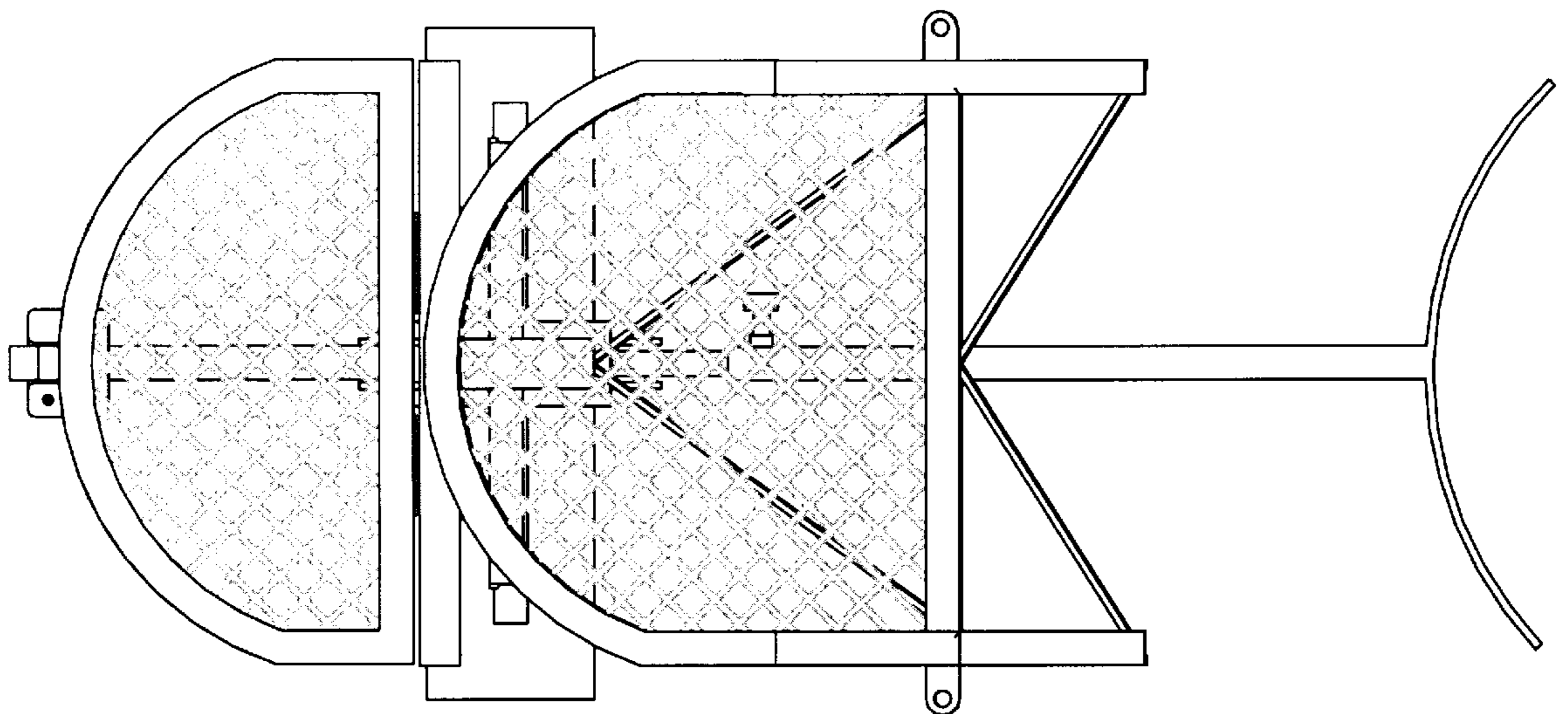


FIG. 5



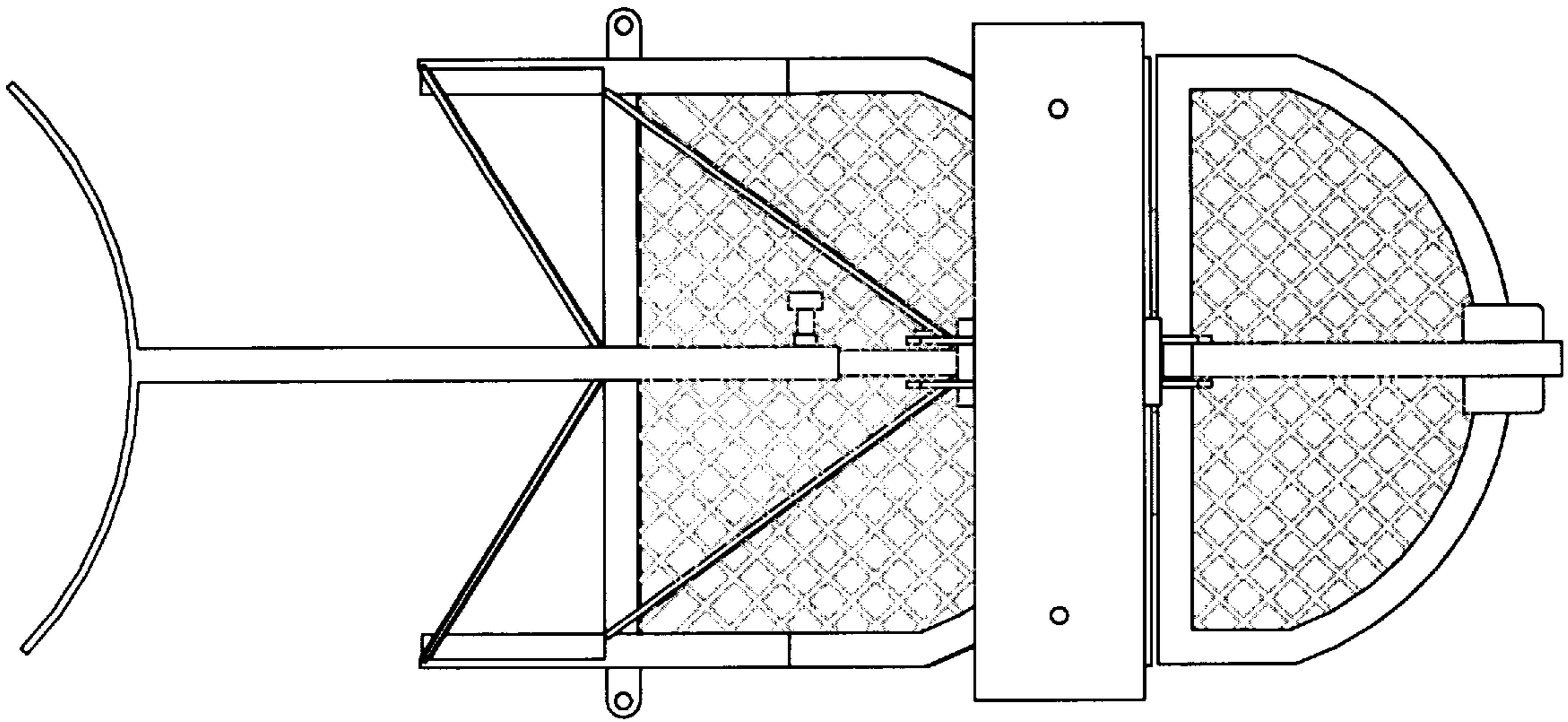


FIG. 6

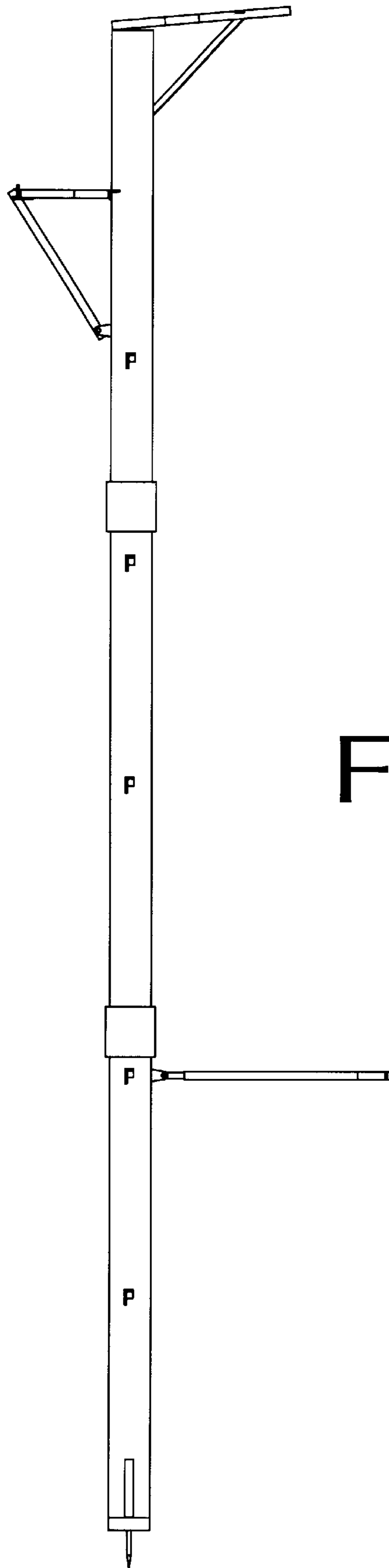


FIG. 7



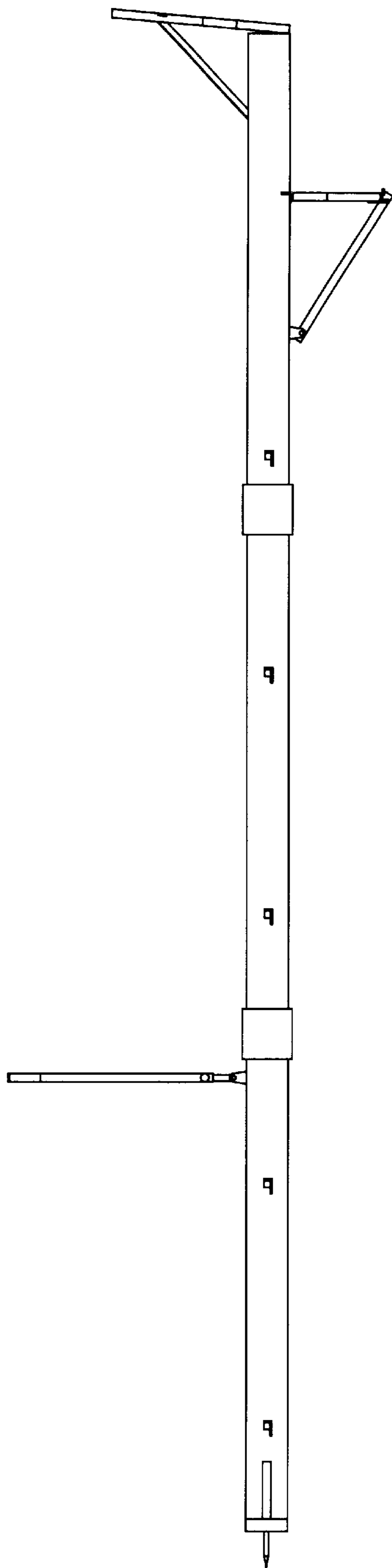


FIG. 8

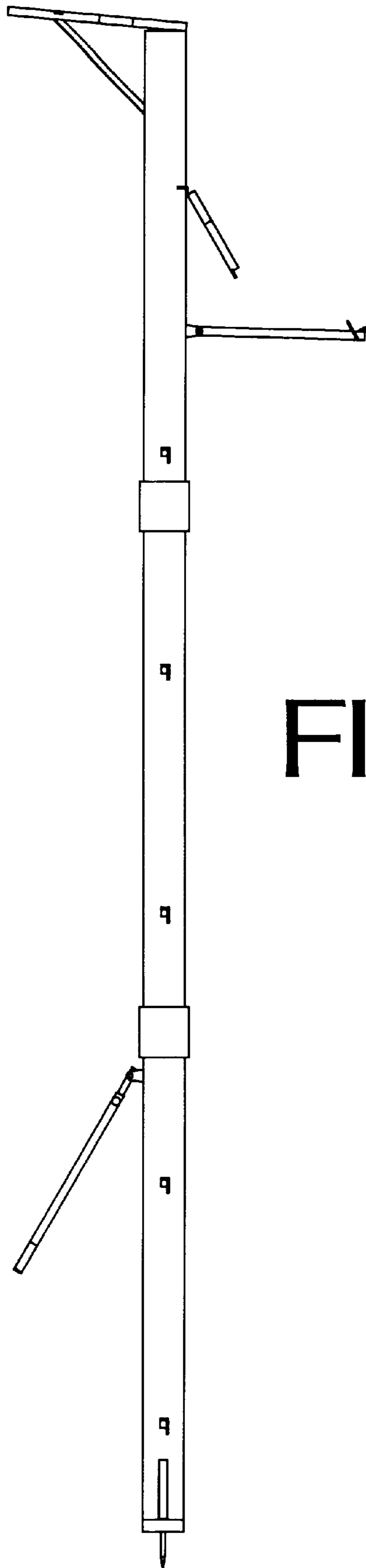


FIG. 9