



US00D442691S

(12) **United States Design Patent**
Michelson

(10) **Patent No.:** **US D442,691 S**

(45) **Date of Patent:** **** May 22, 2001**

(54) **TRAILING END OF A SPINAL IMPLANT**

(76) Inventor: **Gary K. Michelson**, 438 Sherman Canal, Venice, CA (US) 90291

(**) Term: **14 Years**

(21) Appl. No.: **29/130,269**

(22) Filed: **Sep. 28, 2000**

(51) **LOC (7) Cl.** **24-03**

(52) **U.S. Cl.** **D24/155**

(58) **Field of Search** D24/155; 606/60, 606/61, 72, 73; 134/3, 32, 41; 128/92 R, 926; 623/10, 11, 12, 16, 17, 66

(56) **References Cited**

U.S. PATENT DOCUMENTS

D. 377,095	12/1996	Michelson .	
D. 377,096	12/1996	Michelson .	
D. 397,439	8/1998	Koros et al. .	
D. 425,989	5/2000	Michelson .	
4,501,269	2/1985	Bagby .	
4,704,126	11/1987	Baswell et al. .	
5,015,247	5/1991	Michelson .	
5,776,196	7/1998	Matsuzaki et al. .	
5,860,973	1/1999	Michelson .	
6,019,792 *	2/2000	Cauthen	623/17

* cited by examiner

Primary Examiner—Antoine Duval Davis

(74) *Attorney, Agent, or Firm*—Martin & Ferraro, LLP

(57) **CLAIM**

The design for trailing end of a spinal implant, substantially as shown and described.

DESCRIPTION

FIG. 1 is a perspective view of the trailing end of a spinal implant in accordance with the first embodiment of my claimed design with the remainder of the implant shown in hidden line and forming no part of the claimed design;

FIG. 2 is an end view of FIG. 1;

FIG. 3 is a side elevational view of FIG. 1 with the remainder of the implant shown in hidden line and forming no part of the claimed design;

FIG. 4 is a perspective view of the trailing end of a spinal implant in accordance with a second embodiment of my claimed design with the remainder of the implant shown in hidden line and forming no part of the claimed design;

FIG. 5 is an end view of FIG. 4; and,

FIG. 6 is a side elevational view of FIG. 4 with the remainder of the implant shown in hidden line and forming no part of the claimed design.

1 Claim, 2 Drawing Sheets

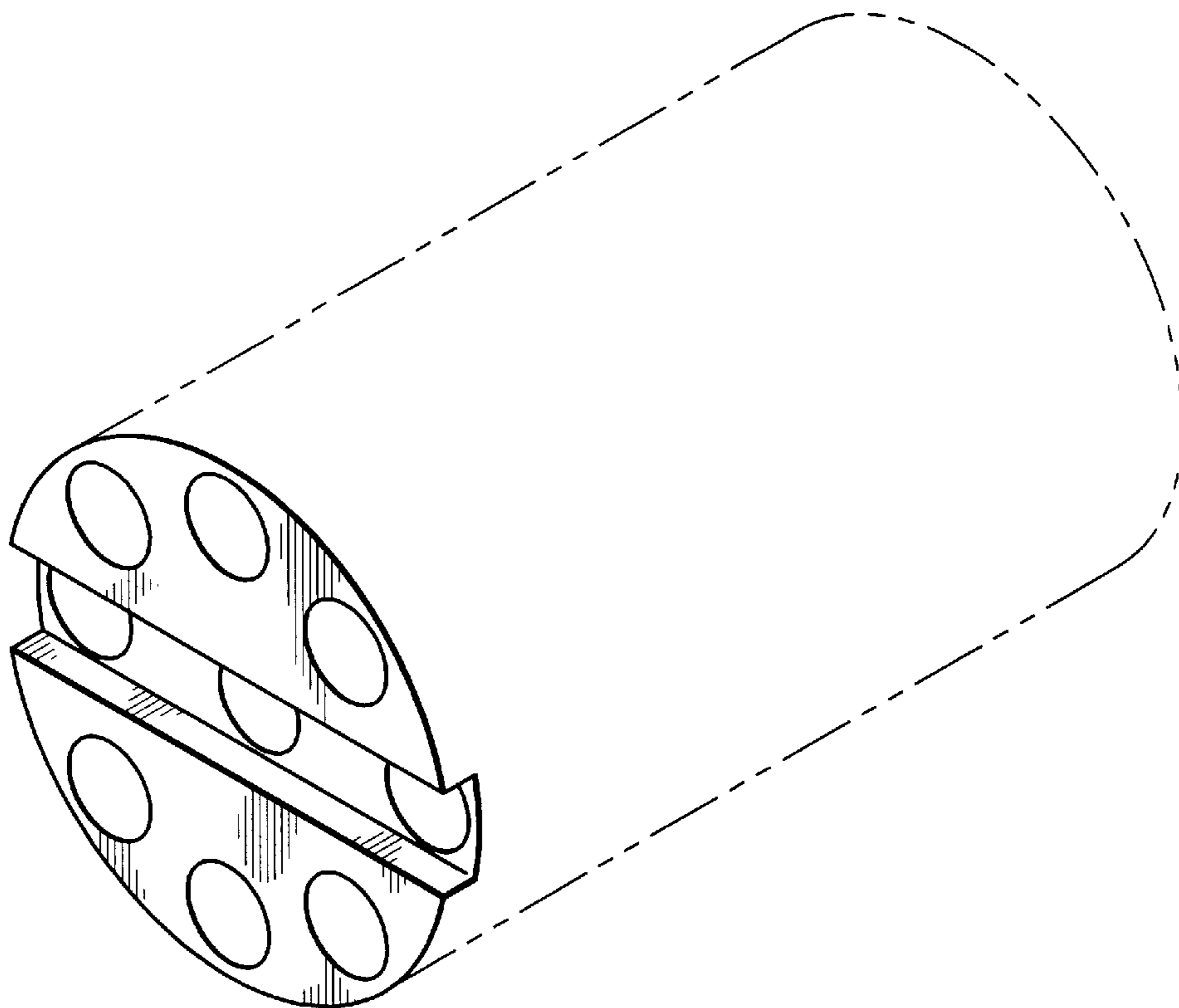


FIG. 1

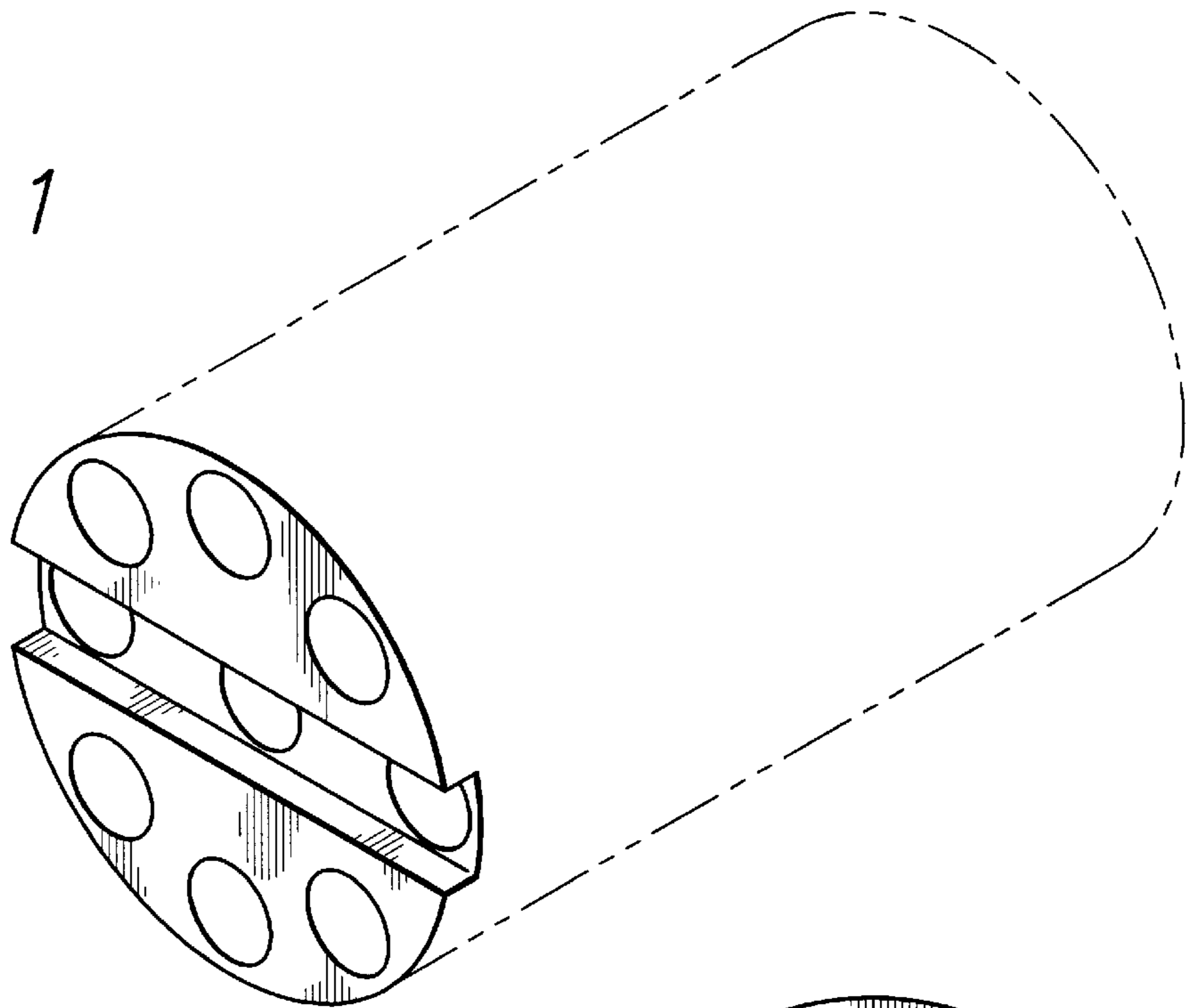


FIG. 2

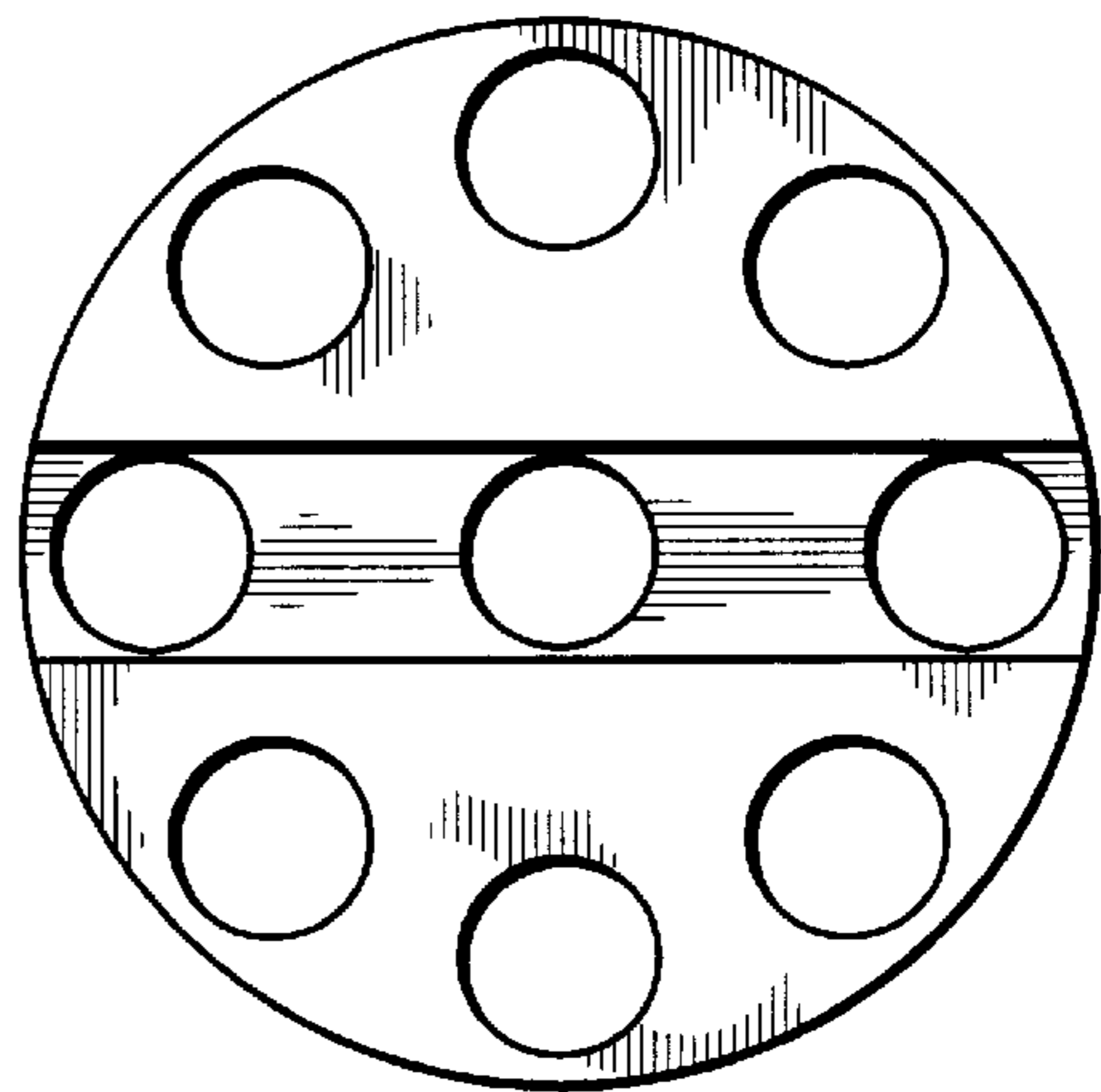


FIG. 3



FIG. 4

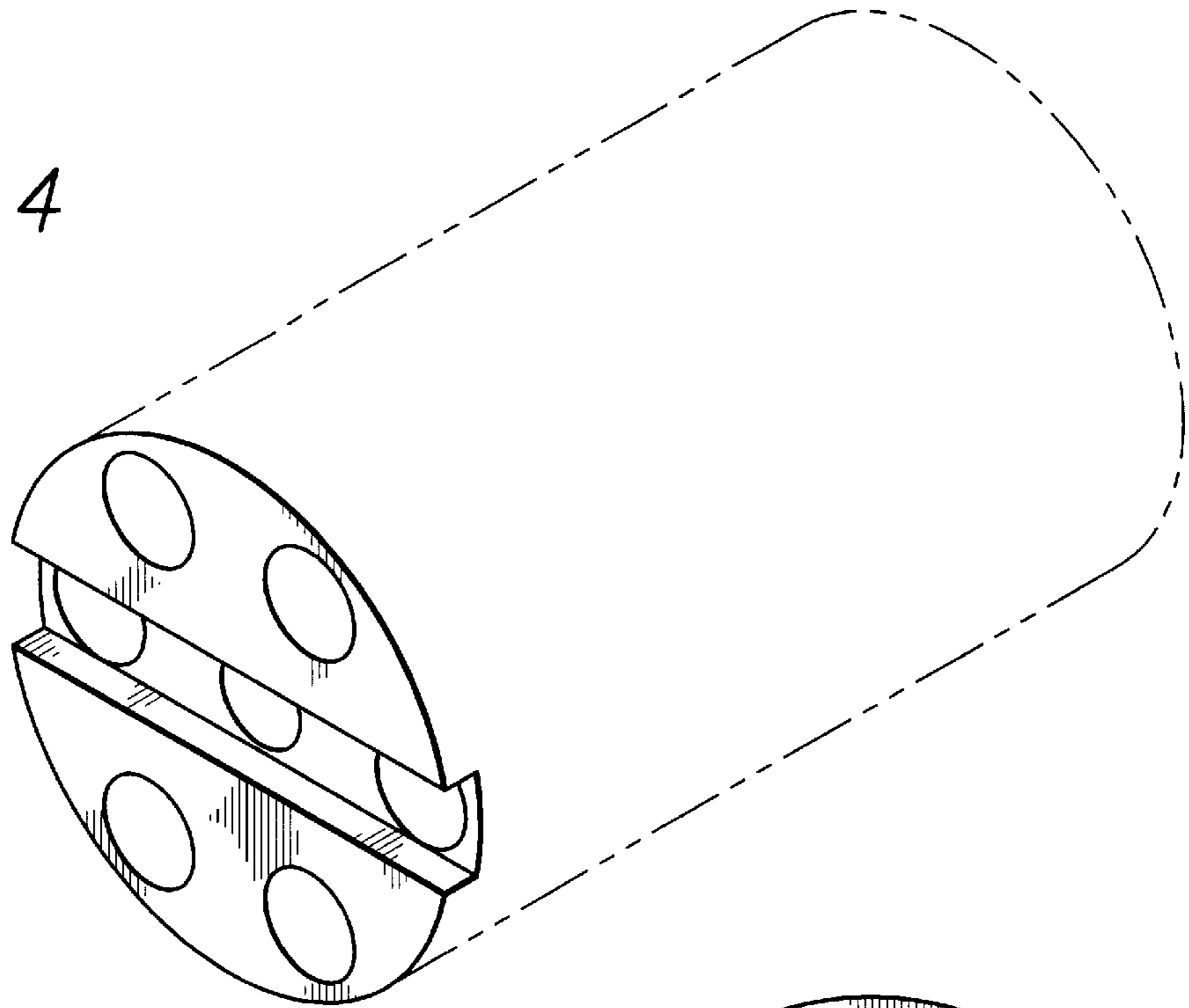


FIG. 5

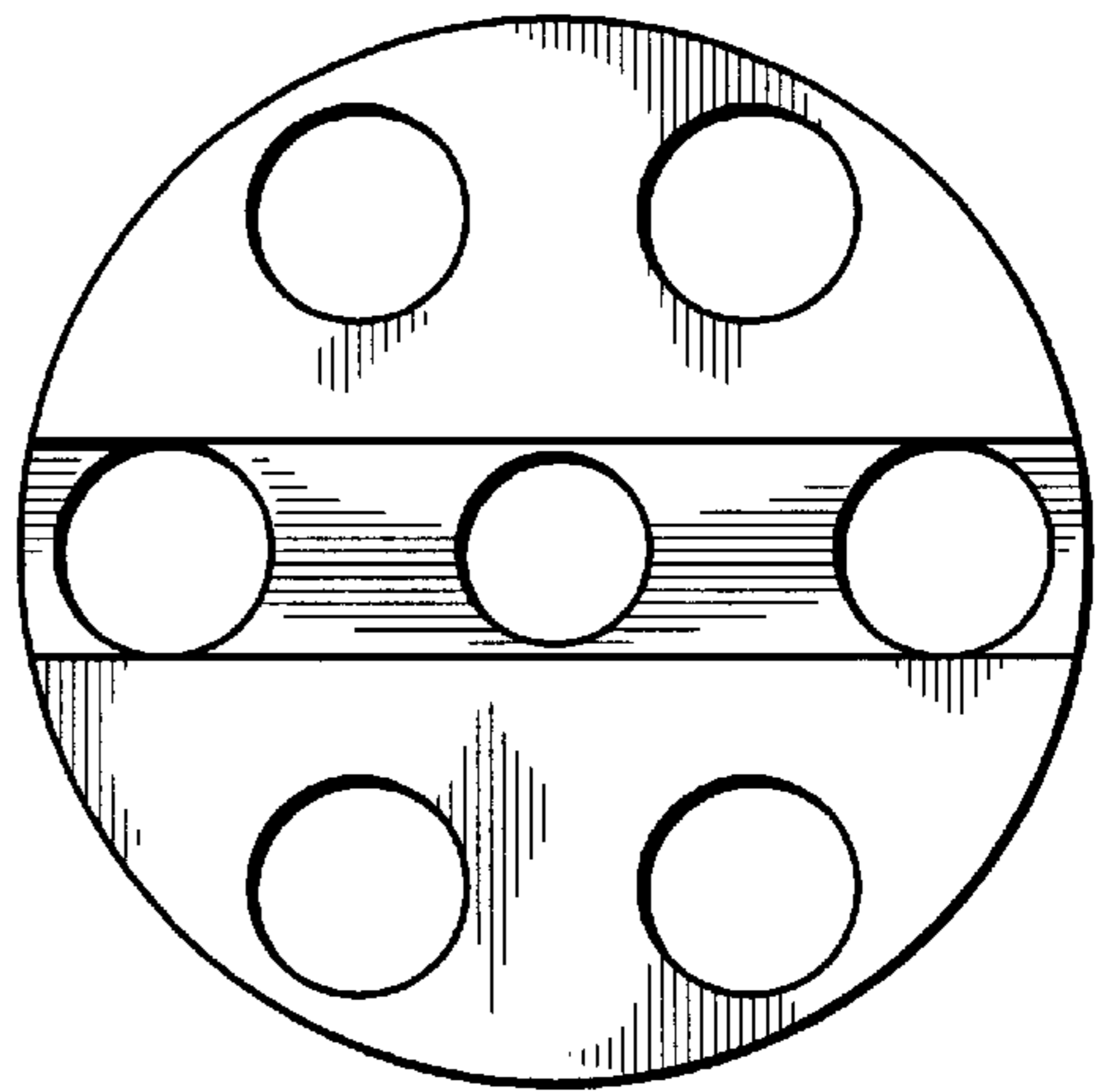


FIG. 6

