



US00D442689S

(12) **United States Design Patent**
Mann

(10) **Patent No.:** **US D442,689 S**

(45) **Date of Patent:** **** May 22, 2001**

(54) **EAR PIERCING GUN**
(75) Inventor: **Samuel J. Mann**, Englewood, NJ (US)
(73) Assignee: **Cookson Group PLC** (GB)
(**) Term: **14 Years**

5,868,774 2/1999 Reil .
5,913,869 * 6/1999 Reil 606/188
5,925,057 7/1999 Blomdahl .
6,048,355 4/2000 Mann et al. .
6,074,406 * 6/2000 Mann 606/188

(21) Appl. No.: **29/120,568**
(22) Filed: **Mar. 20, 2000**

FOREIGN PATENT DOCUMENTS

2187960 9/1987 (GB) .
2240719 8/1991 (GB) .

(51) **LOC (7) Cl.** **24-02**
(52) **U.S. Cl.** **D24/146**
(58) **Field of Search** D24/146, 147;
606/188

* cited by examiner

Primary Examiner—Ian Simmons
(74) *Attorney, Agent, or Firm*—Weingram & Associates,
P.C.

(56) **References Cited**

(57) **CLAIM**

The ornamental design for a ear piercing gun, as shown and described.

U.S. PATENT DOCUMENTS

DESCRIPTION

D. 241,175 * 8/1976 Mann D24/146
D. 392,042 3/1998 Reil .
D. 428,149 * 7/2000 Mann D24/146
3,943,935 3/1976 Cameron .
4,020,848 5/1977 DiCicco .
4,030,507 6/1977 Mann .
4,068,668 1/1978 Moore et al. .
4,516,577 5/1985 Scott et al. .
4,527,563 7/1985 Reil .
4,860,747 8/1989 Sciara .
4,931,060 6/1990 Ave .
5,004,470 4/1991 Mann .
5,004,471 4/1991 Mann .
5,007,918 4/1991 Mann .
5,211,653 5/1993 Narajima .
5,263,960 11/1993 Mann .
5,350,394 9/1994 Mann .
5,360,434 11/1994 Mann .
5,441,514 8/1995 Durham .
5,496,343 3/1996 Reil .
5,499,993 3/1996 Blomdahl et al. .
5,690,665 11/1997 Mann .
5,792,170 8/1998 Reil .

FIG. 1 is a perspective view of an ear piercing gun showing my new design;
FIG. 2 is a front view thereof;
FIG. 3 is a rear view thereof;
FIG. 4 is a side view thereof, the opposite side view being a mirror image thereto;
FIG. 5 is a top plan view thereof;
FIG. 6 is a bottom plan view thereof;
FIG. 7 is a perspective thereof, shown in an alternate position;
FIG. 8 is a front view thereof, the rear view being the same as shown in FIG. 3;
FIG. 9 is a side view thereof, the opposite side view being a mirror image thereto; and,
FIG. 10 is a top plan view thereof. The bottom view being similar to that shown in FIG. 6, with the handle shown in depressed condition.

1 Claim, 5 Drawing Sheets

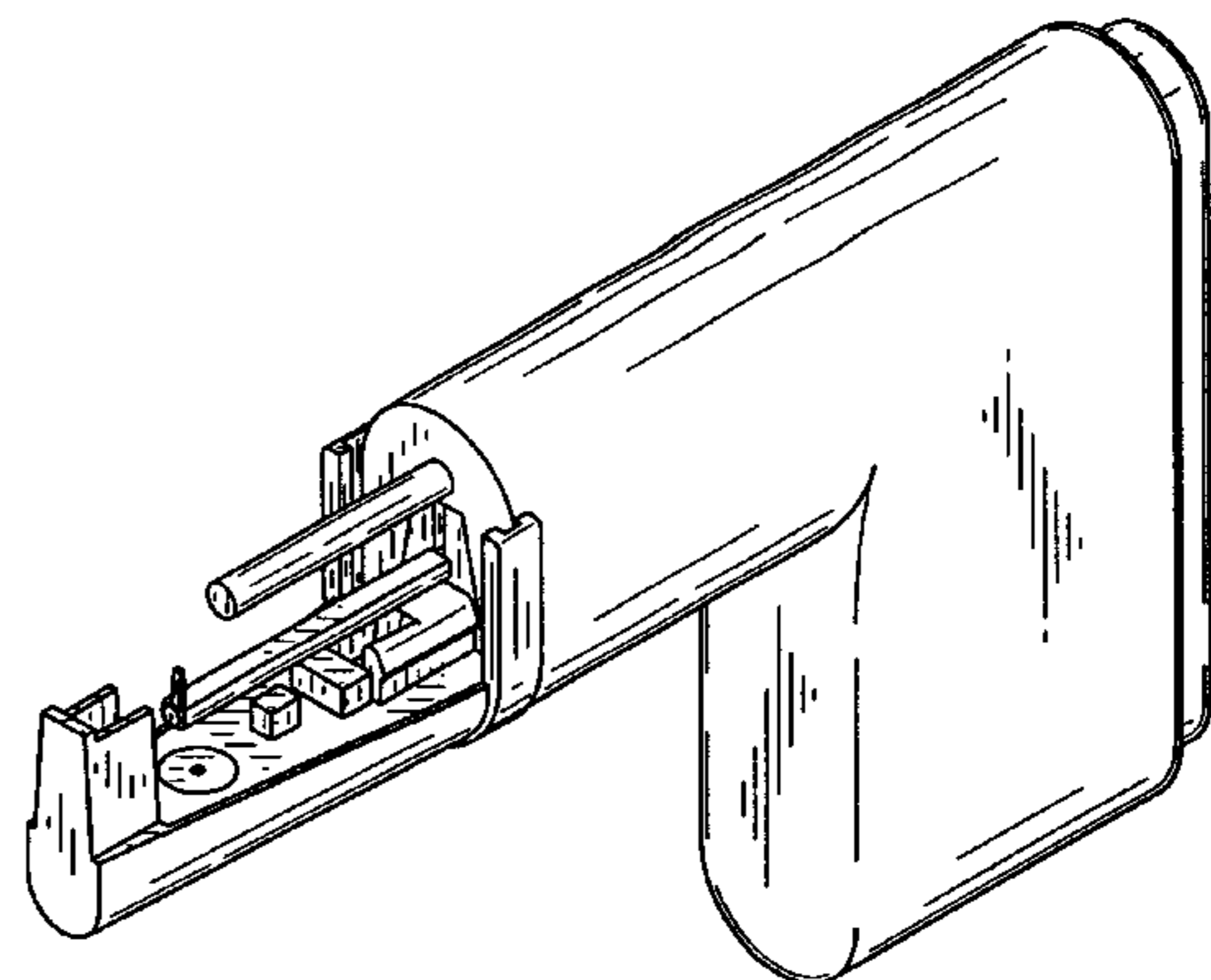
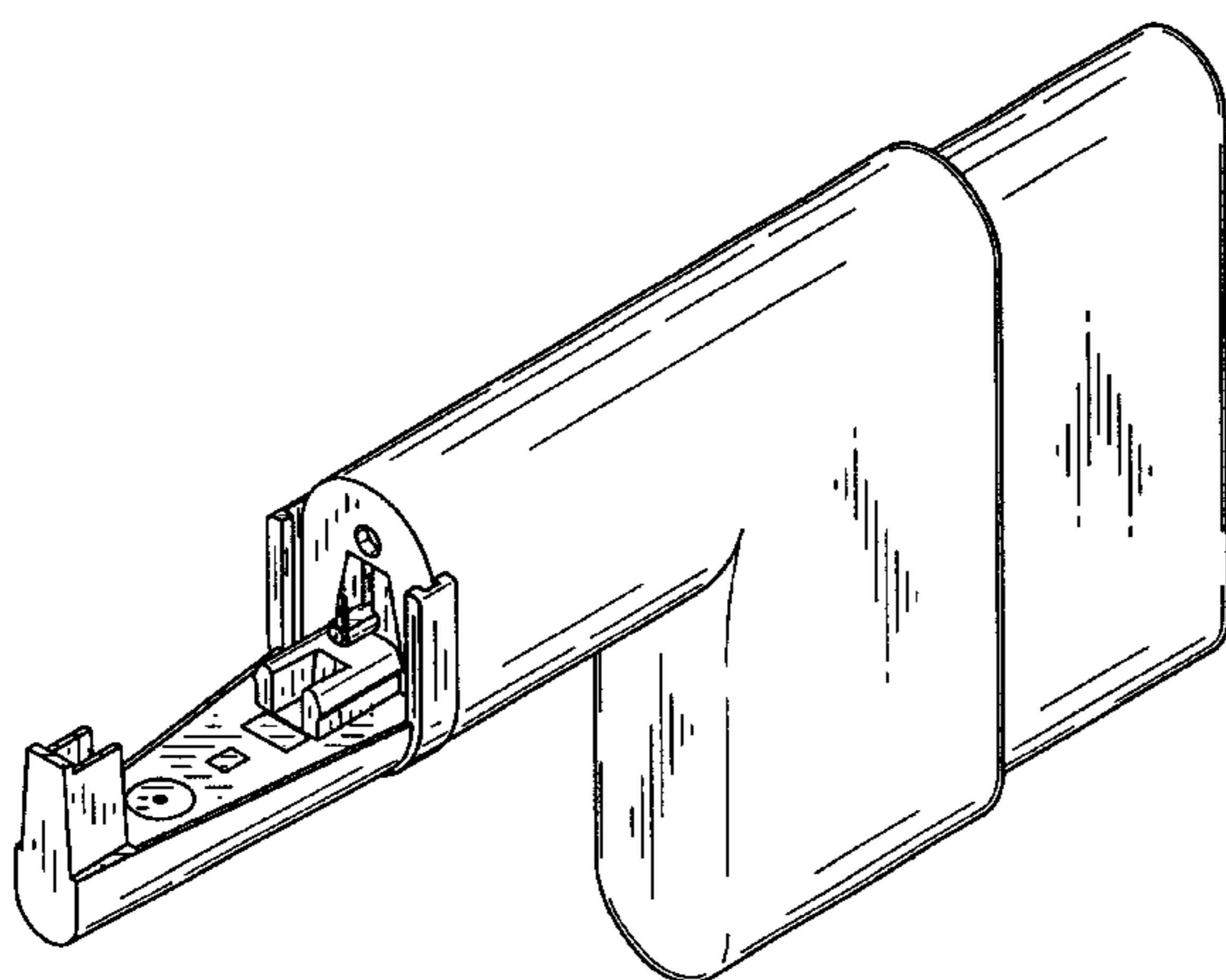


FIG. 1

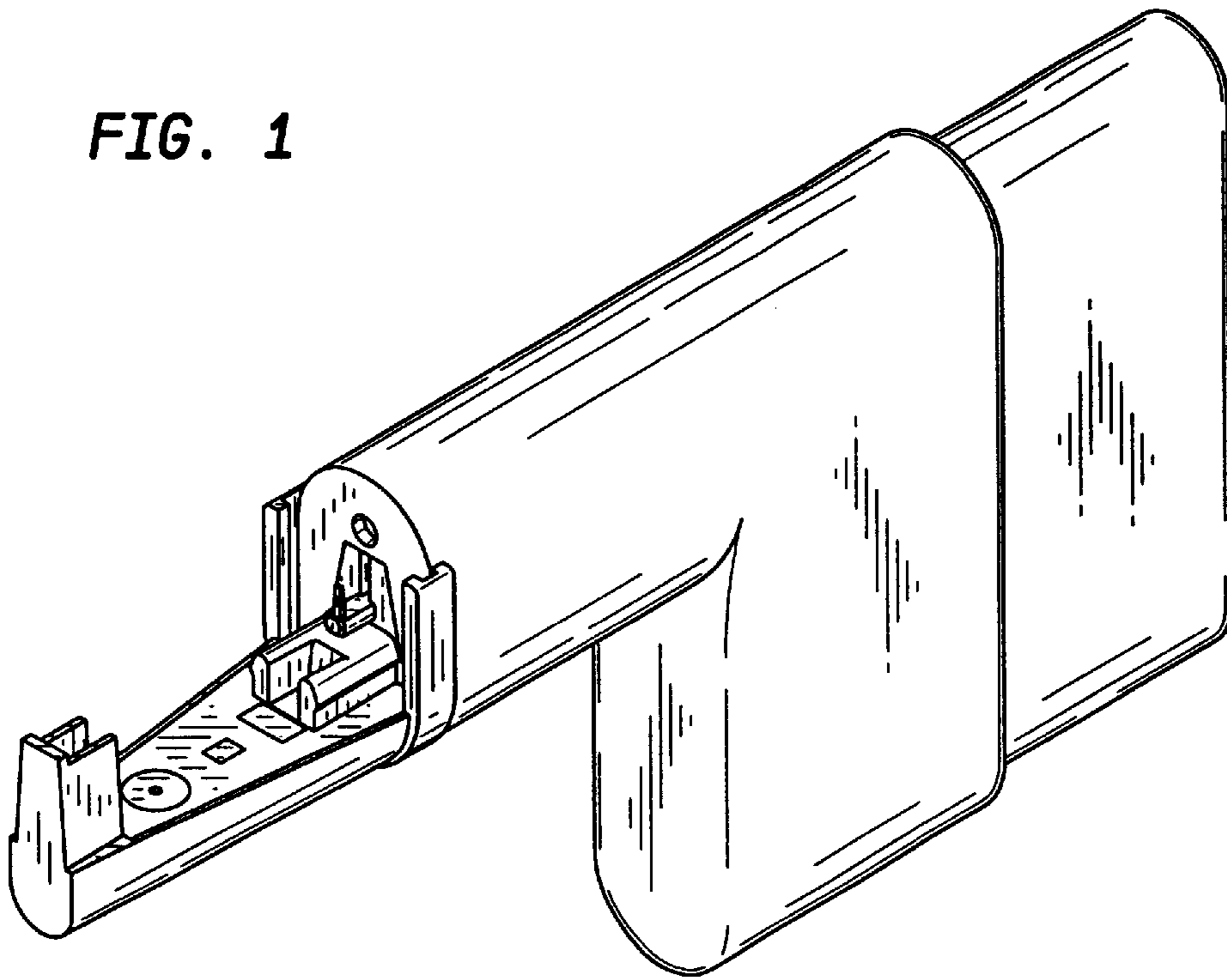


FIG. 2

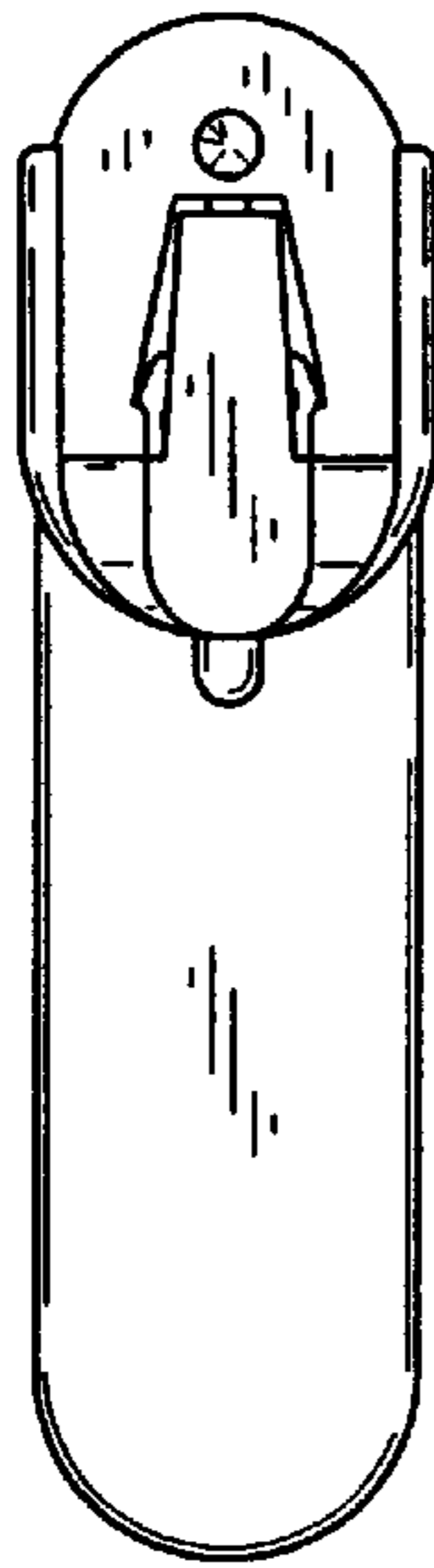


FIG. 3

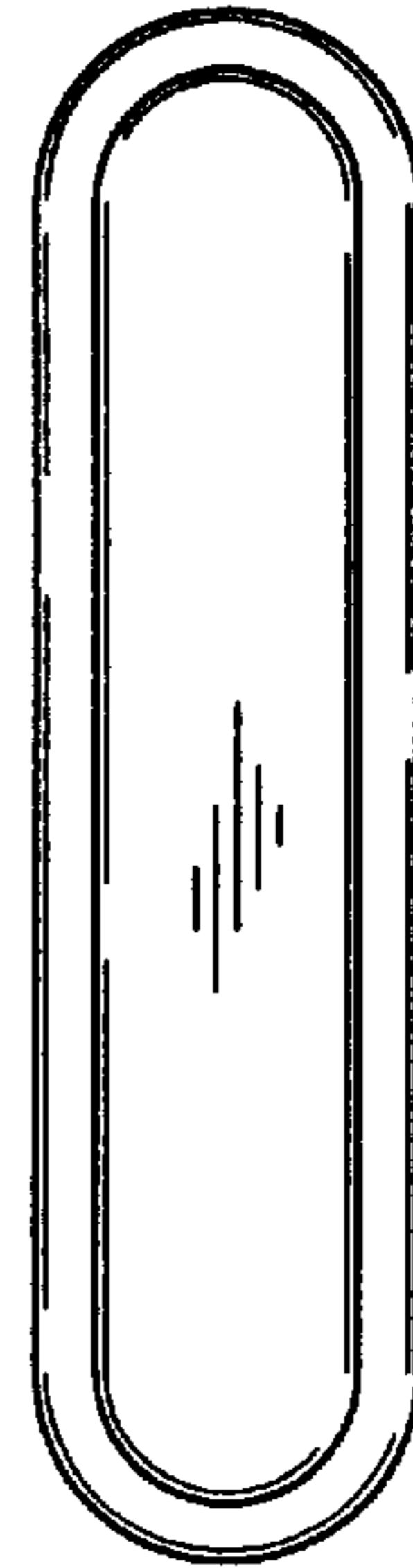


FIG. 4

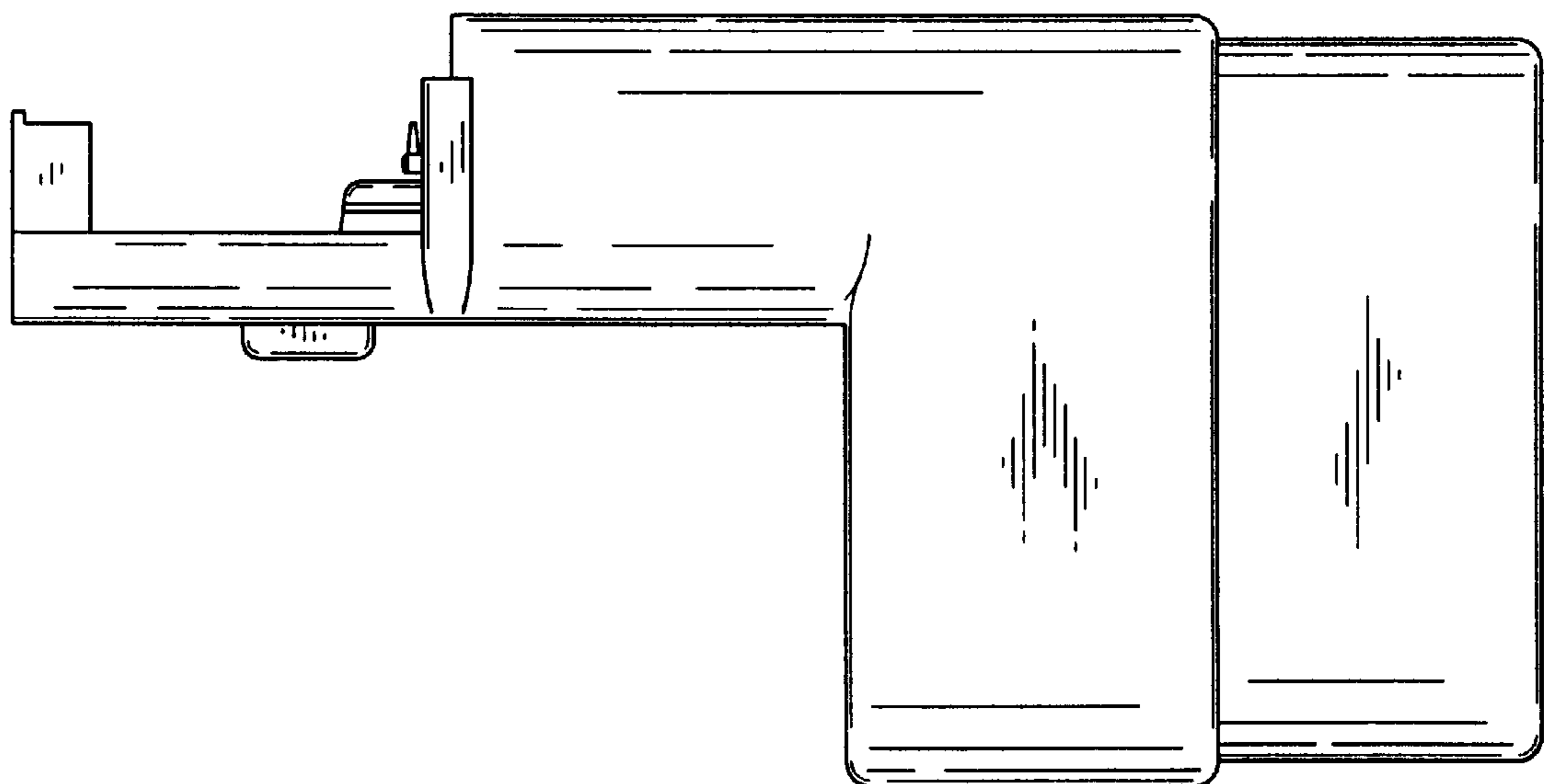


FIG. 5

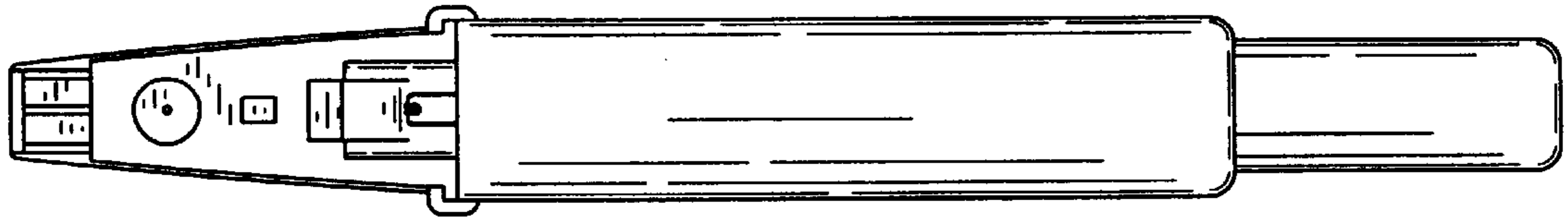


FIG. 6

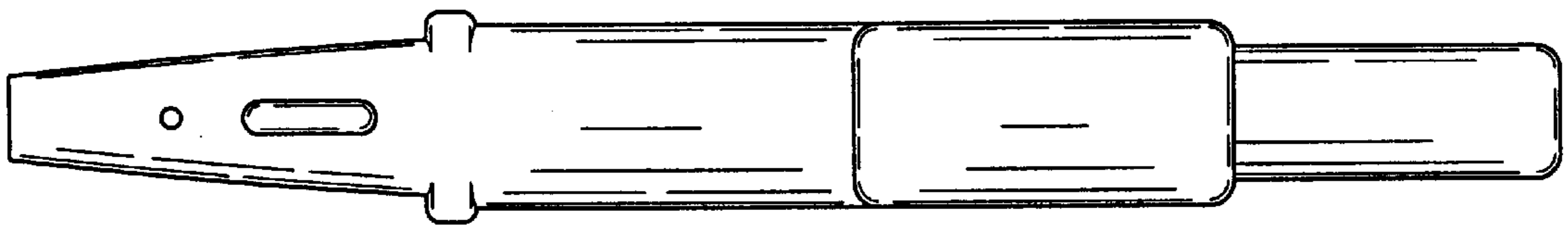


FIG. 7

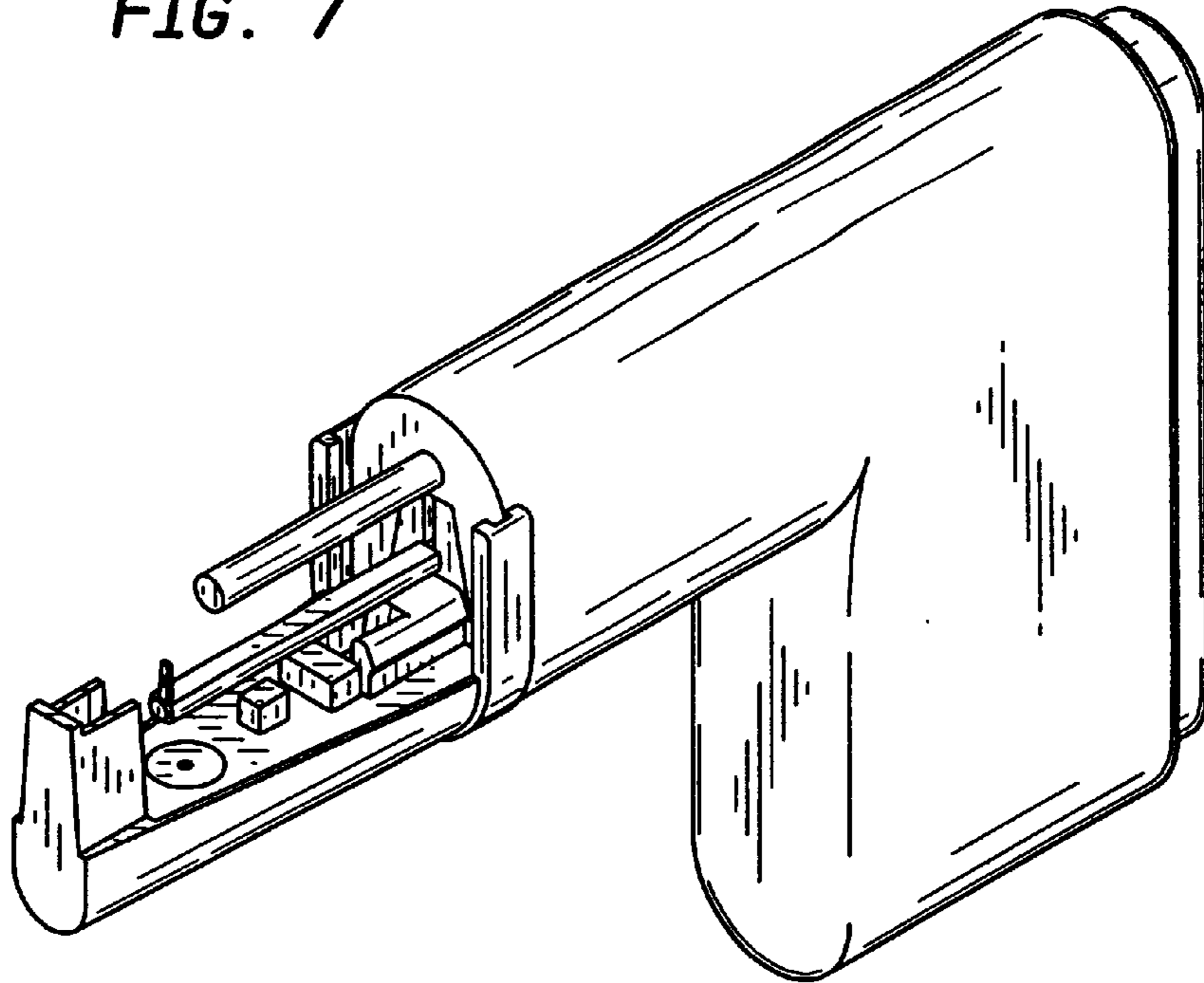


FIG. 8

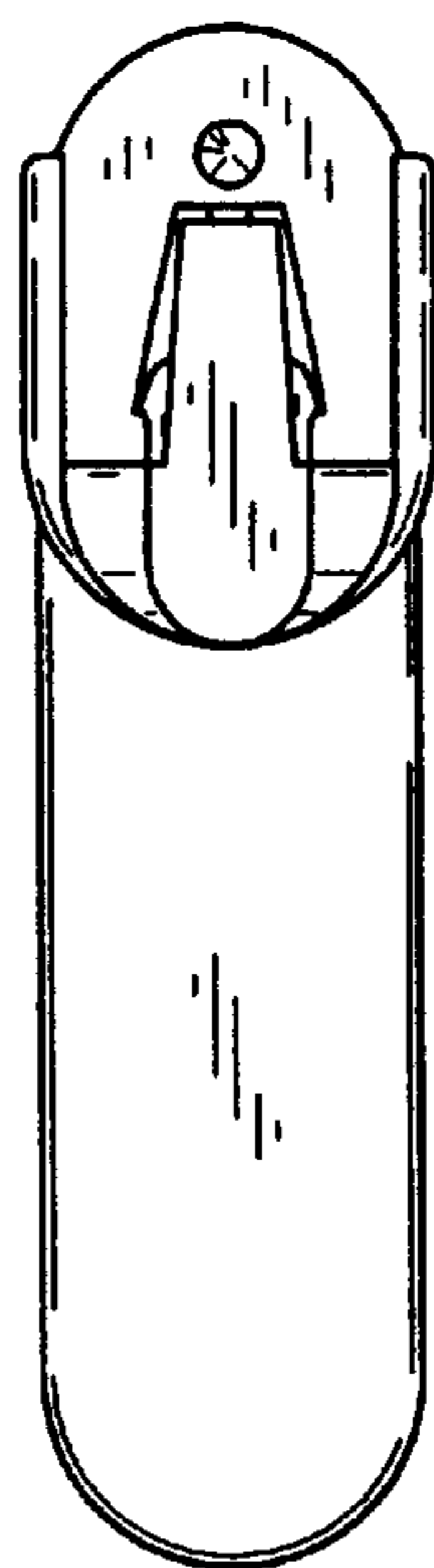


FIG. 9

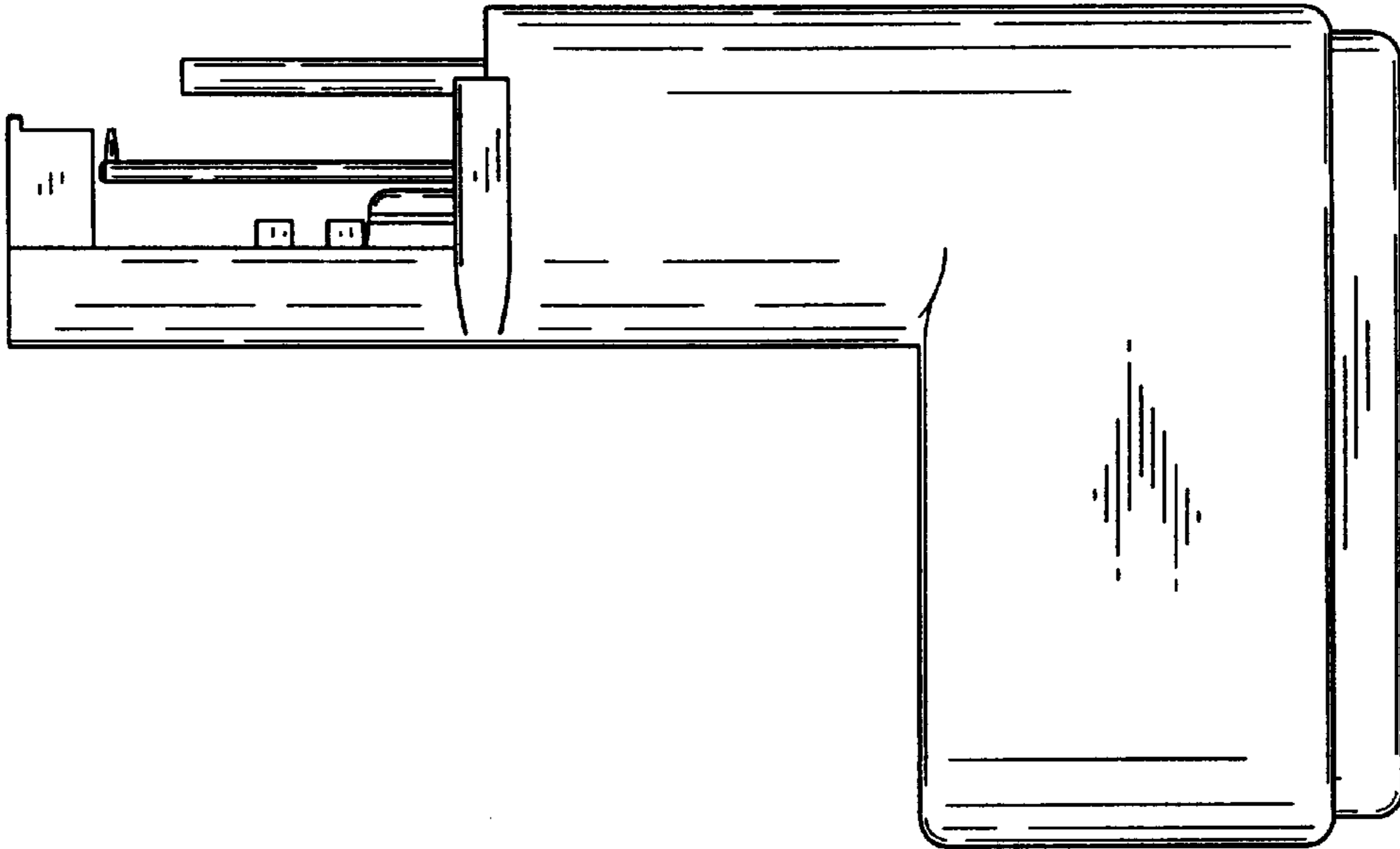


FIG. 10

