



US00D442688S

(12) **United States Design Patent**
DeWeerd

(10) **Patent No.:** **US D442,688 S**

(45) **Date of Patent:** **** May 22, 2001**

- (54) **VAGINAL RING APPLICATOR**
- (75) Inventor: **Marieke DeWeerd**, Tilburg (NL)
- (73) Assignee: **N.V. Organon**, Oss (NL)
- (**) Term: **14 Years**
- (21) Appl. No.: **29/089,457**
- (22) Filed: **Jun. 16, 1998**
- (30) **Foreign Application Priority Data**
Jan. 28, 1998 (BX) 74047-00
- (51) **LOC (7) Cl.** **24-02**
- (52) **U.S. Cl.** **D24/141; D24/133**
- (58) **Field of Search** D24/141, 133;
128/838, 837, 840; 606/119

2,376,193	*	5/1945	Salvin	128/832
2,548,775	*	4/1951	Coel	128/838
2,830,582	*	4/1958	Ljung	128/838
4,742,820	*	5/1988	Leuchtenberger	128/837
5,207,232	*	5/1993	Shihata	128/837

* cited by examiner

Primary Examiner—Ian Simmons

(74) *Attorney, Agent, or Firm*—Joan M. McGillicuddy

(57) **CLAIM**

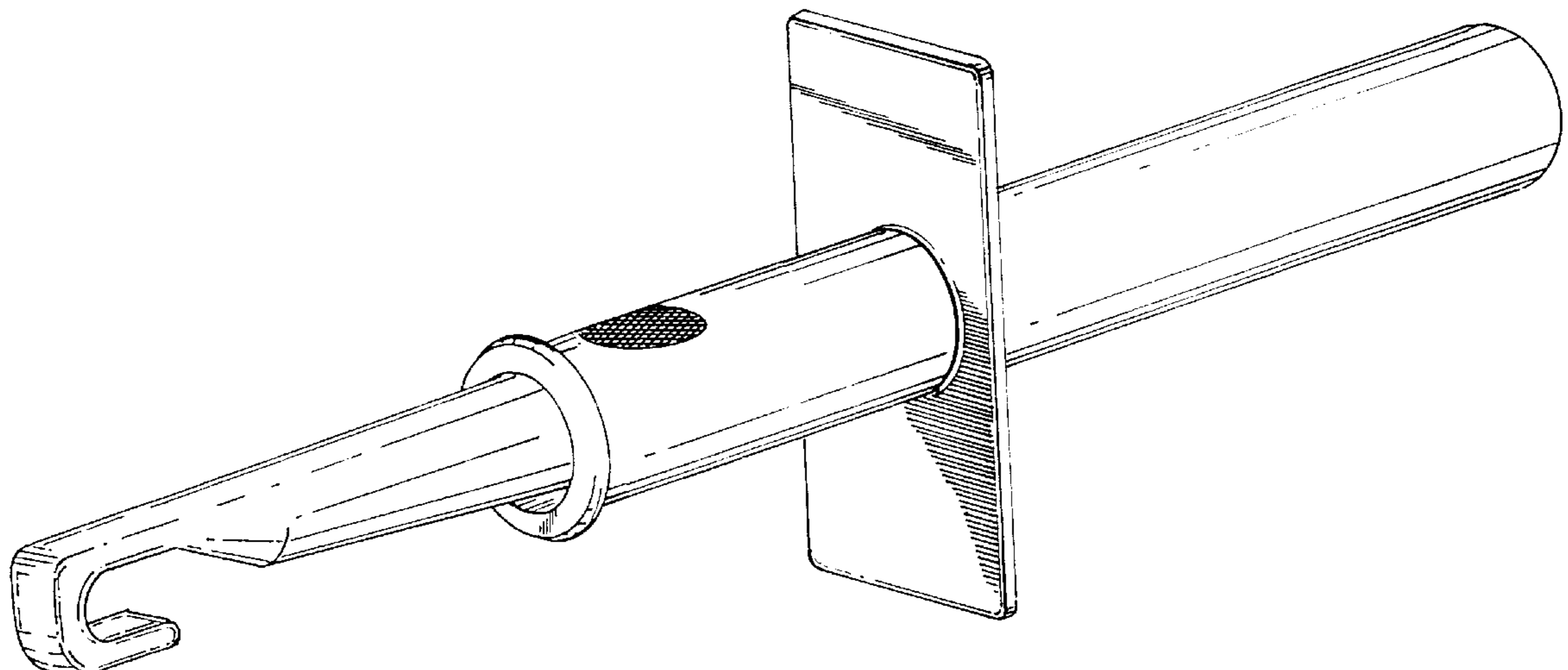
The ornamental design for a vaginal ring applicator, as shown and described.

DESCRIPTION

FIG. 1 is—an overall front perspective view;
 FIG. 2 is a front elevational view;
 FIG. 3 is a rear elevational view;
 FIG. 4 is a top plan view;
 FIG. 5 is a left side elevational view (the right side elevational view is identical to the left side elevational view); and,
 FIG. 6 is an underside plan view.

- (56) **References Cited**
U.S. PATENT DOCUMENTS
D. 404,127 * 1/1999 Lammers D24/141
2,201,274 * 5/1940 Singer 128/832

1 Claim, 2 Drawing Sheets



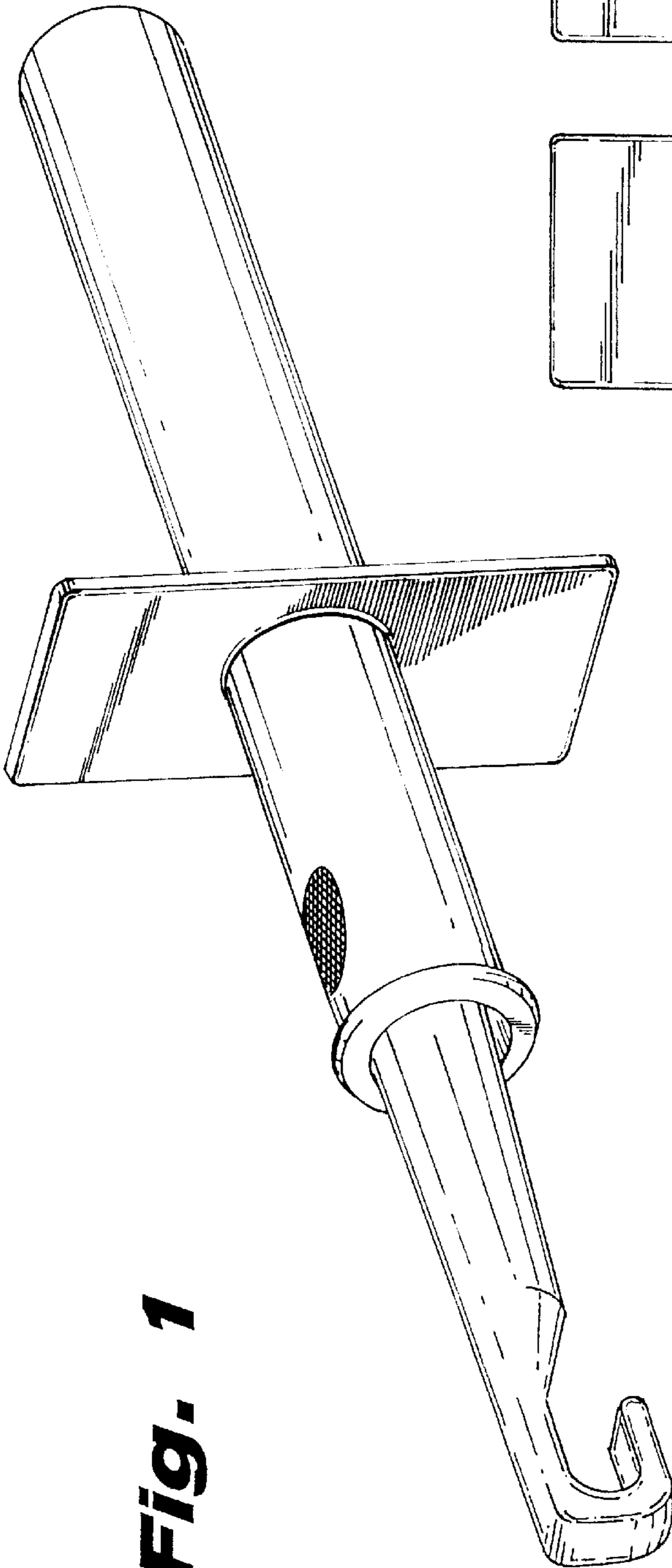


Fig. 1

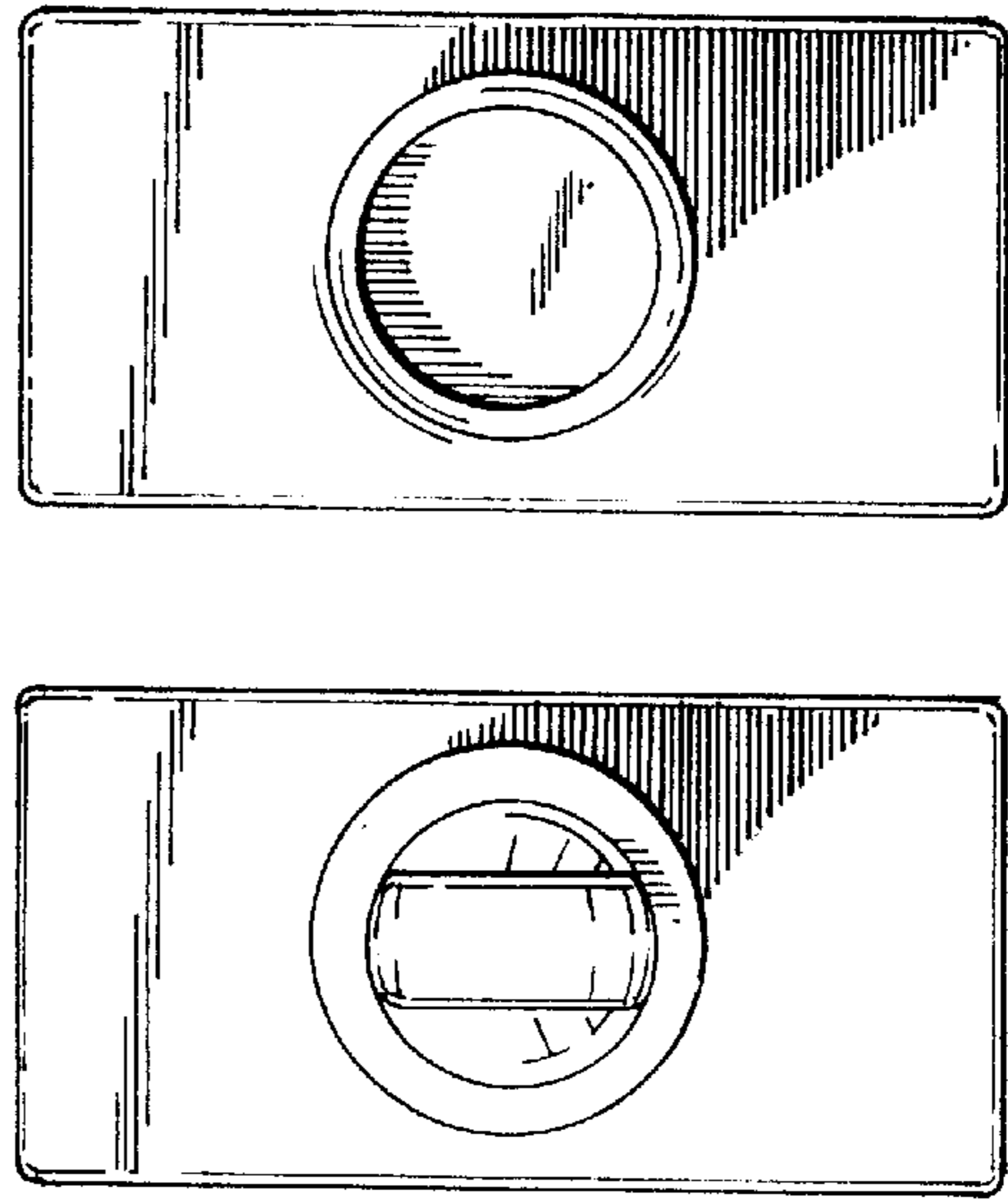


Fig. 2 Fig. 3

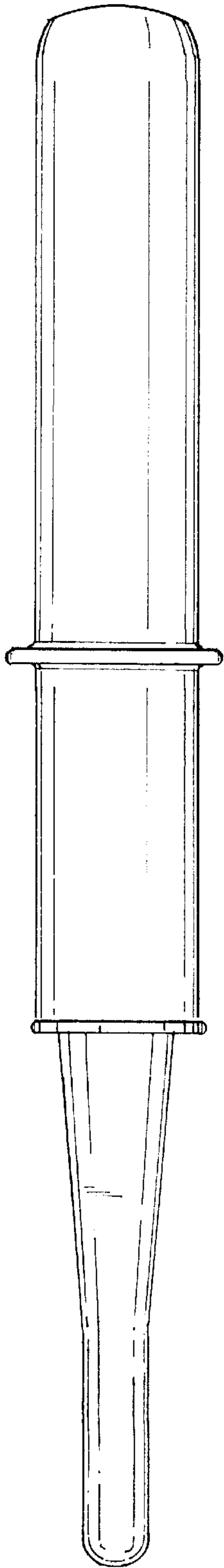


Fig. 4

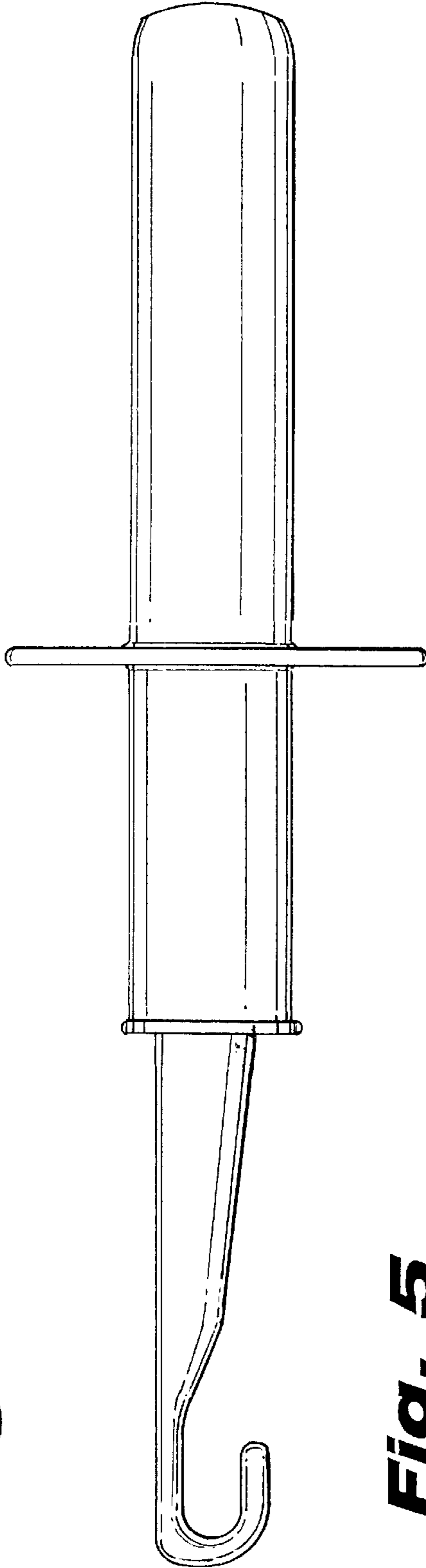


Fig. 5

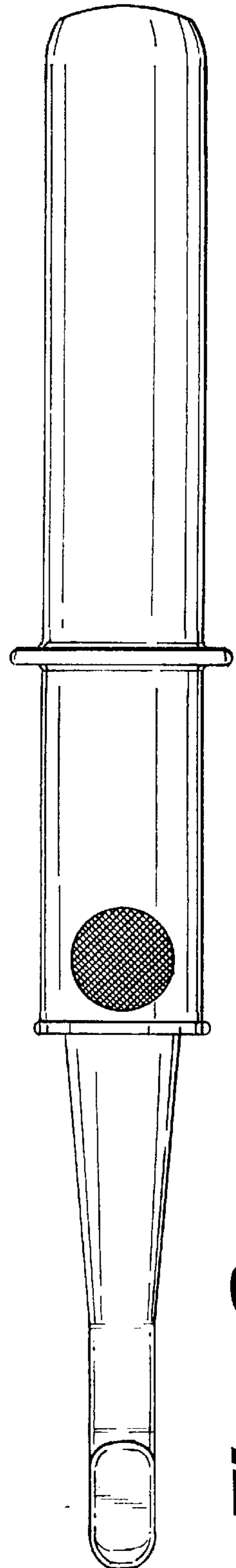


Fig. 6