



US00D442680S

(12) **United States Design Patent**
Chan

(10) **Patent No.:** **US D442,680 S**

(45) **Date of Patent:** **** May 22, 2001**

(54) **SHOWERHEAD RAIL**

(75) **Inventor:** **Jason Siu Ming Chan**, North Point
(HK)

(73) **Assignee:** **Aquamate Company Limited**,
Kowloon (HK)

(**) **Term:** **14 Years**

(21) **Appl. No.:** **29/110,968**

(22) **Filed:** **Sep. 20, 1999**

(51) **LOC (7) Cl.** **23-02**

(52) **U.S. Cl.** **D23/304**

(58) **Field of Search** D23/283, 303-311,
D23/277, 275, 213, 223, 228; D6/525,
574; 4/580, 584, 596, 612, DIG. 9, 567,
568, 570, 601, 607, 615; D8/354, 355;
248/125.1

(56) **References Cited**

U.S. PATENT DOCUMENTS

D. 262,353 * 12/1981 Kitson D8/354 X

D. 266,212 * 9/1982 Haug D23/304 X
D. 339,492 * 9/1993 Klose D23/304 X
D. 378,401 * 3/1997 Neufeld et al. D23/304
D. 385,333 * 10/1997 Caroen et al. D23/228

* cited by examiner

Primary Examiner—Ian Simmons

Assistant Examiner—Robert A. Delehanty

(74) *Attorney, Agent, or Firm*—Leydig, Voit & Mayer, Ltd.

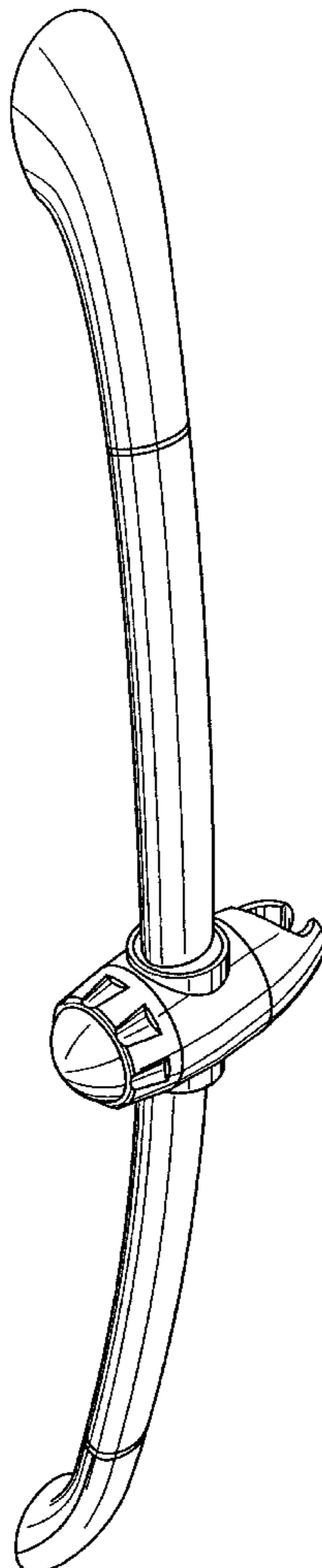
(57) **CLAIM**

The ornamental design for a showerhead rail, as shown and described.

DESCRIPTION

FIG. 1 is a front, left side and top perspective view of a showerhead rail showing my new design;
FIG. 2 is a front elevational view thereof;
FIG. 3 is a left side elevational view thereof;
FIG. 4 is a right side elevational view thereof;
FIG. 5 is a rear elevational view thereof;
FIG. 6 is a top end elevational view thereof; and,
FIG. 7 is a bottom end elevational view thereof.

1 Claim, 3 Drawing Sheets



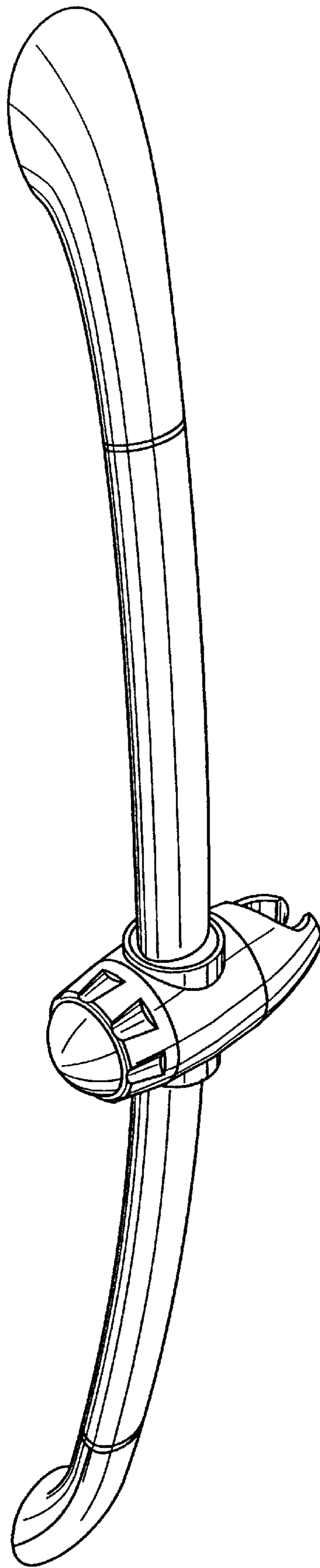


FIG. 1

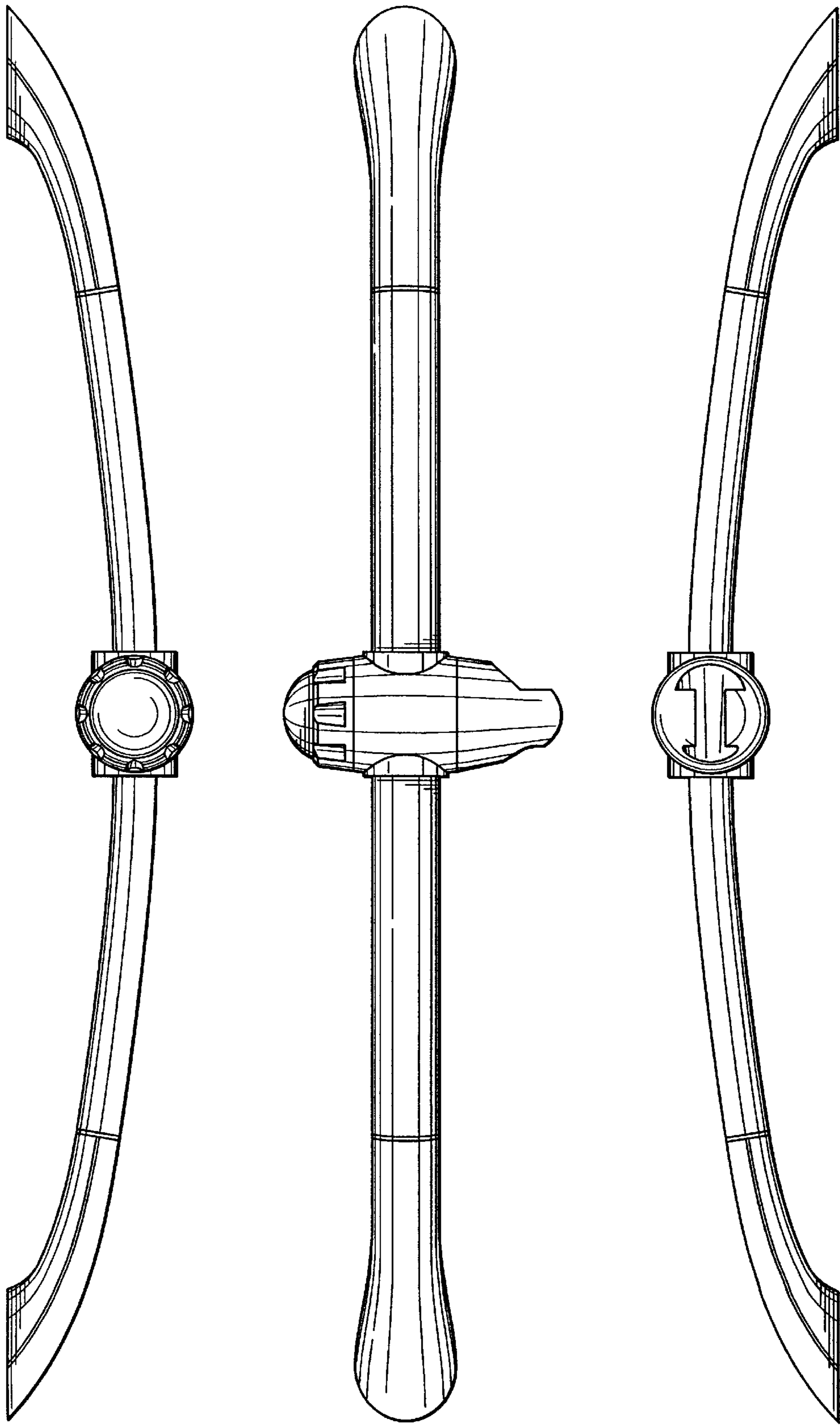


FIG. 3

FIG. 2

FIG. 4

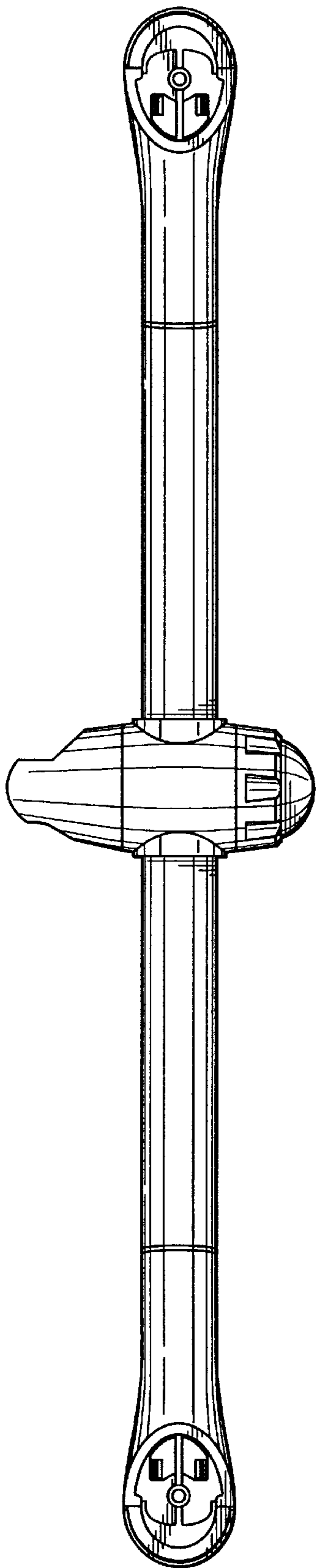


FIG. 5

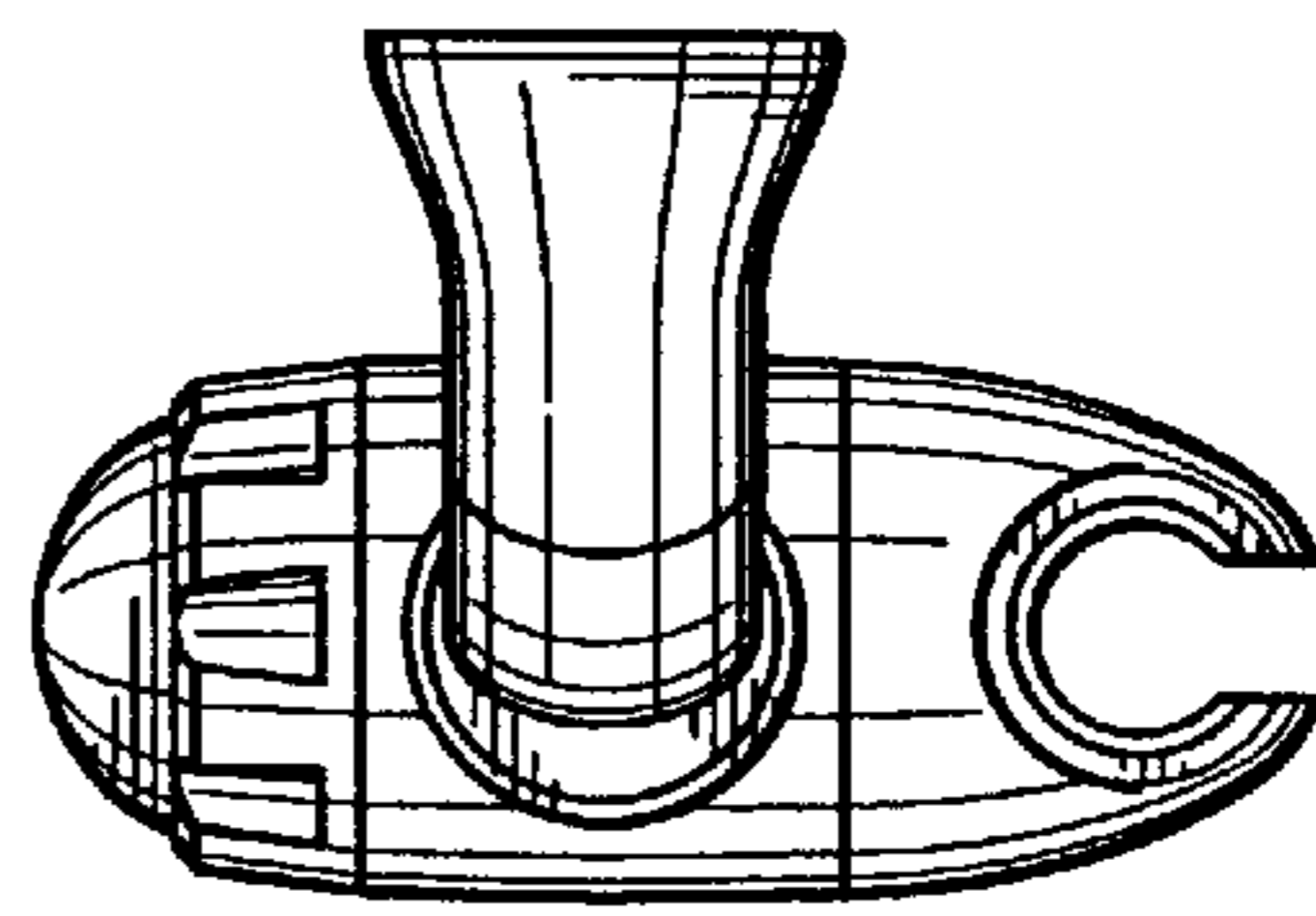


FIG. 6

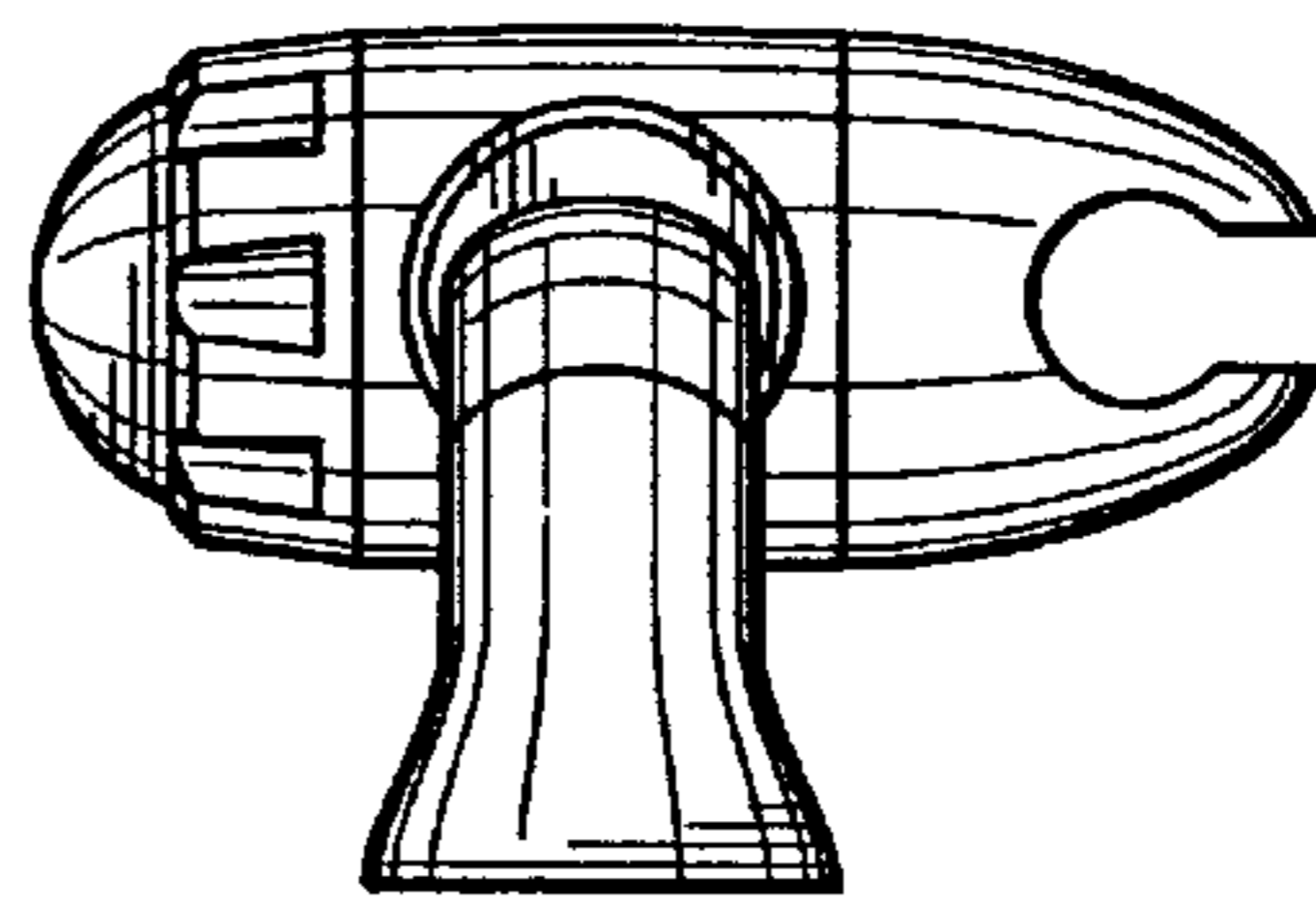


FIG. 7