



US00D442679S

(12) **United States Design Patent**
Roberts

(10) **Patent No.:** **US D442,679 S**

(45) **Date of Patent:** **** May 22, 2001**

- (54) **SINK**
- (75) Inventor: **Samuel K. Roberts**, Lincoln, RI (US)
- (73) Assignee: **Corestone, Inc.**, North Attleboro, MA (US)
- (**) Term: **14 Years**
- (21) Appl. No.: **29/114,193**
- (22) Filed: **Nov. 19, 1999**
- (51) **LOC (7) Cl.** **23-02**
- (52) **U.S. Cl.** **D23/284**
- (58) **Field of Search** D23/284, 293.1;
4/619, 660

D. 419,656 1/2000 Lindholm D23/285

* cited by examiner

Primary Examiner—Doris Clark

(74) *Attorney, Agent, or Firm*—Wolf, Grenfield & Sacks, P.C.

(57) **CLAIM**

The ornamental design for a sink, as shown and described.

DESCRIPTION

FIG. 1 is a side, top perspective view of the sink with plumbing holes thereof shown in phantom for illustrative purposes only and form no part of the claimed design;

FIG. 2 is a top view thereof;

FIG. 3 is a bottom view thereof;

FIG. 4 is a left side view thereof;

FIG. 5 is a right side view thereof;

FIG. 6 is a front view thereof; and,

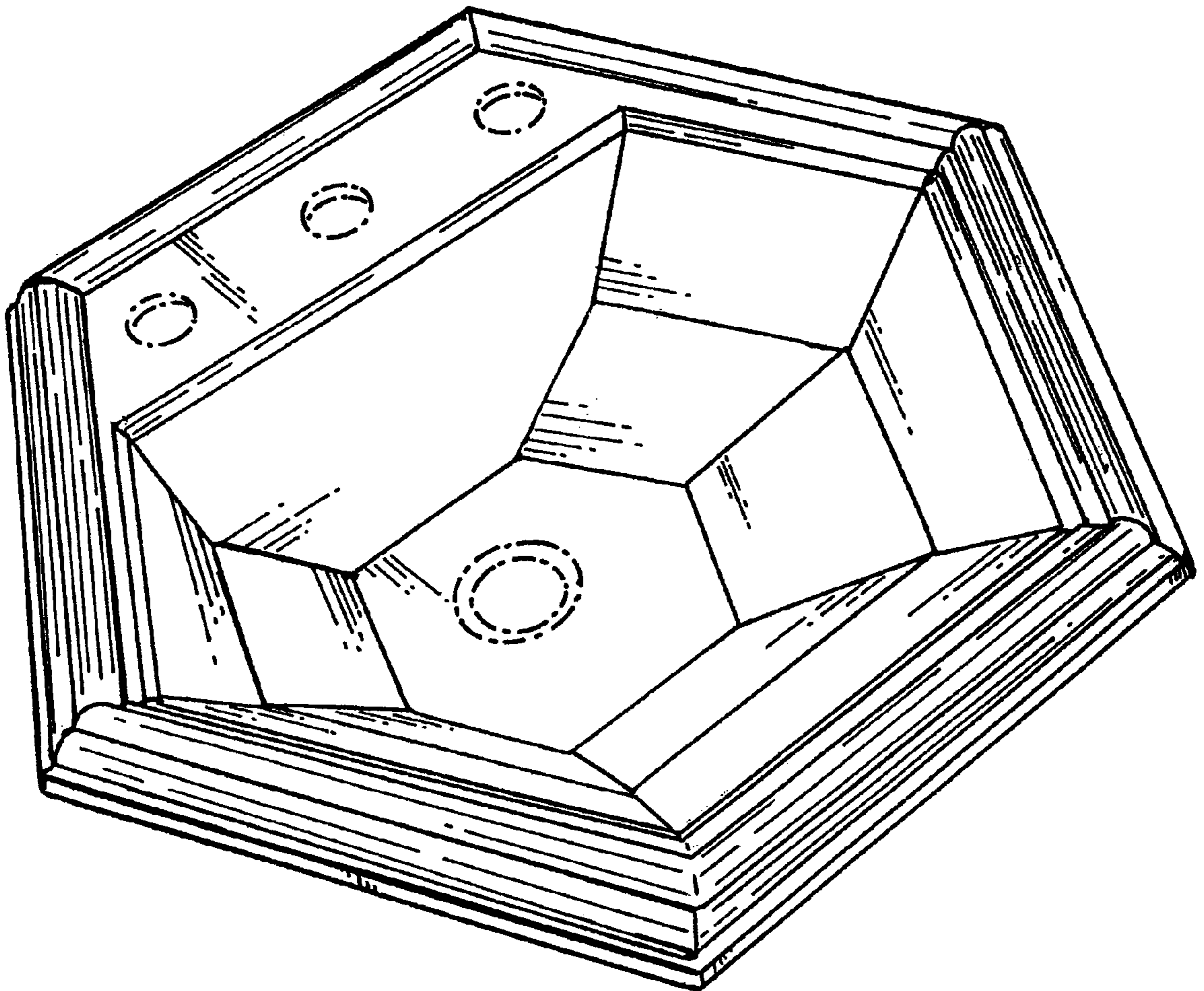
FIG. 7 is a rear view thereof.

(56) **References Cited**

U.S. PATENT DOCUMENTS

- D. 346,853 * 5/1994 Gruber D23/293.1
- D. 389,901 * 1/1998 Kohler, Jr. et al. D23/284

1 Claim, 3 Drawing Sheets



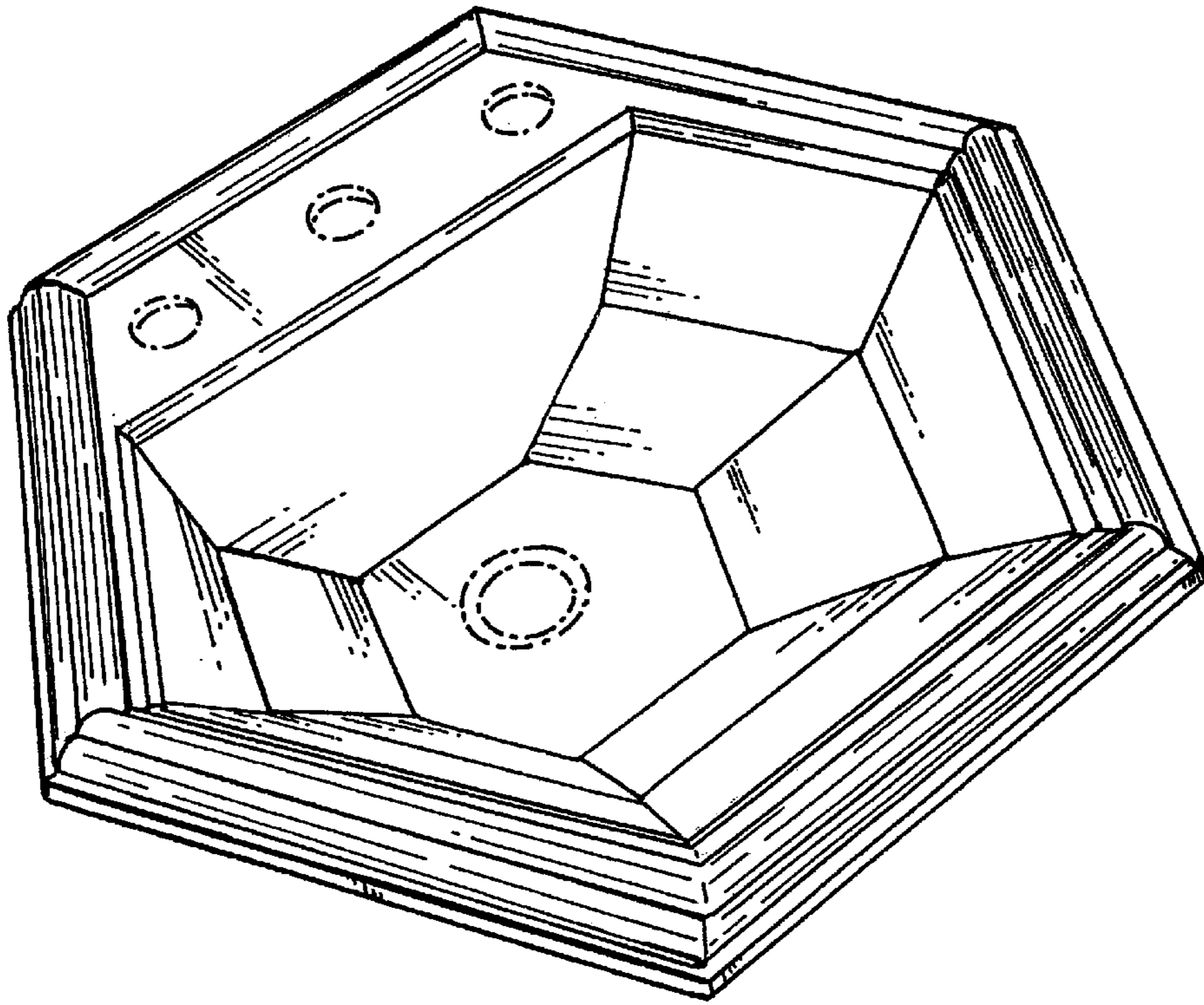


Fig. 1

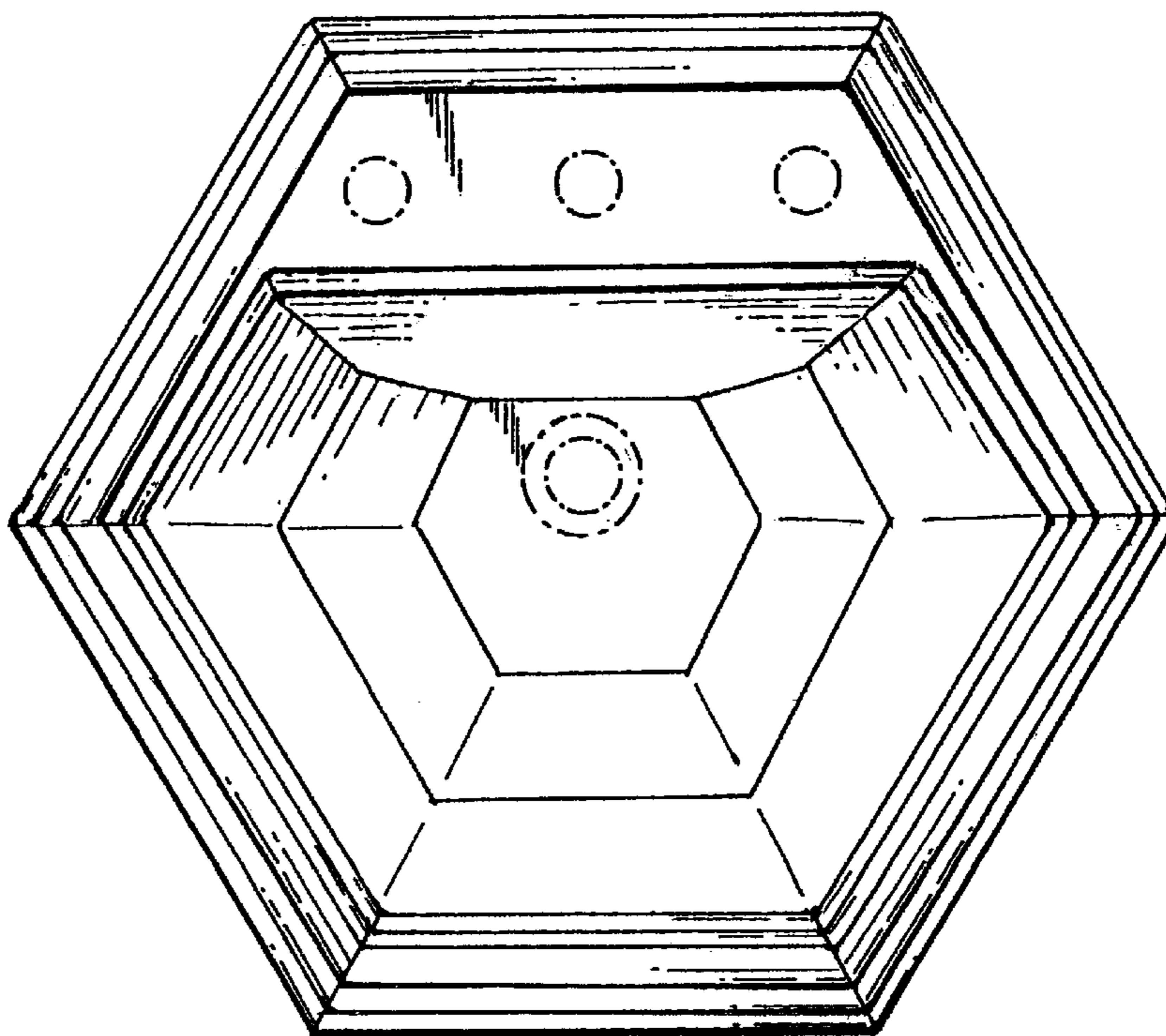


Fig. 2

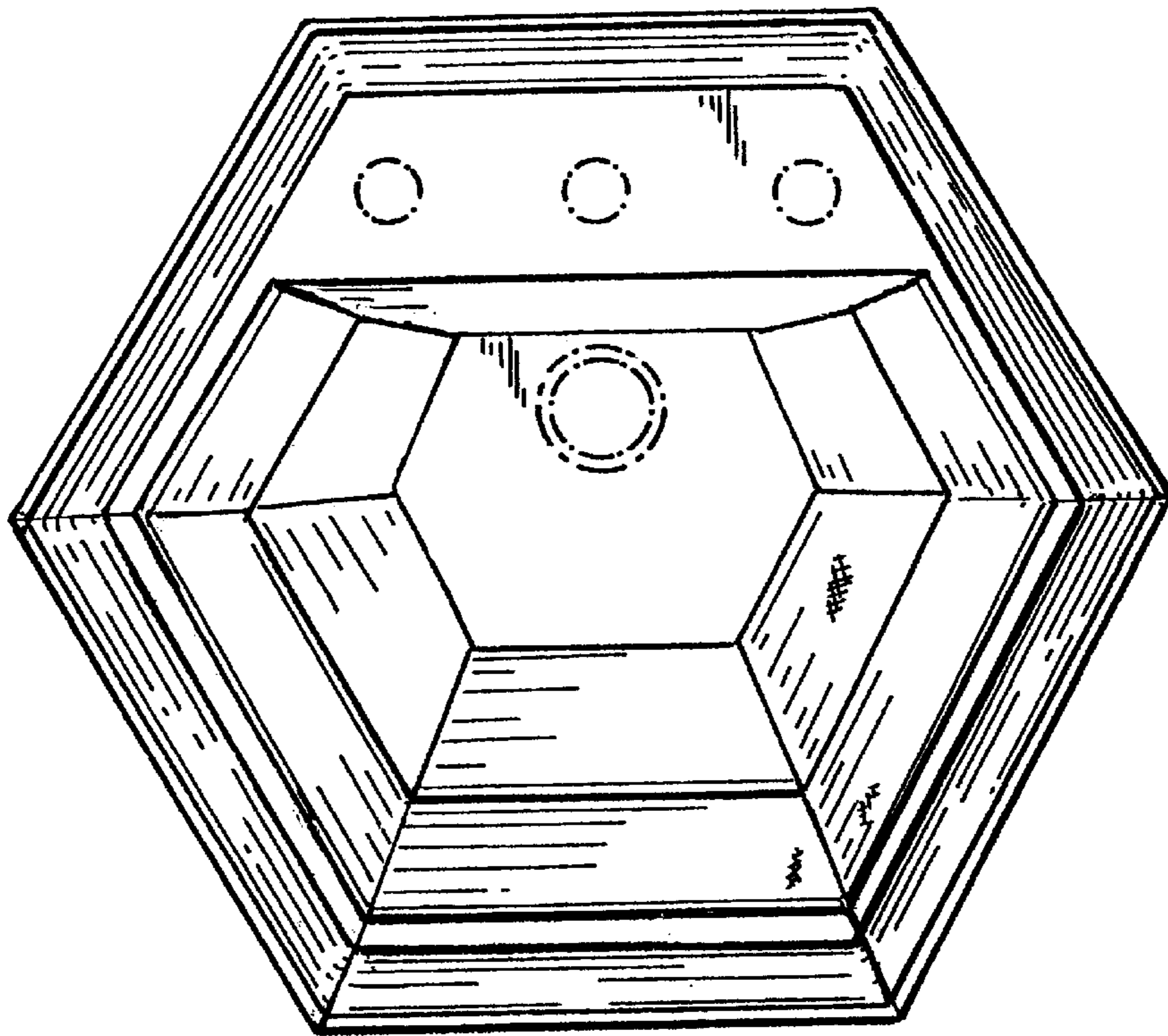


Fig. 3

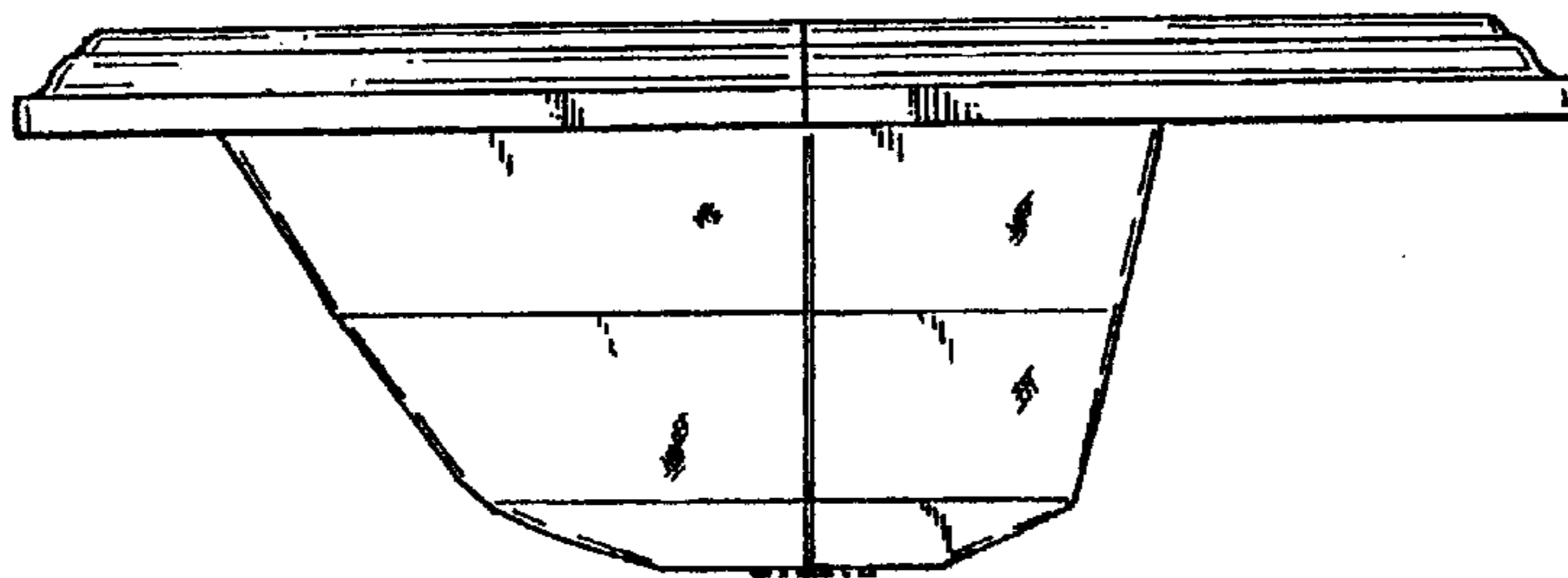


Fig. 4

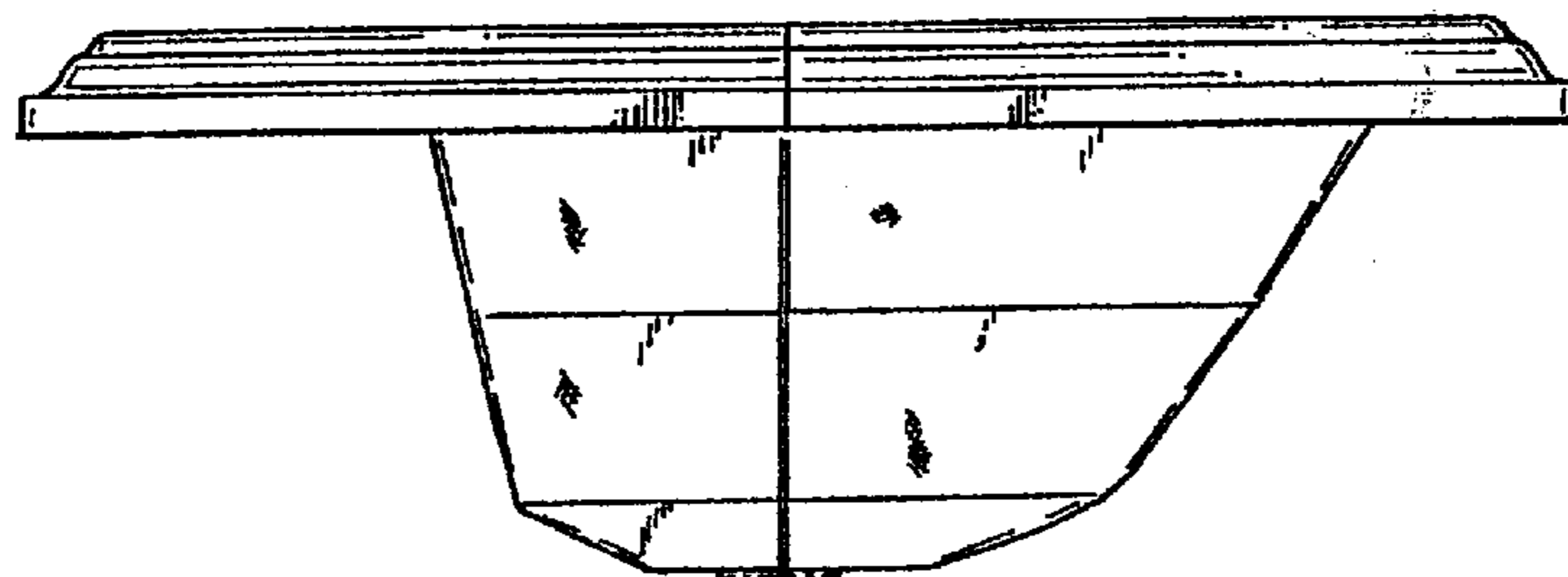


Fig. 5

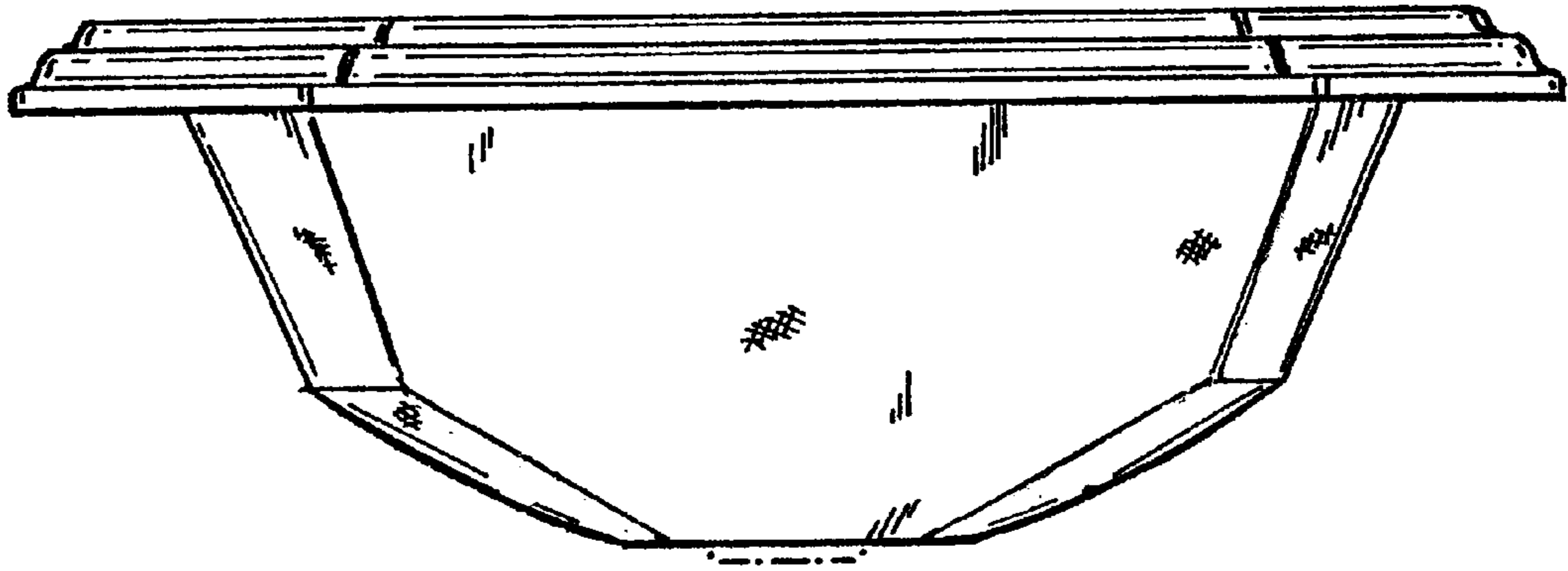


Fig. 6

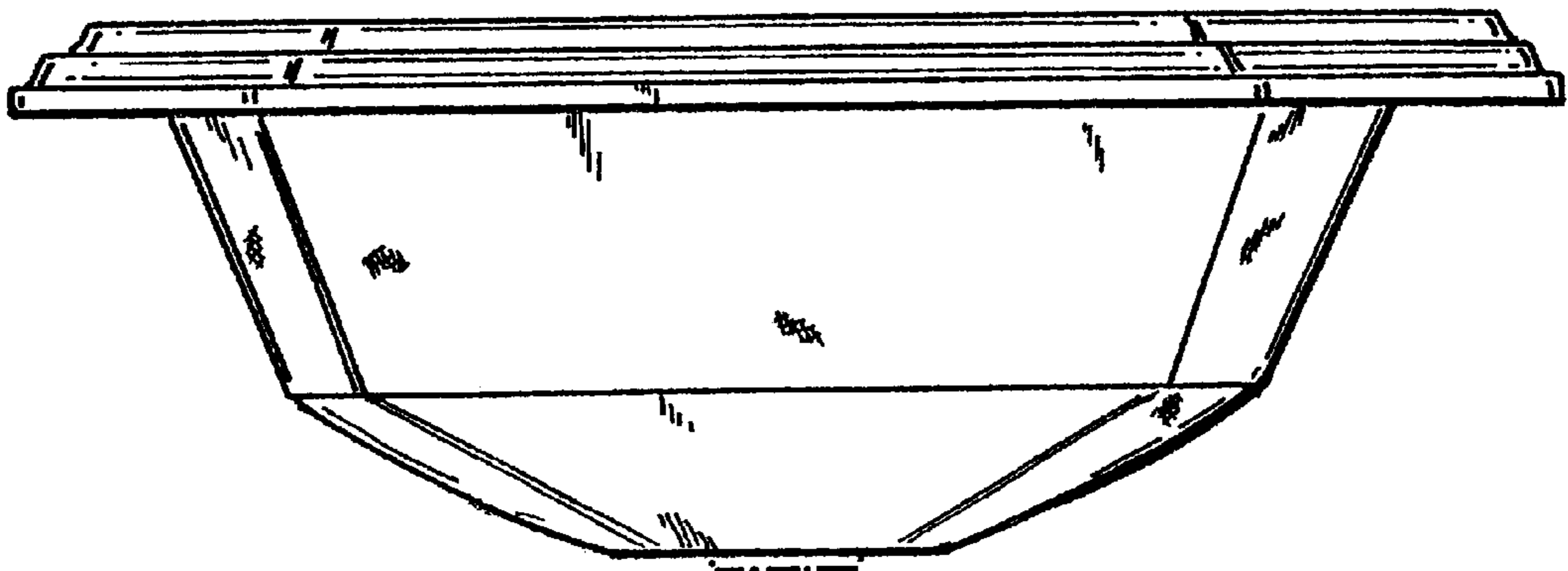


Fig. 7