



US00D442677S

(12) **United States Design Patent** (10) **Patent No.:** **US D442,677 S**
Funk (45) **Date of Patent:** **** May 22, 2001**

(54) **STAND**

Undated Baker catalog ad showing a table.

(75) Inventor: **David R. Funk**, Sheboygan, WI (US)

* cited by examiner

(73) Assignee: **Kohler Co.**, Kohler, WI (US)

Primary Examiner—Louis S. Zarfes

(**) Term: **14 Years**

Assistant Examiner—Robert A. Delehanty

(74) *Attorney, Agent, or Firm*—Quarles & Brady LLP

(21) Appl. No.: **29/121,415**

(22) Filed: **Apr. 6, 2000**

(57) **CLAIM**

The ornamental design for a stand, as shown and described.

(51) **LOC (7) Cl.** **06-04**

(52) **U.S. Cl.** **D23/270**

(58) **Field of Search** D23/270–274,
D23/284–286, 289, 293.1, 303, 308; 4/619,
630–632, 638, 640, 643; D6/396–397, 405,
480, 574; 108/24, 156, 161

DESCRIPTION

In a preferred embodiment, the nature of this product is as a pedestal primarily useful for mounting a plumbing fixture such as a lavatory.

(56) **References Cited**

FIG. 1 is a left, top, front perspective view of a stand embodying my new design;

U.S. PATENT DOCUMENTS

FIG. 2 is a front elevational view thereof;

- D. 34,671 * 6/1901 Carraway D23/293.1
- D. 103,680 * 3/1937 Hardy D6/397
- D. 213,599 * 3/1969 Siebel D6/455
- D. 232,877 * 9/1974 Kephart D6/397
- D. 280,957 * 10/1985 Meier D6/455
- D. 400,741 * 11/1998 Schubert D6/480 X
- D. 427,812 * 7/2000 Donnelly D6/480
- 3,004,571 * 10/1961 Gerbrandt D6/480 X
- 5,784,972 * 7/1998 Emalfarb et al. 108/156

FIG. 3 is a left side elevational view thereof, the right side elevational view being a mirror image of the left side shown;

FIG. 4 is a rear elevational view thereof;

FIG. 5 is a top plan view thereof; and,

FIG. 6 is a bottom plan view thereof.

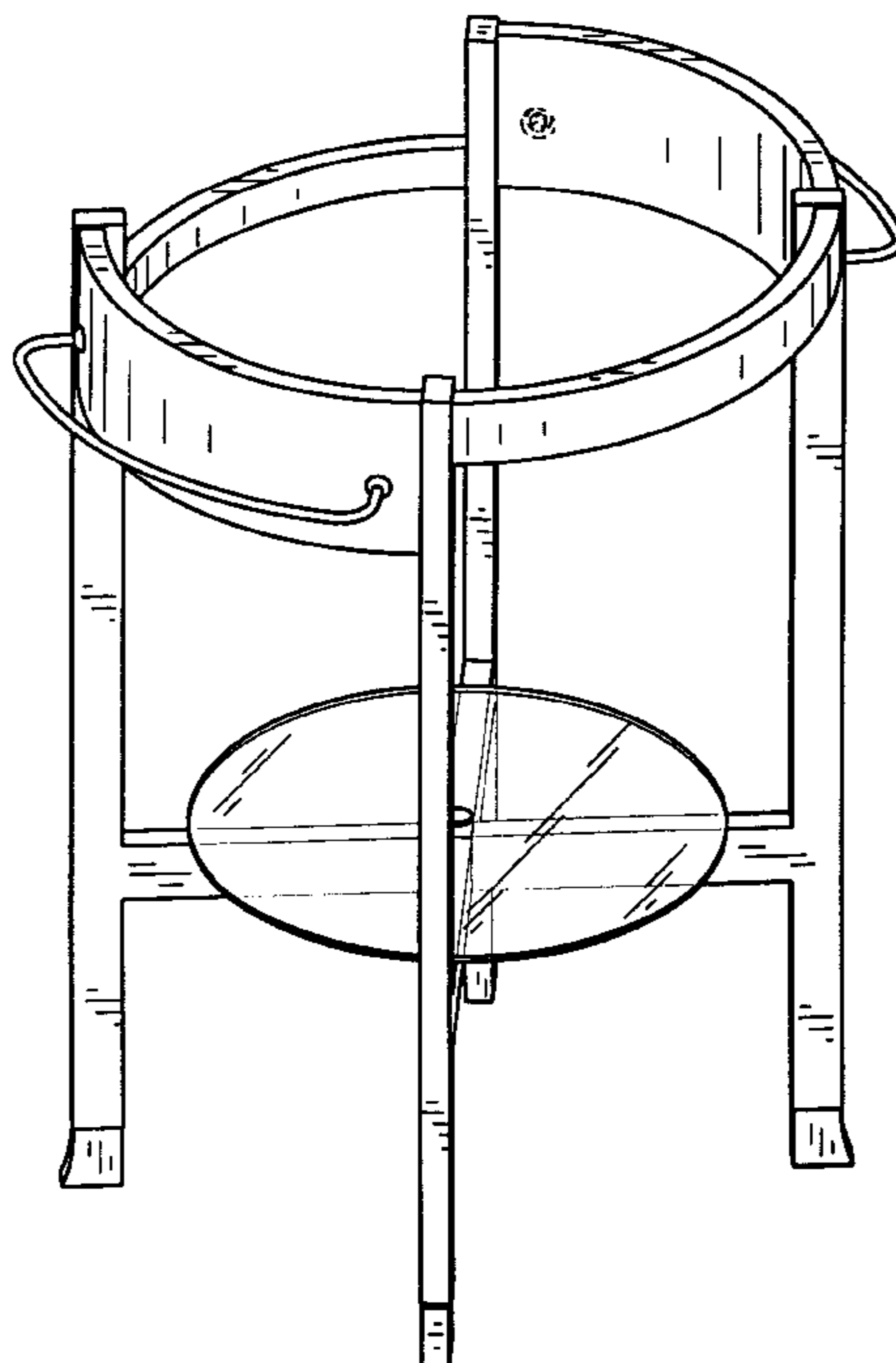
OTHER PUBLICATIONS

The broken line representations of hardware in FIGS. 1 and 6 are for the purpose of illustration only, and form no part of the claimed design.

Undated Kohler catalog ad, p. 5, showing a “Revival” console table.

Undated Pompeii catalog ad, p. 16, showing “Singapore” tables.

1 Claim, 3 Drawing Sheets



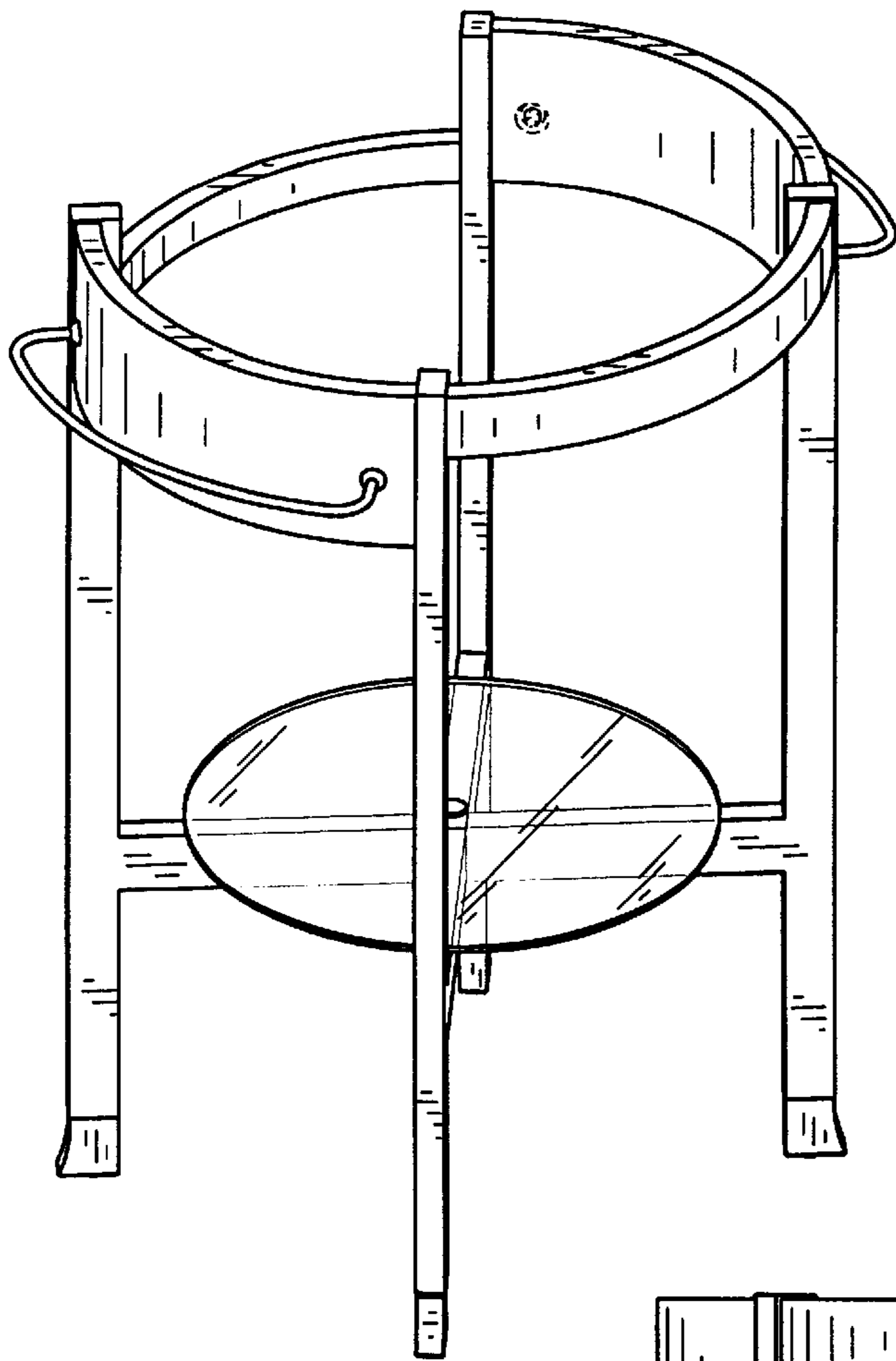


FIG. 1

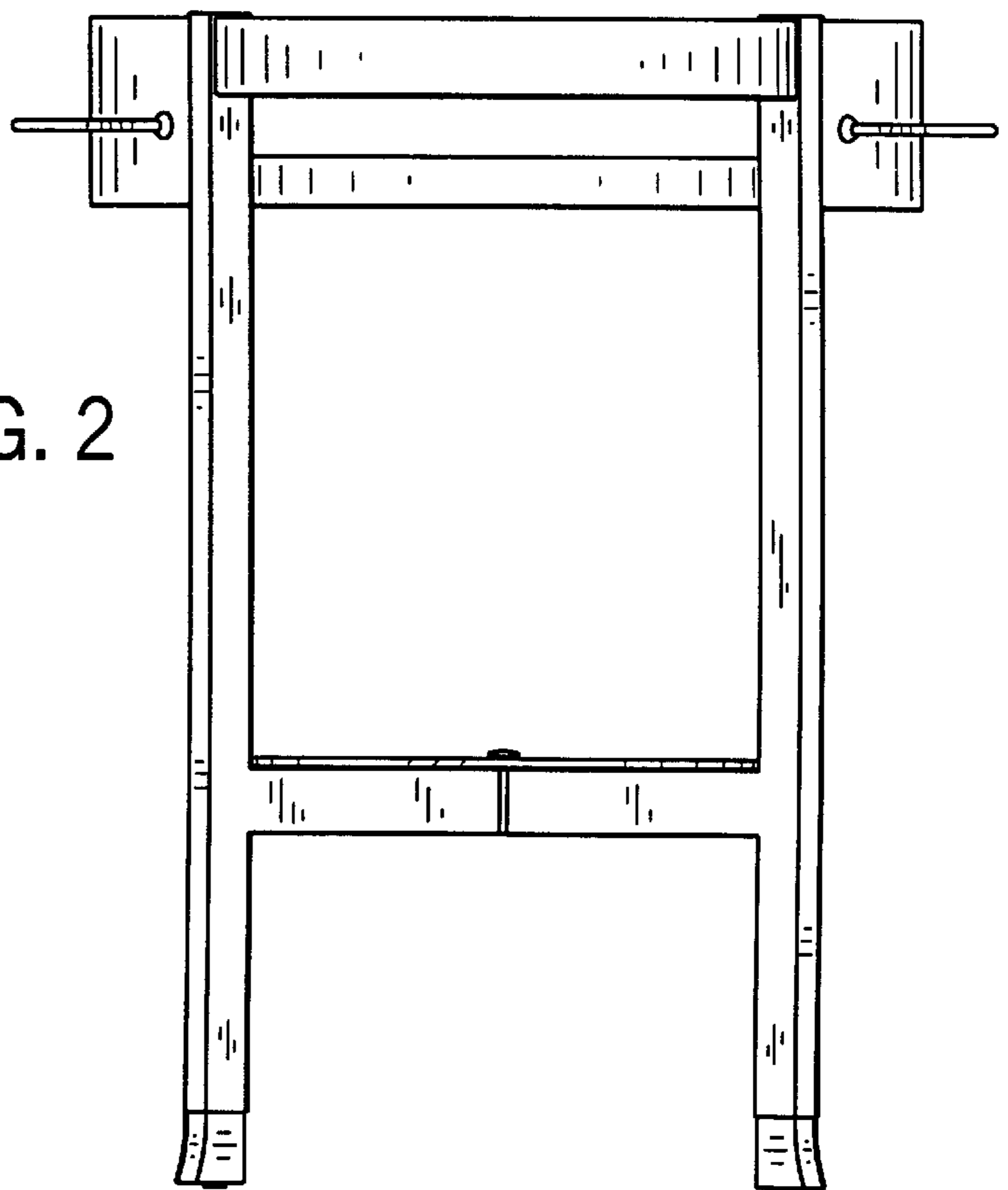


FIG. 2

FIG. 3

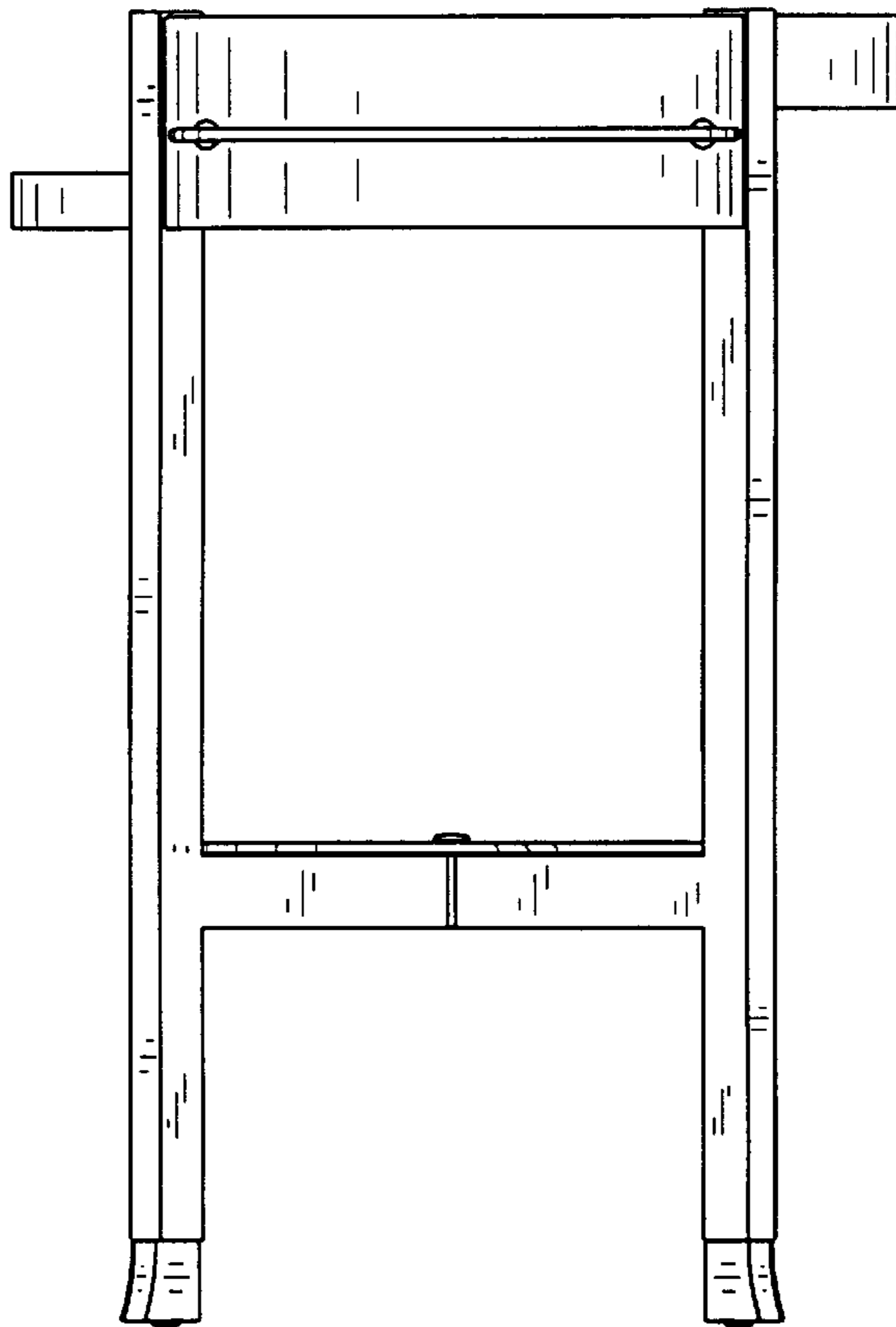


FIG. 4

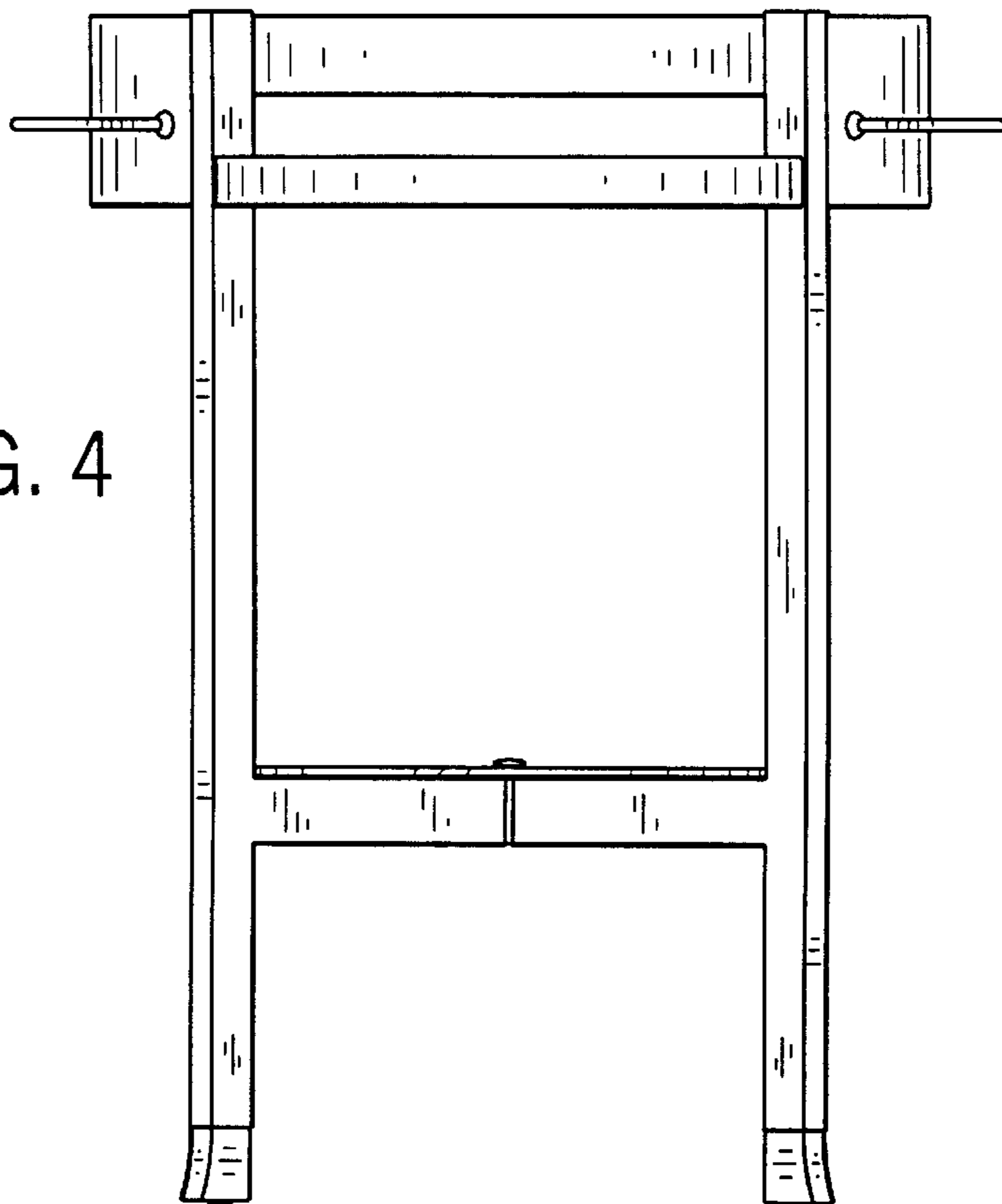


FIG. 5

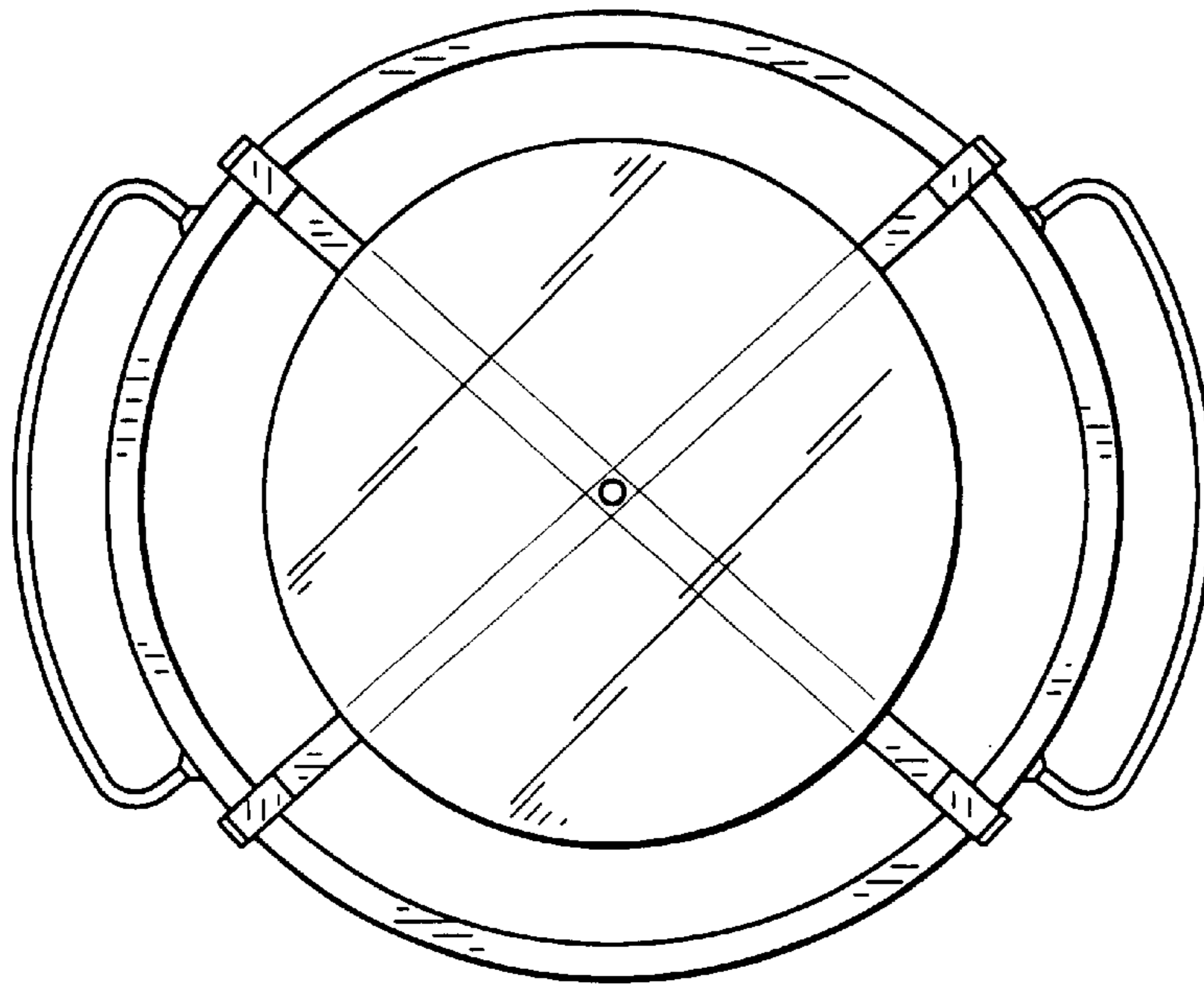


FIG. 6

