



US00D442671S

(12) **United States Design Patent**  
**Chih**

(10) **Patent No.:** **US D442,671 S**

(45) **Date of Patent:** **\*\* May 22, 2001**

(54) **WASHING GUN**

(76) Inventor: **Ti-An Chih**, No. 5, Tyan Yang Lane,  
Jaw An Li Luh Kang Chen, Chang Hua  
Hsien (TW)

(\*\*) Term: **14 Years**

(21) Appl. No.: **29/118,551**

(22) Filed: **Feb. 11, 2000**

(30) **Foreign Application Priority Data**

Aug. 12, 1999 (TW) ..... 88305343

(51) **LOC (7) Cl.** ..... **23-01**

(52) **U.S. Cl.** ..... **D23/223**

(58) **Field of Search** ..... D23/213, 223,  
D23/226, 229; 239/525-528, 532

(56) **References Cited**

**U.S. PATENT DOCUMENTS**

D. 180,343 \* 5/1957 Rich ..... D23/223

D. 314,649 \* 2/1991 Campbell et al. .... D23/223

D. 323,546 \* 1/1992 Story ..... D23/226

D. 419,641 \* 1/2000 Wilson ..... D23/223

\* cited by examiner

*Primary Examiner*—Robin V. Taylor

(74) *Attorney, Agent, or Firm*—Dougherty & Troxell

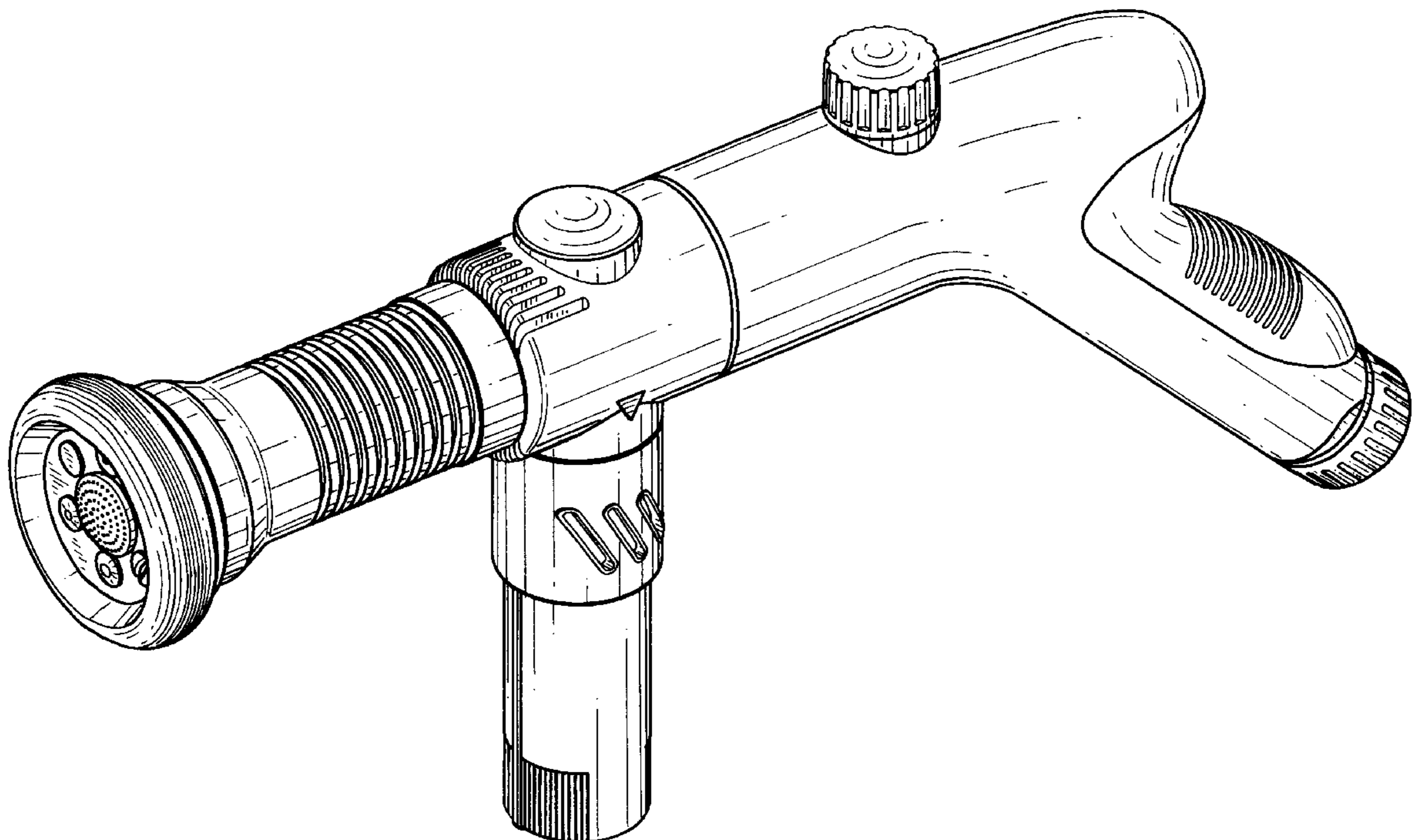
(57) **CLAIM**

The ornamental design for a washing gun, as shown.

**DESCRIPTION**

FIG. 1 is a left side view of my new, ornamental design;  
FIG. 2 is a right side view thereof;  
FIG. 3 is a front view thereof;  
FIG. 4 is a rear view thereof;  
FIG. 5 is a top view thereof;  
FIG. 6 is a bottom view thereof; and,  
FIG. 7 is a perspective view illustrating the left side, top and  
front thereof.

**1 Claim, 7 Drawing Sheets**



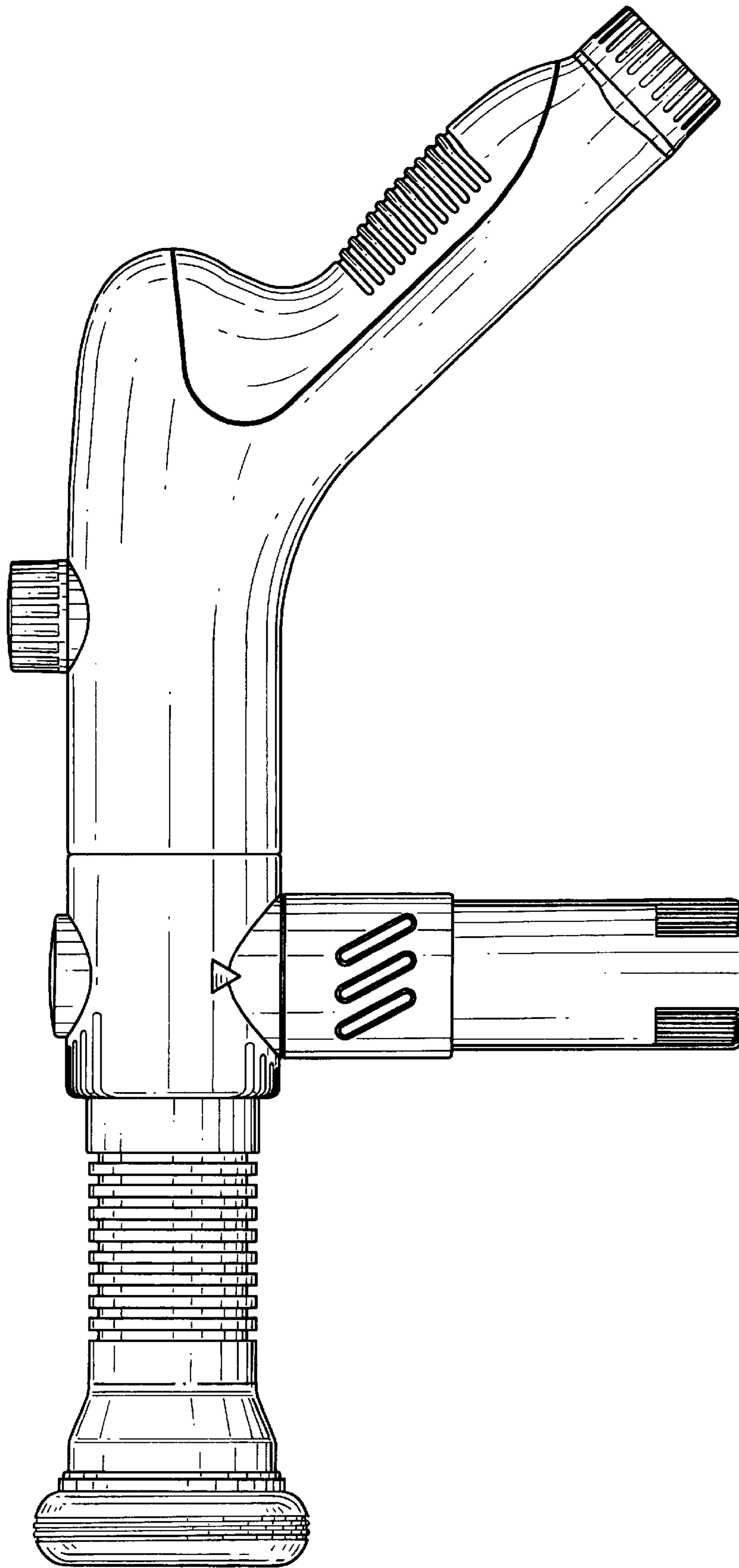


FIG1

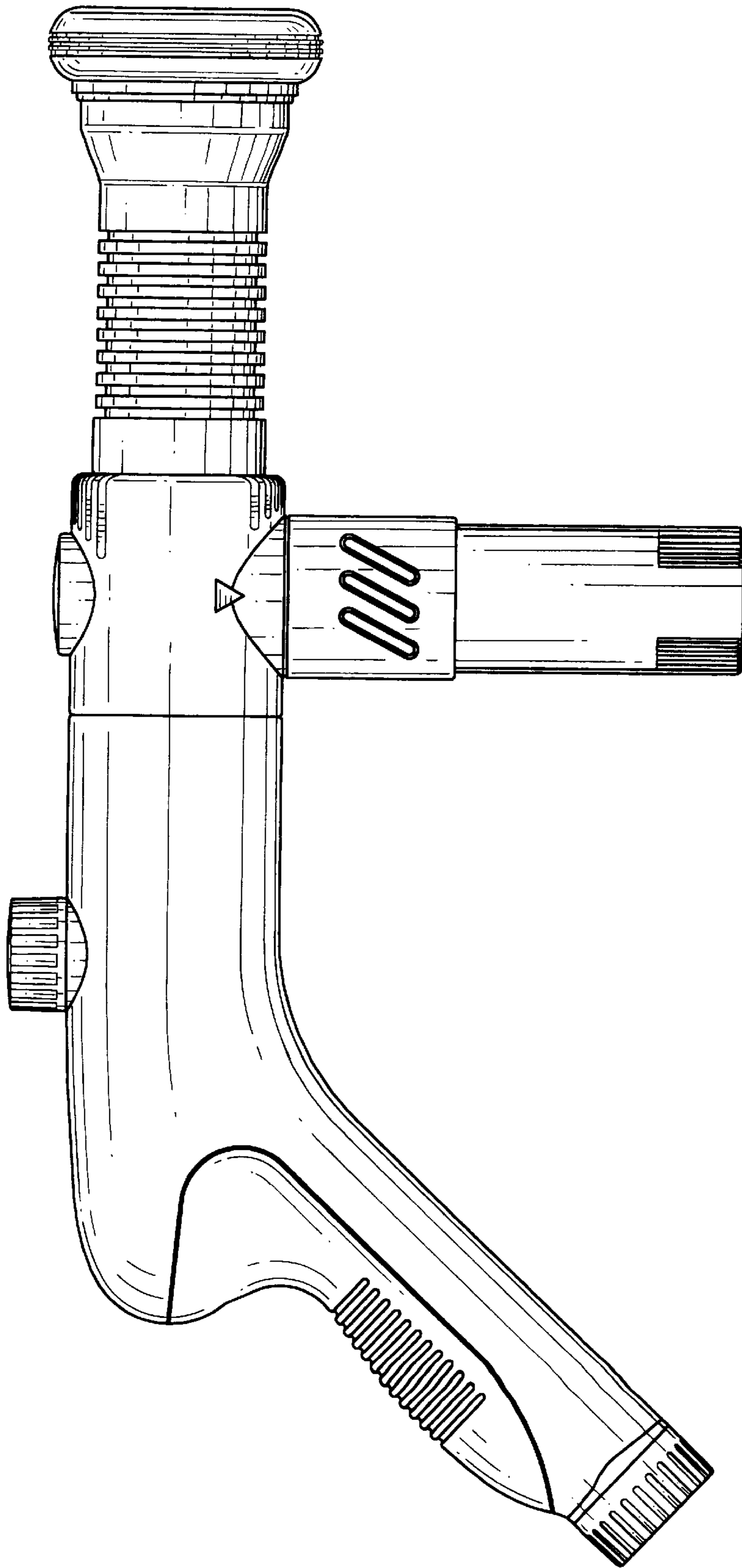


FIG2

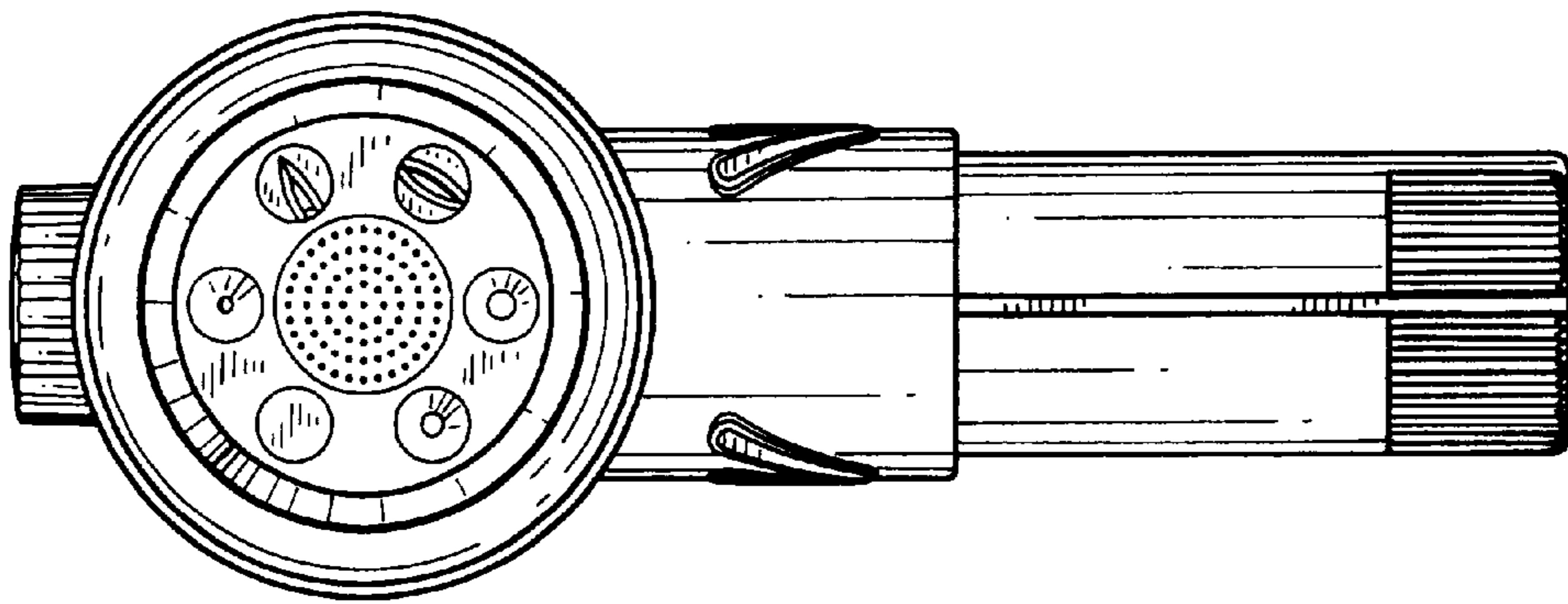


FIG 3

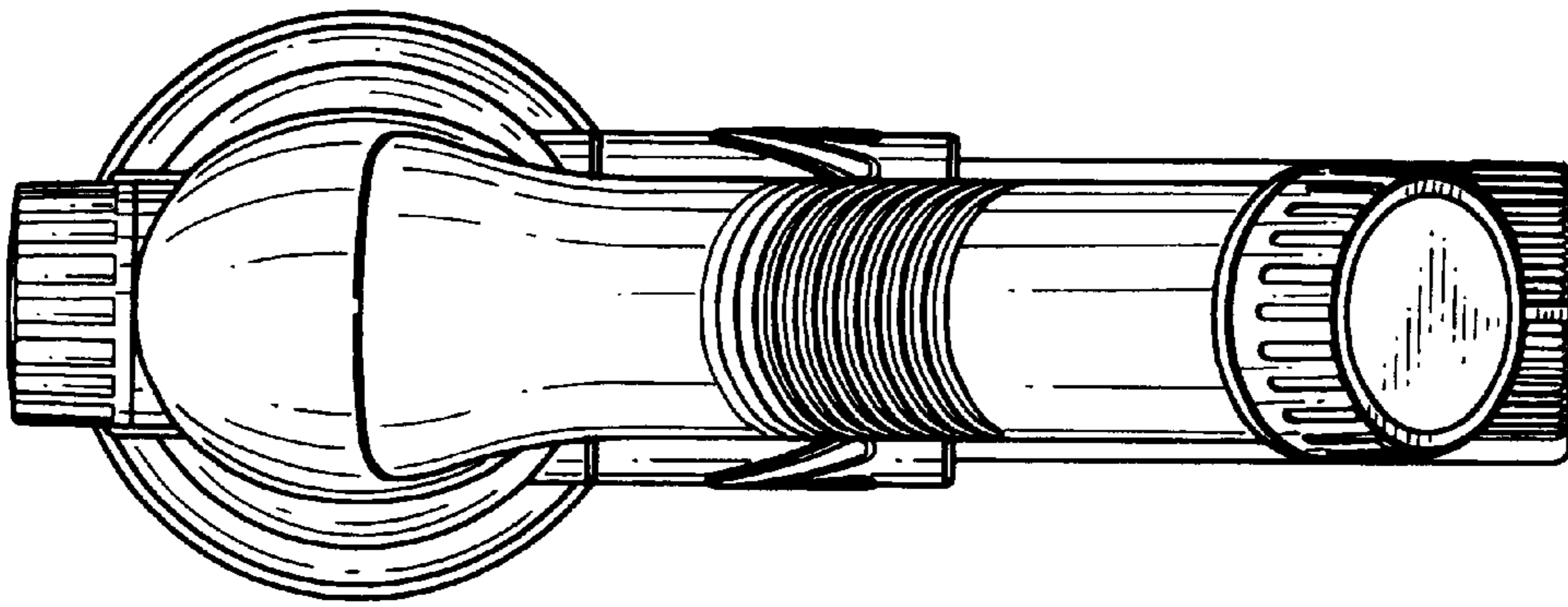


FIG 4

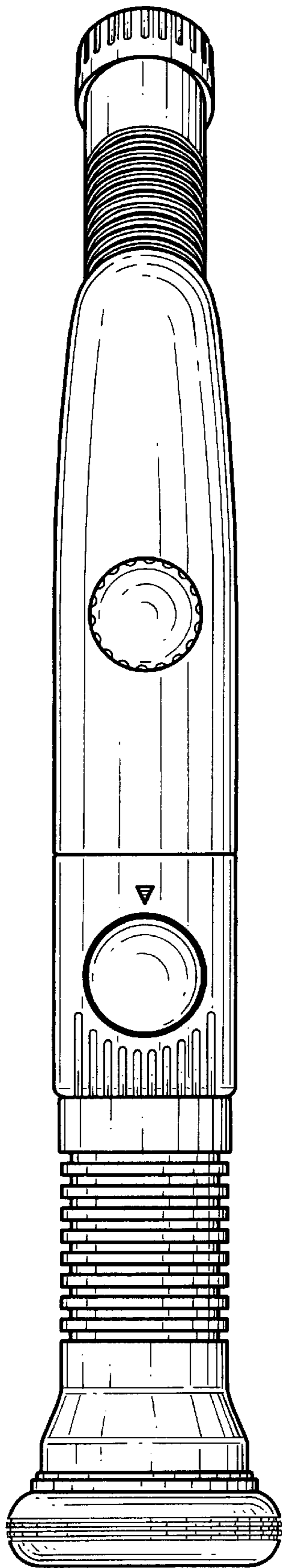


FIG5



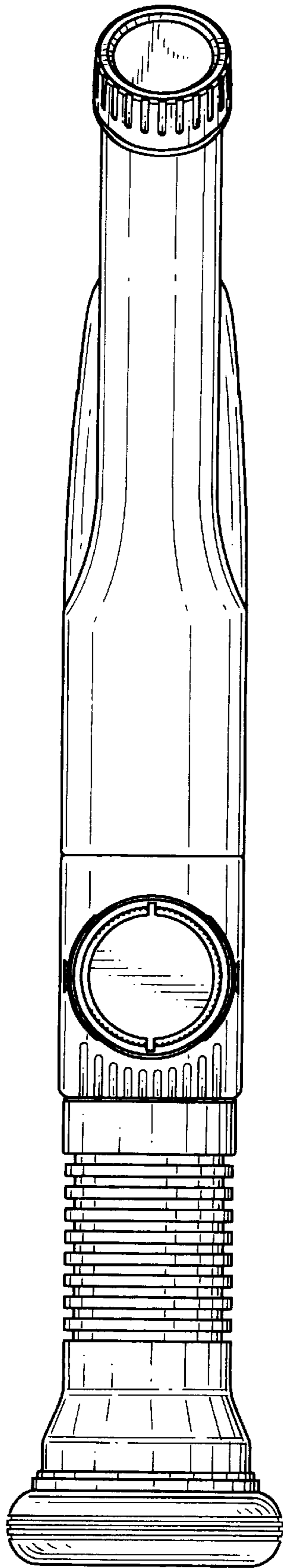


FIG6

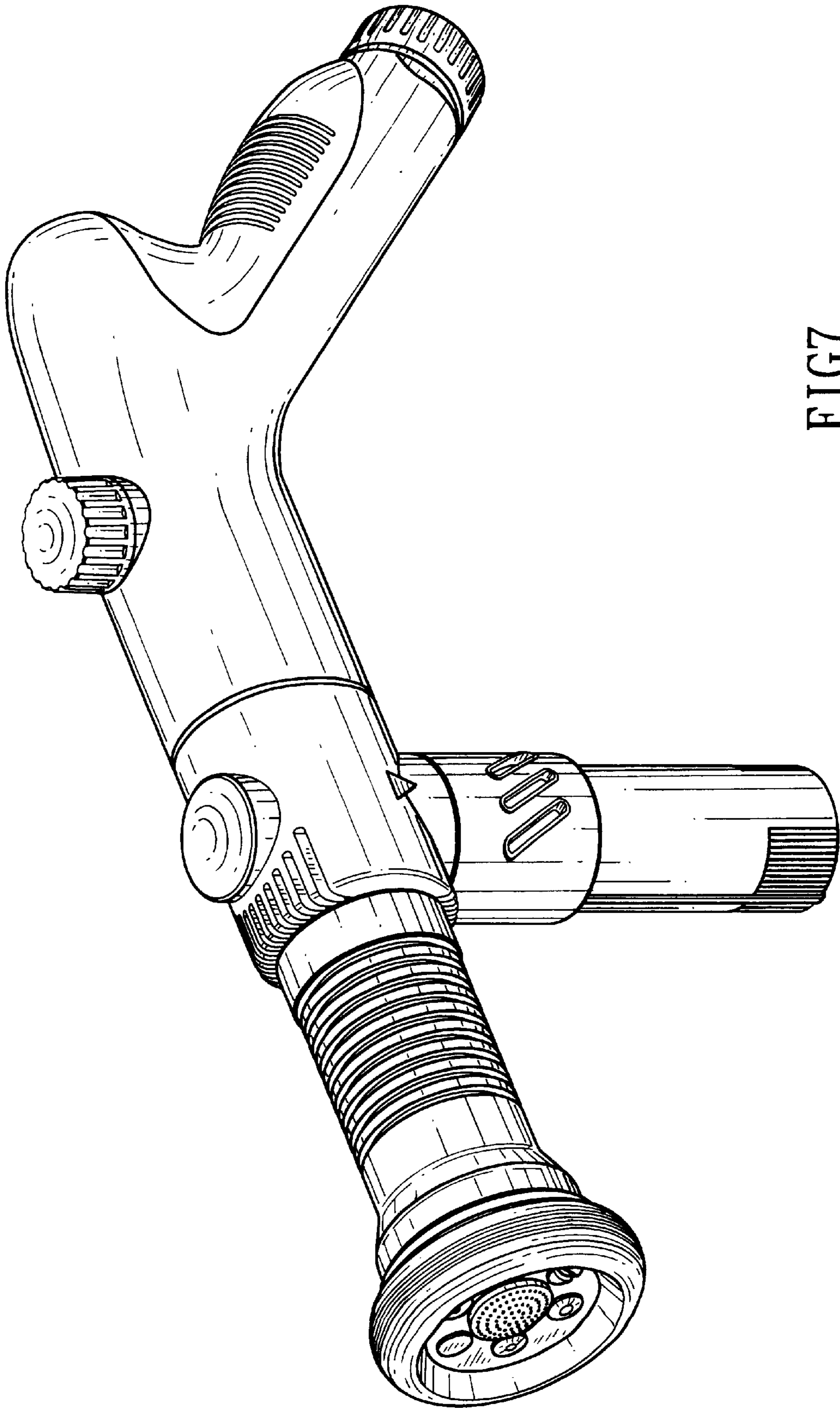


FIG7