



US00D442670S

(12) **United States Design Patent**
Maddox et al.

(10) **Patent No.:** **US D442,670 S**

(45) **Date of Patent:** **** May 22, 2001**

(54) **NOZZLE FOR DISPENSING FLUIDS**

(75) Inventors: **Jeffrey T. Maddox**, Hudson; **Rexford R. Mast**, Wooster; **Robert H. Yeager**, Twinsburg, all of OH (US)

(73) Assignee: **Joseph S. Kanfer**, Richfield, OH (US)

(**) Term: **14 Years**

(21) Appl. No.: **29/125,856**

(22) Filed: **Jul. 3, 2000**

Related U.S. Application Data

(62) Division of application No. 29/114,219, filed on Nov. 22, 1999.

(51) **LOC (7) Cl.** **23-01**

(52) **U.S. Cl.** **D23/213**

(58) **Field of Search** D23/213; 239/601, 239/390

(56) **References Cited**

U.S. PATENT DOCUMENTS

D. 288,954 * 3/1987 McDermott et al. D23/213

D. 366,051 * 1/1996 Lewis et al. D23/213

D. 418,495 * 4/1999 Adams D23/213

3,198,442 * 8/1965 Brenner 239/599

5,368,237 * 11/1994 Fulkerson 239/601

* cited by examiner

Primary Examiner—Robin V. Taylor

(74) *Attorney, Agent, or Firm*—Reese Taylor

(57) **CLAIM**

We claim the ornamental design for a nozzle for dispensing fluids, as shown and described.

DESCRIPTION

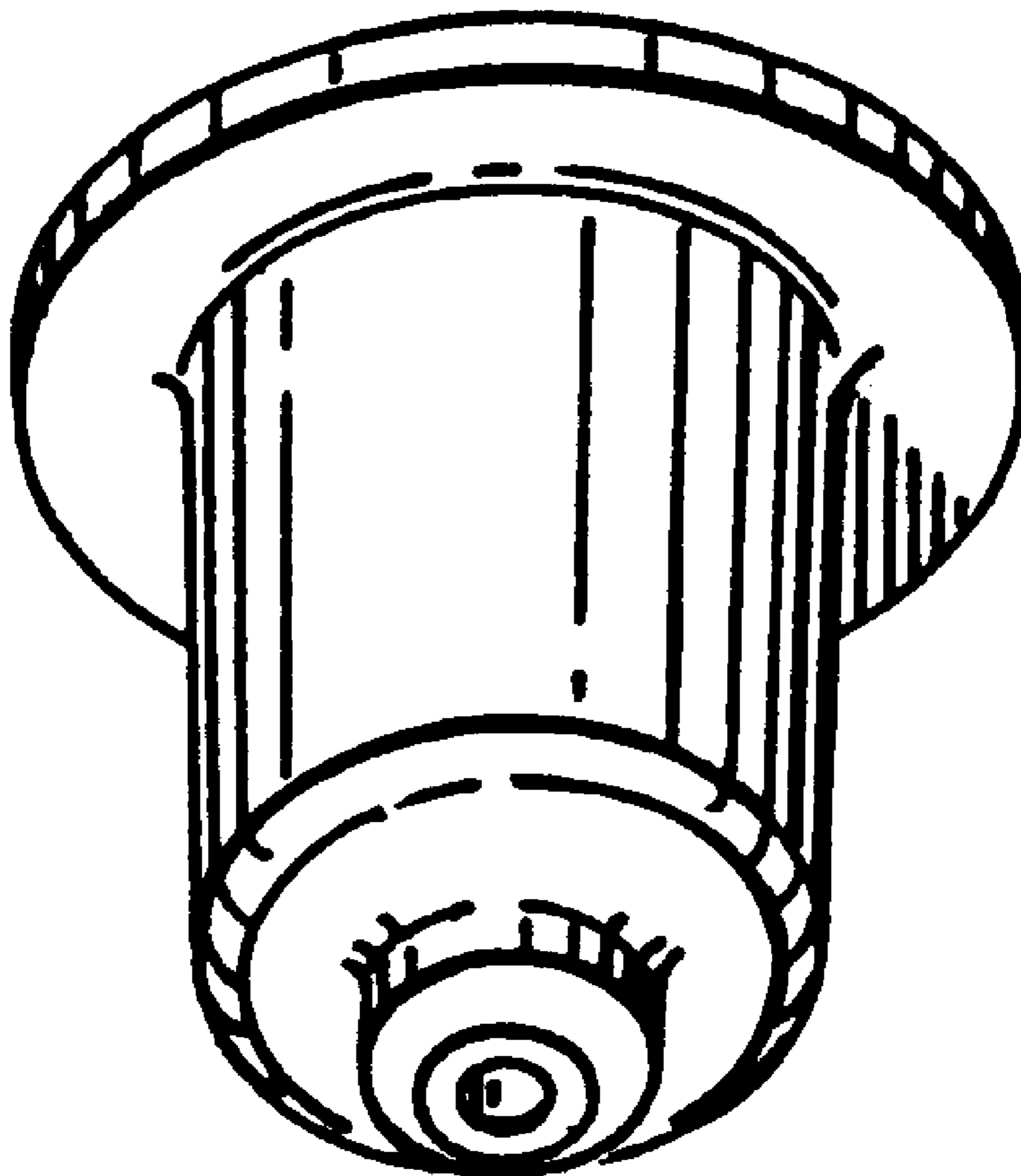
FIG. 1 is a perspective view of a nozzle for dispensing fluids showing our new design;

FIG. 2 is a side elevational view thereof;

FIG. 3 is a rear view thereof; and,

FIG. 4 is a front view thereof.

1 Claim, 1 Drawing Sheet



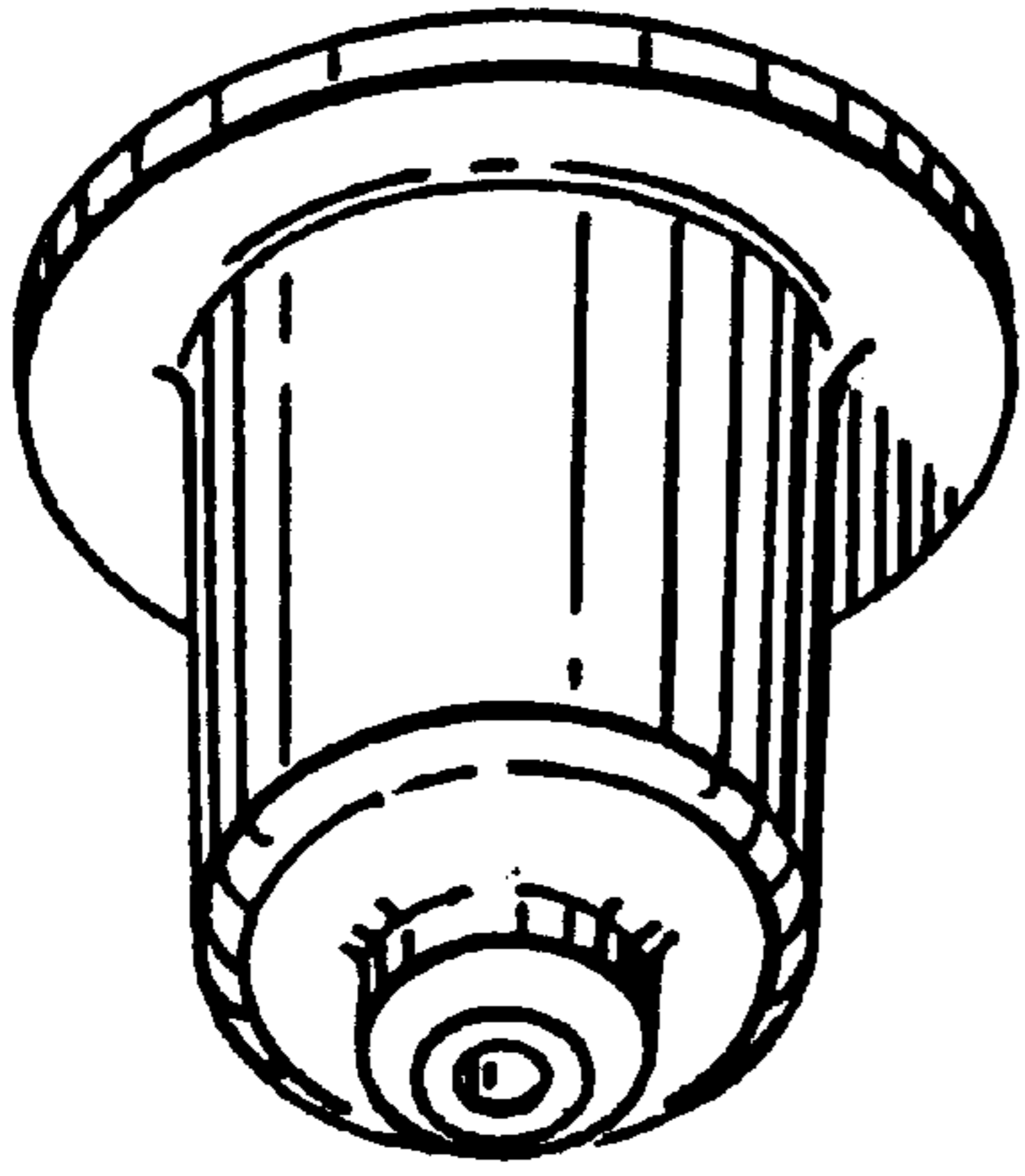


FIG. 1

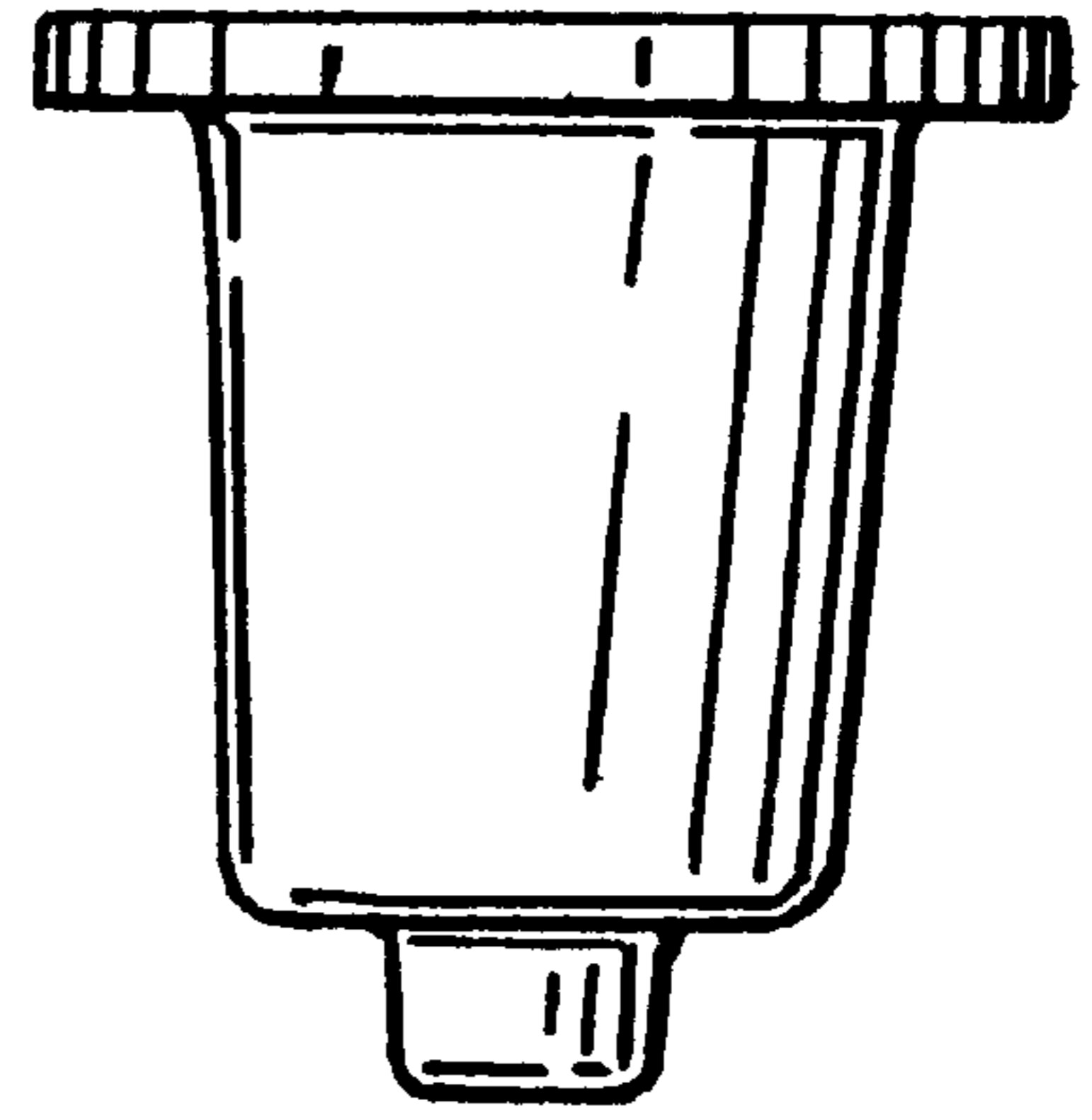


FIG. 2

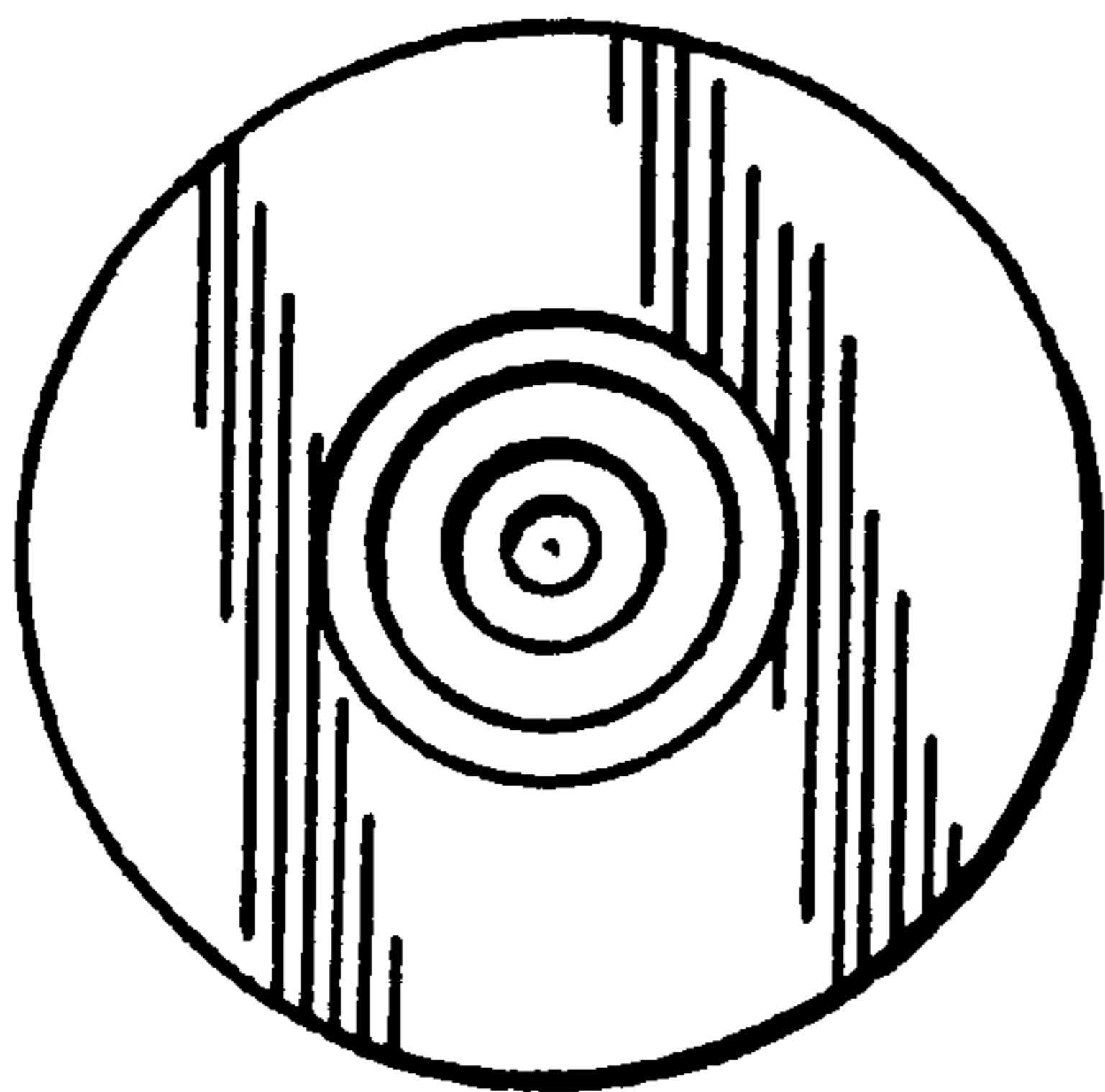


FIG. 3

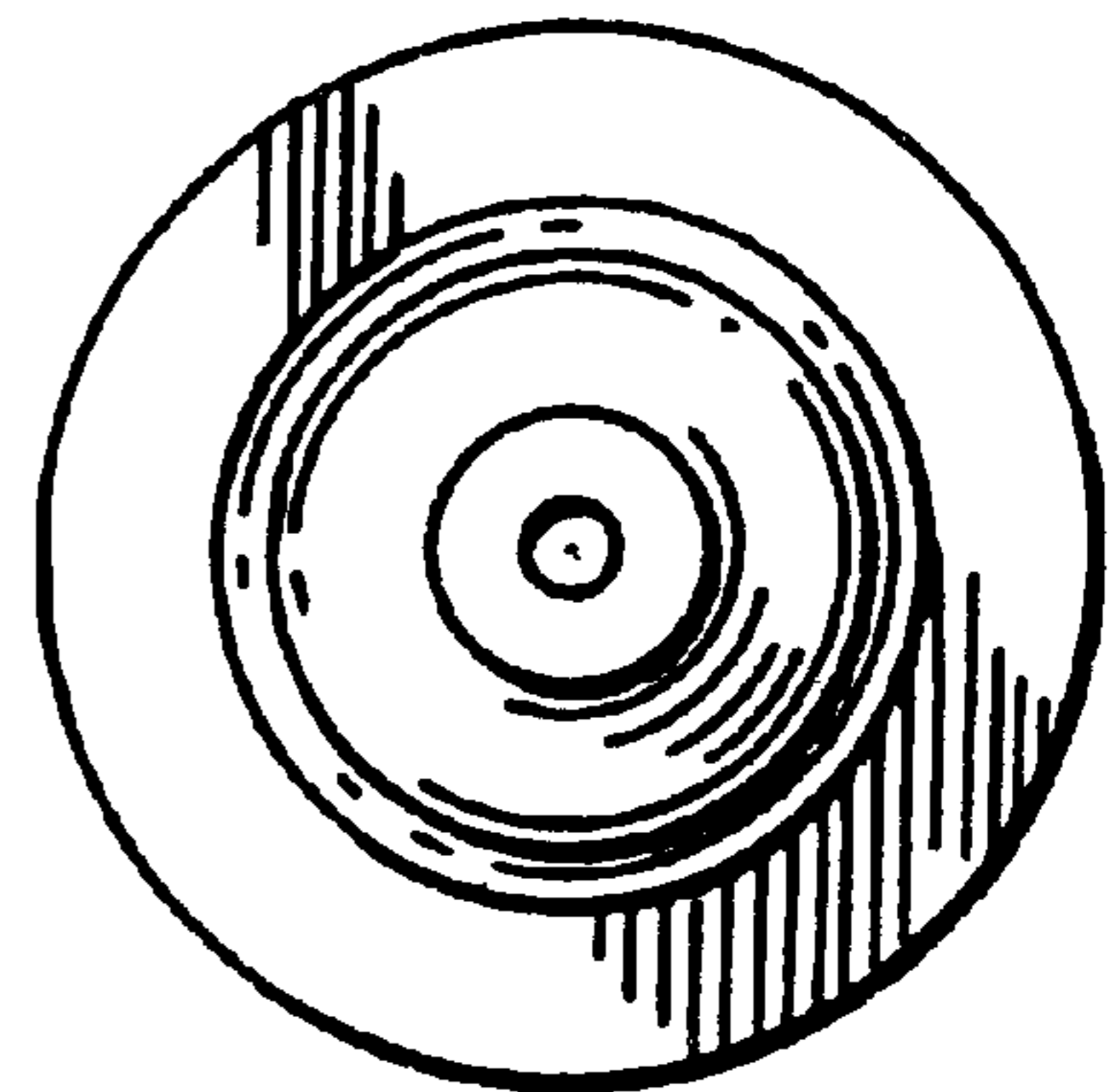


FIG. 4