



US00D442668S

(12) **United States Design Patent**
Tobias

(10) **Patent No.:** **US D442,668 S**

(45) **Date of Patent:** **** May 22, 2001**

(54) **SOLAR BAIT BUCKET COVER**

(75) Inventor: **Stewart W. Tobias**, Palmetto, FL (US)

(73) Assignee: **Noble Designs, Inc.**, Palmetto, FL (US)

(**) Term: **14 Years**

(21) Appl. No.: **29/126,469**

(22) Filed: **Jul. 18, 2000**

(51) **LOC (7) Cl.** **22-05**

(52) **U.S. Cl.** **D22/136**

(58) **Field of Search** D22/136, 134;
D32/53; 43/55, 56, 57

(56) **References Cited**

U.S. PATENT DOCUMENTS

D. 163,697	*	6/1951	Keiding et al.	D22/136
D. 328,775	*	8/1992	Galante	D22/136
D. 389,553		1/1998	Muto	.	
D. 425,600	*	5/2000	Pas et al.	D22/136
4,896,452		1/1990	Smith	.	

OTHER PUBLICATIONS

Plastilite Corporation 1996 Catalog, Buckets, p. 29.*

* cited by examiner

Primary Examiner—Louis S. Zarfaz

Assistant Examiner—Catherine R. Oliver

(57) **CLAIM**

The ornamental design for a solar bait bucket cover, as shown and described.

DESCRIPTION

FIG. 1 is a top, front and right side perspective view of the solar bait bucket cover, the broken line environment being for illustrative purposes only and forming no part of the claimed design.

FIG. 2 is a left side elevational view thereof;

FIG. 3 is a top plan view thereof;

FIG. 4 is a right side elevational view thereof;

FIG. 5 is a front elevational view thereof;

FIG. 6 is a rear side elevational view thereof; and,

FIG. 7 is a bottom plan view thereof.

1 Claim, 2 Drawing Sheets

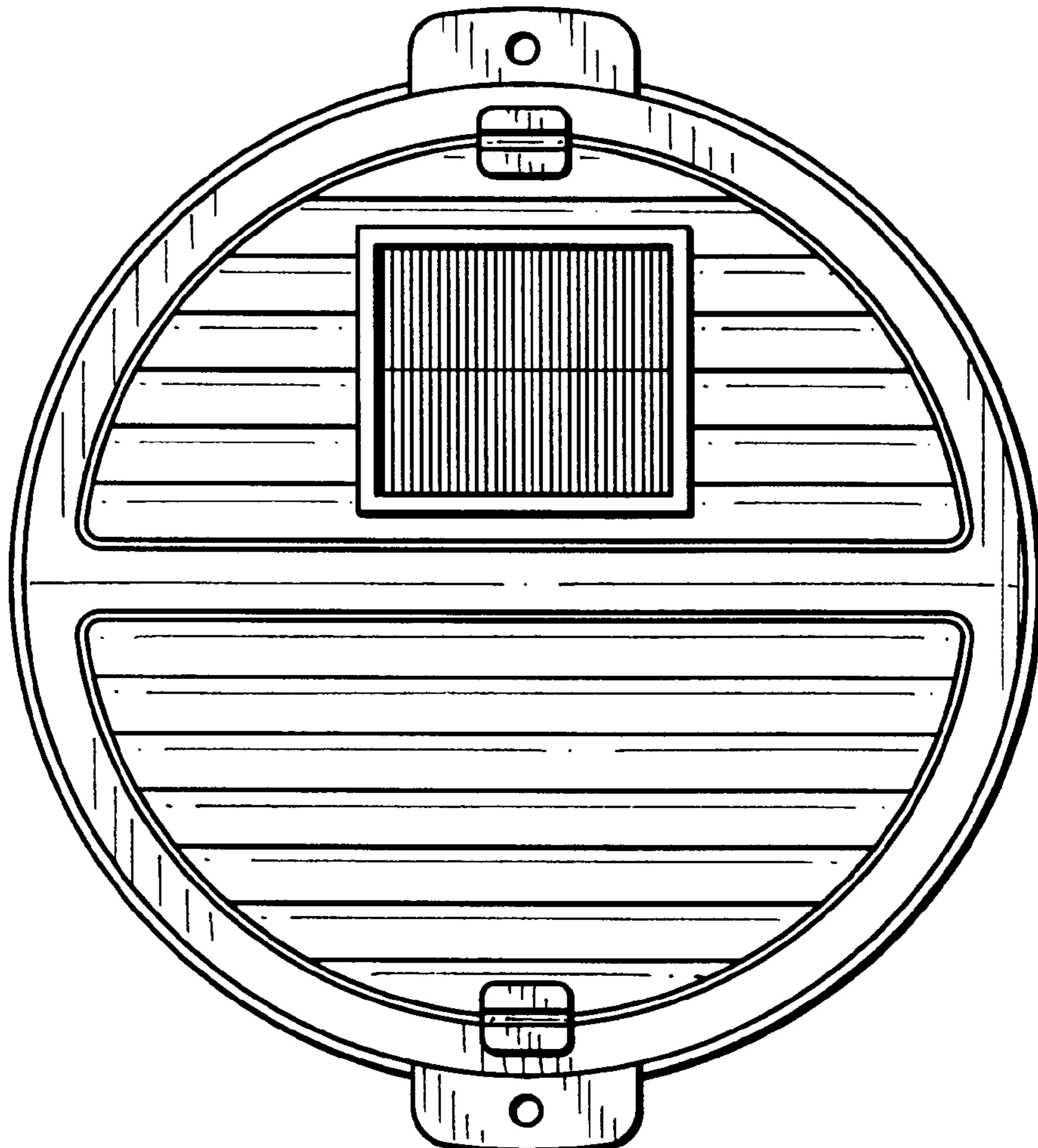


FIG. 1

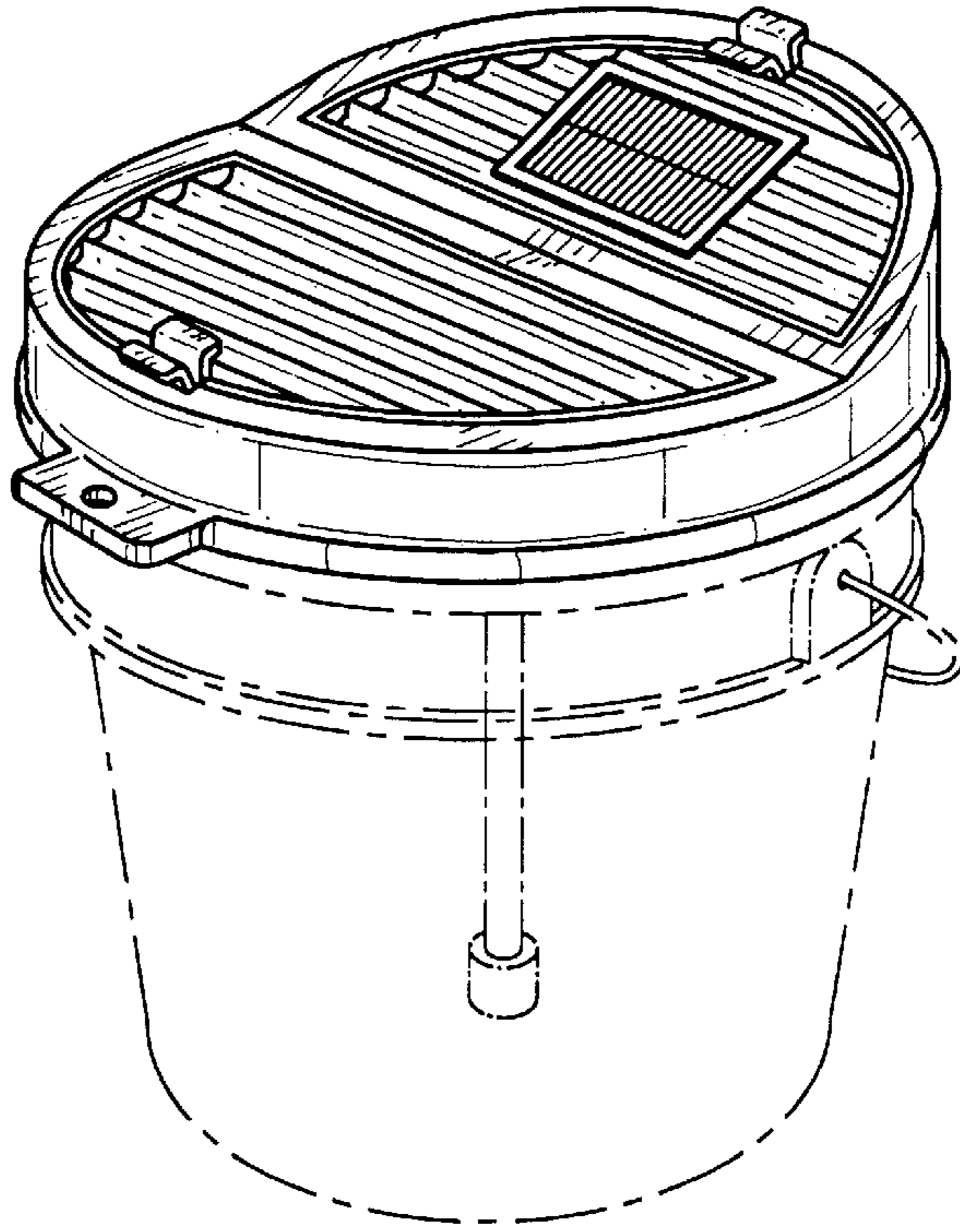
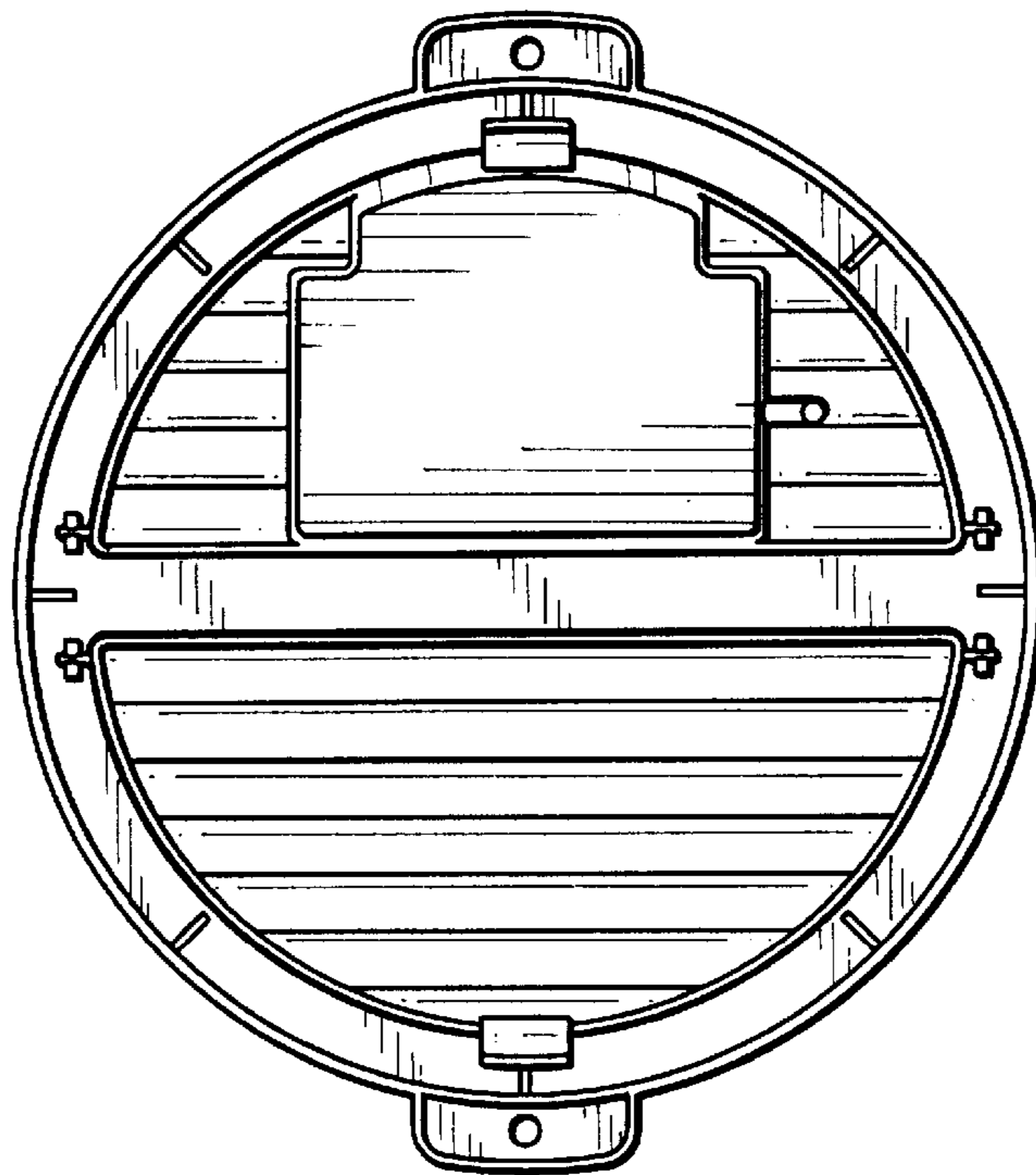


FIG. 7



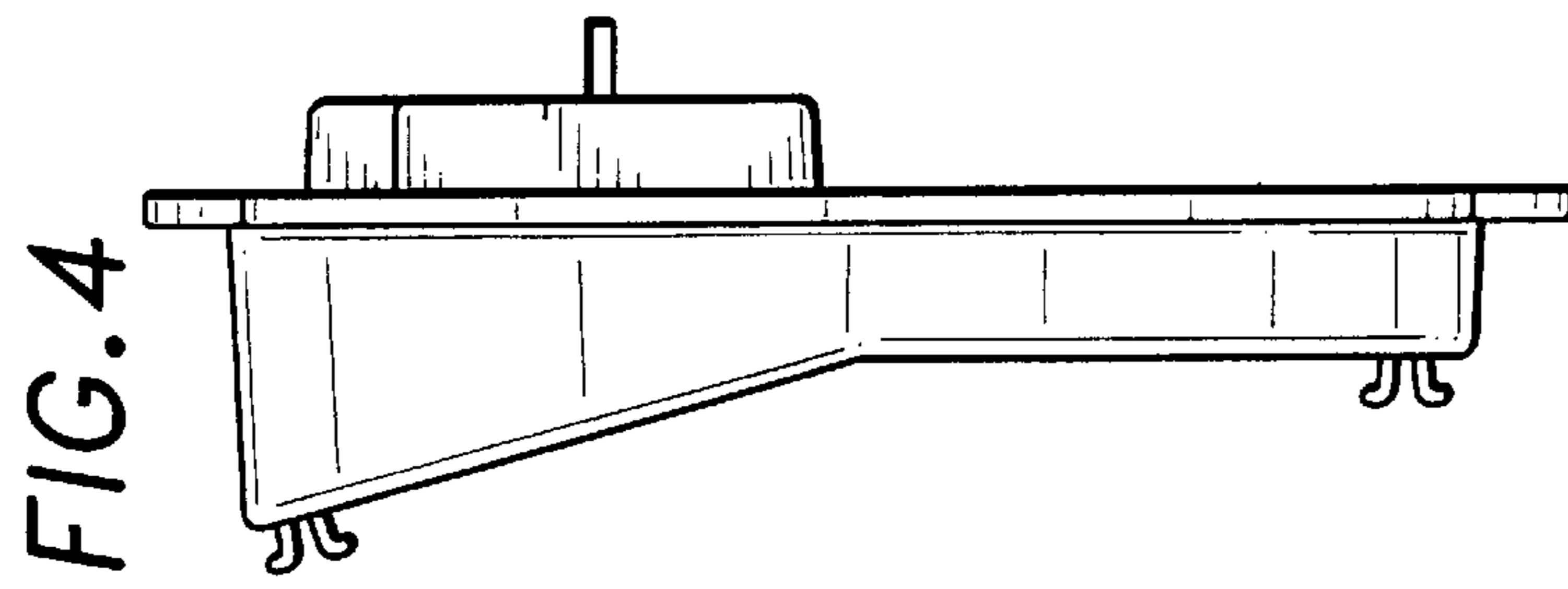


FIG. 3

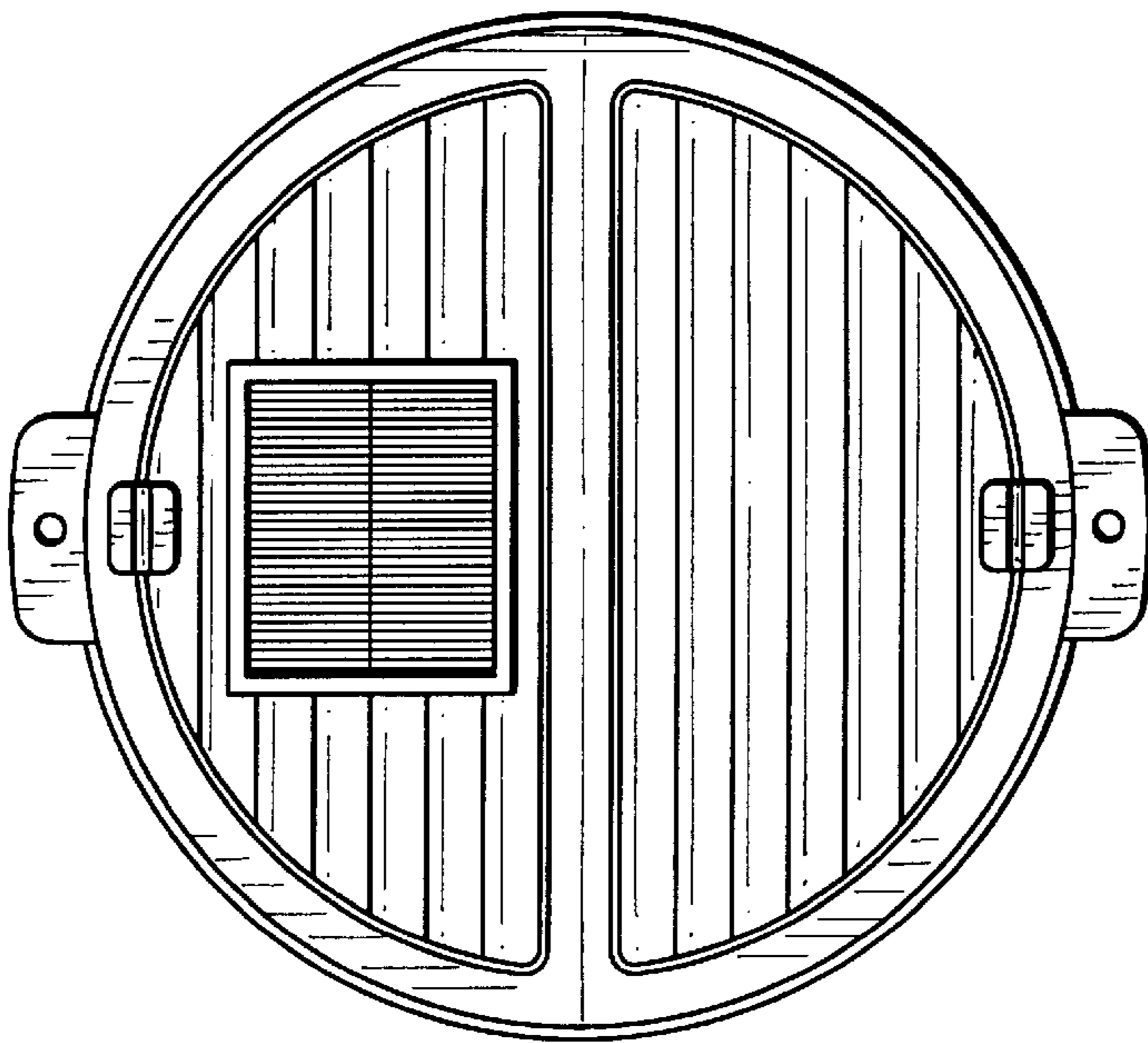


FIG. 4

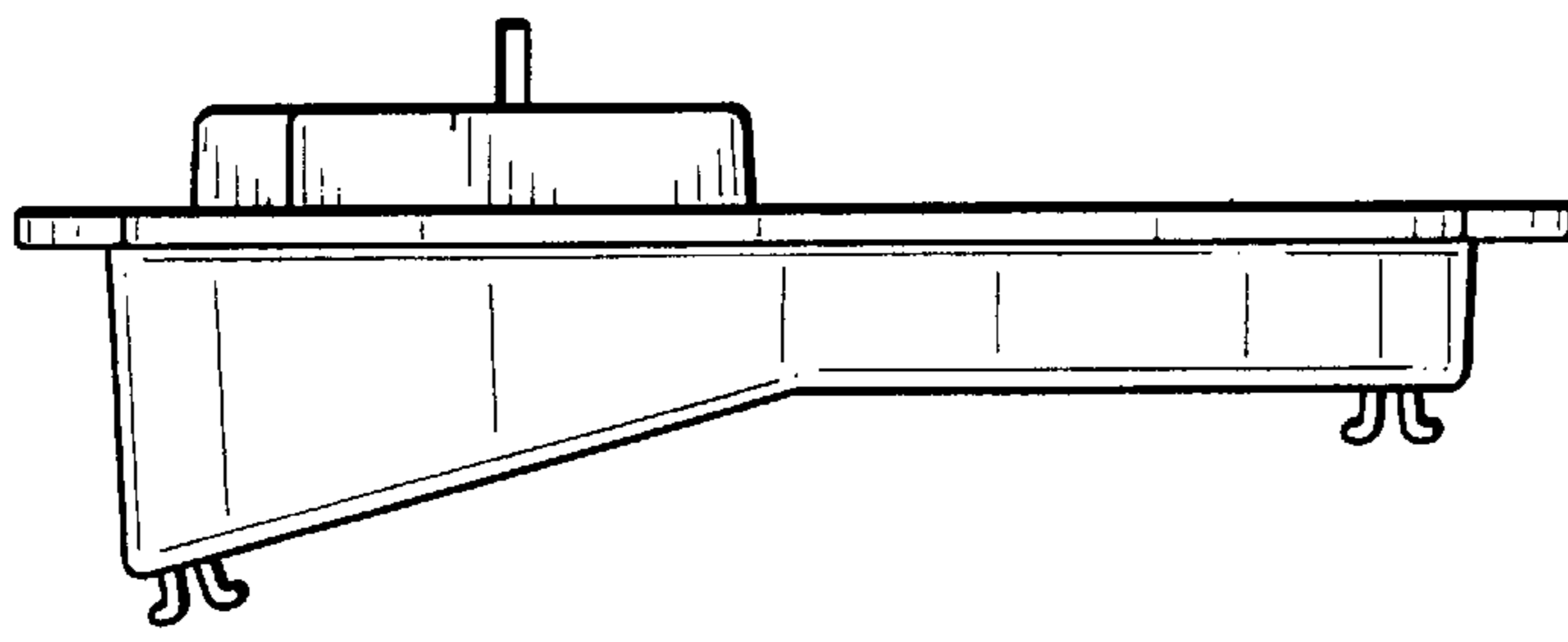


FIG. 5

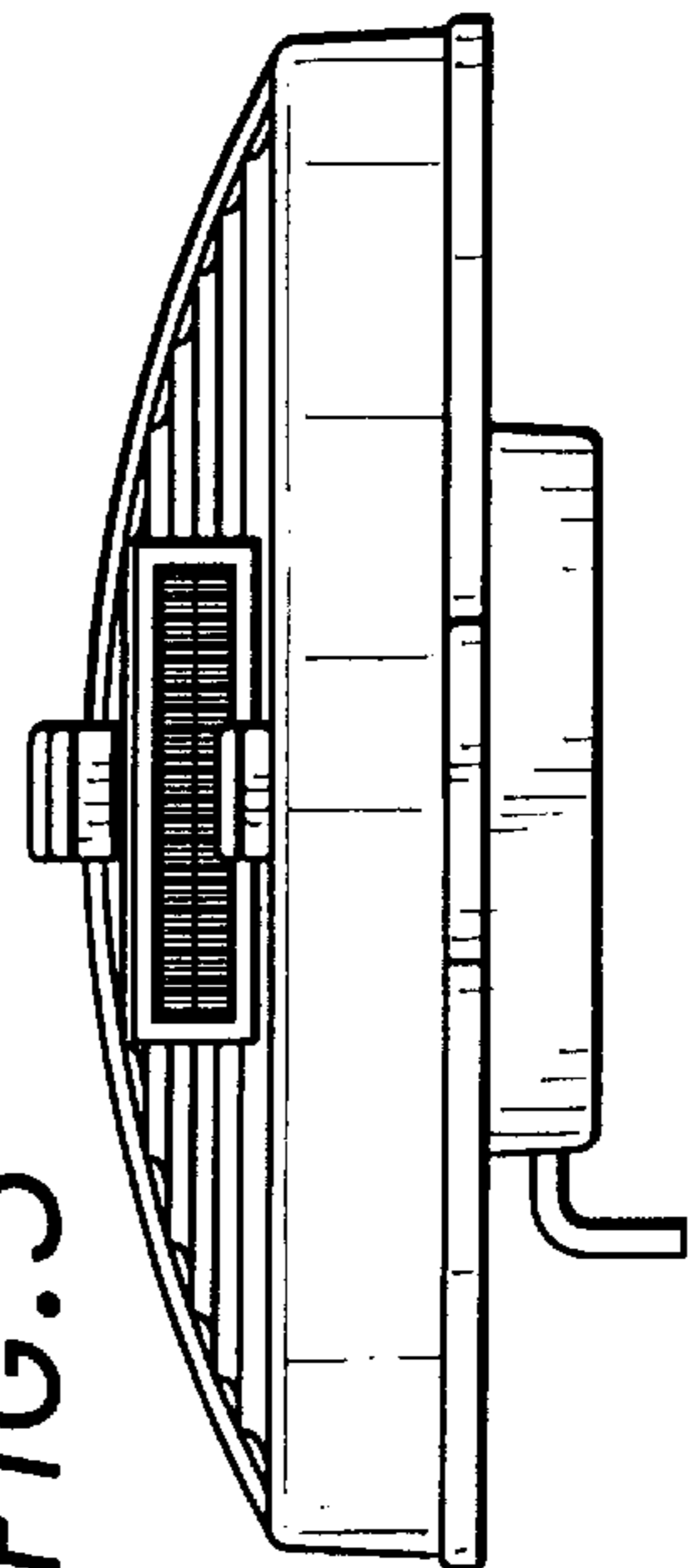


FIG. 6

