



US00D442666S

(12) **United States Design Patent**
Marshall

(10) **Patent No.:** **US D442,666 S**

(45) **Date of Patent:** **** May 22, 2001**

(54) **SHARPENED NOSE PENETRATOR**

6,123,289 * 9/2000 Manole et al. 102/501 X

(75) Inventor: **Thomas C. Marshall**, Milpitas, CA
(US)

* cited by examiner

(73) Assignee: **Lockheed Martin Corporation**,
Bethesda, MD (US)

Primary Examiner—Ian Simmons

Assistant Examiner—Monica Weingart

(74) *Attorney, Agent, or Firm*—Burns, Doane, Swecker &
Mathis, LLP

(**) Term: **14 Years**

(57) **CLAIM**

(21) Appl. No.: **29/120,416**

The ornamental design for a sharpened nose penetrator, as shown and described.

(22) Filed: **Mar. 21, 2000**

DESCRIPTION

(51) **LOC (7) Cl.** **22-03**

(52) **U.S. Cl.** **D22/115**

(58) **Field of Search** D22/115, 116;
102/501, 517, 518, 519, 521, 524

FIG. 1 is a perspective view showing my new design;

FIG. 2 is a side view thereof;

FIG. 3 is an front end view thereof;

FIG. 4 is an aft end view thereof;

FIG. 5 is a side view of an alterative embodiment of my new design; and,

FIG. 6 is a front end view thereof.

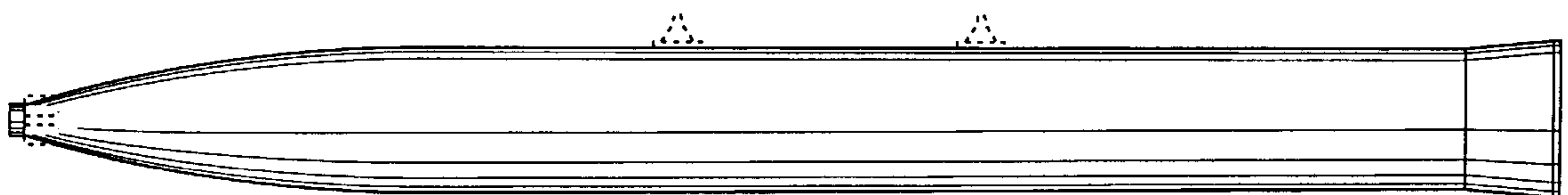
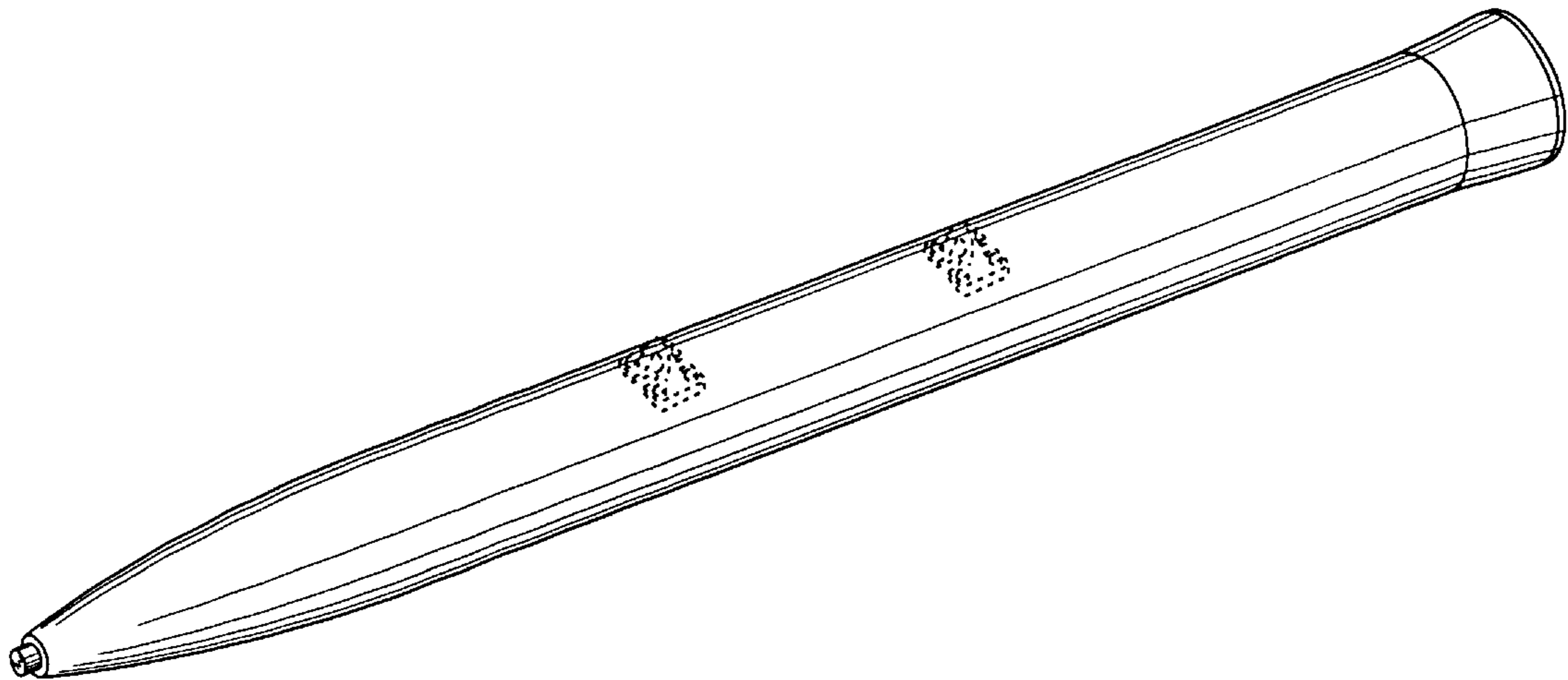
The broken line showing of external hardware in FIGS. 1-6 is for illustrative purposes only and forms no part of the claimed design.

(56) **References Cited**

U.S. PATENT DOCUMENTS

- 465,230 * 12/1891 Wilson, Jr. 102/519
- 1,150,667 * 8/1915 Dunwoody 102/518
- 2,922,366 * 1/1960 Lyon 102/519
- 4,085,678 * 4/1978 Heincker 102/519
- 4,967,666 * 11/1990 Kellner et al. 102/517 X

1 Claim, 3 Drawing Sheets



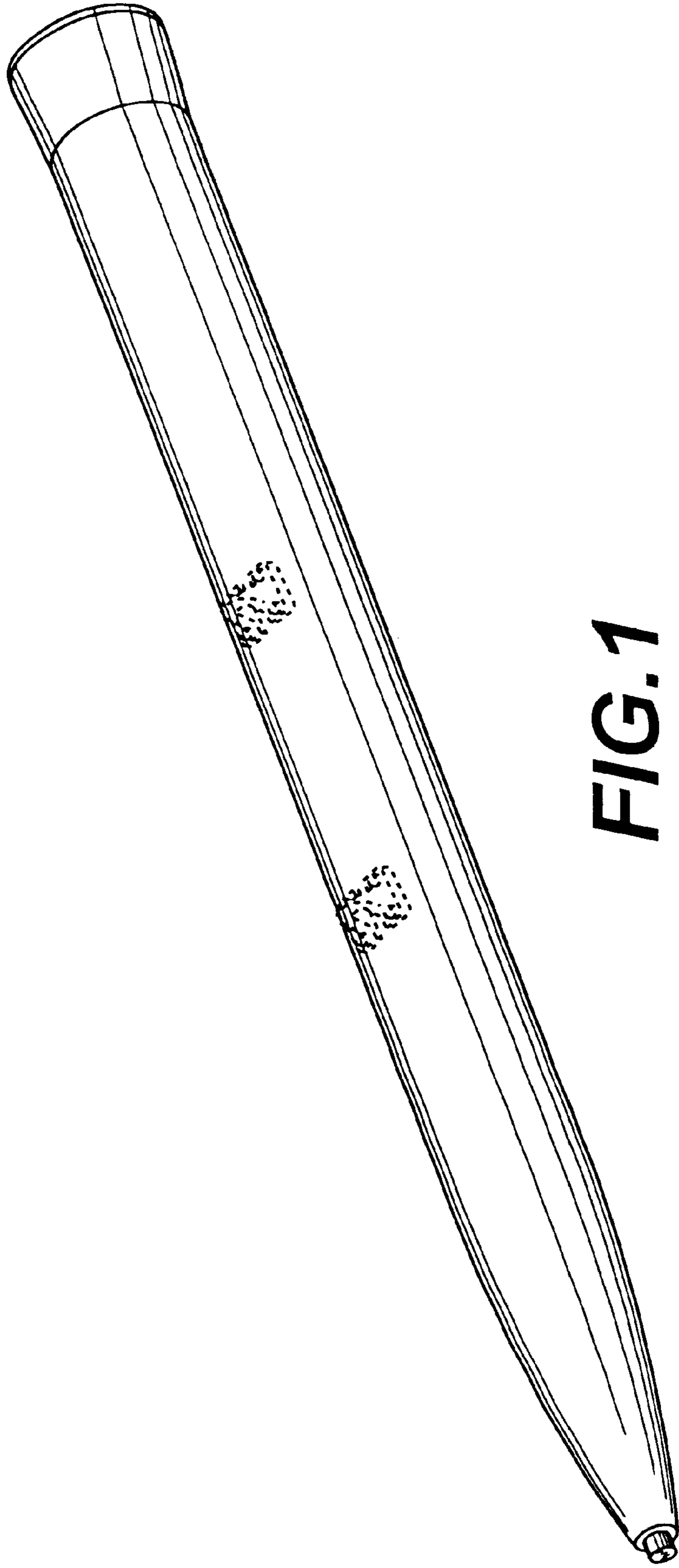


FIG. 1

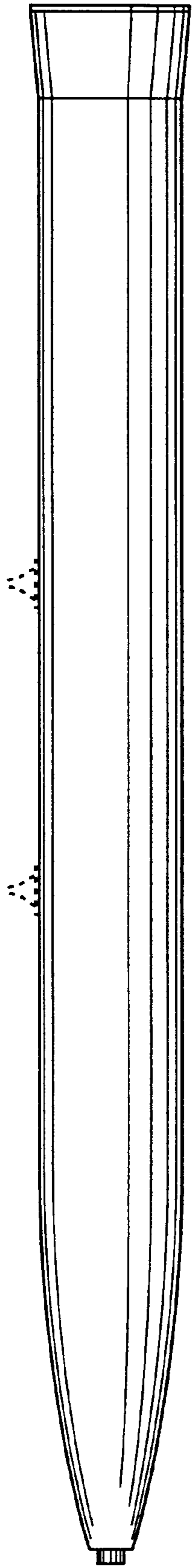


FIG. 2

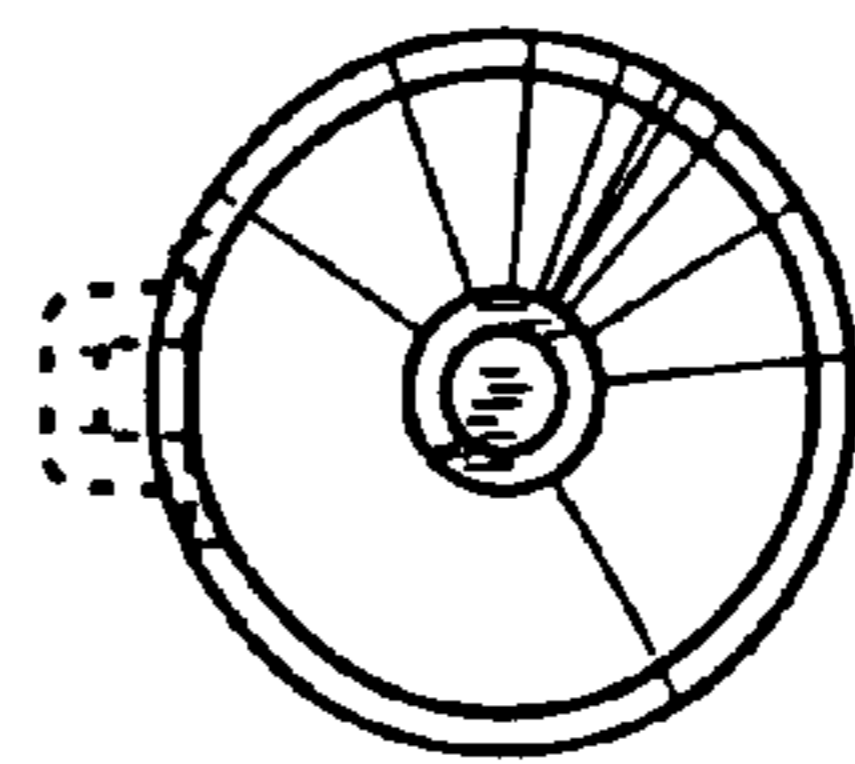


FIG. 3

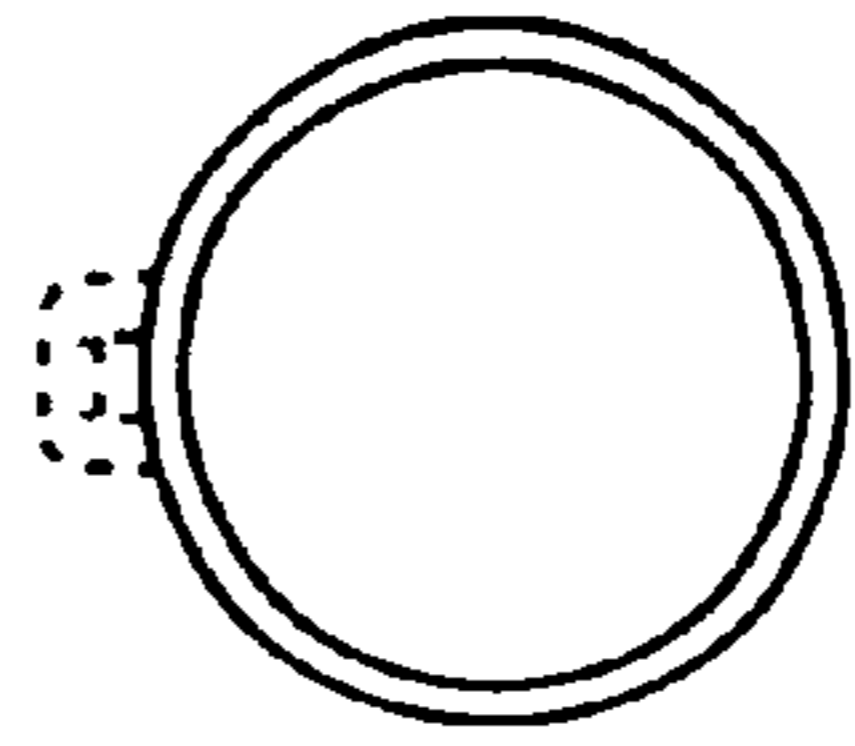


FIG. 4

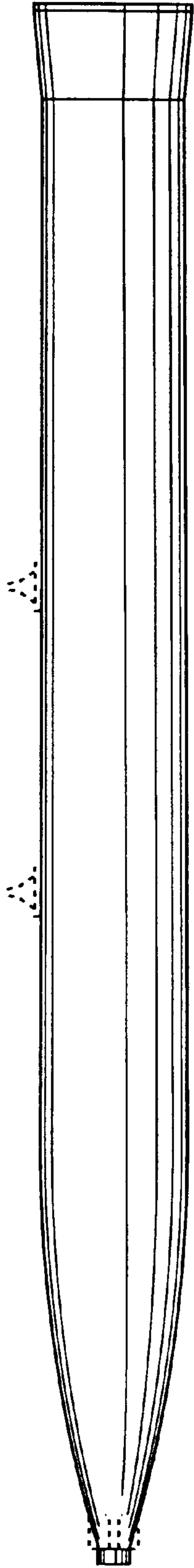


FIG. 5

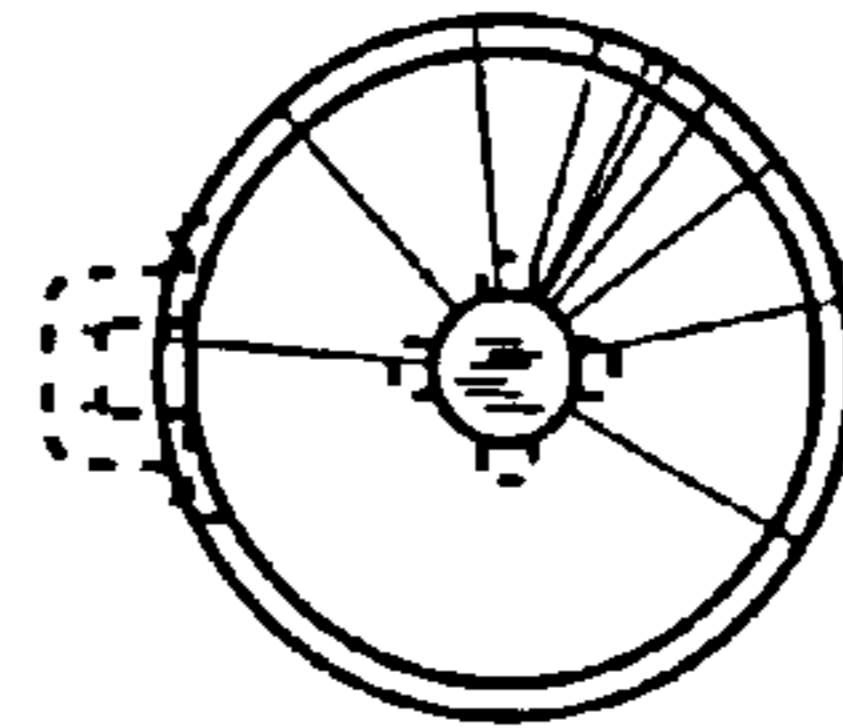


FIG. 6