



US00D442665S

(12) **United States Design Patent**  
**Caudle et al.**

(10) **Patent No.:** **US D442,665 S**

(45) **Date of Patent:** **\*\* May 22, 2001**

(54) **ARCHERY BOW STABILIZER**

(75) Inventors: **Jackie R. Caudle**, Gadsden; **Durvyn M. Howard**, Hokes Bluff, both of AL (US)

(73) Assignee: **X-Ring Archery Products, Inc.**, Richmond, KY (US)

(\*\*) Term: **14 Years**

(21) Appl. No.: **29/110,217**

(22) Filed: **Sep. 2, 1999**

(51) **LOC (7) Cl.** ..... **22-01**

(52) **U.S. Cl.** ..... **D22/107**

(58) **Field of Search** ..... D22/100, 107, D22/199; 124/86, 89; D8/99, 105; 7/158

(56) **References Cited**

**U.S. PATENT DOCUMENTS**

D. 333,418	*	2/1993	Thompson et al.	.....	D8/99
D. 379,293	*	5/1997	Schultz	.....	D8/99 X
D. 386,552	*	11/1997	Kunz	.....	D22/107
D. 389,551	*	1/1998	Fitzgerald, Jr.	.....	D22/107
4,633,846		1/1987	Ipock	.	
4,944,392	*	7/1990	Hull et al.	.....	7/158 X
5,379,542	*	1/1995	Guzman	.....	7/158 X
5,513,622	*	5/1996	Musacchia, Sr.	.....	124/89
5,520,164	*	5/1996	Huddleston	.....	124/86

5,617,664	*	4/1997	Troncoso	.....	124/89 X
5,669,370	*	9/1997	Breedlove	.....	124/89
5,996,570	*	12/1999	Legate	.....	124/89

\* cited by examiner

*Primary Examiner*—Ian Simmons

*Assistant Examiner*—Monica A. Weingart

(74) *Attorney, Agent, or Firm*—Carrithers Law Office; David W. Carrithers

(57) **CLAIM**

The ornamental design for an archery bow stabilizer, as shown and described.

**DESCRIPTION**

FIG. 1 is a elevated side view of an archery bow stabilizer in accordance with our design;

FIG. 2 is a front end view thereof;

FIG. 3 is a rear end view thereof;

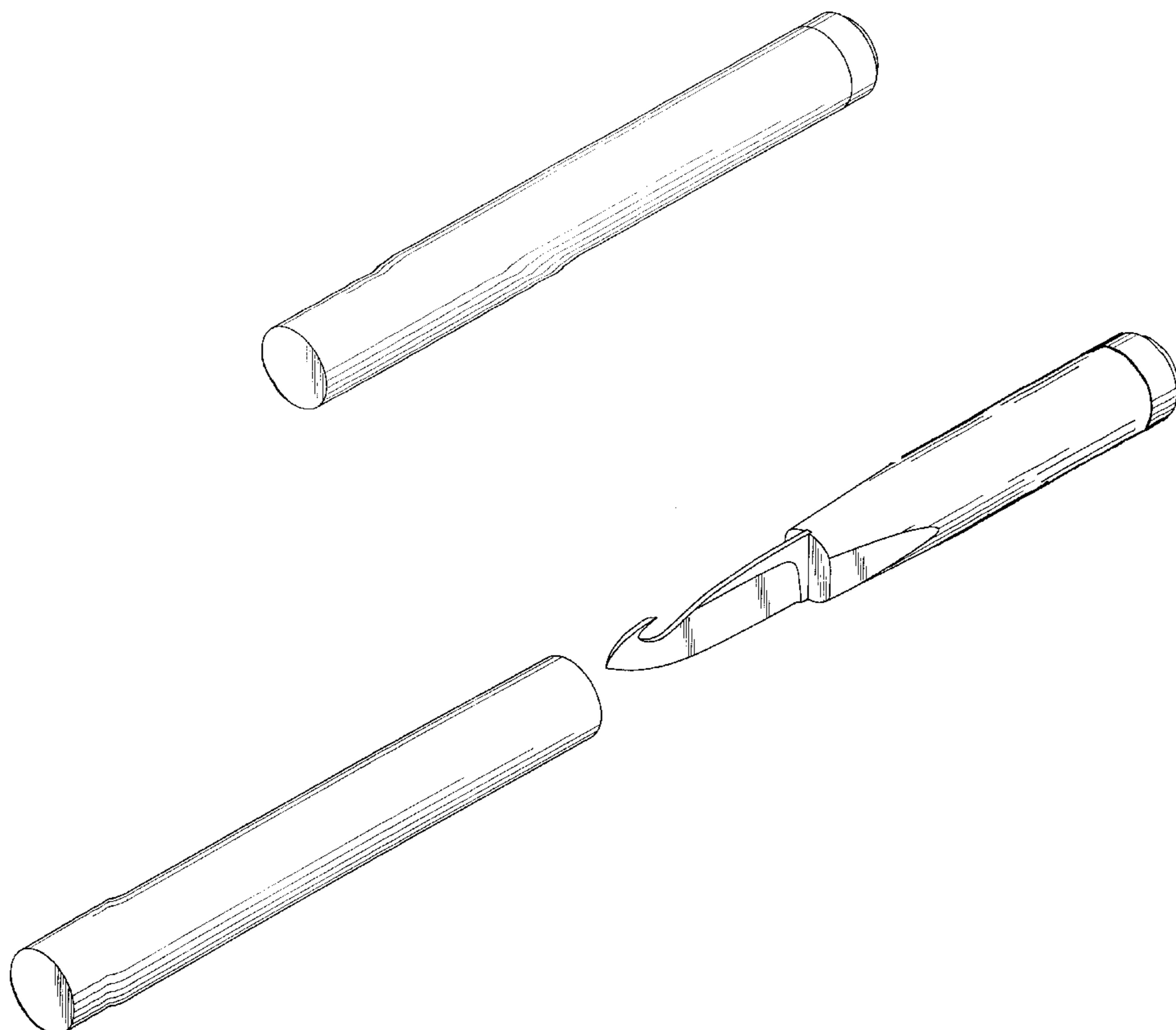
FIG. 4 is a perspective view thereof;

FIG. 5 is a side elevational view on a reduced scale mounted to an archery bow shown in broken lines thereof; and,

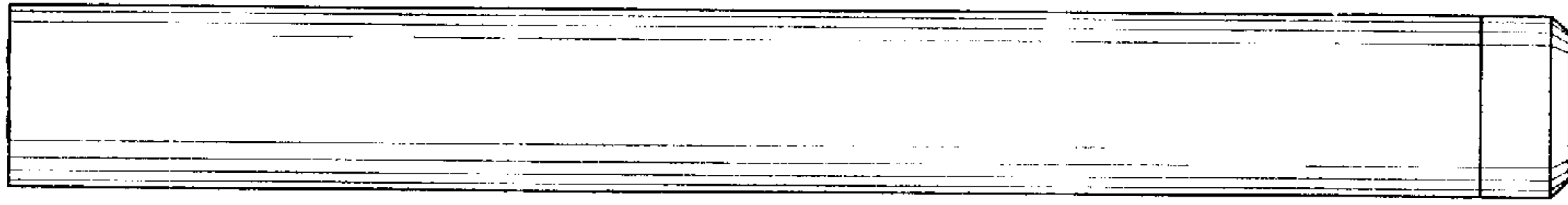
FIG. 6 is an exploded perspective view showing the knife that would be inserted in the cylinder of the stabilizer thereof.

The archery bow shown in phantom lines is for illustrative purposes only and is not part of the claimed design.

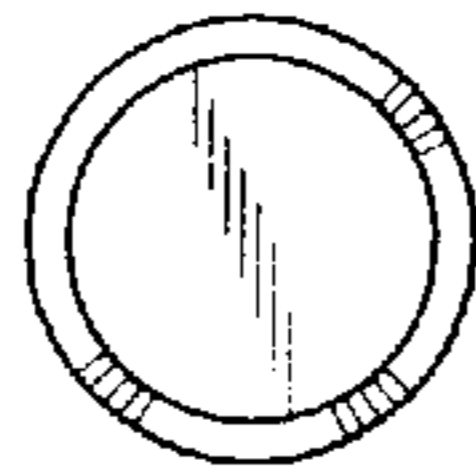
**1 Claim, 3 Drawing Sheets**



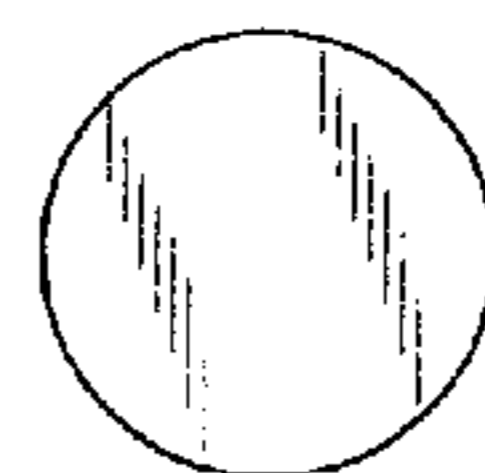
*FIG. 1*



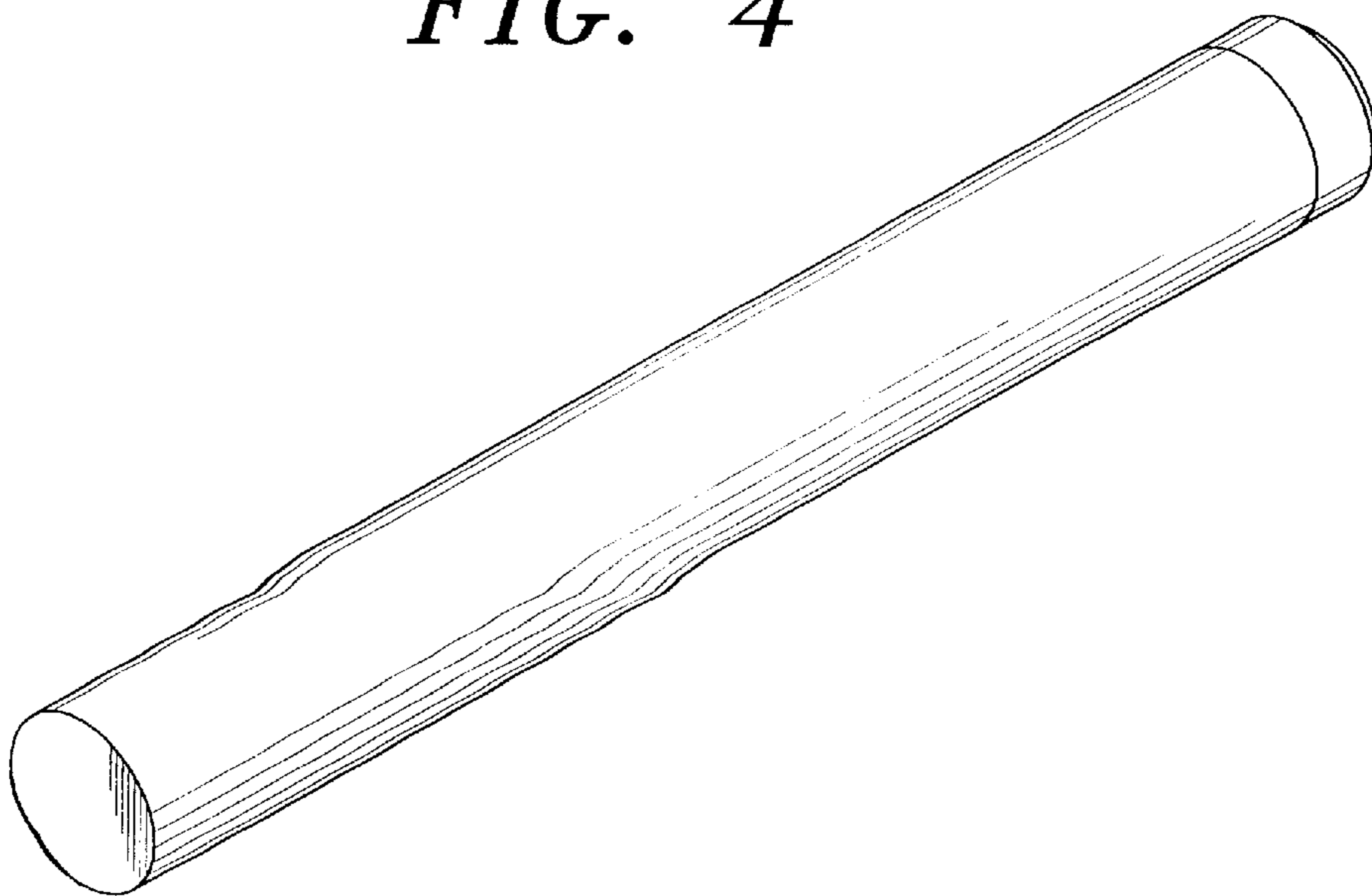
*FIG. 2*



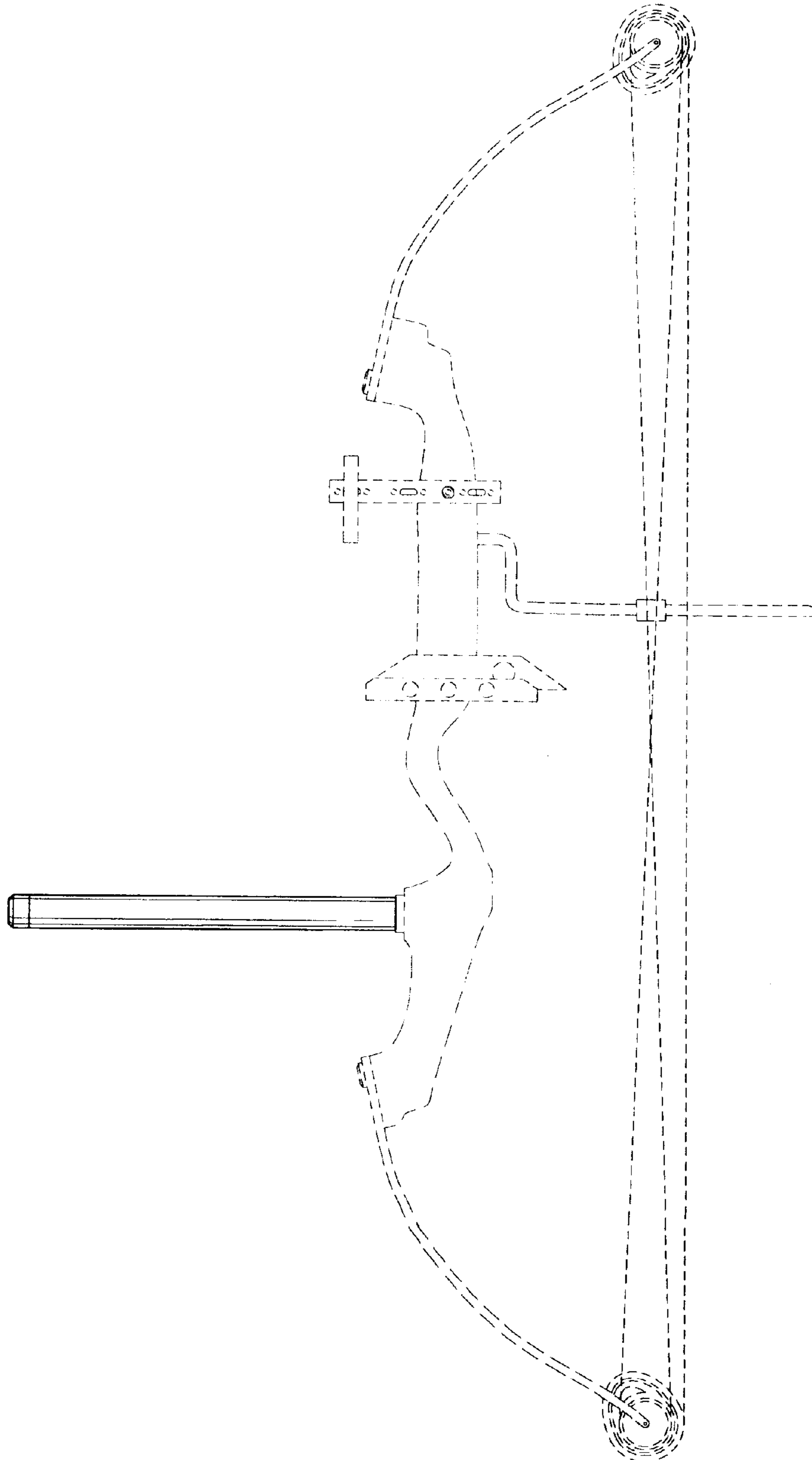
*FIG. 3*

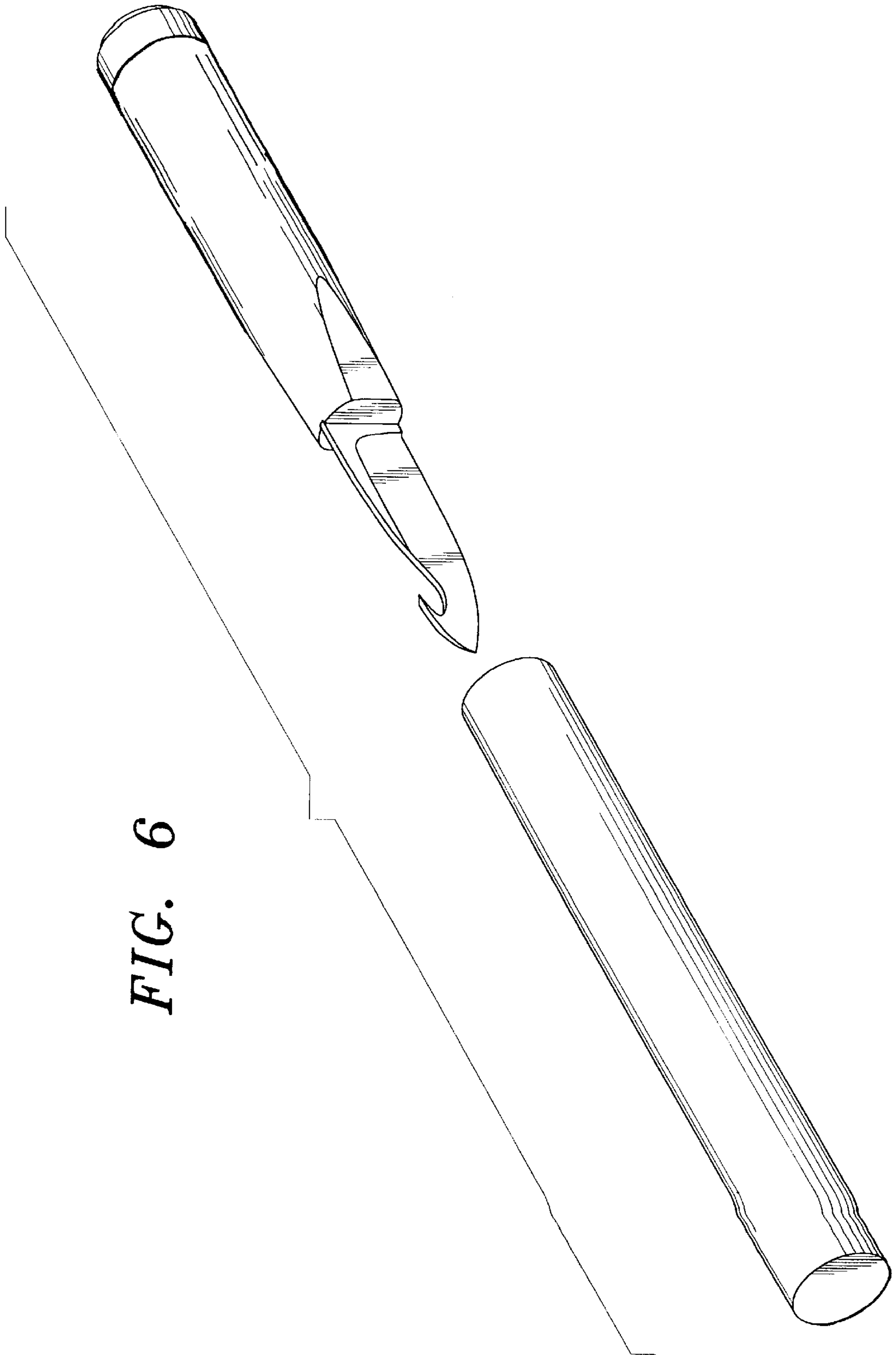


*FIG. 4*



*FIG. 5*





*FIG. 6*