



US00D442664S

(12) **United States Design Patent**
Crosbie et al.

(10) **Patent No.:** **US D442,664 S**

(45) **Date of Patent:** **** May 22, 2001**

(54) **CANDY-HOLDING AND LIQUID-
DISPENSING APPARATUS**

(75) Inventors: **Scott Crosbie**, St. Louis Park, MN
(US); **Marc Zak**, Chagrin Falls, OH
(US)

(73) Assignee: **Oddzon, Inc.**, Pawtucket, RI (US)

(**) Term: **14 Years**

(21) Appl. No.: **29/109,784**

(22) Filed: **Aug. 20, 1999**

(51) **LOC (7) Cl.** **21-03**

(52) **U.S. Cl.** **D21/812**

(58) **Field of Search** D21/812; D29/125,
D29/126; D6/512; 446/236; 362/109, 208,
253

(56) **References Cited**

U.S. PATENT DOCUMENTS

Re. 35,577	8/1997	Coleman	426/134
3,821,425	6/1974	Russell	426/110
5,071,387	12/1991	Pottick	446/475
5,209,692	5/1993	Coleman et al.	446/71
5,324,527	6/1994	Coleman	426/134
5,370,884	12/1994	Coleman	426/112
5,391,107	2/1995	Coleman	446/484
5,471,373 *	11/1995	Coleman et al.	362/109
5,515,998	5/1996	Wang	220/710
5,536,054	7/1996	Liaw	294/1.1
5,681,200	10/1997	Shecter	446/76

5,690,535	11/1997	Coleman et al.	446/236
5,733,033 *	3/1998	Coleman et al.	362/109
5,820,437	10/1998	Coleman et al.	446/196
6,077,144 *	6/2000	Fishman	446/236

OTHER PUBLICATIONS

Exhibit A, one drawing sheet, Date unknown.

* cited by examiner

Primary Examiner—Mitchell Siegel

(74) *Attorney, Agent, or Firm*—Marshall, O'Toole,
Gerstein, Murray & Borun

(57) **CLAIM**

The ornamental design for a candy-holding and liquid-
dispensing apparatus, as shown and described.

DESCRIPTION

FIG. 1 is a perspective view of the apparatus;
FIG. 2 is a front view of the apparatus;
FIG. 3 is a left side view of the apparatus;
FIG. 4 is a right side view of the apparatus with the
apparatus in a first configuration;
FIG. 5 is a rear view of the apparatus;
FIG. 6 is a top view of the apparatus;
FIG. 7 is a bottom view of the apparatus; and,
FIG. 8 is a right side view of the apparatus with the
apparatus in a second configuration.
The broken line showing of the lollipop is for illustrative
purposes only and forms no part of the claimed design.

1 Claim, 2 Drawing Sheets

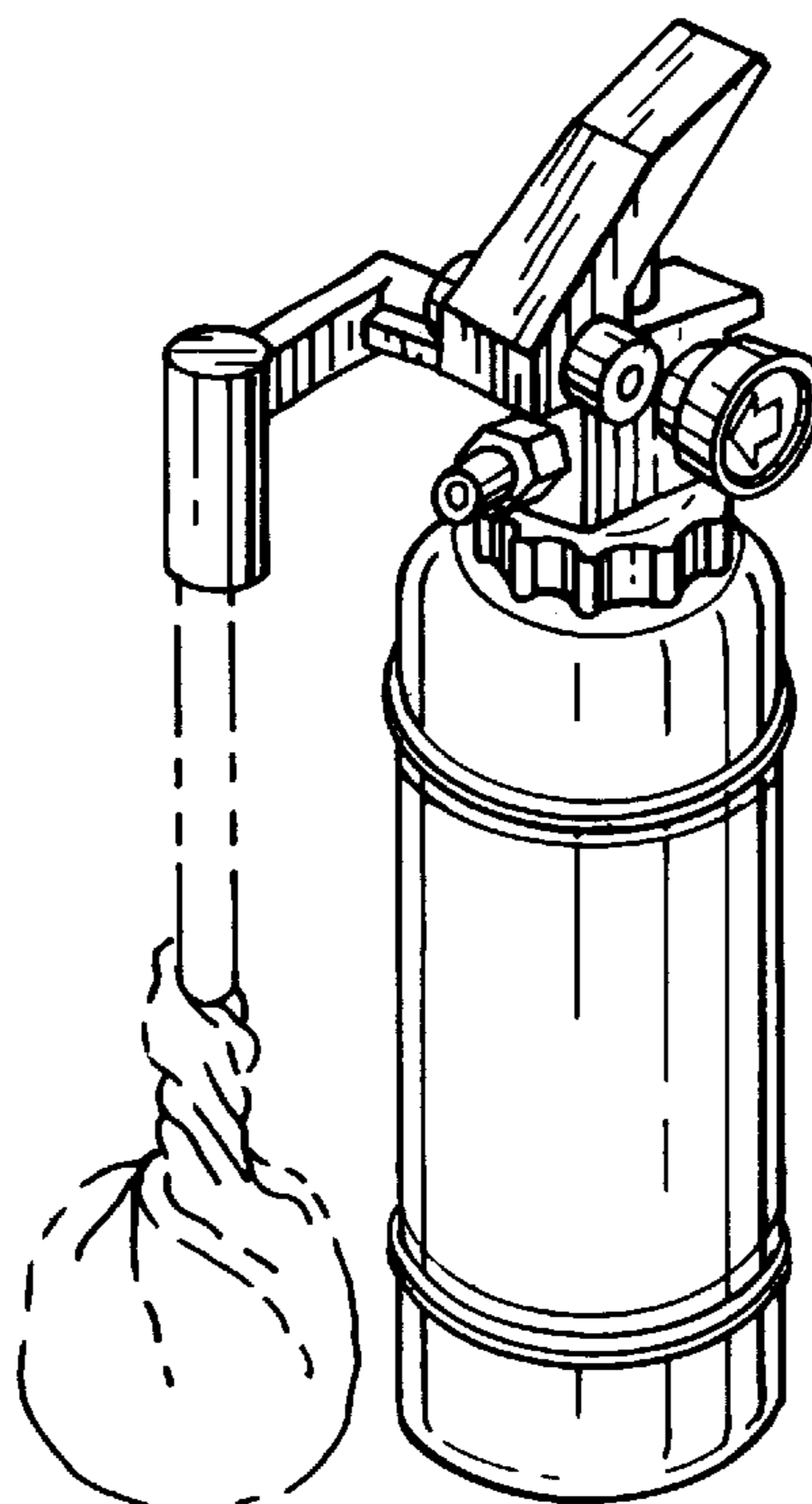


FIG. 1

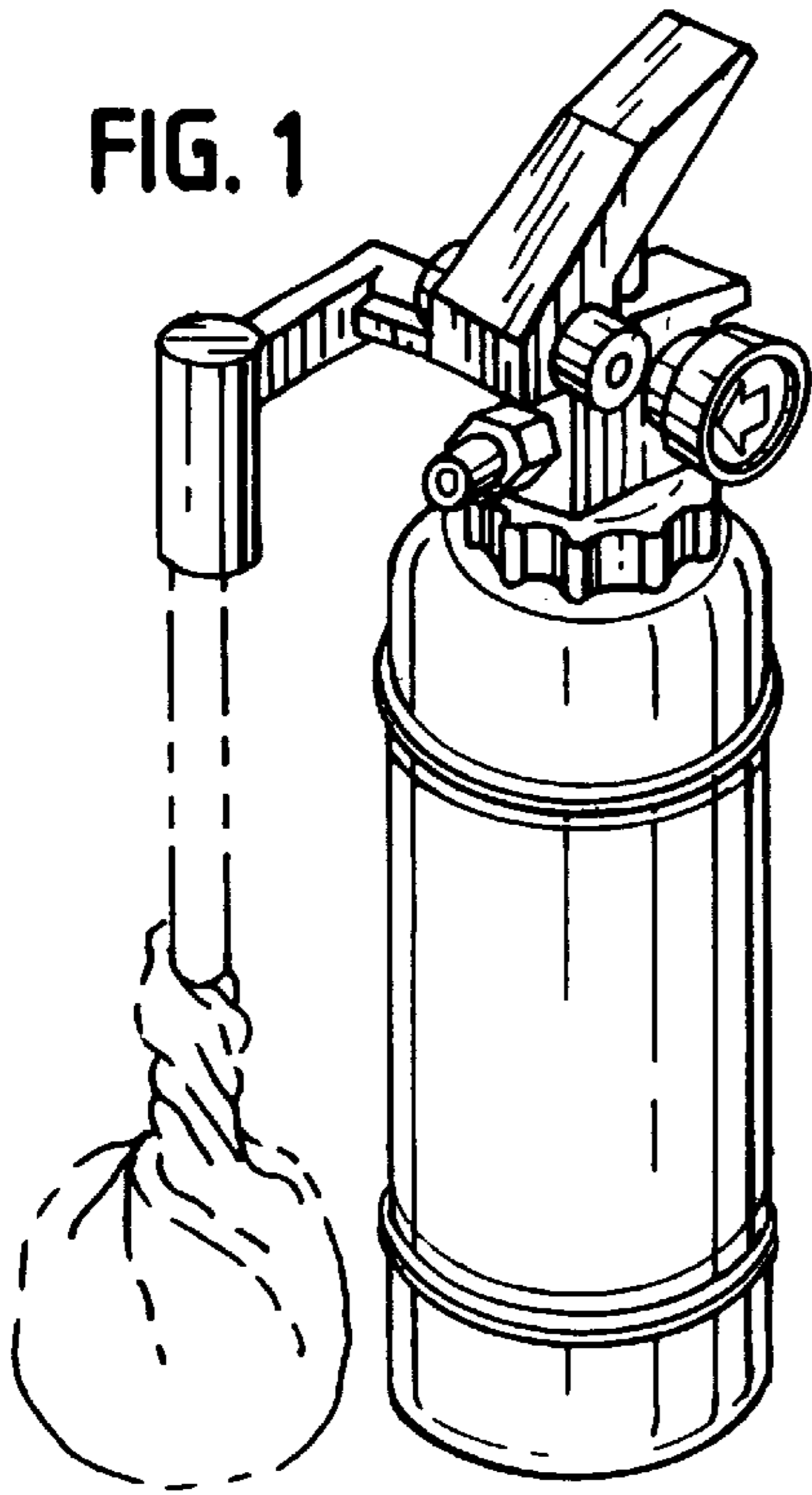


FIG. 2

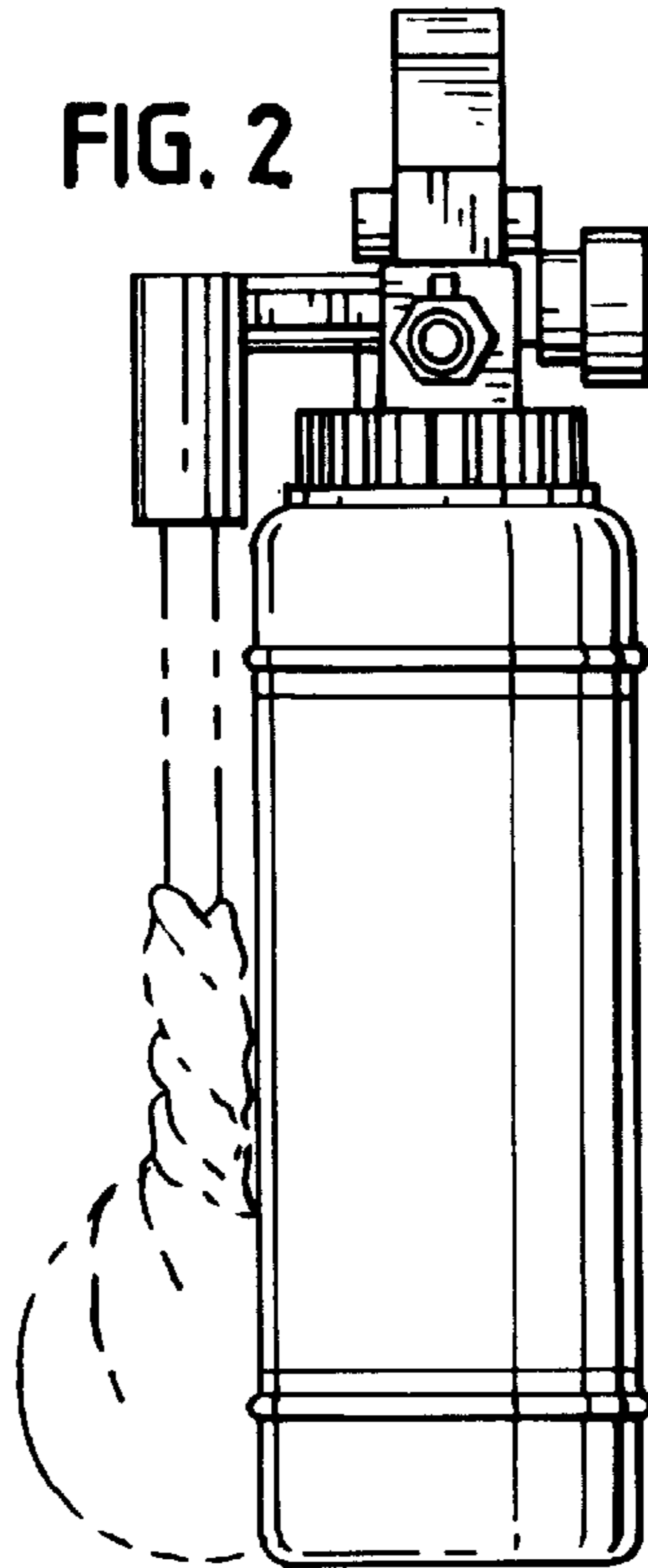


FIG. 3

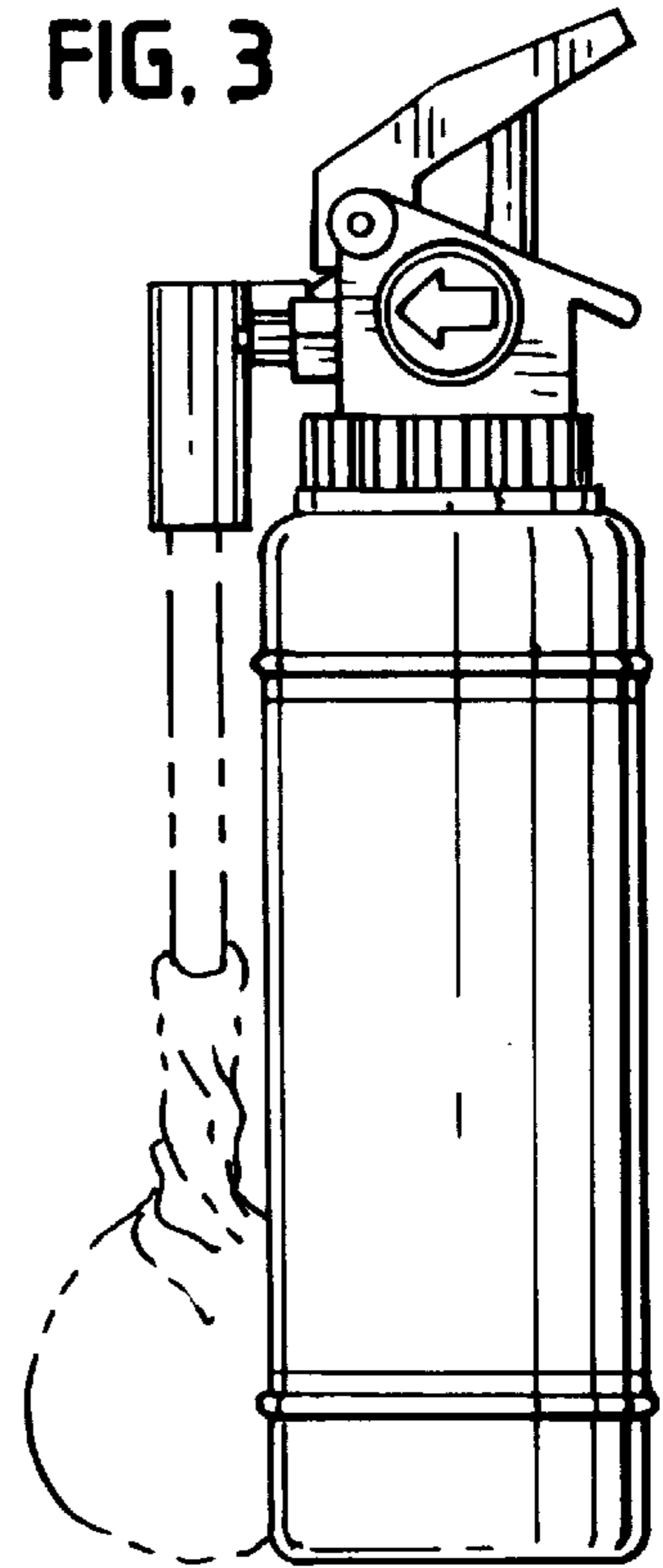


FIG. 4

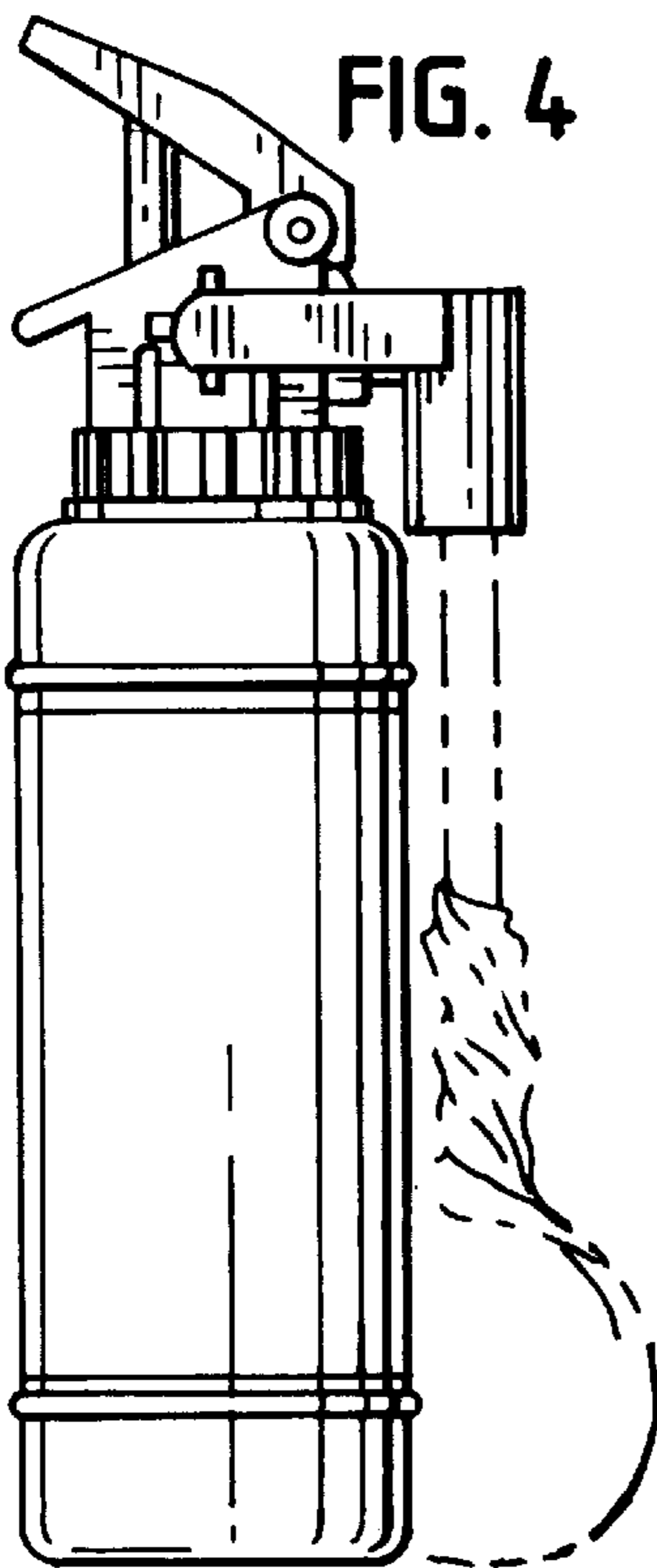


FIG. 5

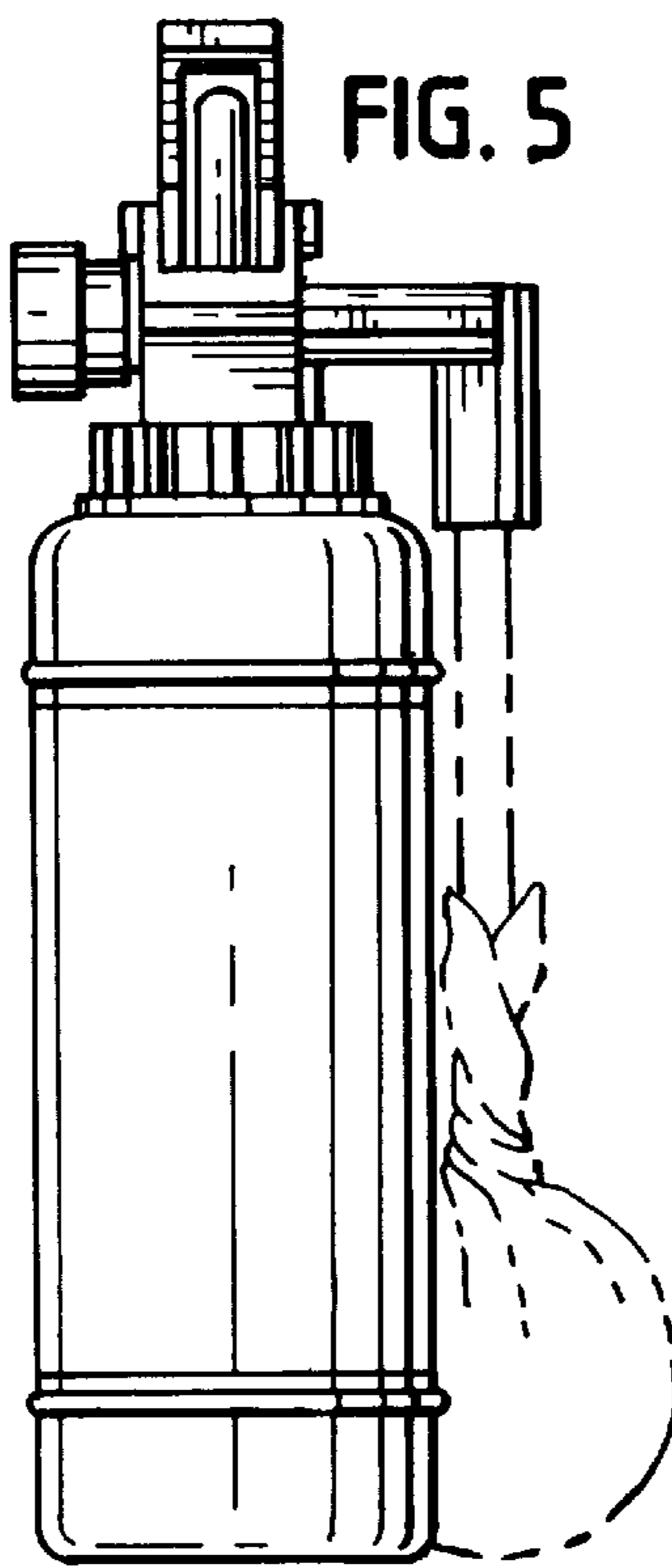


FIG. 6

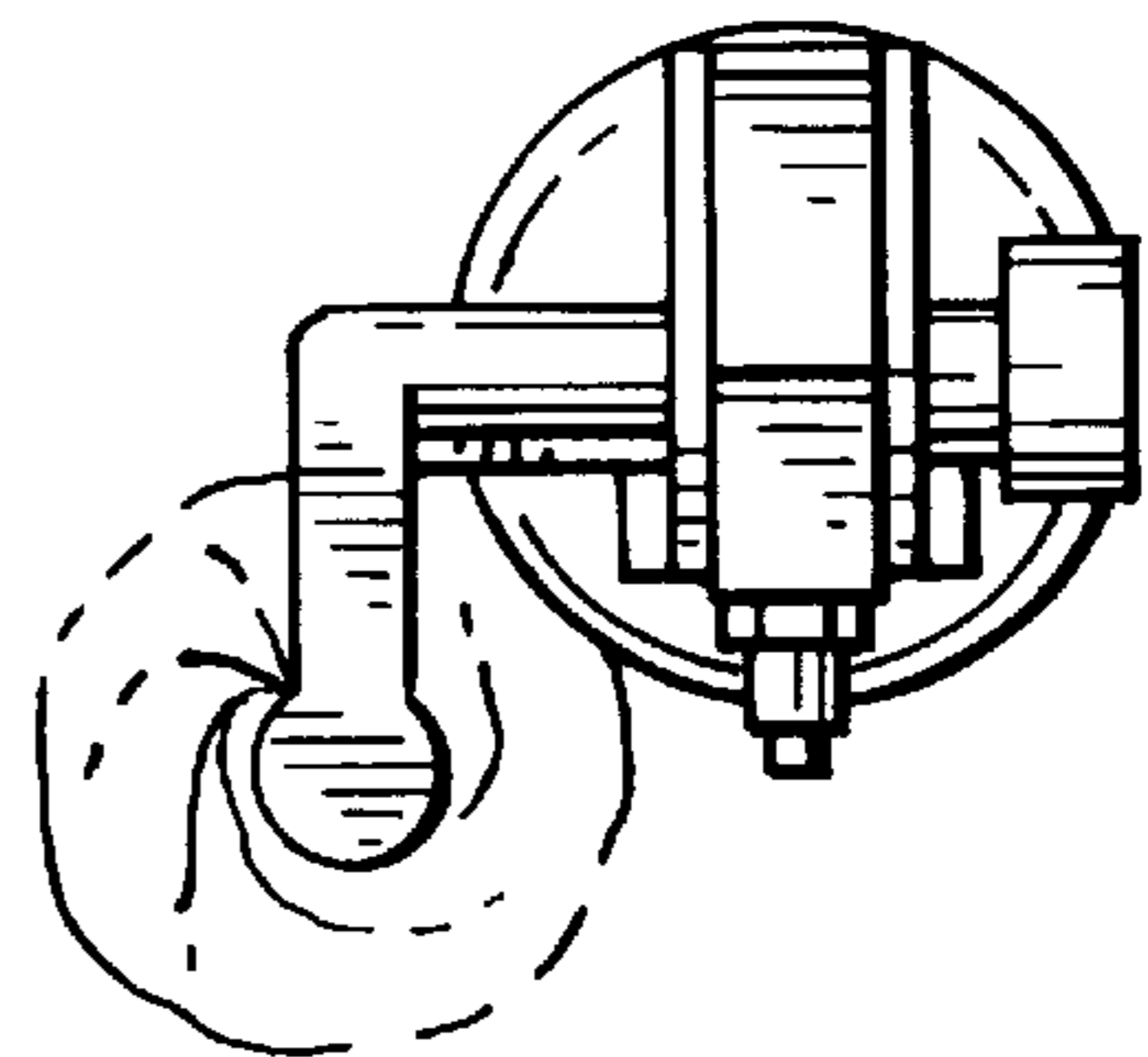


FIG. 7

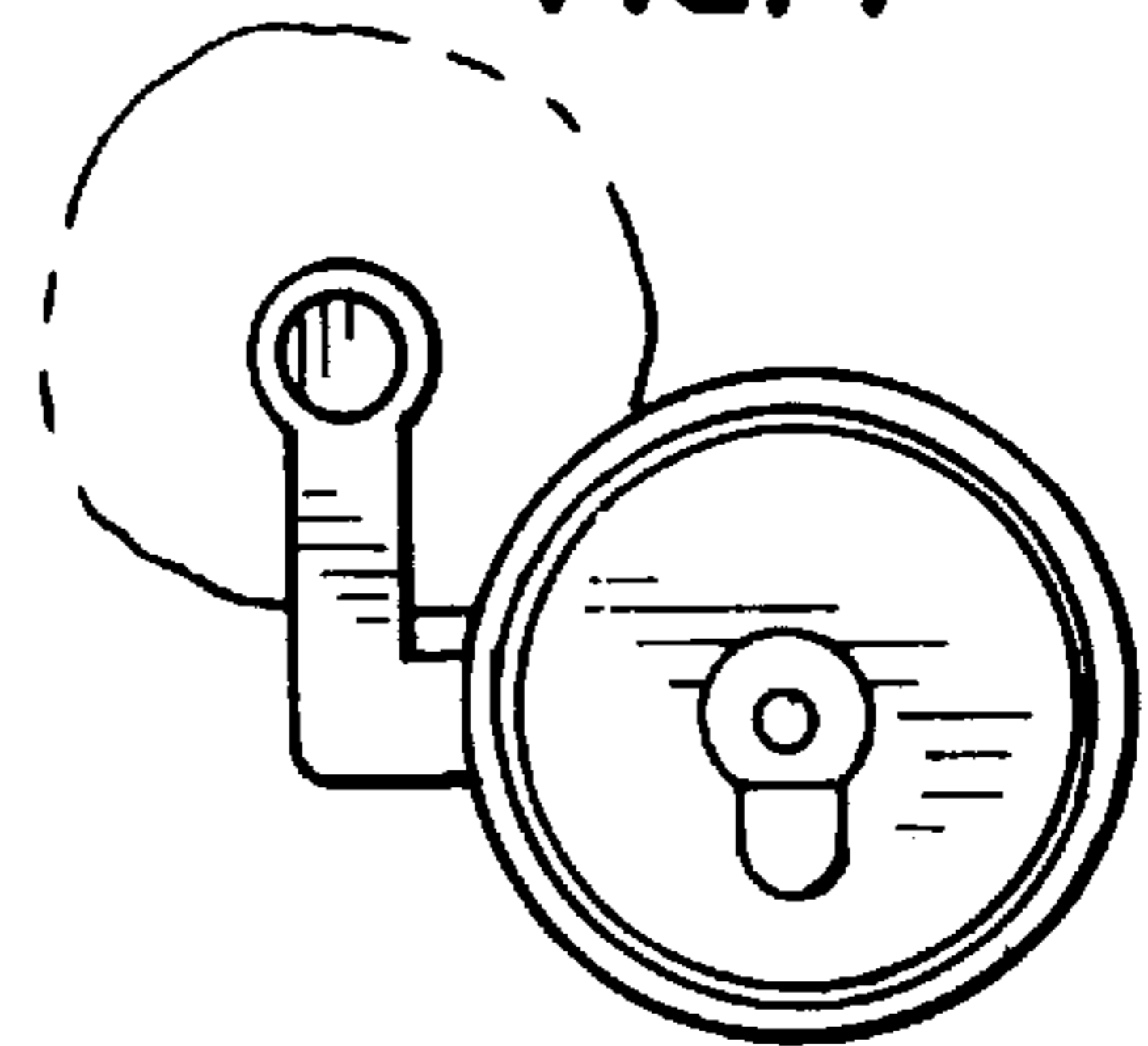


FIG. 8

