



US00D442662S

(12) **United States Design Patent**
Konkle

(10) **Patent No.:** **US D442,662 S**

(45) **Date of Patent:** **** May 22, 2001**

(54) **GOLF CLUB PUTTING STAND**

(75) Inventor: **Stephen A. Konkle**, Kirkland, WA (US)

(73) Assignee: **Catalyst Concepts, Inc.**, Issaquah, WA (US)

(**) Term: **14 Years**

(21) Appl. No.: **29/127,328**

(22) Filed: **Aug. 3, 2000**

(51) **LOC (7) Cl.** **21-02**

(52) **U.S. Cl.** **D21/796**

(58) **Field of Search** D21/789, 791,
D21/790, 796; D6/552; 473/282, 179, 195,
293

(56) **References Cited**

U.S. PATENT DOCUMENTS

D. 141,390	*	5/1945	Welsh	D21/790
D. 394,691	*	5/1998	DiCesari	D21/796
D. 425,596	*	5/2000	Valvonis	D21/789

* cited by examiner

Primary Examiner—Mitchell Siegel

(74) *Attorney, Agent, or Firm*—Seed IP Law Group PLLC

(57) **CLAIM**

The ornamental design for a golf club putting stand, as shown and described.

DESCRIPTION

A portion of this disclosure contains material to which a claim for copyright is made. The inventor or his assignee

(copyright owner) have no objection to the facsimile reproduction by anyone of the patent document or the patent disclosure, as it appears in the Patent and Trademark Office files or records, but reserve all other copyright rights whatsoever.

FIG. 1 is a top, right isometric view of a first embodiment of a golf club putting stand.

FIG. 2 is a right side elevational view thereof; the left side elevational view is a mirror image thereof.

FIG. 3 is a front elevational view thereof.

FIG. 4 is a rear elevational view thereof.

FIG. 5 is a top plan view thereof.

FIG. 6 is a bottom plan view thereof.

FIG. 7 is a top, right isometric view of a second embodiment of a golf club putting stand.

FIG. 8 is a right side elevational view thereof; the left side elevational view is a mirror image thereof.

FIG. 9 is a front elevational view thereof.

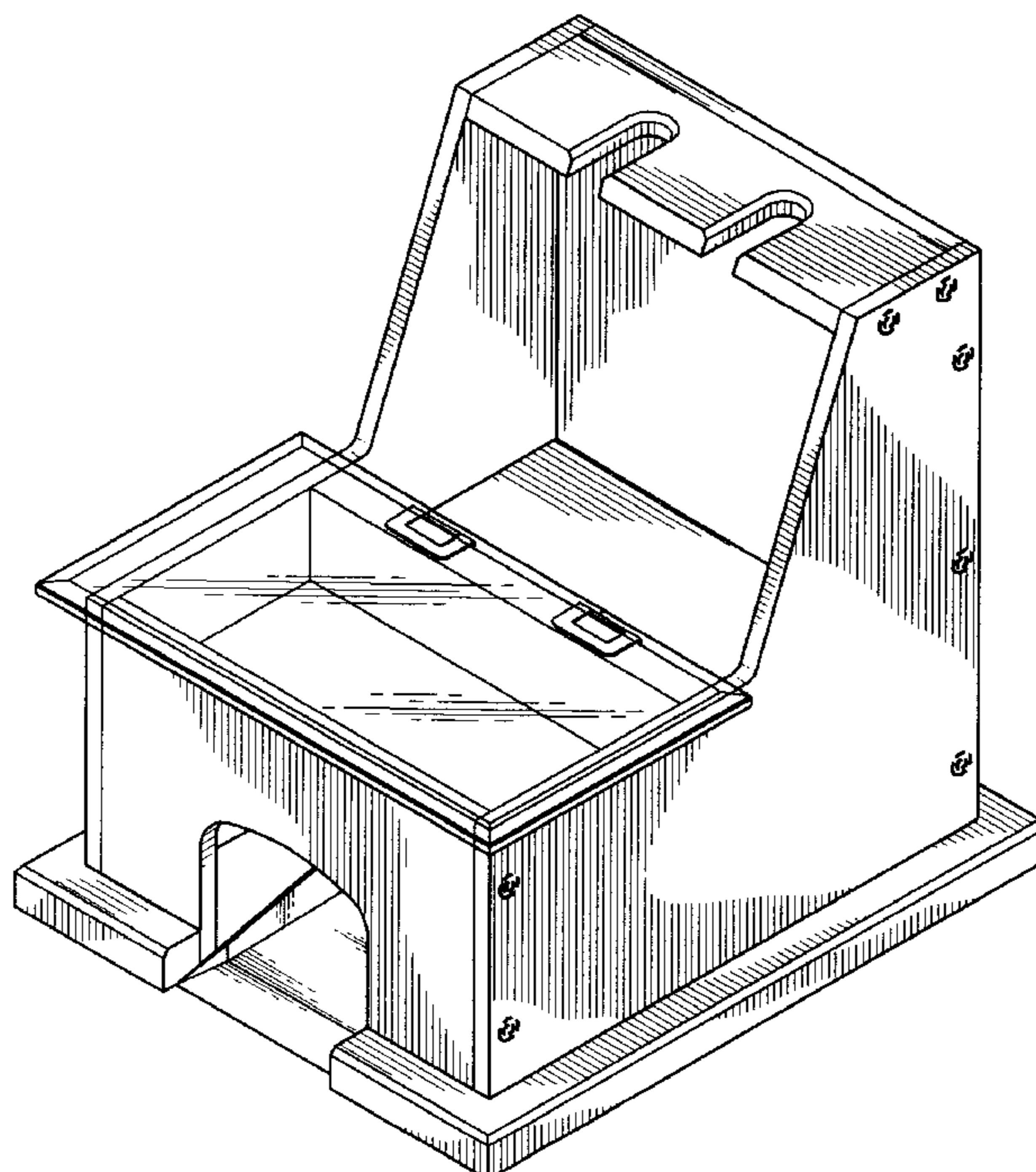
FIG. 10 is a rear elevational view thereof.

FIG. 11 is a top plan view thereof; and,

FIG. 12 is a bottom plan view thereof.

The broken lines in the figures are for illustrative purposes only and form no part of the claimed design.

1 Claim, 6 Drawing Sheets



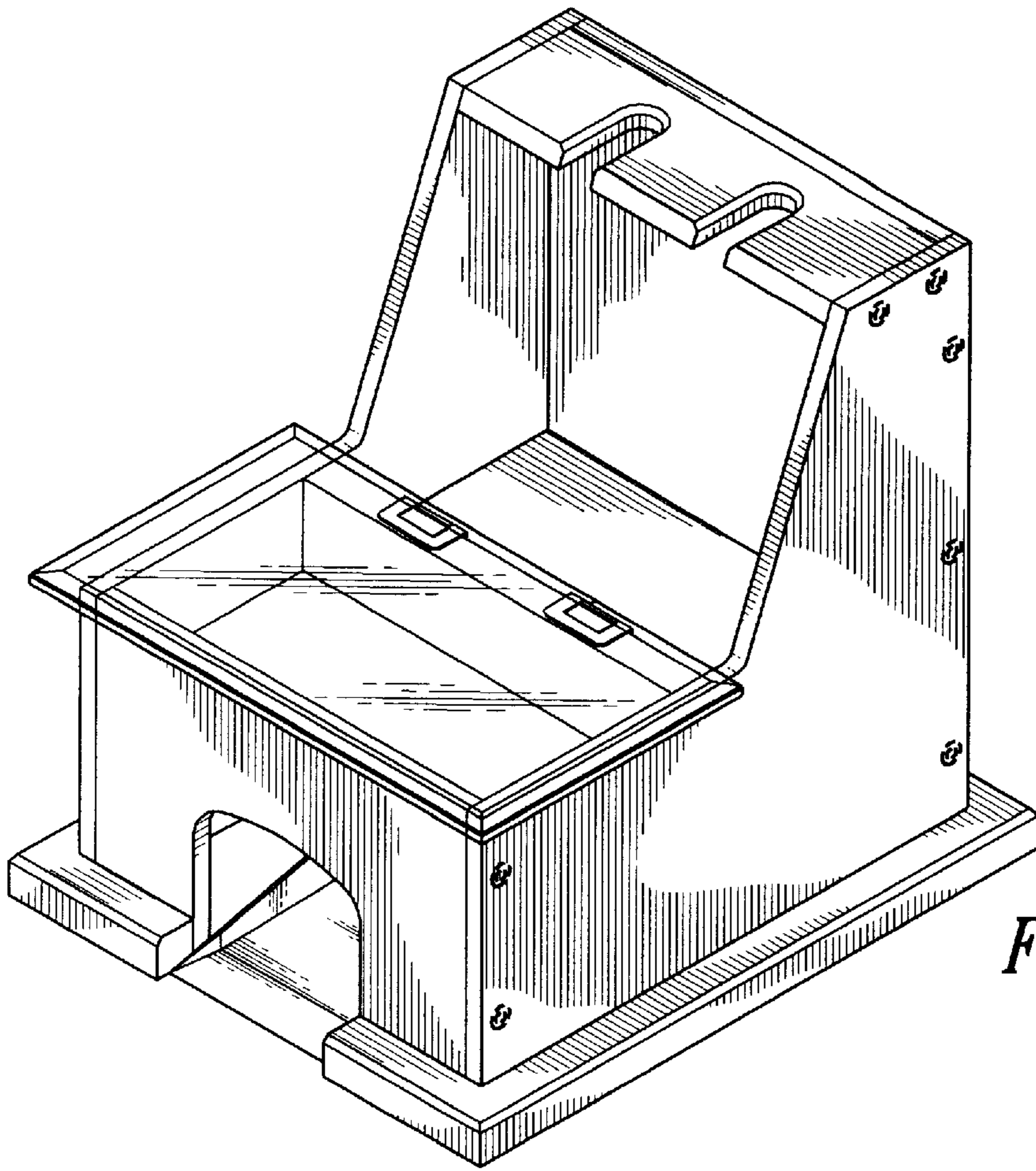


Fig. 1

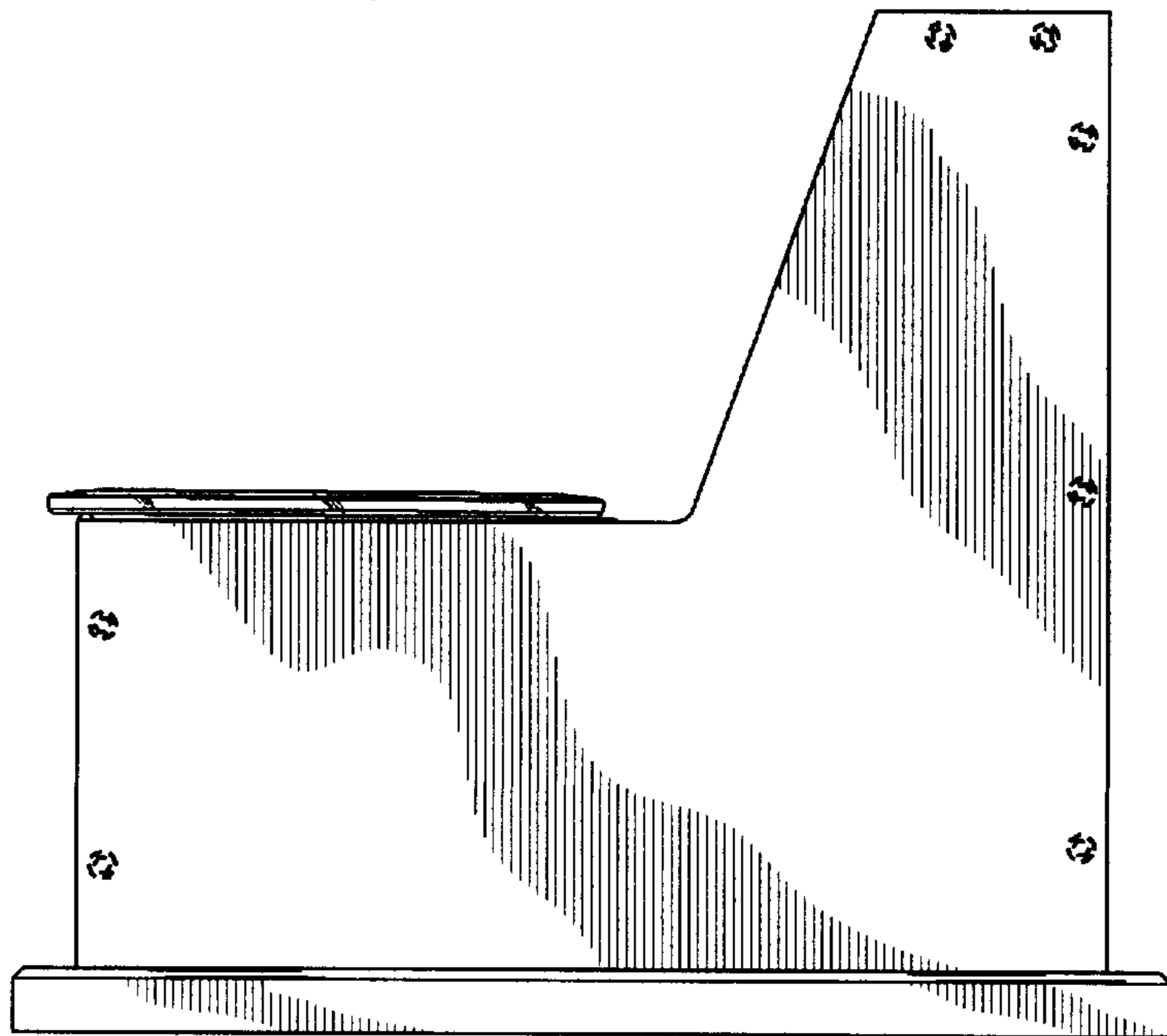


Fig. 2

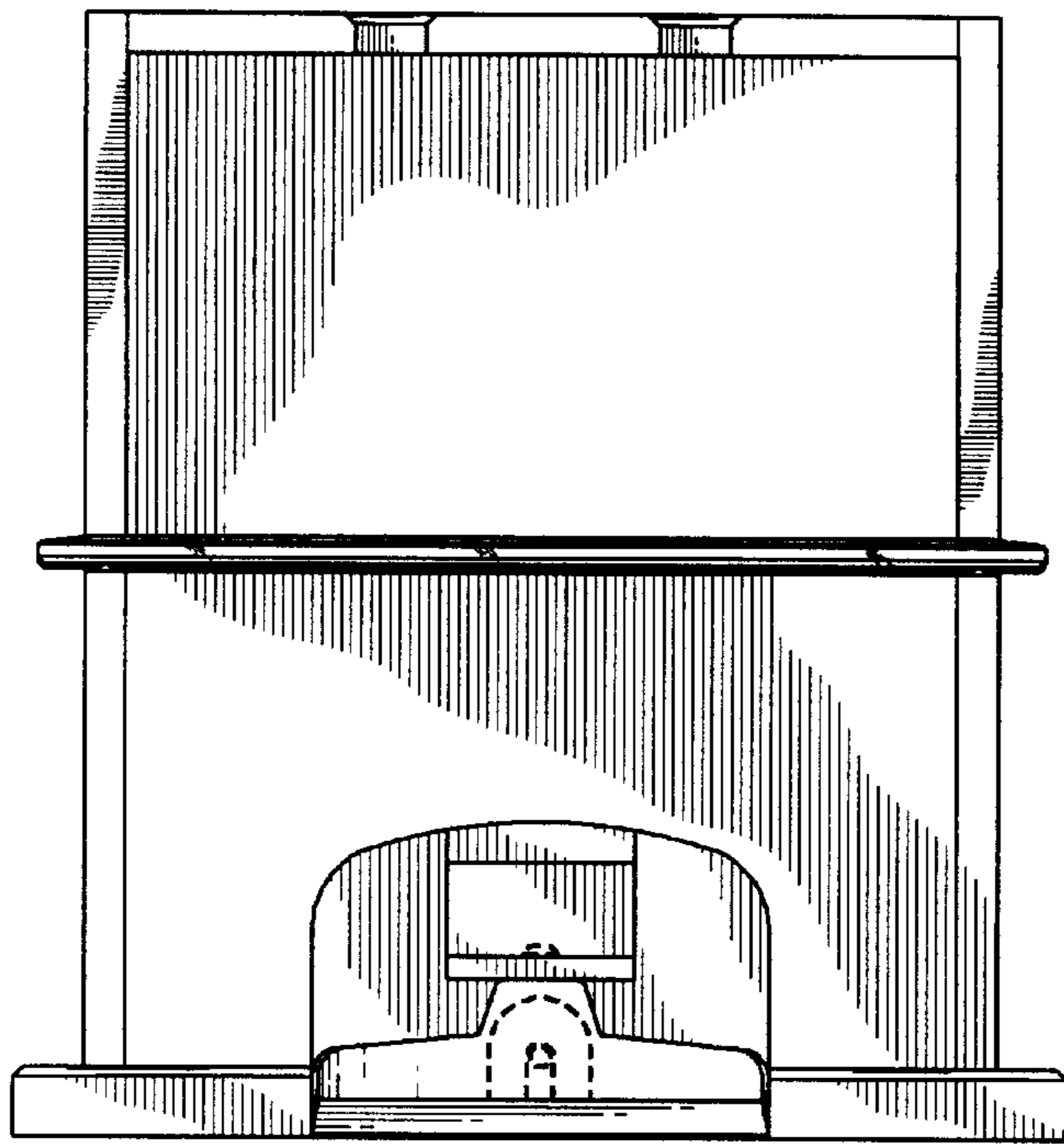


Fig. 3

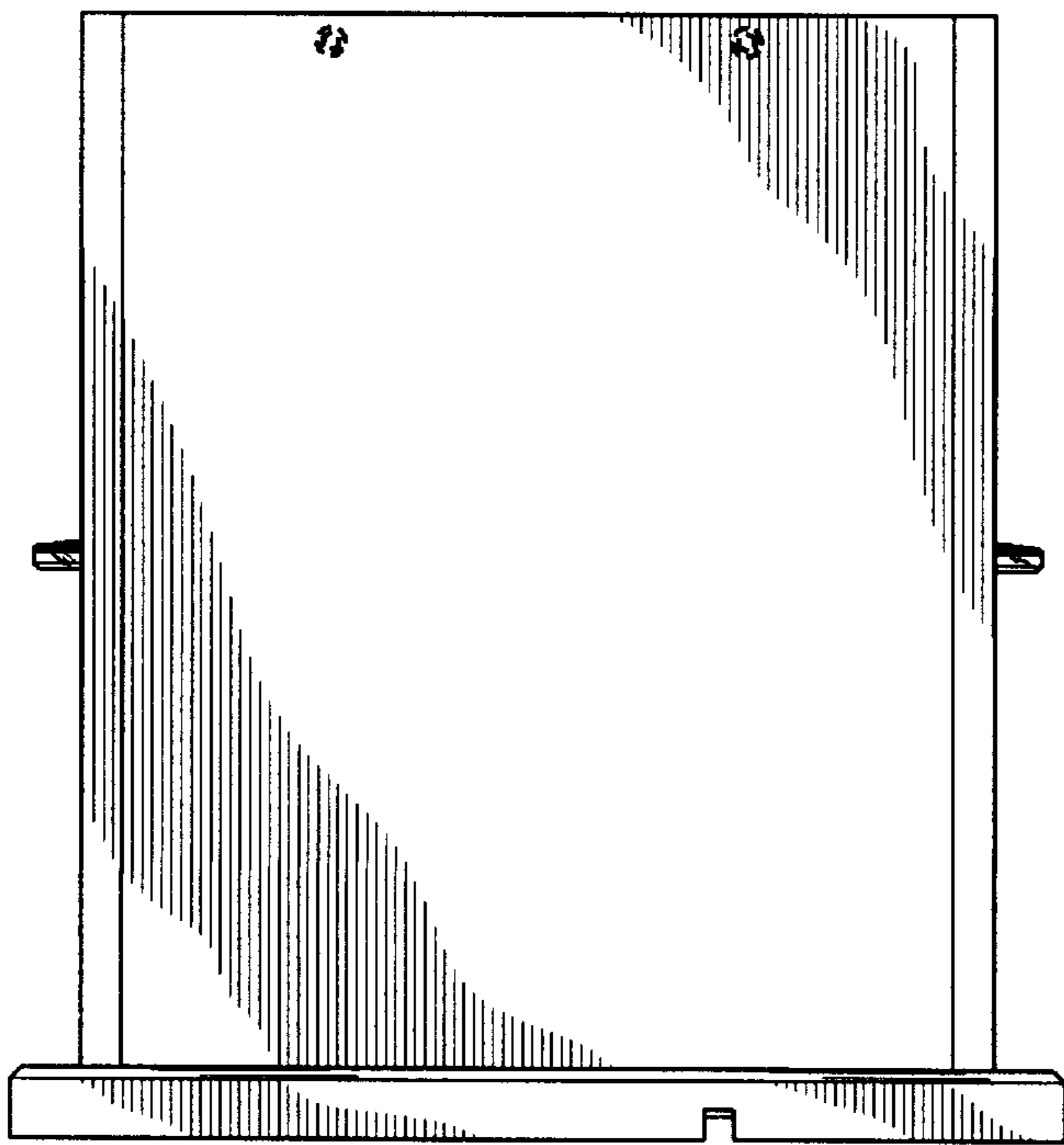


Fig. 4

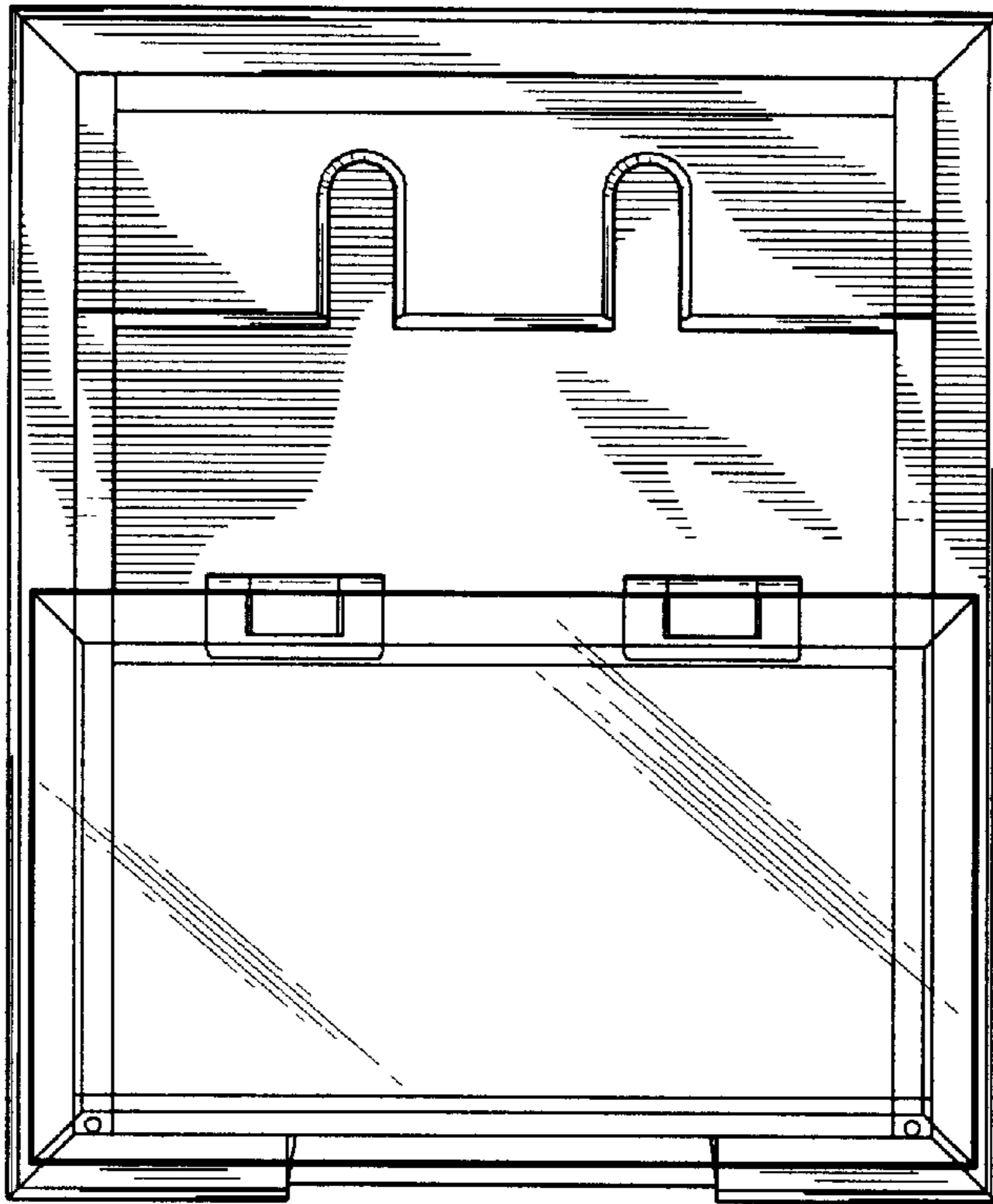


Fig. 5

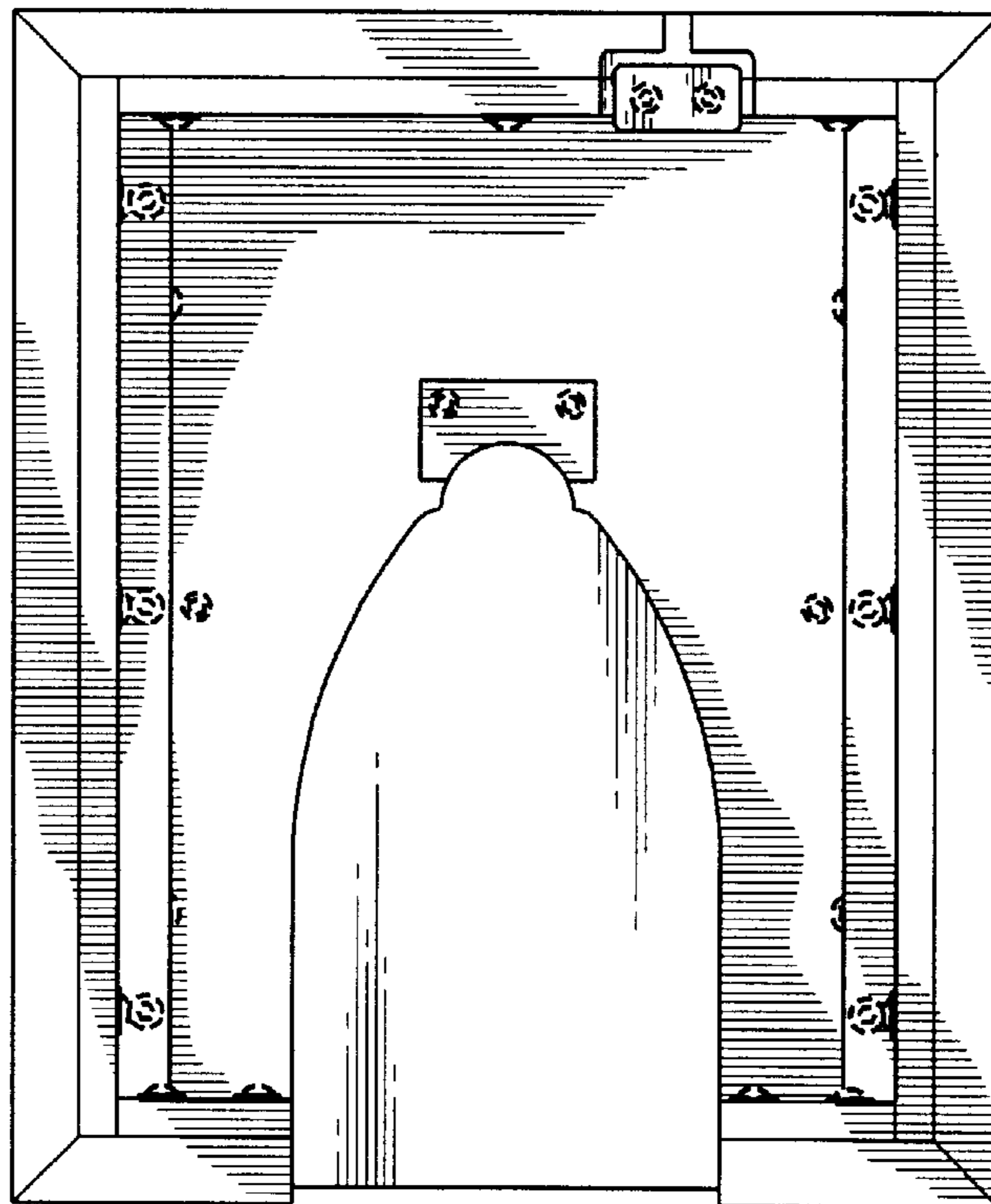


Fig. 6

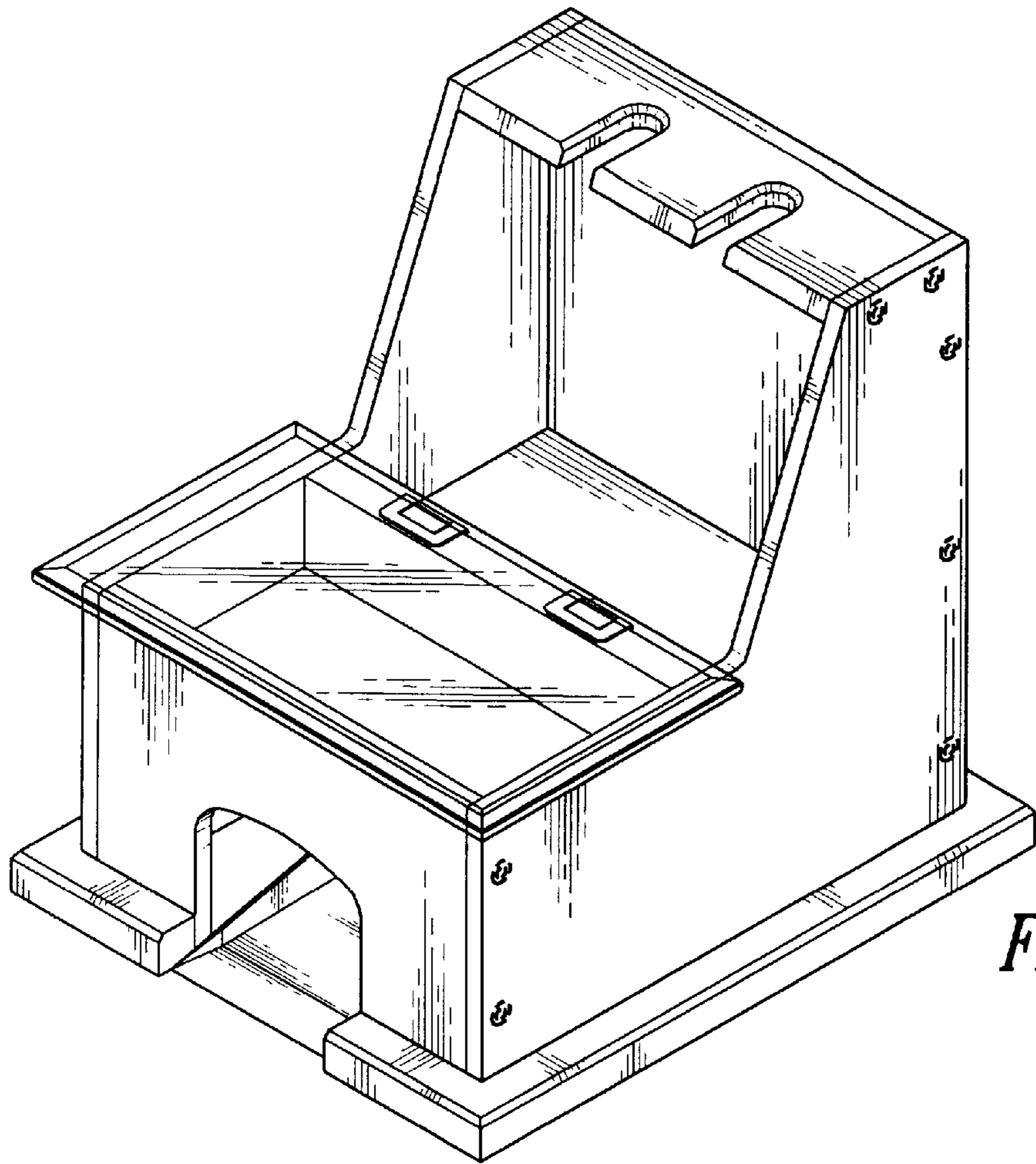


Fig. 7

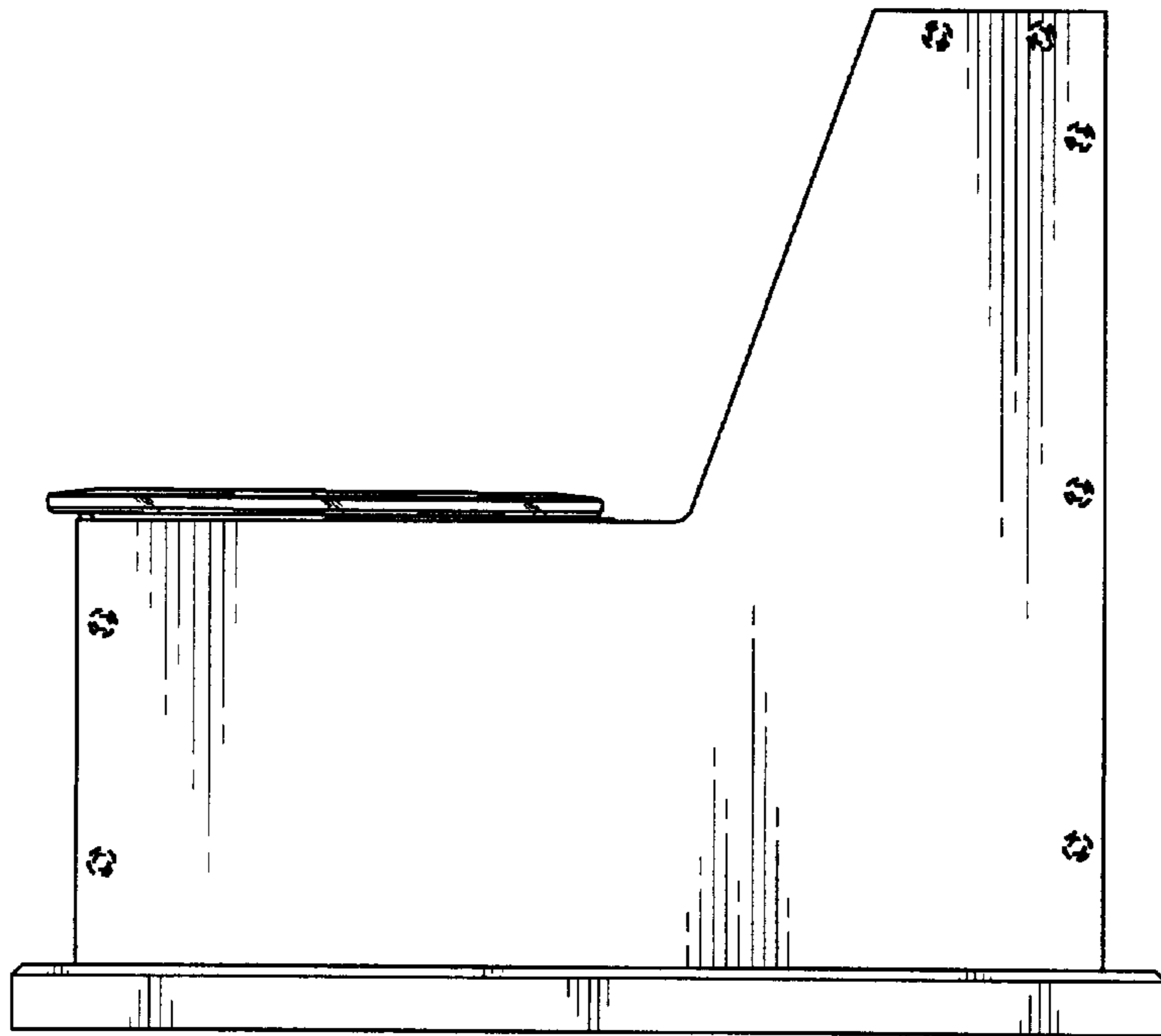


Fig. 8

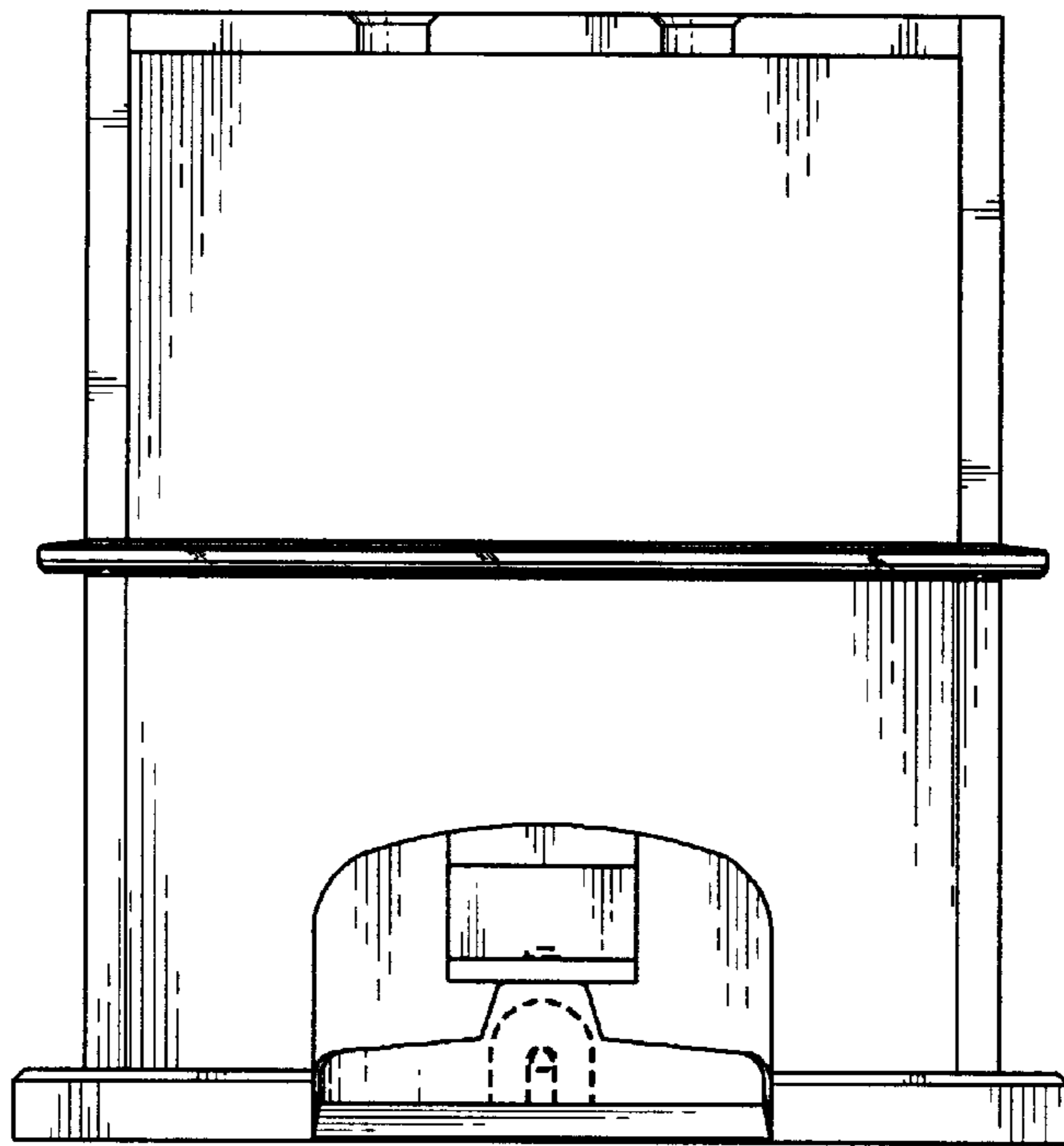


Fig. 9

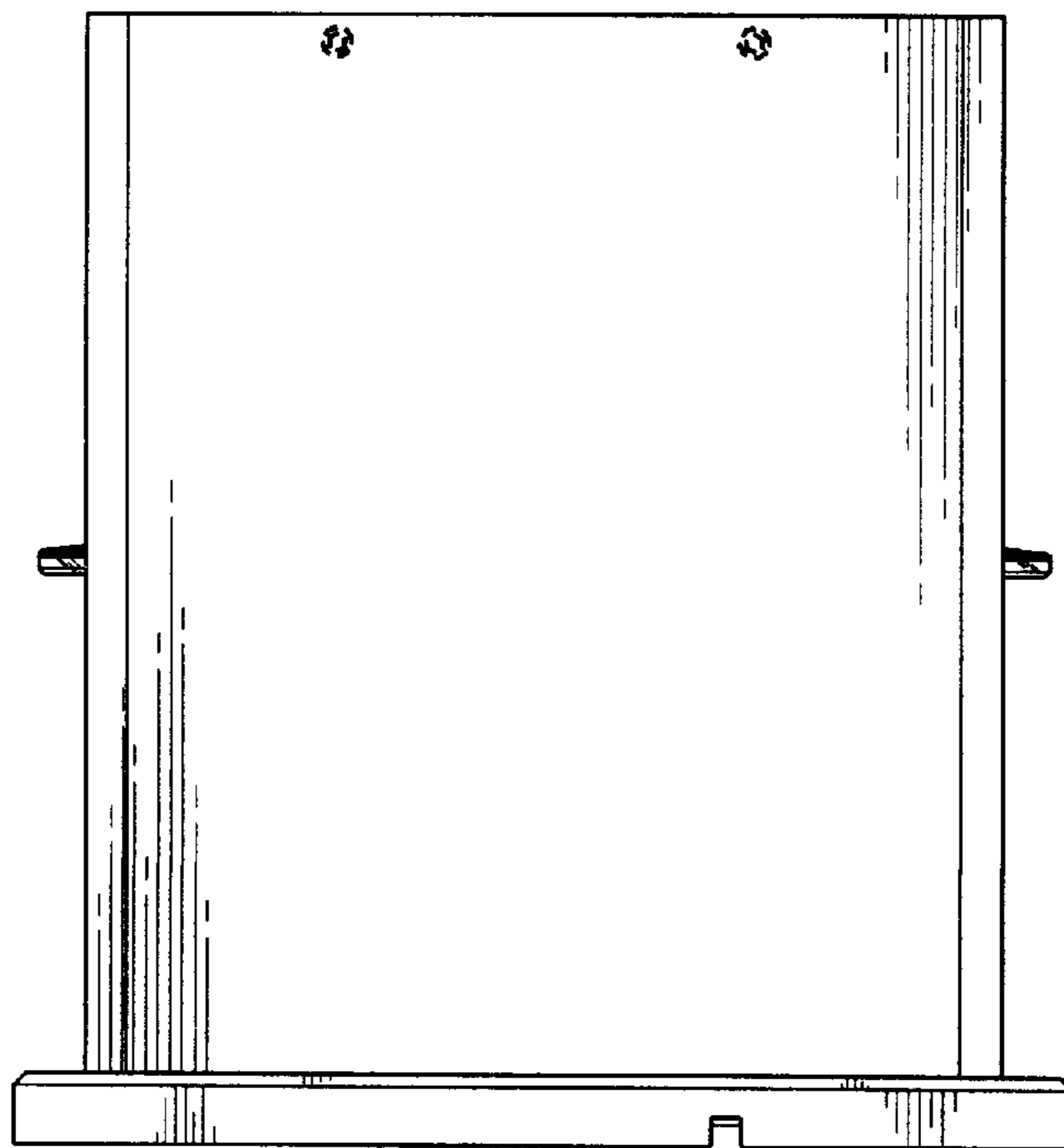


Fig. 10

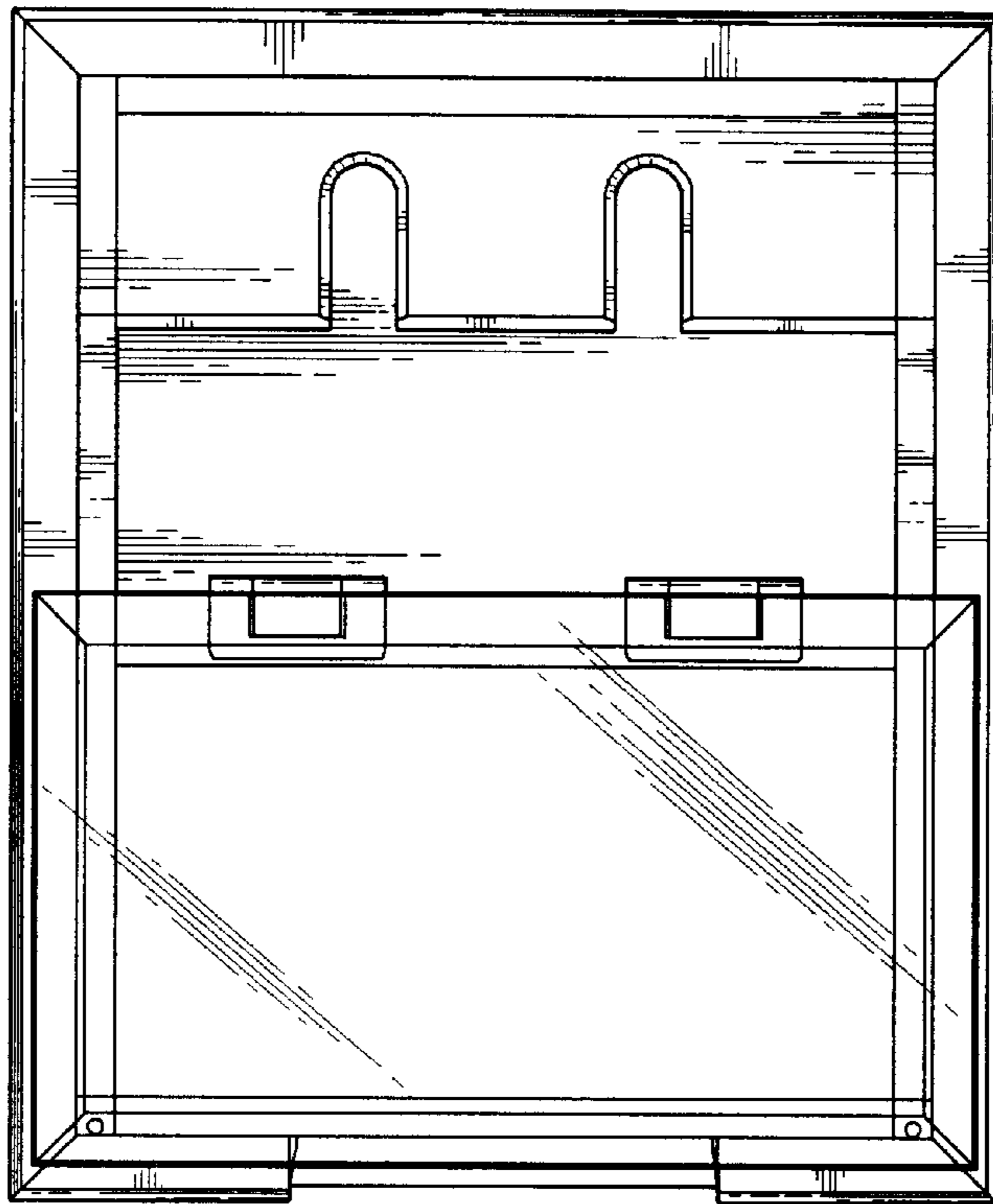


Fig. 11

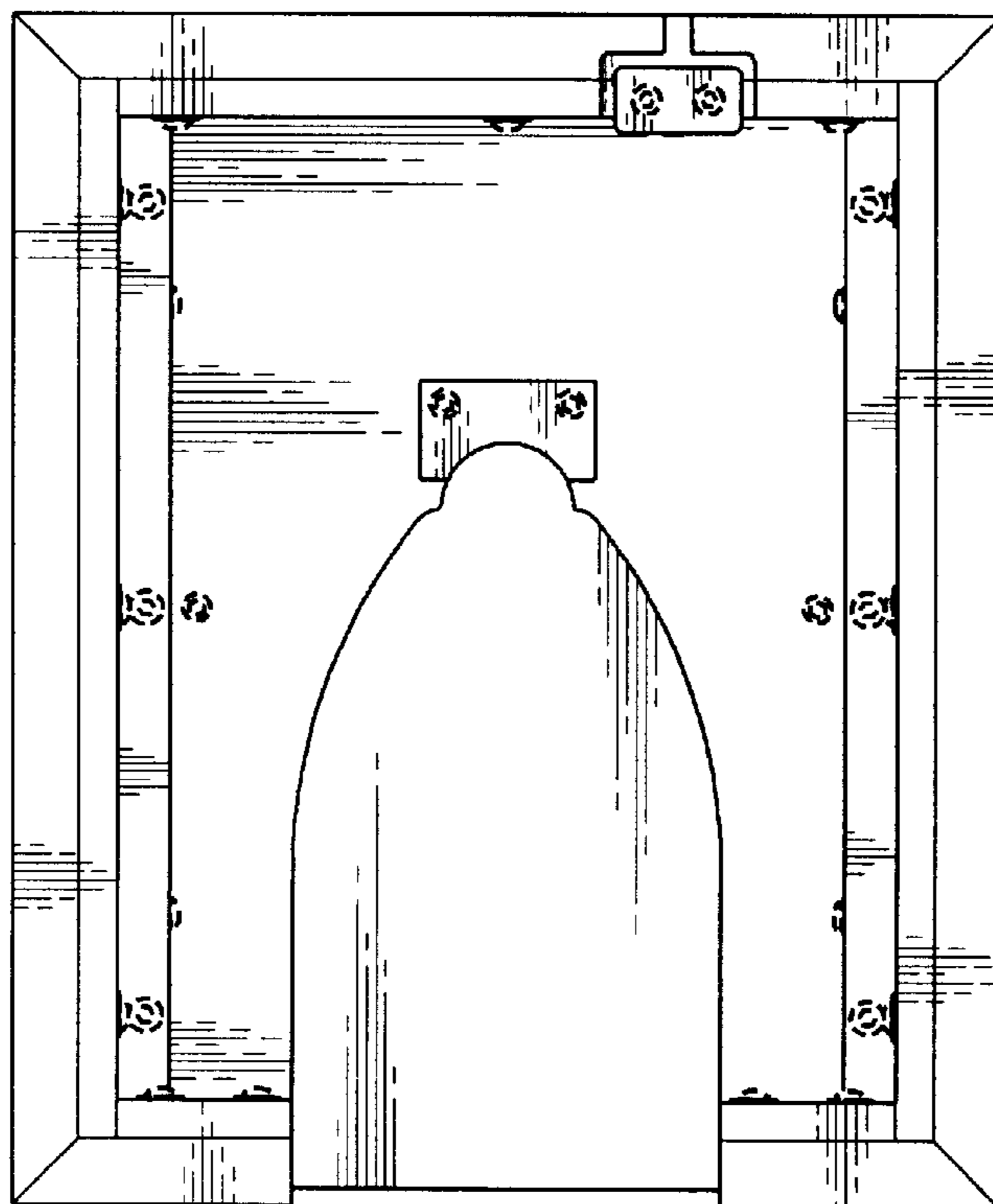


Fig. 12