



US00D442661S

(12) **United States Design Patent**
Young

(10) **Patent No.:** **US D442,661 S**

(45) **Date of Patent:** **** May 22, 2001**

(54) **GOLF PUTTING PRACTICE HOLE SIMULATOR**

4,896,886 * 1/1990 Colley 473/188 X

* cited by examiner

(76) Inventor: **Roger G. Young**, 9460 Upper Valley Rd., Auburn, CA (US) 95602

Primary Examiner—Dominic Simone

(74) *Attorney, Agent, or Firm*—Heisler & Associates

(**) Term: **14 Years**

(57) **CLAIM**

(21) Appl. No.: **29/109,790**

I claim the ornamental design for a golf putting practice hole simulator, as shown and described.

(22) Filed: **Aug. 23, 1999**

DESCRIPTION

(51) **LOC (7) Cl.** **21-02**

(52) **U.S. Cl.** **D21/790**

(58) **Field of Search** D21/790, 791; 473/188, 173, 180, 157; 273/127 R

FIG. 1 is a perspective view of the invention with a flag pole portion cut out to illustrate that it is longer than as shown. Omitted portions of the pole are configured the same as portions shown.

(56) **References Cited**

FIG. 2 is a right side view of the invention, the left side view, front view and rear view being a mirror image thereof.

U.S. PATENT DOCUMENTS

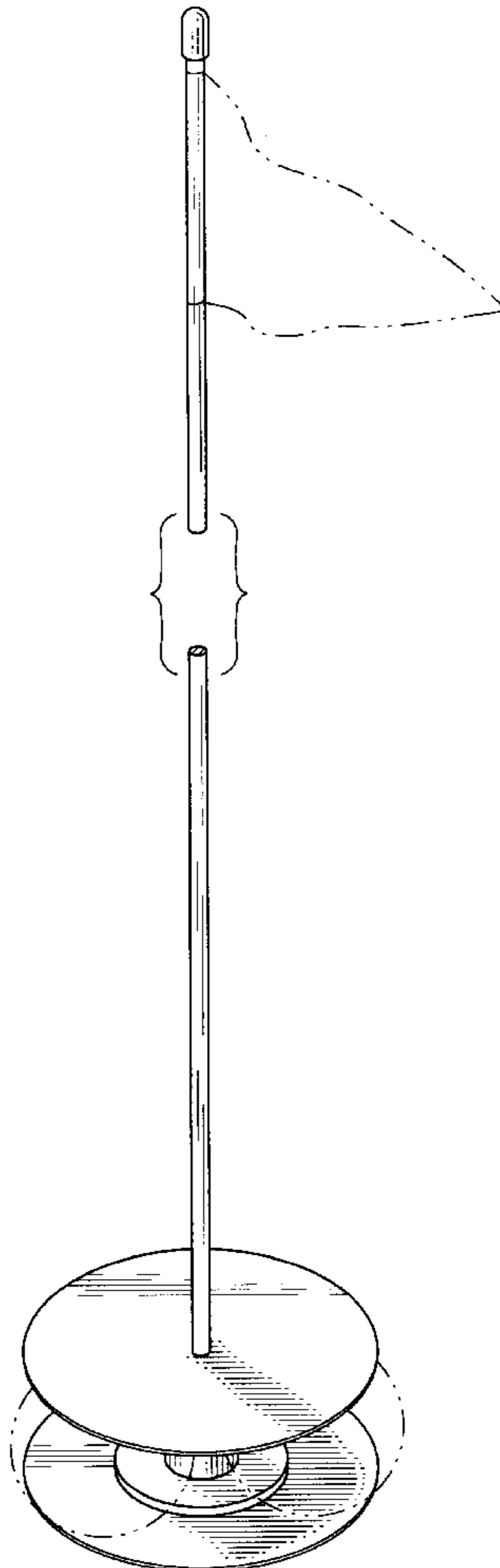
FIG. 3 is a top plan view of the invention; and,

- D. 174,253 * 3/1955 Evans D21/790
- D. 196,846 * 11/1963 Niamtu, Jr. D21/790
- D. 411,601 * 6/1999 Fong D21/791
- 954,299 * 4/1910 Johnson 473/188
- 1,297,055 * 3/1919 Austin 473/188
- 3,458,202 * 7/1969 McNamara 473/188
- 4,691,922 * 9/1987 Peel et al. 473/188

FIG. 4 is a bottom plan view of the invention.

The broken lines in FIG. 1 showing one possible flag configuration and showing the outline of two golf balls trapped by the simulator are for purposes of illustration only and form no part of the claimed design.

1 Claim, 1 Drawing Sheet



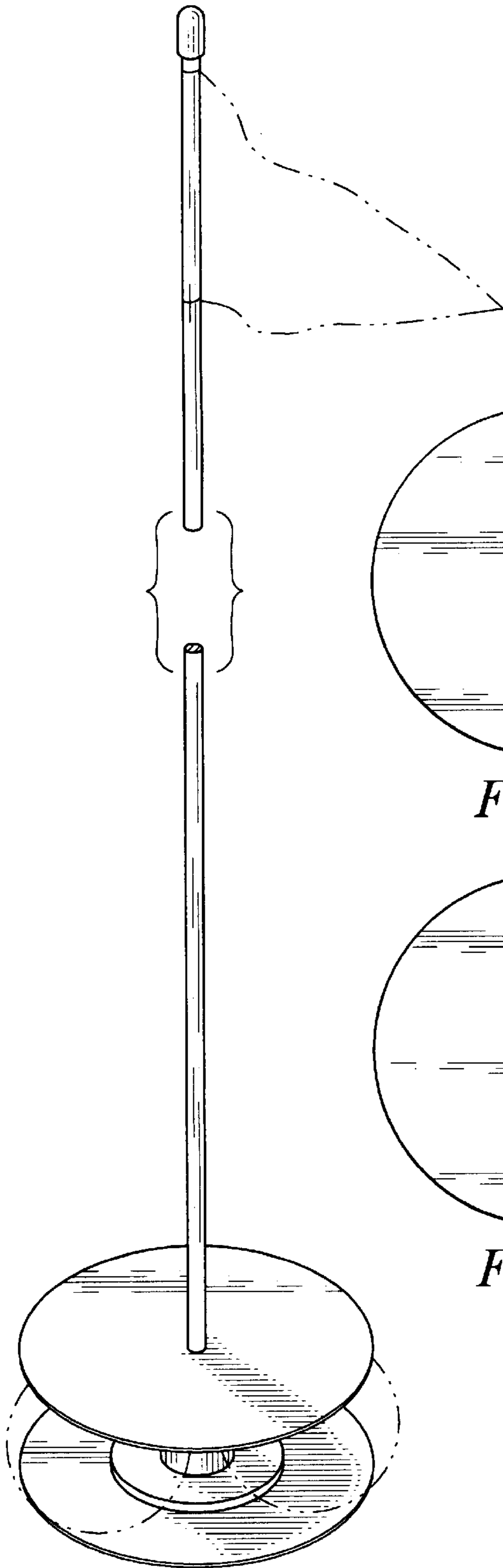


Fig. 1

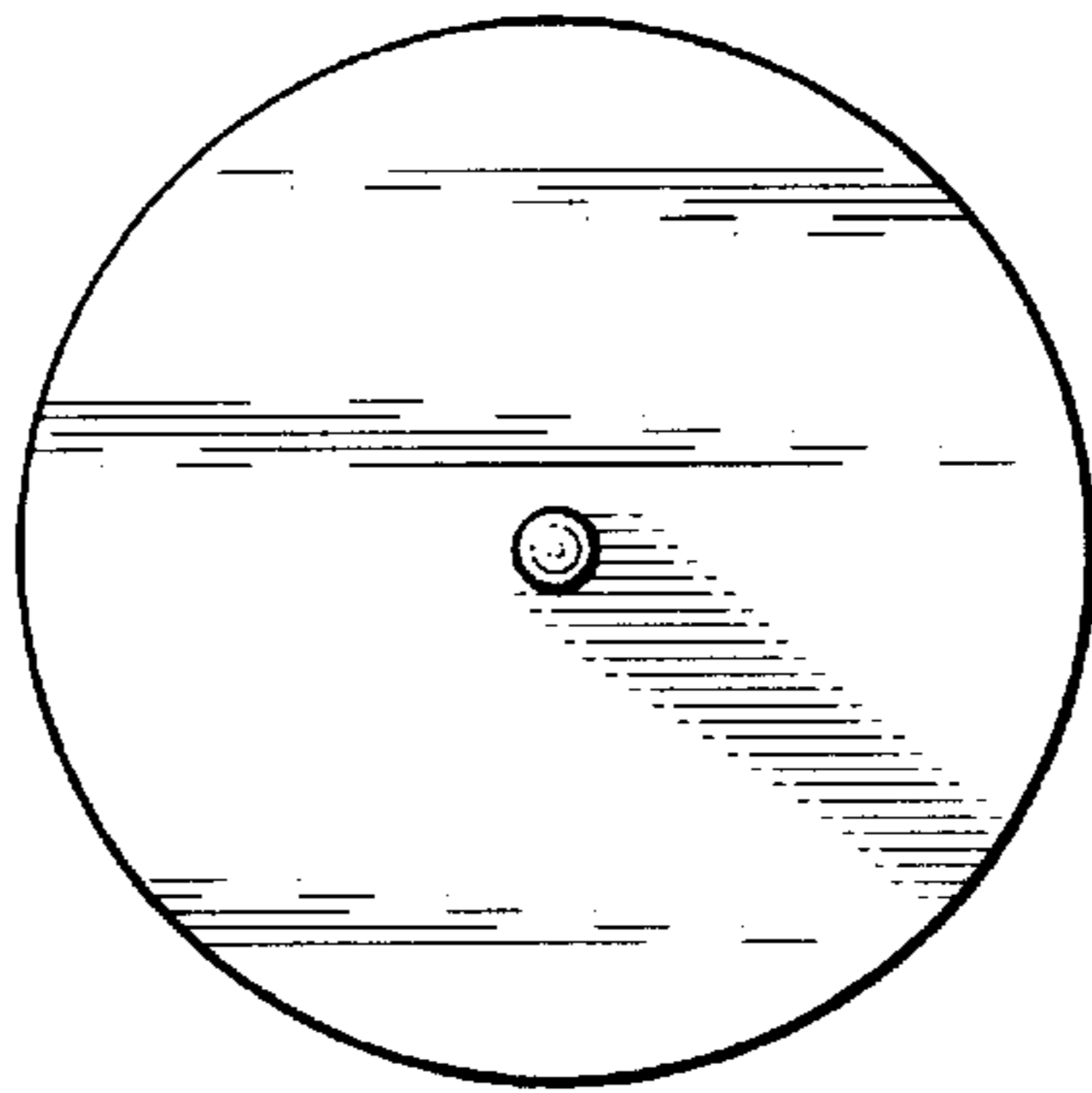


Fig. 3

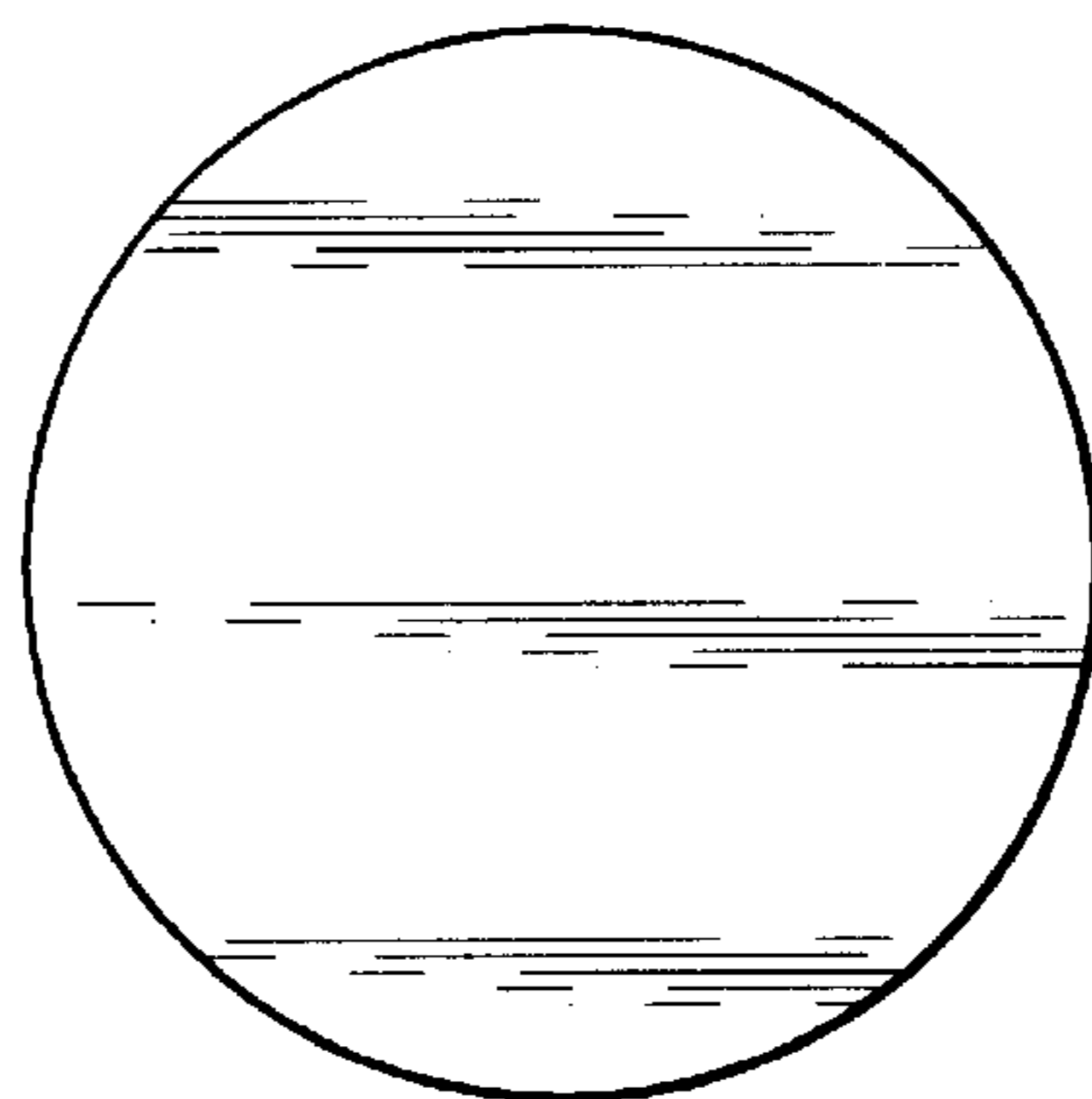


Fig. 4

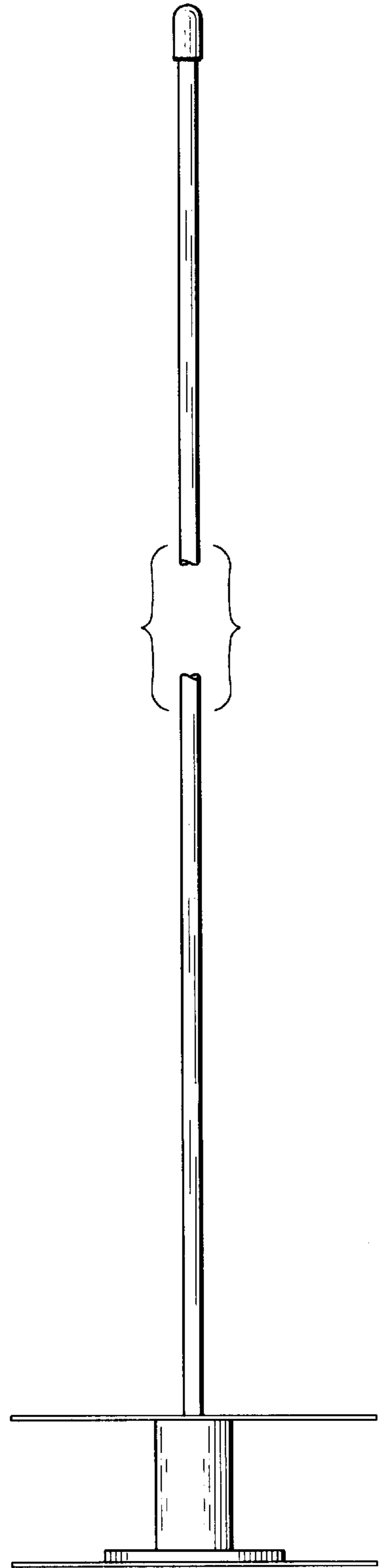


Fig. 2