



US00D442660S

(12) **United States Design Patent**
Patel

(10) **Patent No.:** **US D442,660 S**

(45) **Date of Patent:** **** May 22, 2001**

(54) **INTERNAL TUBE ILLUMINATED,
TRANSLUCENT COMPOSITE WHEEL,
UTILIZING PHOSPHORESCENT PIGMENT**

(76) **Inventor:** **Richard J Patel**, 2052 Town &
Country La., Santa Clara, CA (US)
95050

(**) **Term:** **14 Years**

(21) **Appl. No.:** **29/129,442**

(22) **Filed:** **Sep. 13, 2000**

(51) **LOC (7) Cl.** **21-02**

(52) **U.S. Cl.** **D21/779**

(58) **Field of Search** D21/760, 763-765,
D21/779, 771; 280/11.19, 11.2, 11.215,
11.22, 11.26, 11.27, 809; 301/5.3, 5.7

(56) **References Cited**

U.S. PATENT DOCUMENTS

D. 397,391	*	8/1998	Jirout	D21/779
D. 414,834	*	10/1999	Keleny	D21/779
D. 421,083	*	2/2000	Chen	D21/779
5,278,733	*	1/1994	St. Thomas	280/809
5,630,891	*	5/1997	Peterson	301/513
5,908,519	*	1/1999	Piper	301/513
6,039,330	*	3/2000	Hoskin	280/11.215
6,050,648	*	4/2000	Keleny	301/513
6,085,815	*	7/2000	Piper	301/513

OTHER PUBLICATIONS

Inferno Inline Skates Accessories and Wheels, Mar. 4, 1997.*

* cited by examiner

Primary Examiner—Raphael Barkai

(57) **CLAIM**

The ornamental design for an internal tube illuminated, translucent composite wheel, utilizing phosphorescent pigment, as shown and described.

DESCRIPTION

FIG. 1 is a front, elevational view of an internal tube illuminated, translucent composite wheel utilizing phosphorescent pigment showing my new design, it being understood that the phosphorescent pigment tube is enclosed uniformly within the translucent composite material in a circular fashion; and,

FIG. 2 is a right side view thereof, the opposite side being identical thereto.

The broken line defining the enclosed peripheral boundary between the hub and translucent composite wheel are for illustrative purposes only and form no part of the claimed design. The cross-hatching indicates the region where the phosphorescent pigment tube resides as outlined by phantom lines.

The cross-hatching indicates the region where the phosphorescent pigment tube resides.

1 Claim, 2 Drawing Sheets

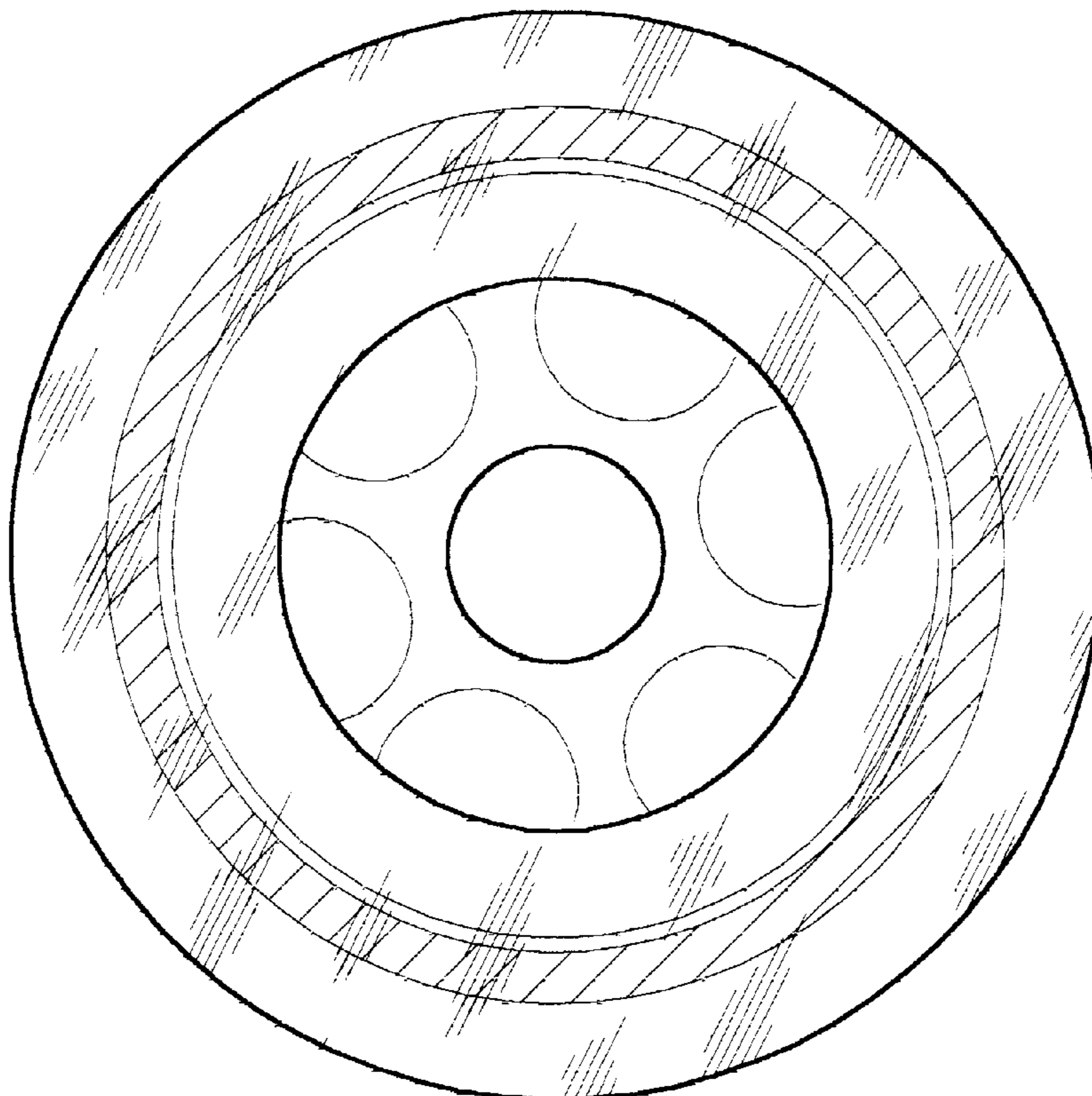


Fig. 1

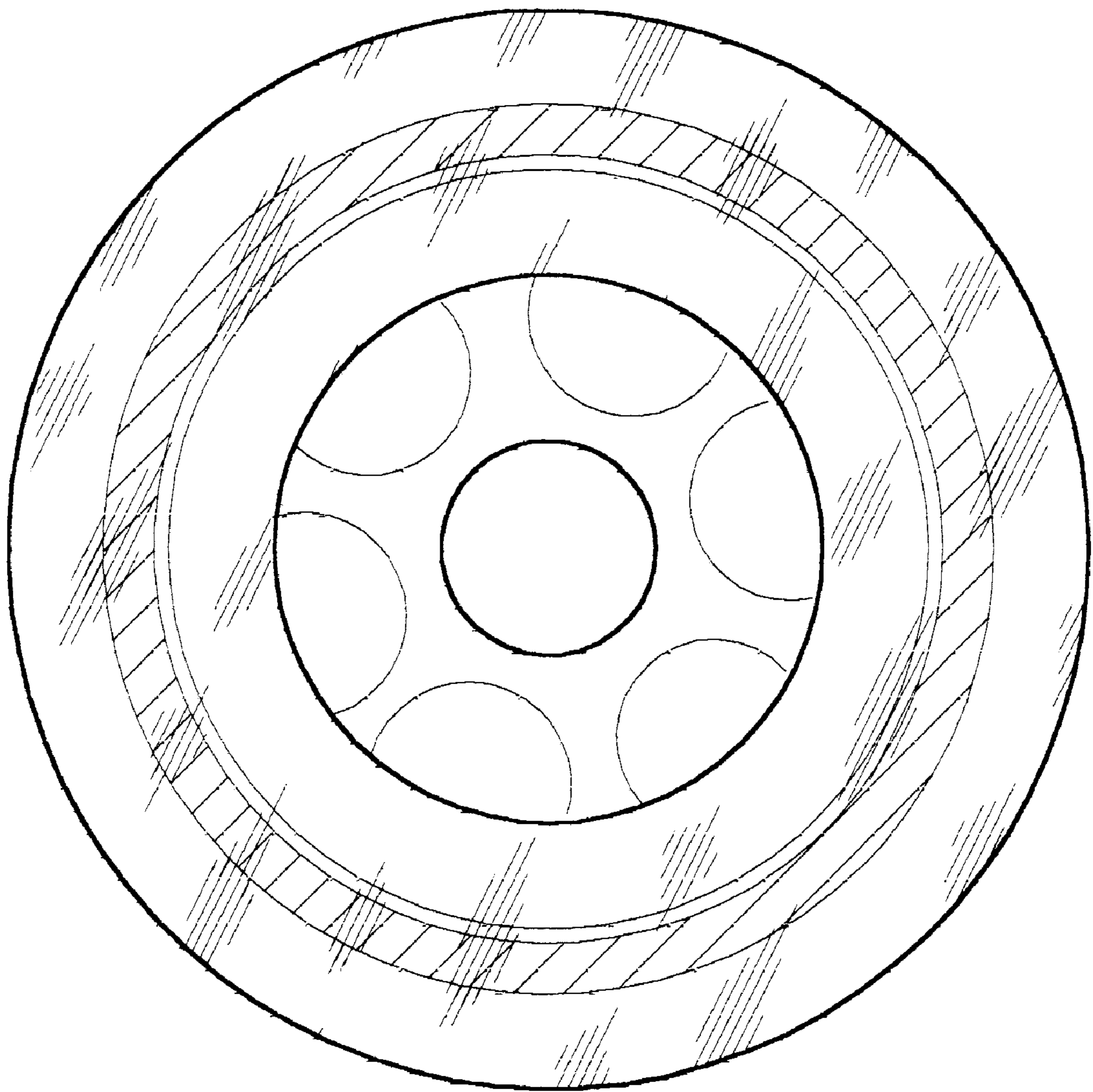


Fig. 2

