



US00D442646S

(12) **United States Design Patent**
Jetter

(10) **Patent No.:** **US D442,646 S**

(45) **Date of Patent:** **** May 22, 2001**

(54) **SCOOTER**

4,552,372 * 11/1985 Jones 280/87.041
5,820,146 * 10/1998 Van Ligten 280/87.041

(76) Inventor: **George G. Jetter**, 3191 State Route 49,
Ft. Recovery, OH (US) 45846-9507

* cited by examiner

(**) Term: **14 Years**

Primary Examiner—Raphael Barkai
(74) *Attorney, Agent, or Firm*—Jacox, Meckstroth &
Jenkins

(21) Appl. No.: **29/123,687**

(22) Filed: **May 24, 2000**

(57) **CLAIM**

The ornamental design of a scooter, as shown and described.

(51) **LOC (7) Cl.** **21-01**

(52) **U.S. Cl.** **D21/423**

DESCRIPTION

(58) **Field of Search** D21/419, 421,
D21/423, 424, 426, 435, 533, 760, 765,
771; D12/107, 110-112; 280/87.01, 87.021,
87.041, 87.042, 62, 282; 180/181, 216

FIG. 1 is a perspective view of a scooter showing my new design;
FIG. 2 is a top view thereof;
FIG. 3 is a bottom view thereof;
FIG. 4 is a side view thereof, the opposite side view being a mirror image;
FIG. 5 is a front view thereof; and,
FIG. 6 is a rear view thereof.

(56) **References Cited**

U.S. PATENT DOCUMENTS

D. 95,770 * 5/1935 Mellon D21/423
D. 161,573 * 1/1951 De Camp D21/423
2,413,530 * 12/1946 Taylor D21/423

1 Claim, 2 Drawing Sheets

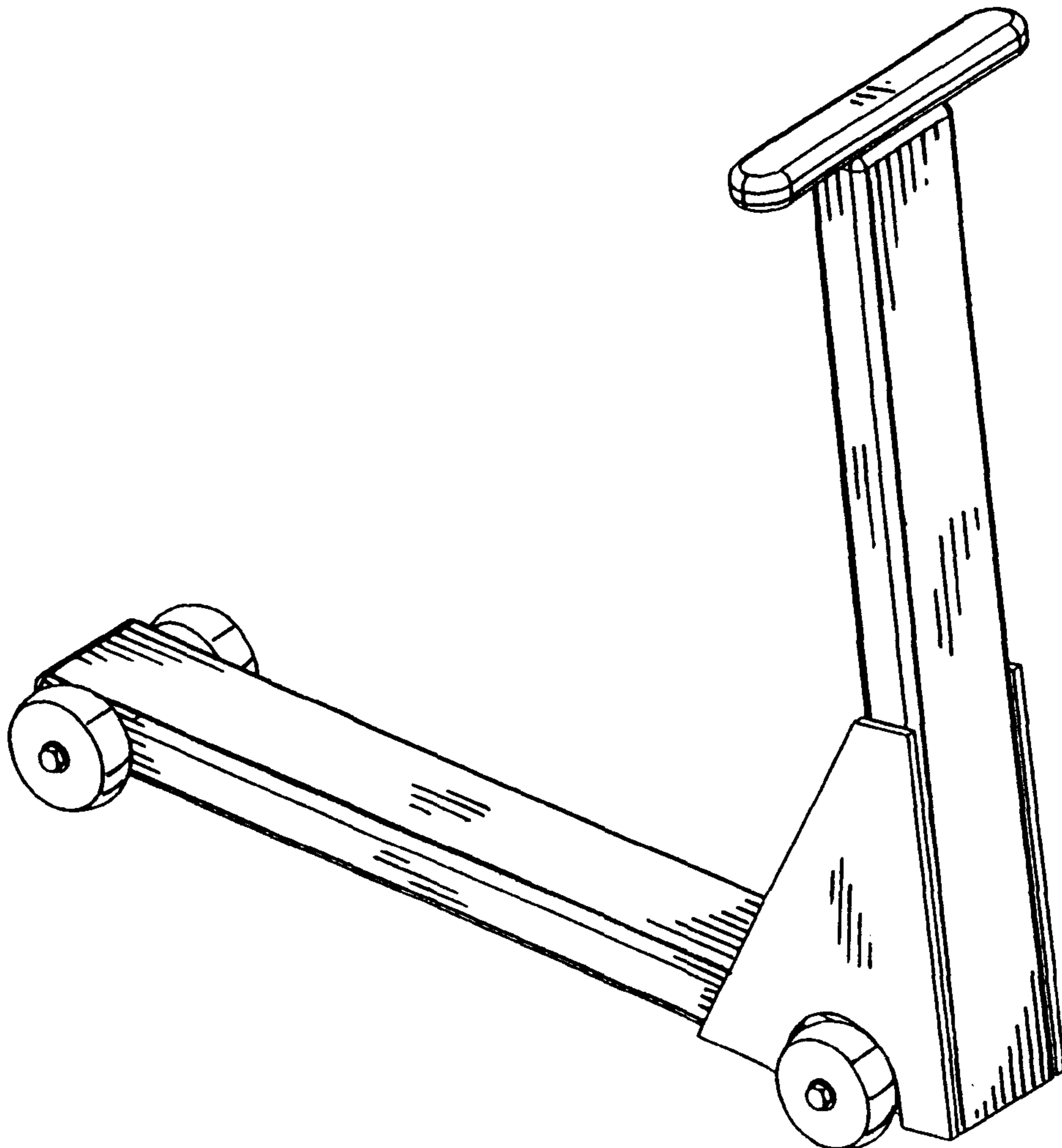


FIG-1

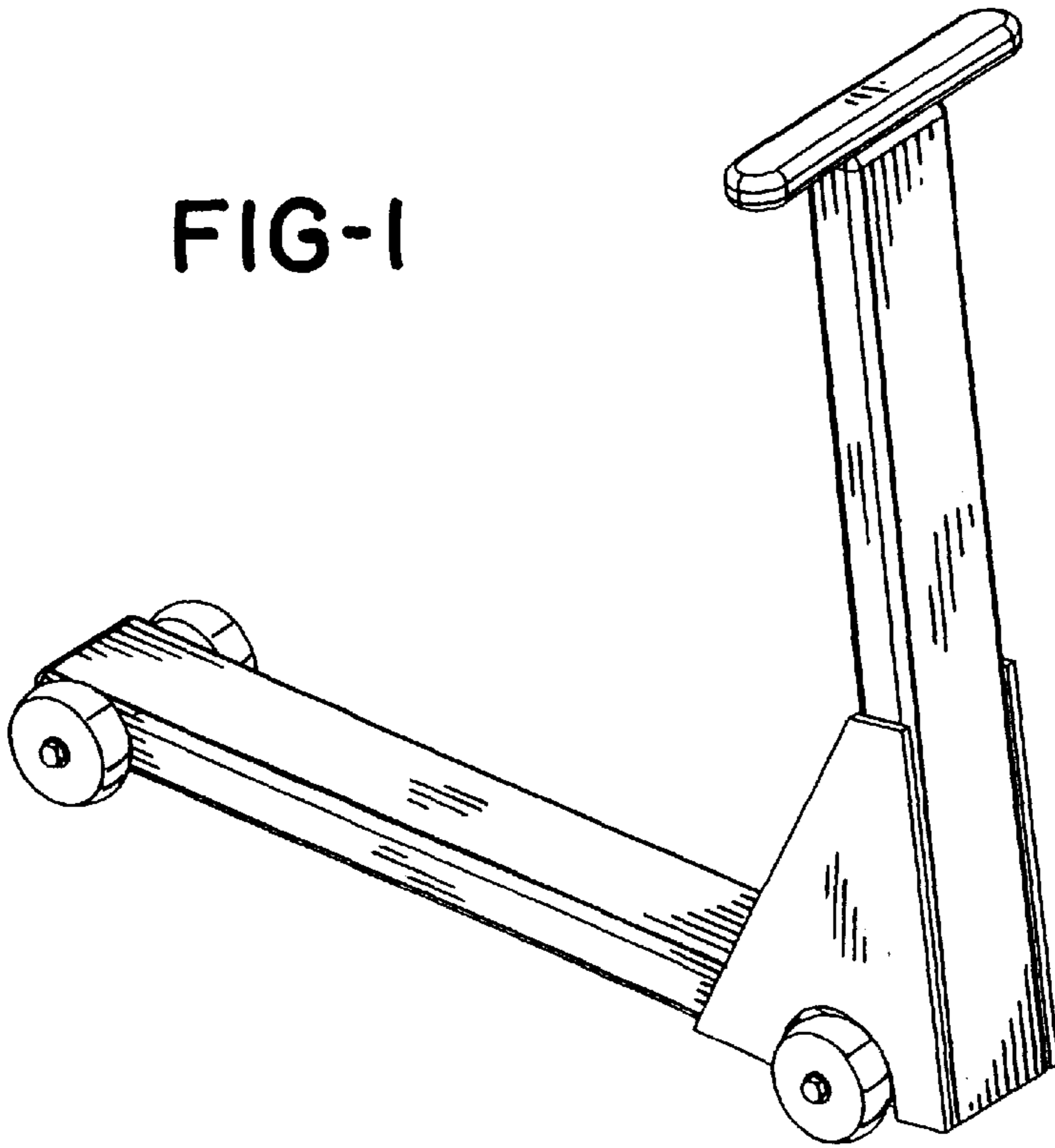


FIG-2

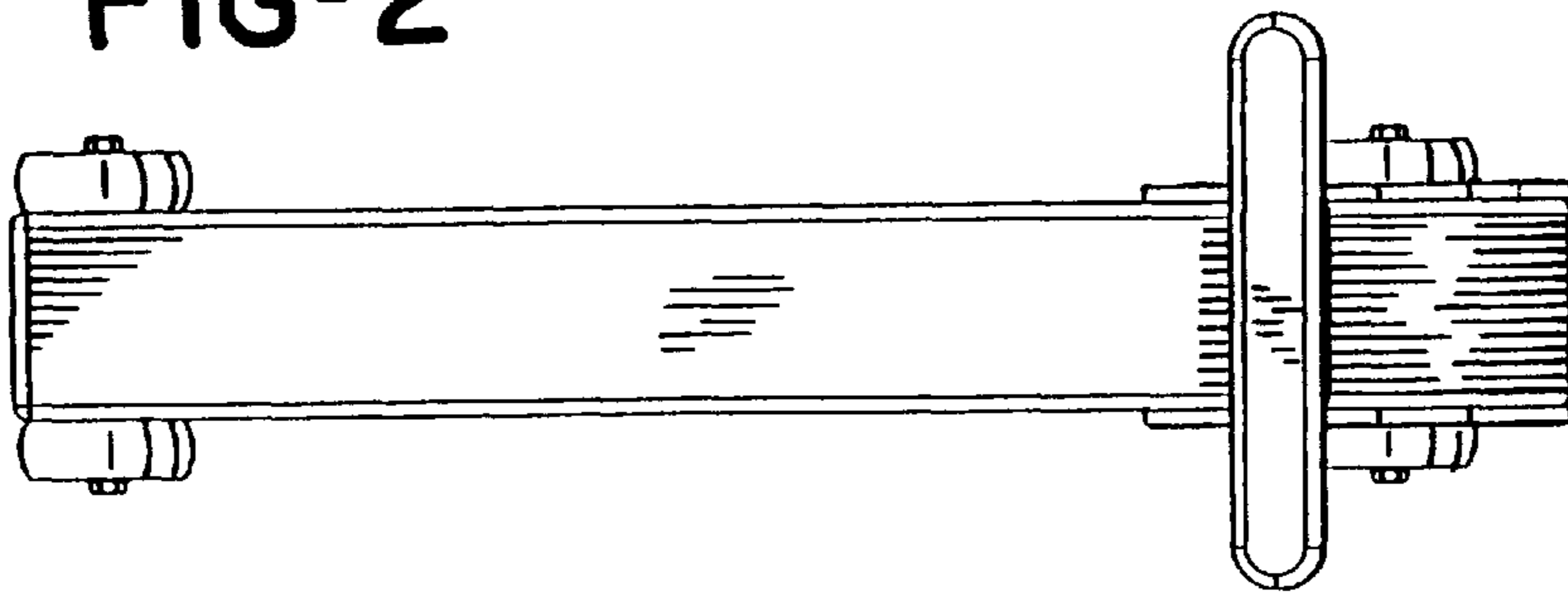
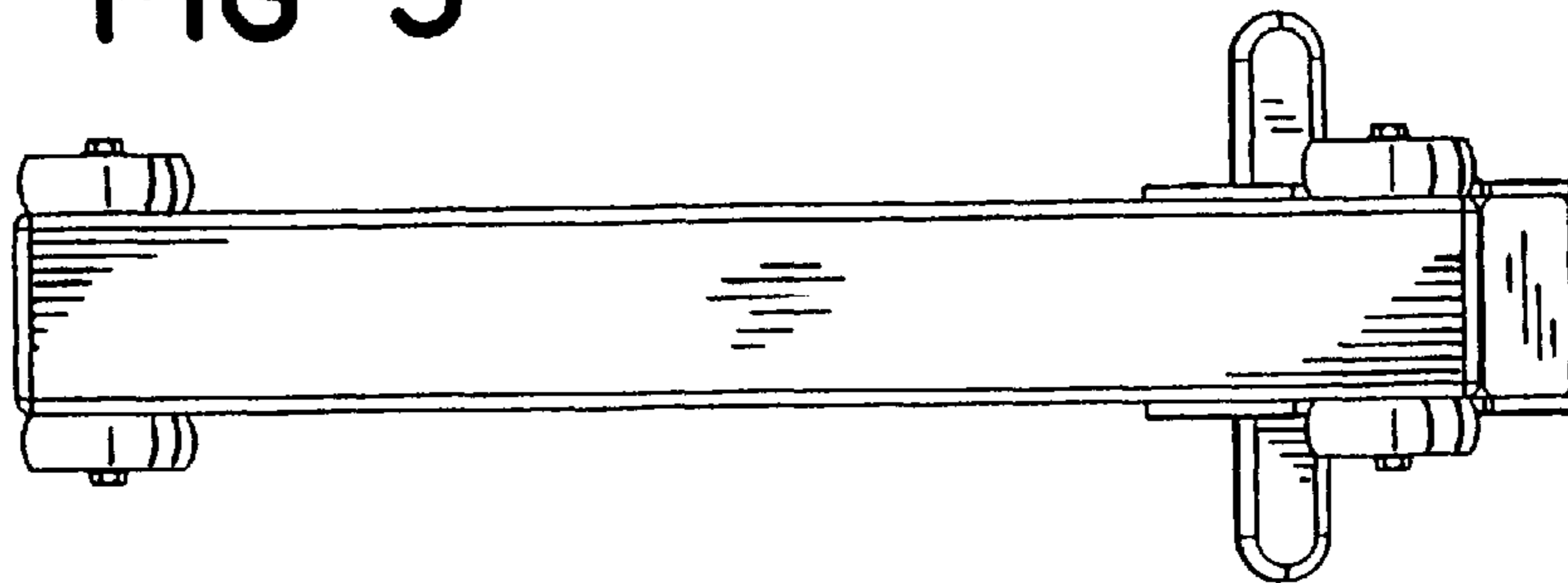


FIG-3



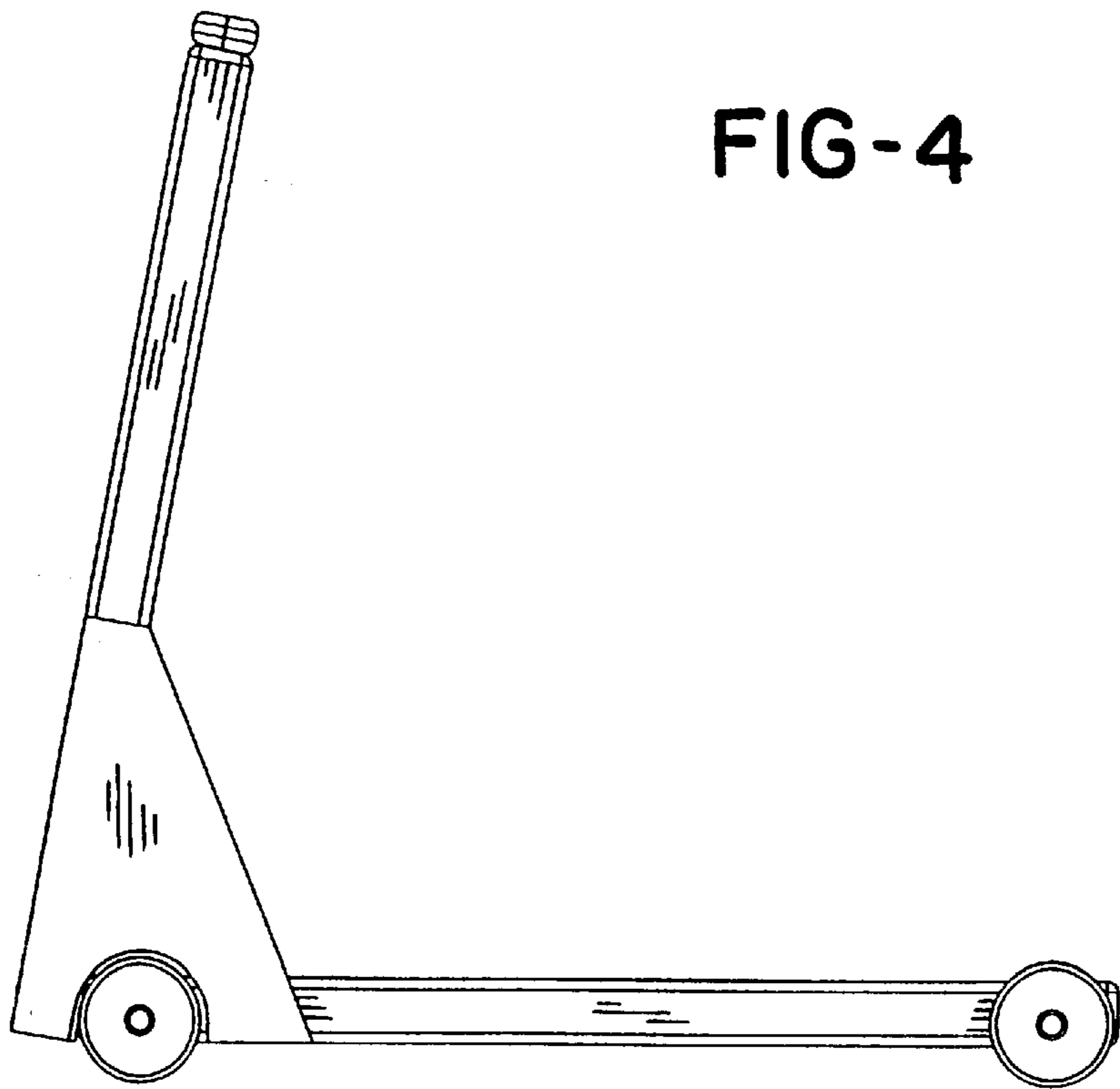


FIG-4

FIG-5

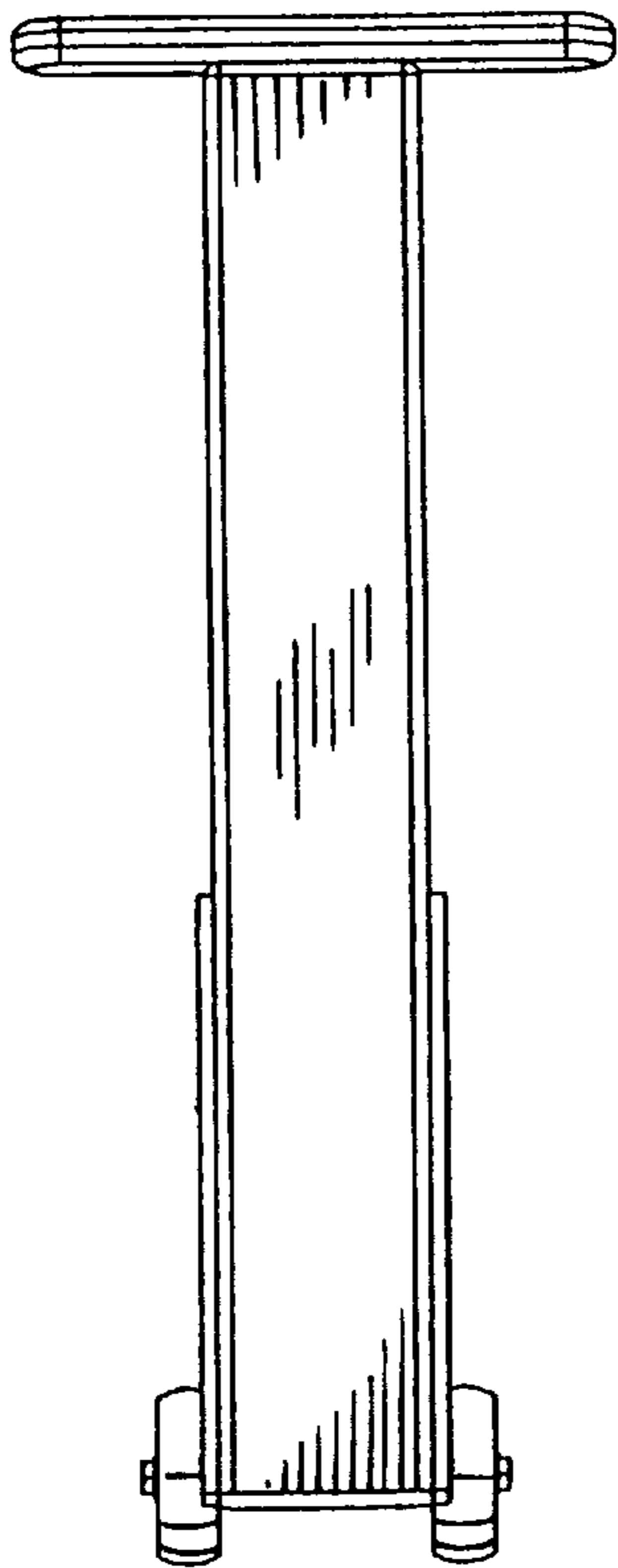


FIG-6

