



US00D442644S

(12) **United States Design Patent**  
**Kiecker**

(10) **Patent No.:** **US D442,644 S**

(45) **Date of Patent:** **\*\* May 22, 2001**

(54) **WOODEN TOY**

(76) **Inventor:** **Kamila Kiecker**, 6945 W. 34th St.,  
Berwyn, IL (US) 60402

(\*\*) **Term:** **14 Years**

(21) **Appl. No.:** **29/109,978**

(22) **Filed:** **Aug. 30, 1999**

(51) **LOC (7) Cl.** ..... **21-01**

(52) **U.S. Cl.** ..... **D21/398; D21/812**

(58) **Field of Search** ..... **D21/398, 478,**  
**D21/479, 811, 812; 472/71**

(56) **References Cited**

**U.S. PATENT DOCUMENTS**

D. 140,417 \* 2/1945 Franke ..... D21/812

D. 311,569 \* 10/1990 Edwards ..... D21/812

D. 371,172 \* 6/1996 Foreshew ..... D21/479

2,498,298 \* 2/1950 Renz ..... 472/71

\* cited by examiner

*Primary Examiner*—Dominic Simone

(57) **CLAIM**

The ornamental design for a wooden toy, as shown.

**DESCRIPTION**

FIG. 1 is a perspective view of the wooden toy of the present invention; and,

FIG. 2 is an exploded perspective view thereof.

**1 Claim, 2 Drawing Sheets**

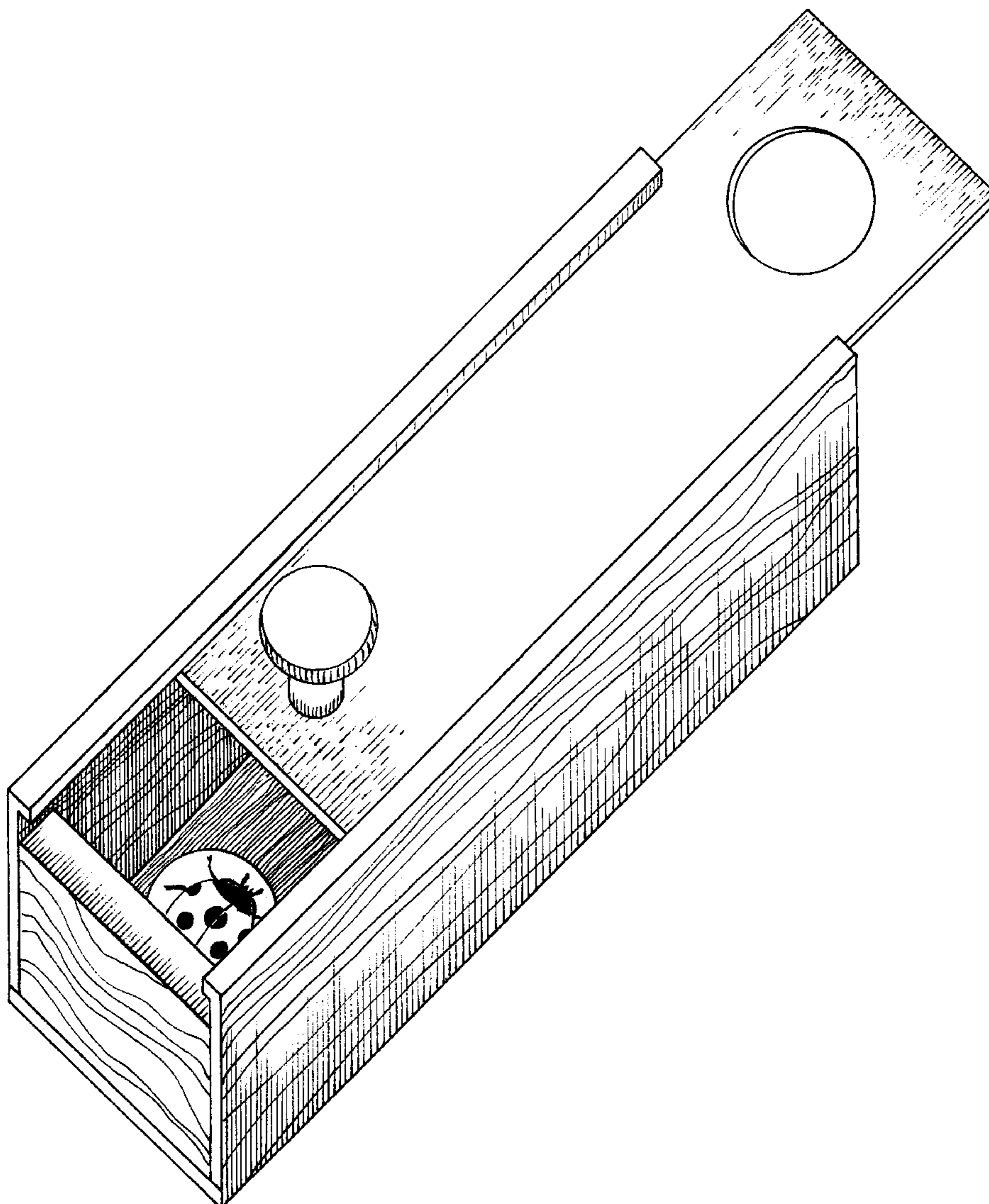


Fig. 1

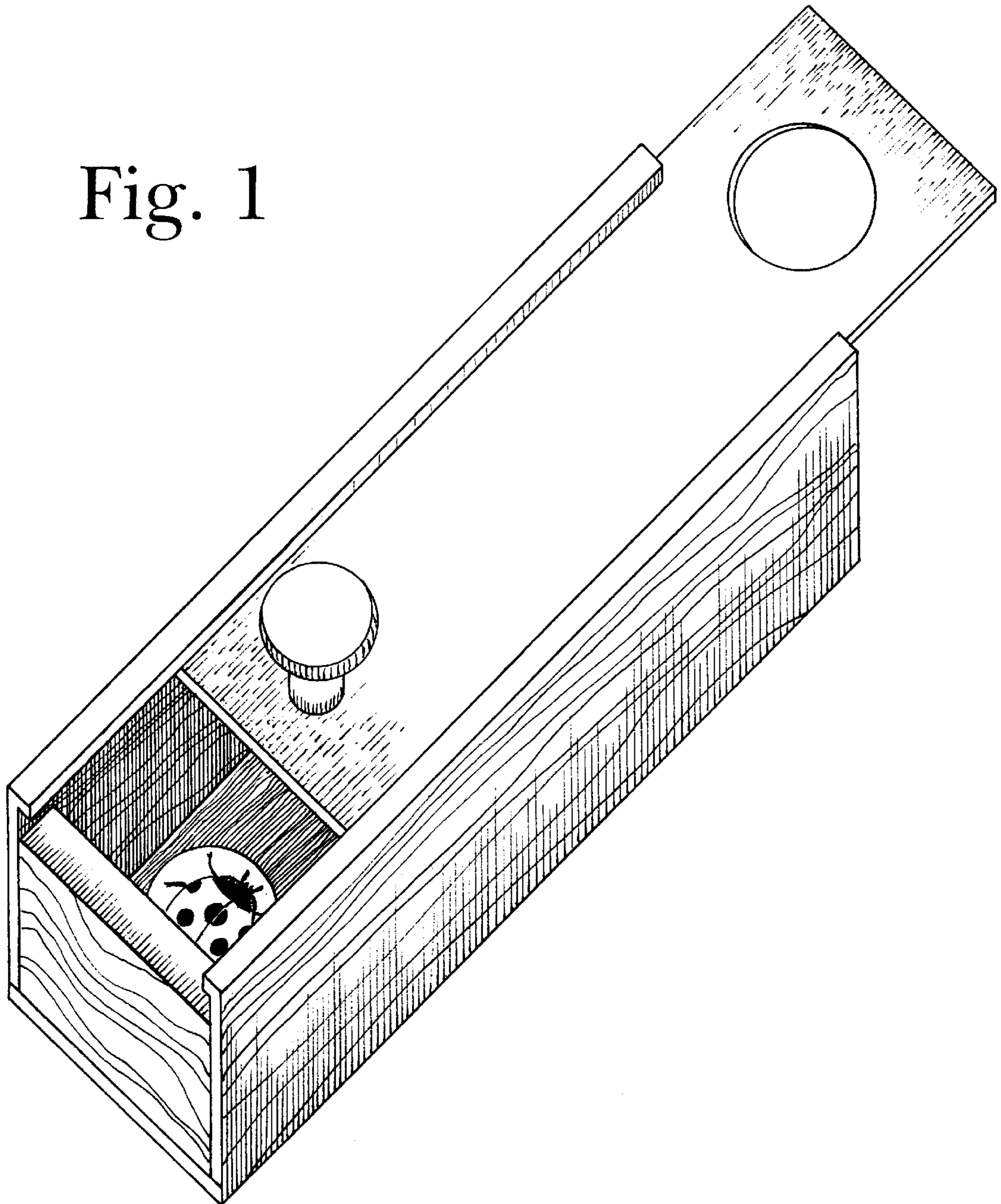


Fig. 2

