



US00D442642S

(12) **United States Design Patent**
Gaylord et al.

(10) **Patent No.:** **US D442,642 S**

(45) **Date of Patent:** **** May 22, 2001**

(54) **CHESS-PIECE SET**

(76) Inventors: **Clarence Gaylord; Lillian Gaylord; Selena Gaylord**, all of 2135 Madison Ave., New York, NY (US) 10037

(**) Term: **14 Years**

(21) Appl. No.: **29/127,172**

(22) Filed: **Jul. 28, 2000**

(51) **LOC (7) Cl.** **21-01**

(52) **U.S. Cl.** **D21/389**

(58) **Field of Search** D21/334-368, D21/385, 386, 388-391, 639; 273/236-285, 288-291; D9/316; D11/136, 160

(56) **References Cited**

U.S. PATENT DOCUMENTS

D. 158,518	*	5/1950	Schlossberg	D21/388
D. 163,464		5/1951	Logan	.	
D. 171,954	*	4/1954	Pisani	D11/160
D. 179,143	*	11/1956	Mitchell et al.	D21/639
D. 188,353	*	7/1960	Merrill	D11/160
D. 195,902	*	8/1963	Kocab	D21/639
D. 196,326	*	9/1963	Linderman et al.	D11/160
D. 230,181	*	1/1974	Silber	D21/388
D. 249,288		9/1978	Hodkin	D21/52
D. 250,424		11/1978	Di Martino	.	

D. 375,532	11/1996	Branham	D21/52
1,405,988	2/1922	Erwin	.	
4,294,634	10/1981	Mookil	156/59

OTHER PUBLICATIONS

Life Magazine, May 7, 1956. p. 72, Chess game.*
Gift and Art Buyer, Aug. 1959. p. 79, Aztec chess set.*

* cited by examiner

Primary Examiner—Sandra L. Morris

(57) **CLAIM**

The ornamental design for a novel chess-piece set, as shown and described.

DESCRIPTION

FIG. 1 is a front elevational view of the novel chess-piece set of the present invention;

FIG. 2 is a rear elevational view of the novel chess-piece set of FIG. 1;

FIG. 3 is a left side elevational view of the novel chess-piece set of FIG. 1, the right view being a mirror image thereof; FIG. 4 is a top plan view of the novel chess-piece set of FIG. 1; and,

FIG. 5 is a bottom plan view of the novel chess-piece set of FIG. 1.

1 Claim, 5 Drawing Sheets

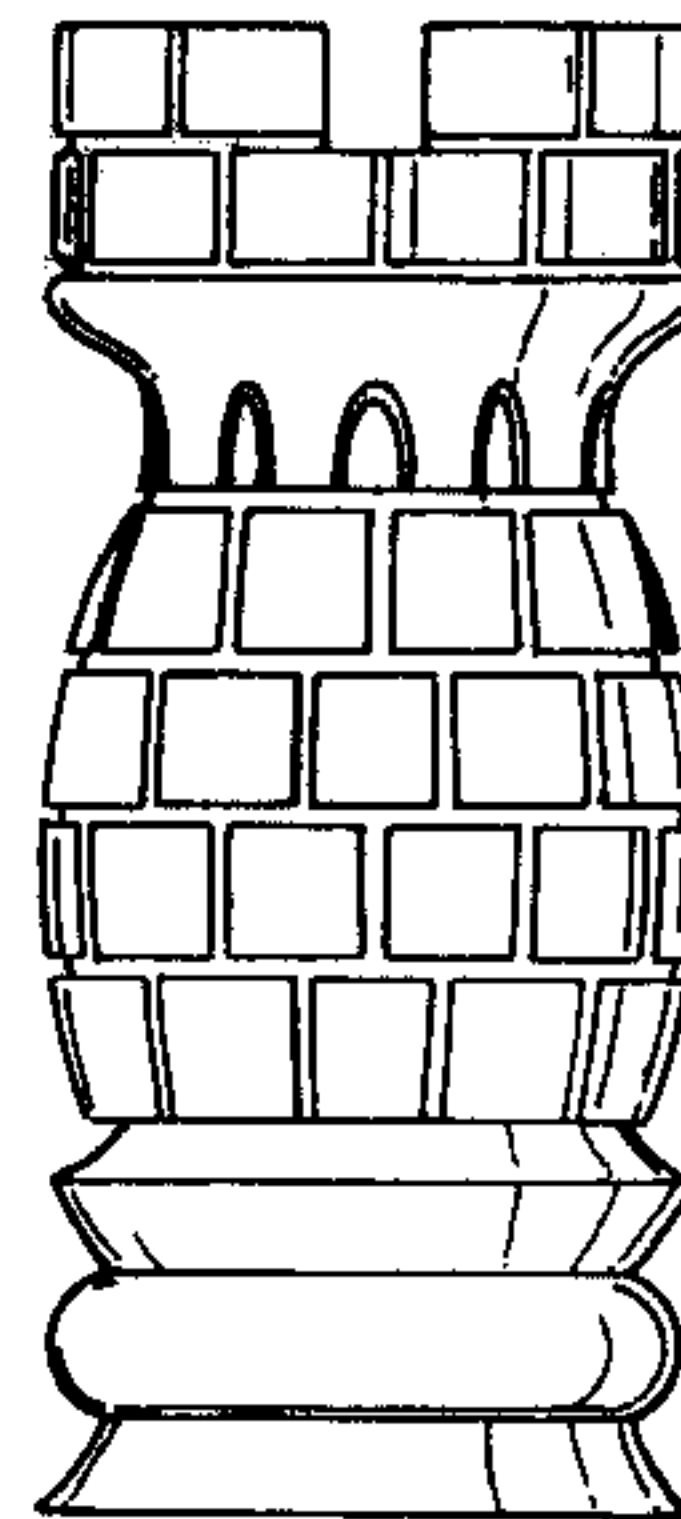
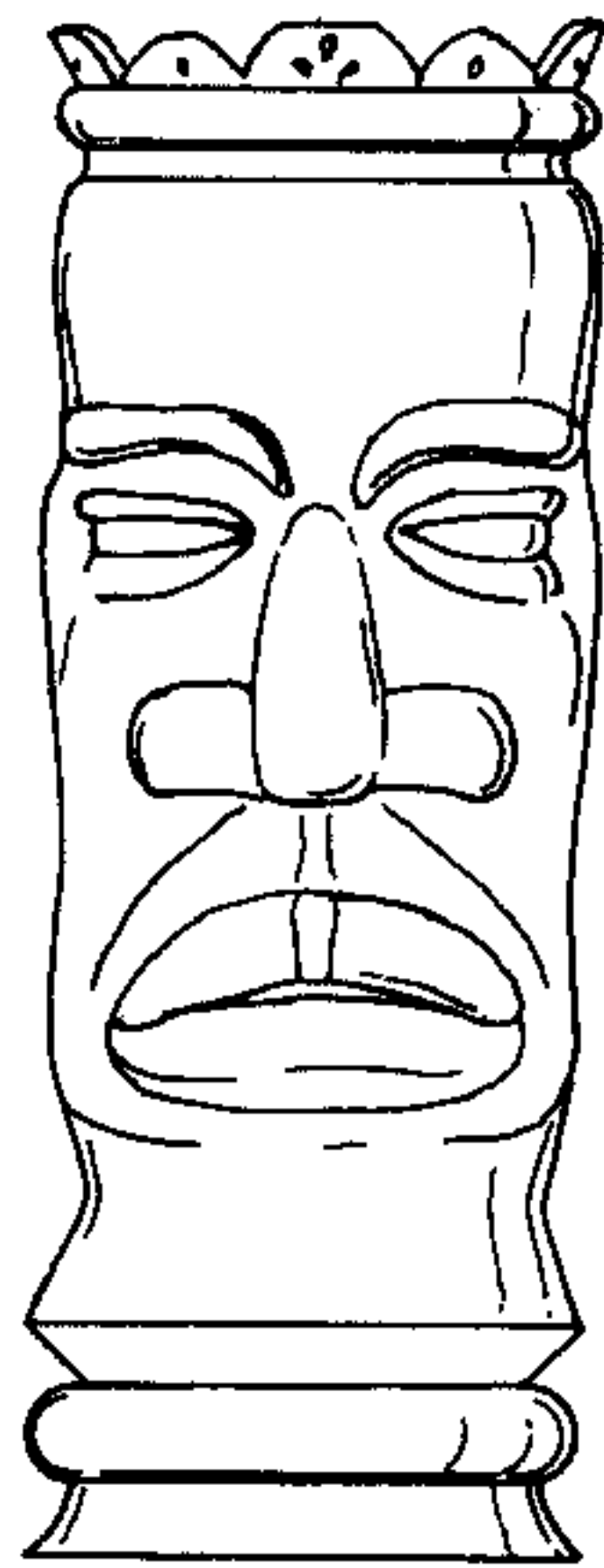


FIG. 1

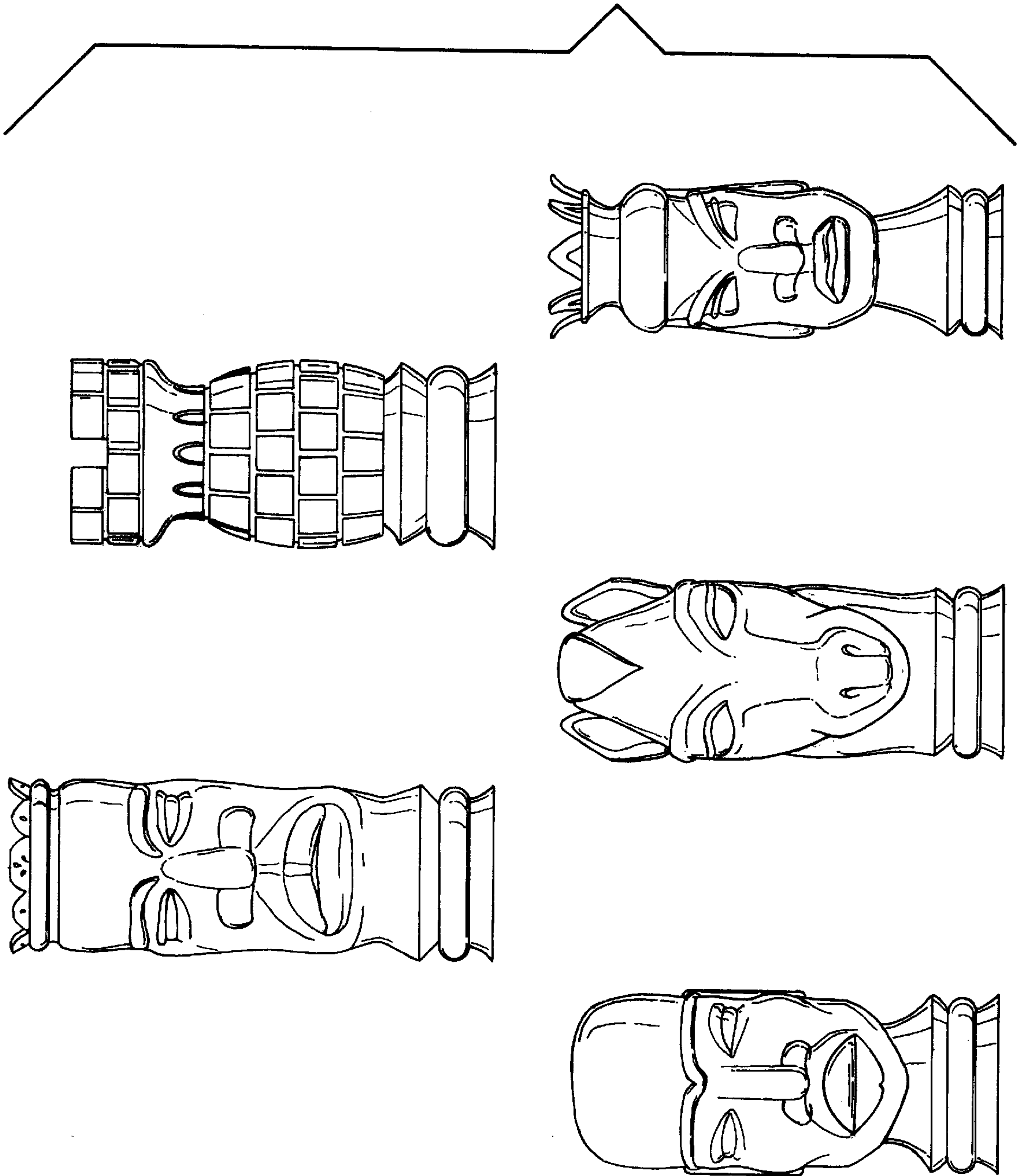


FIG. 2

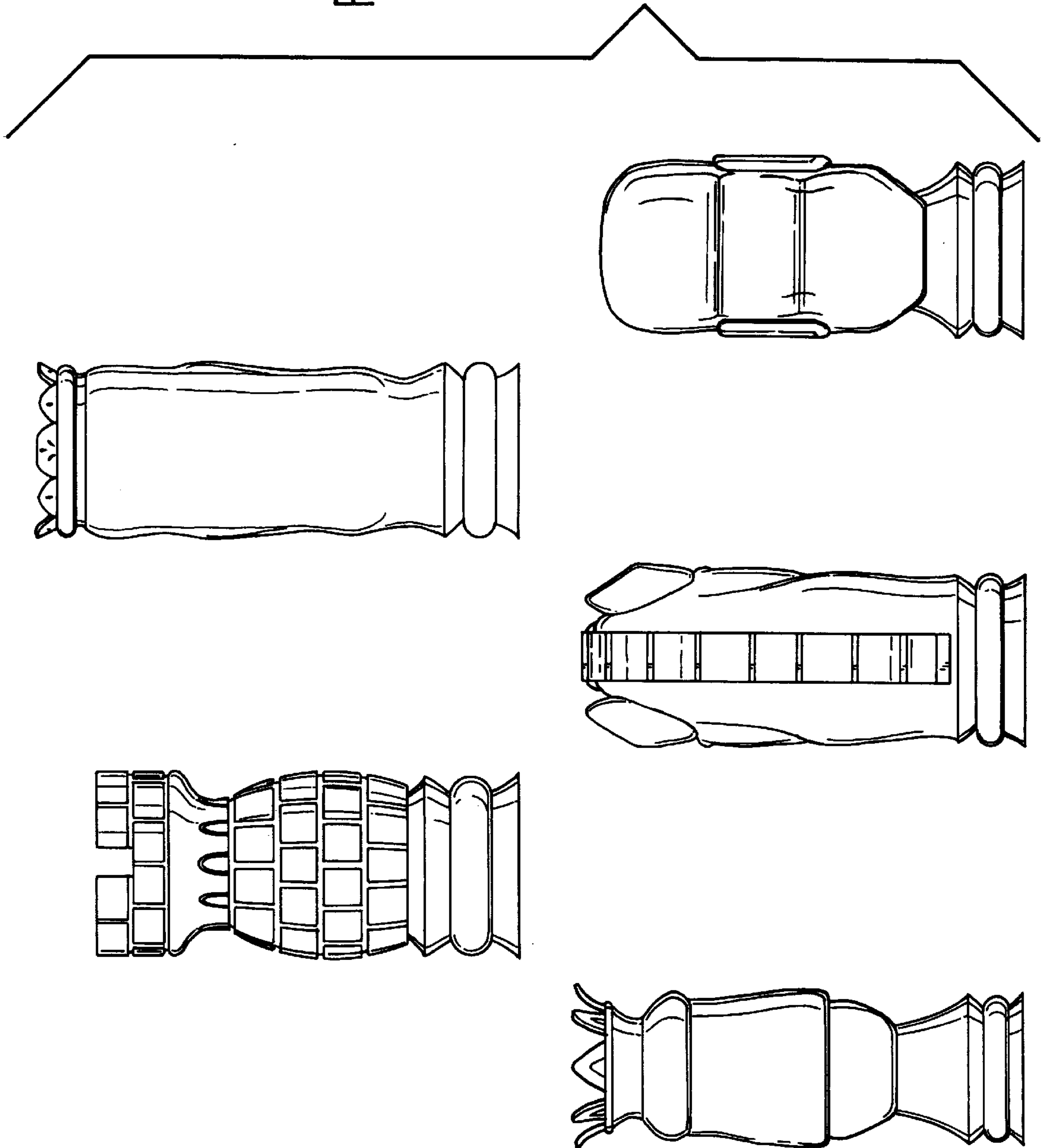


FIG.3

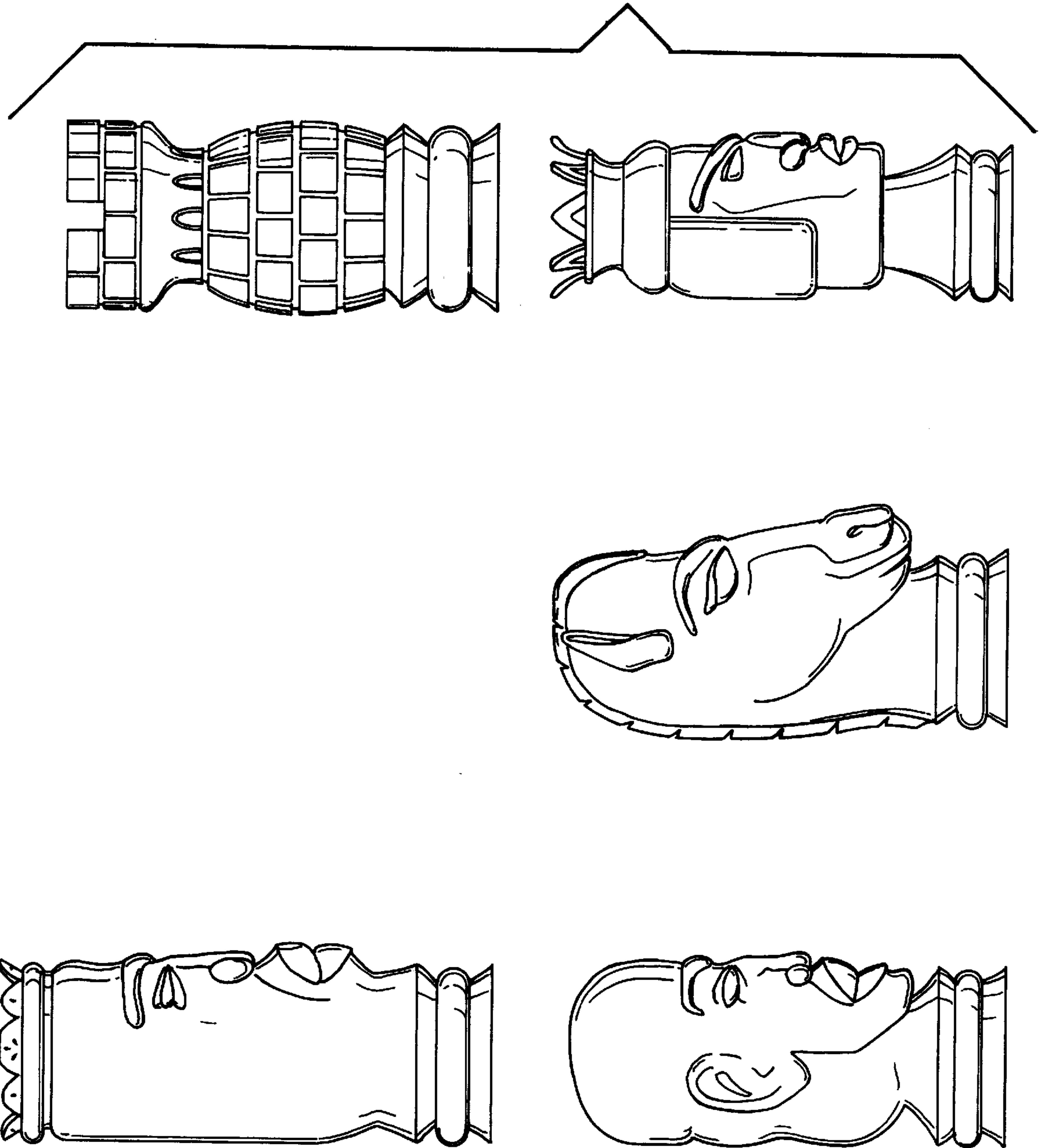


FIG.4

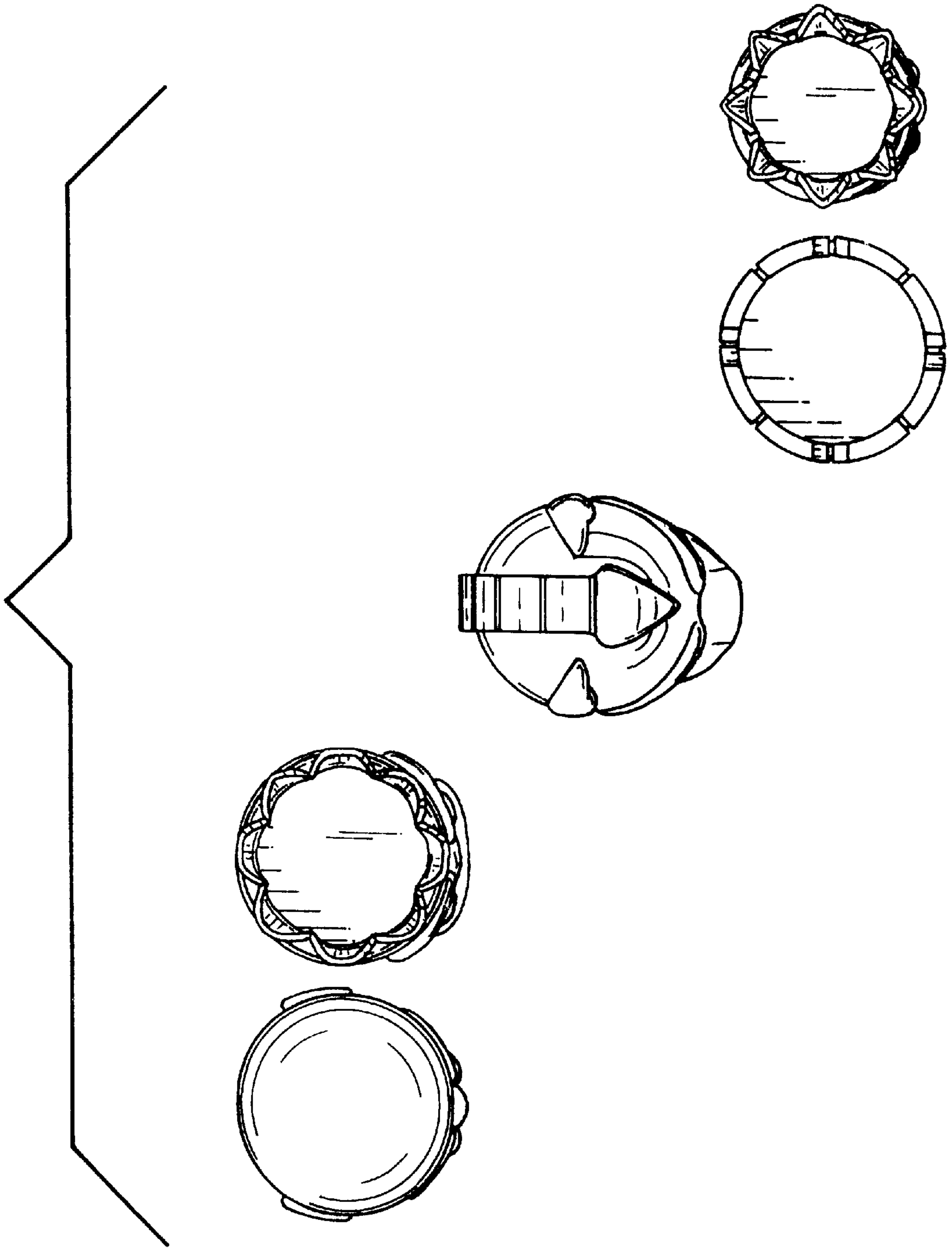


FIG. 5

