



US00D442637S

(12) **United States Design Patent**
Dorrell et al.

(10) **Patent No.:** **US D442,637 S**

(45) **Date of Patent:** **** May 22, 2001**

(54) **POSTAGE STAMP DISPENSER**

(75) Inventors: **Kenneth Lloyd Dorrell**, Kansas City;
Christopher J. Clute, Lees Summit,
both of MO (US)

(73) Assignee: **The Ensemble Company**, Lenexa, KS
(US)

(**) Term: **14 Years**

(21) Appl. No.: **29/131,042**

(22) Filed: **Oct. 11, 2000**

(51) **LOC (7) Cl.** **19-02**

(52) **U.S. Cl.** **D19/69; D19/97; D19/89;**
D99/29

(58) **Field of Search** D19/65, 72, 75,
D19/67, 68, 69, 89, 95, 96, 97, 99, 100;
D99/29-33; 242/146; 206/39, 39.1-39.8;
221/30, 32, 69-73, 312 B, 312 C; D20/10;
232/17, 24

(56) **References Cited**

U.S. PATENT DOCUMENTS

D. 165,656 * 1/1952 Lathrop D19/69
D. 228,412 * 9/1973 Macowski D19/69

D. 310,102 * 8/1990 Rittenhouse D19/67
D. 313,104 * 12/1990 Bertram D99/29
D. 374,461 * 10/1996 Greenlee D20/10
1,805,619 * 5/1931 Fuller 242/146 X
2,847,118 * 8/1958 Johnson 206/39.3
3,099,389 * 7/1963 Vadnai 232/24
3,981,436 * 9/1976 Neal 232/17

* cited by examiner

Primary Examiner—Martie K. Holtje

(74) *Attorney, Agent, or Firm*—Pillsbury Winthrop LLP

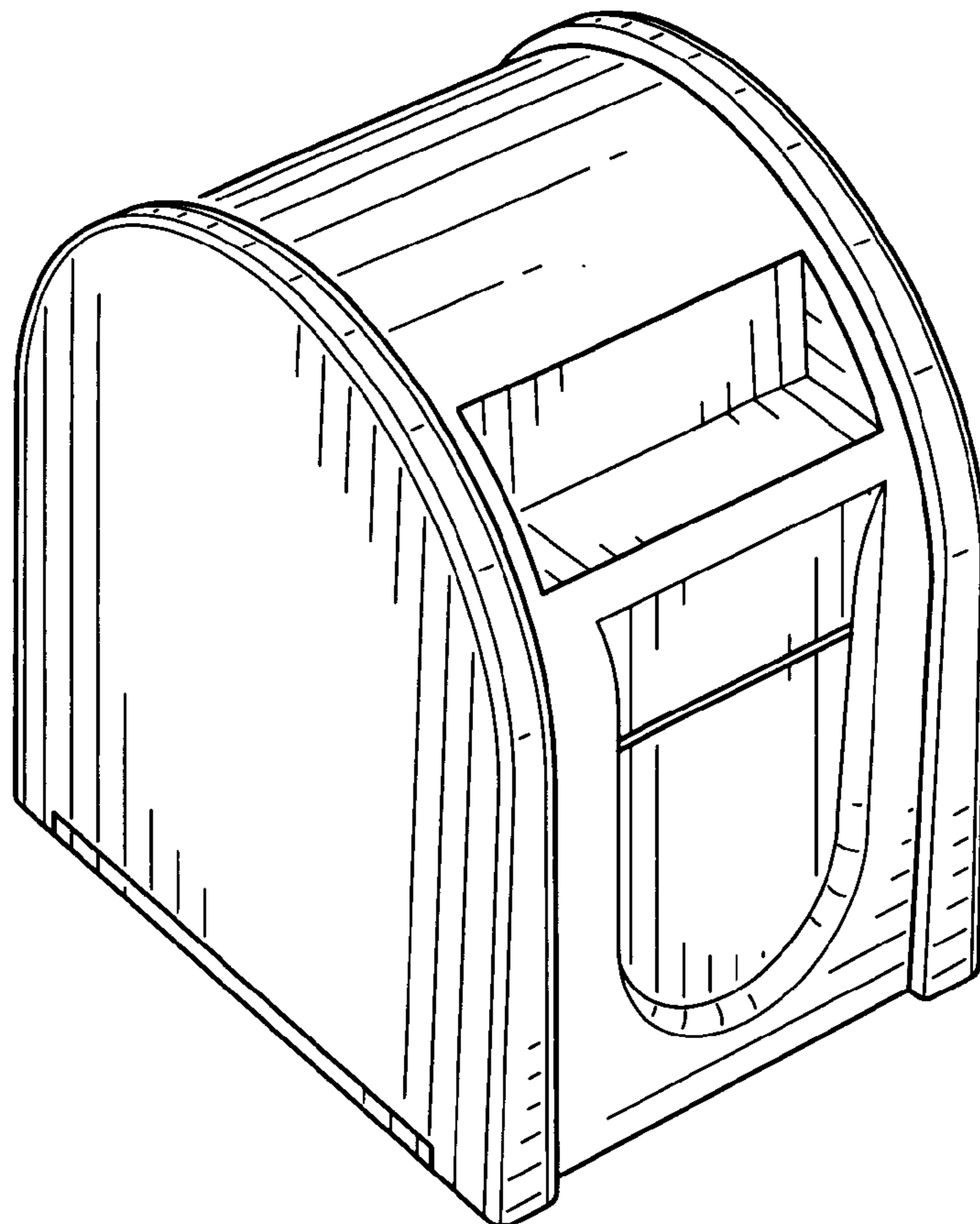
(57) **CLAIM**

The ornamental design for a postage stamp dispenser, as shown and described.

DESCRIPTION

FIG. 1 is a perspective view of a postage stamp dispenser showing our new design;
FIG. 2 is a front elevation thereof;
FIG. 3 is a side elevation view thereof, the opposite side elevation view being a mirror image thereof;
FIG. 4 is a rear elevation view thereof;
FIG. 5 is a top plan view thereof; and,
FIG. 6 is a bottom plan view thereof.

1 Claim, 1 Drawing Sheet



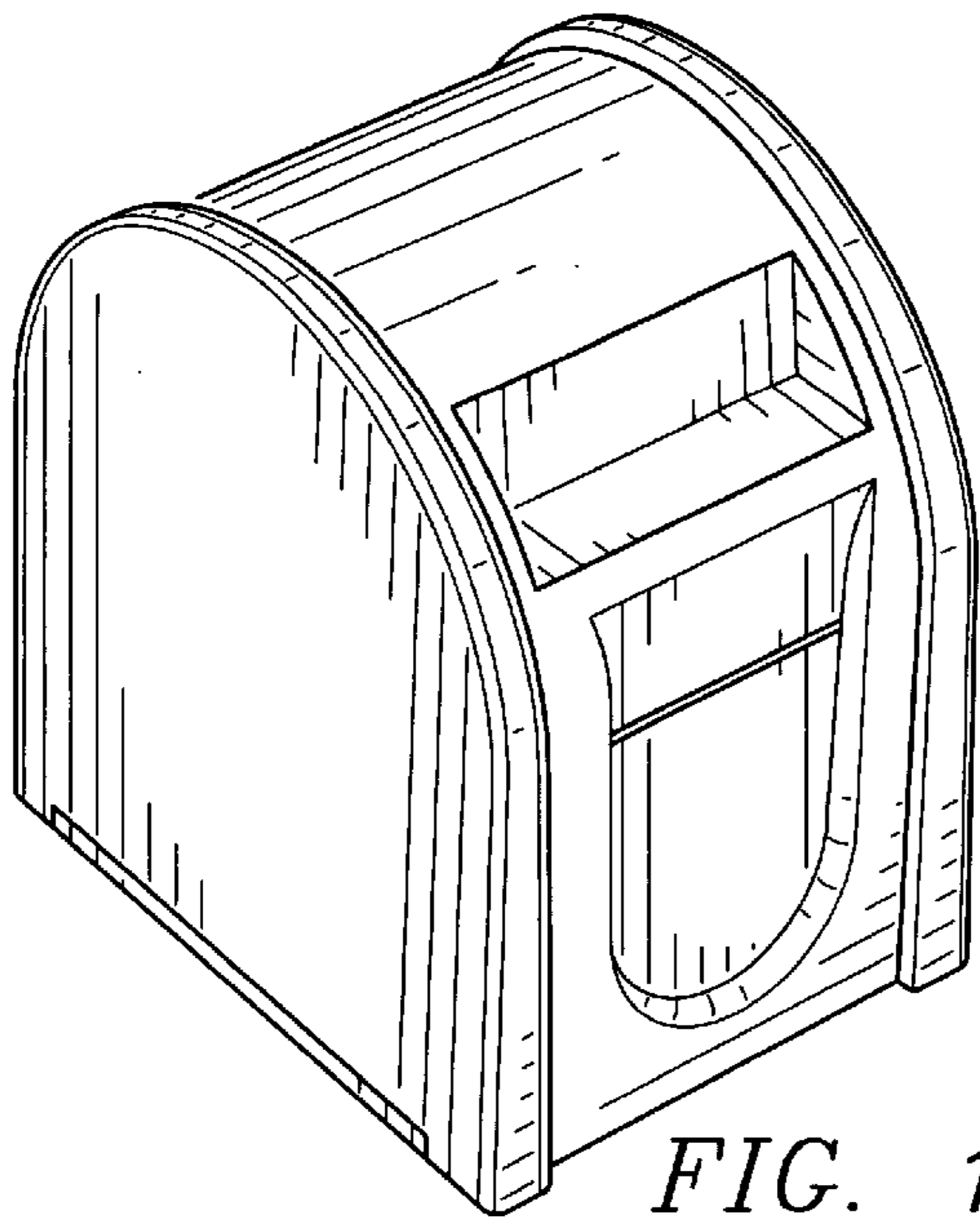


FIG. 1

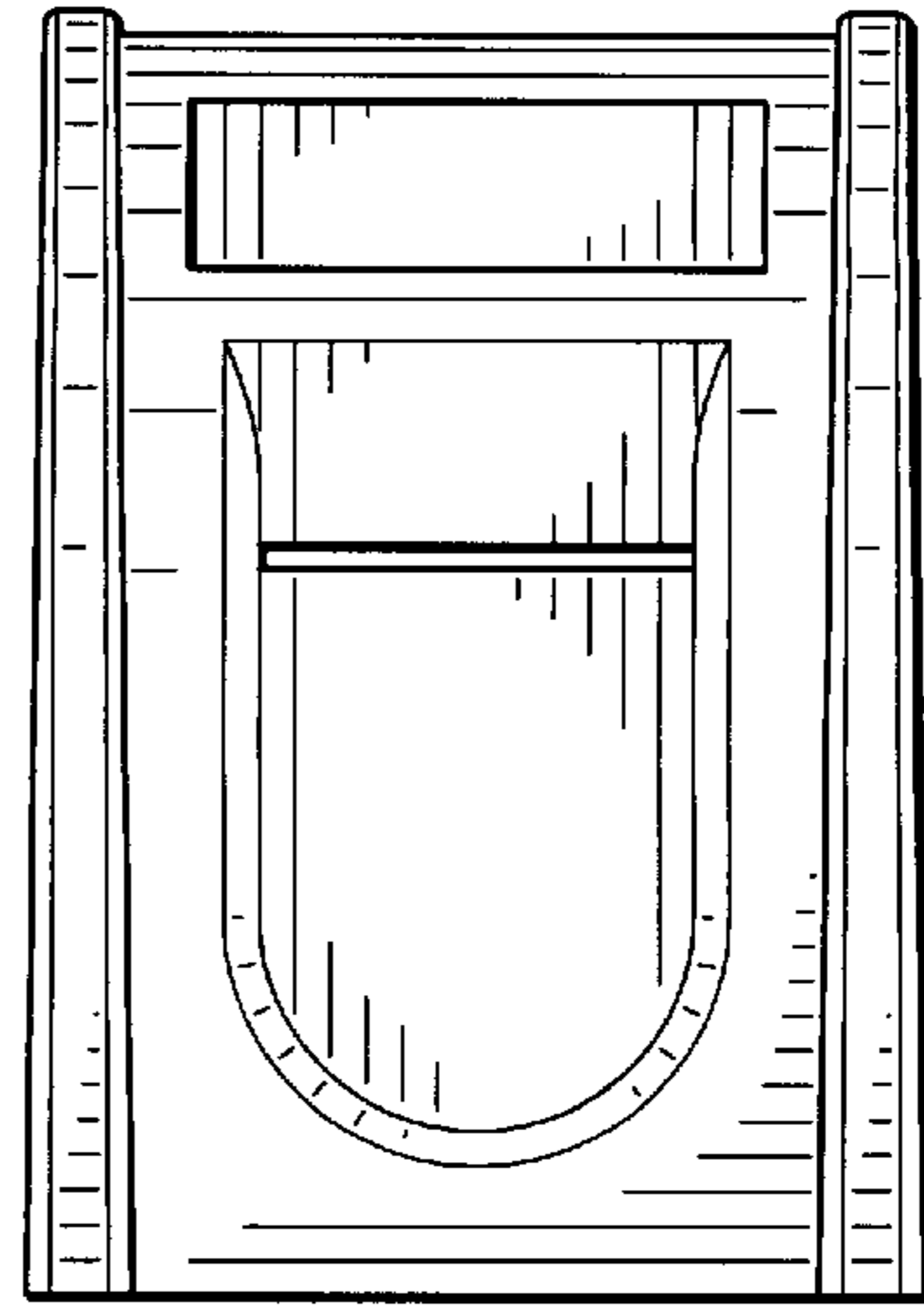


FIG. 2

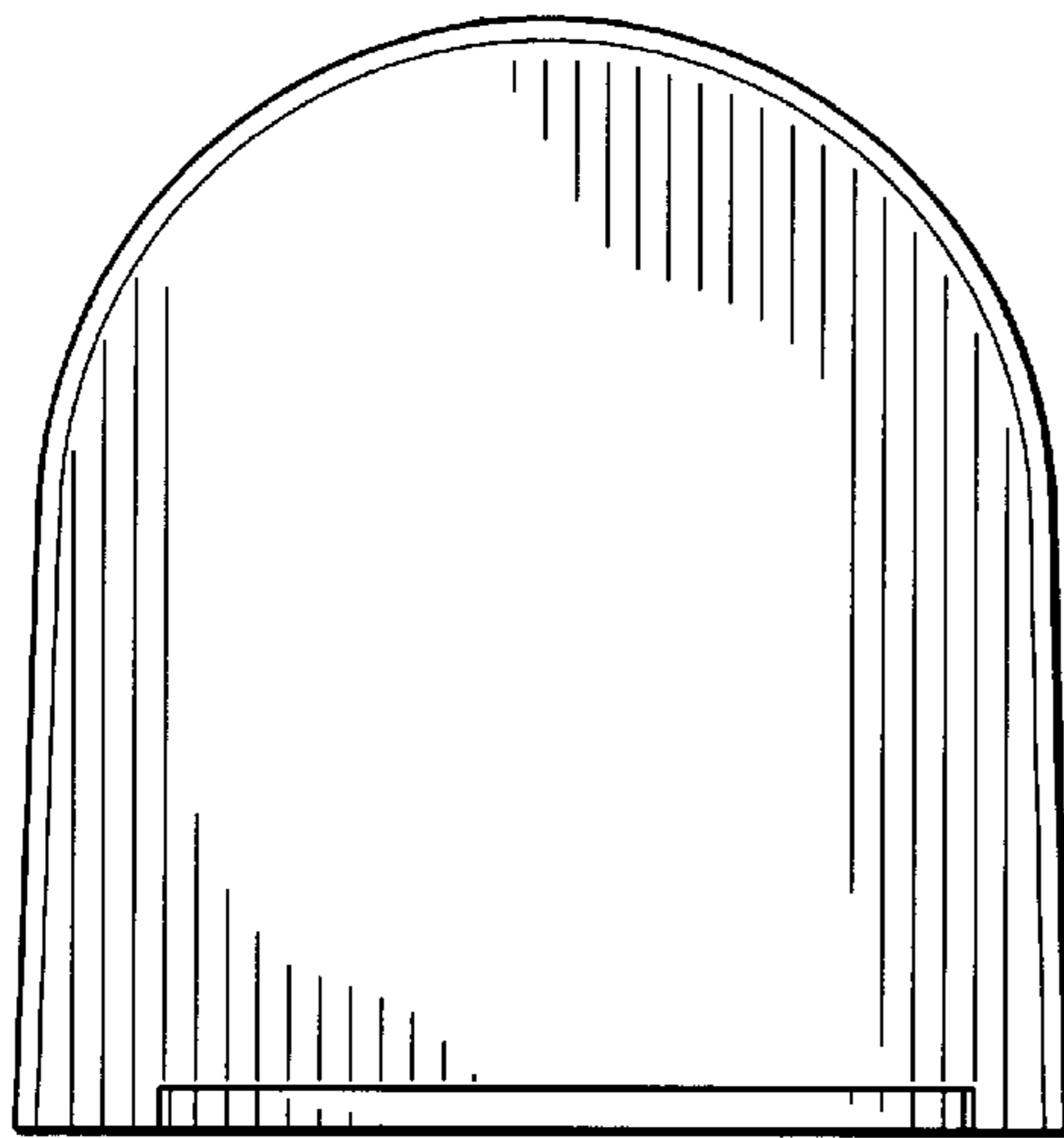


FIG. 3

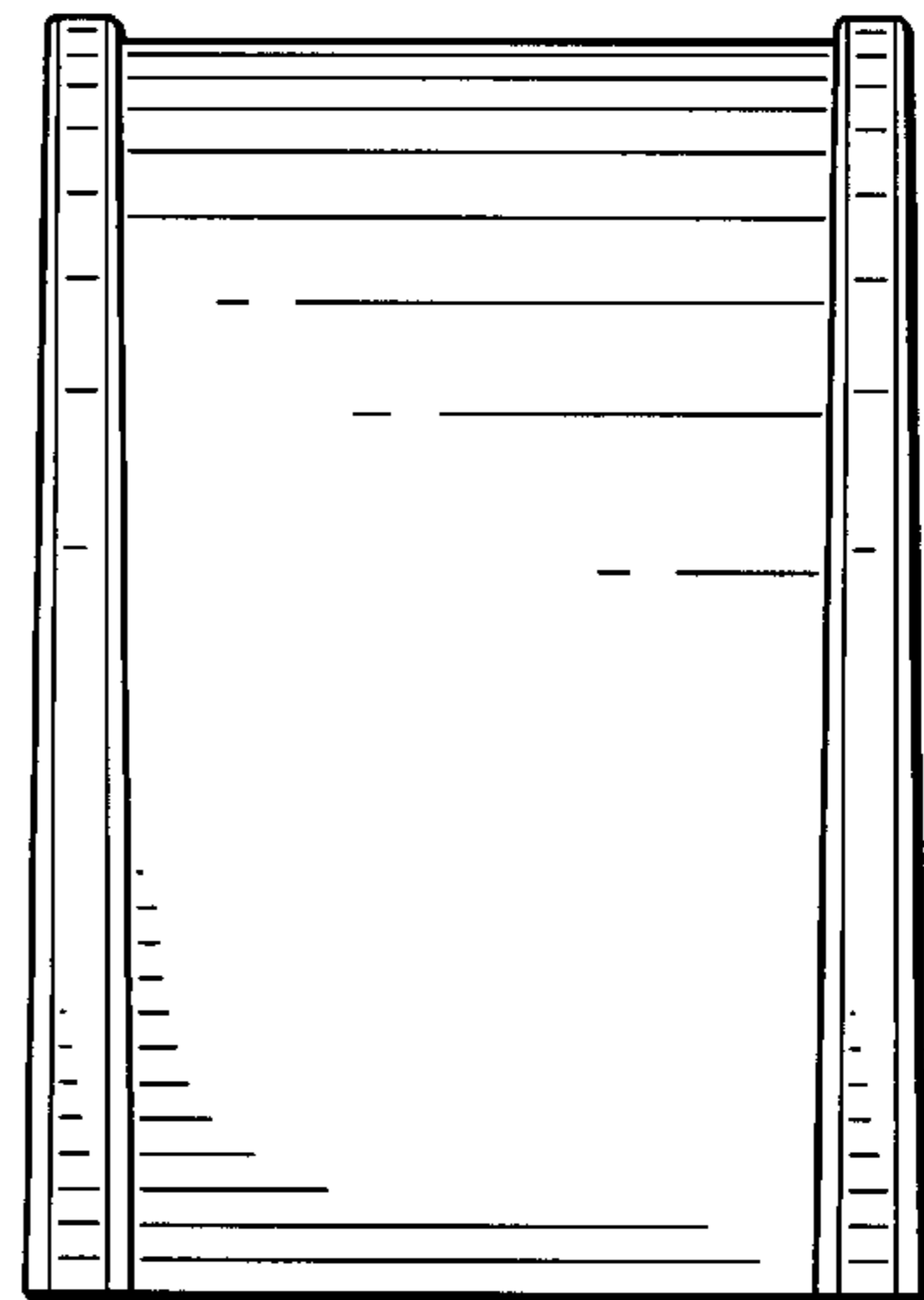


FIG. 4

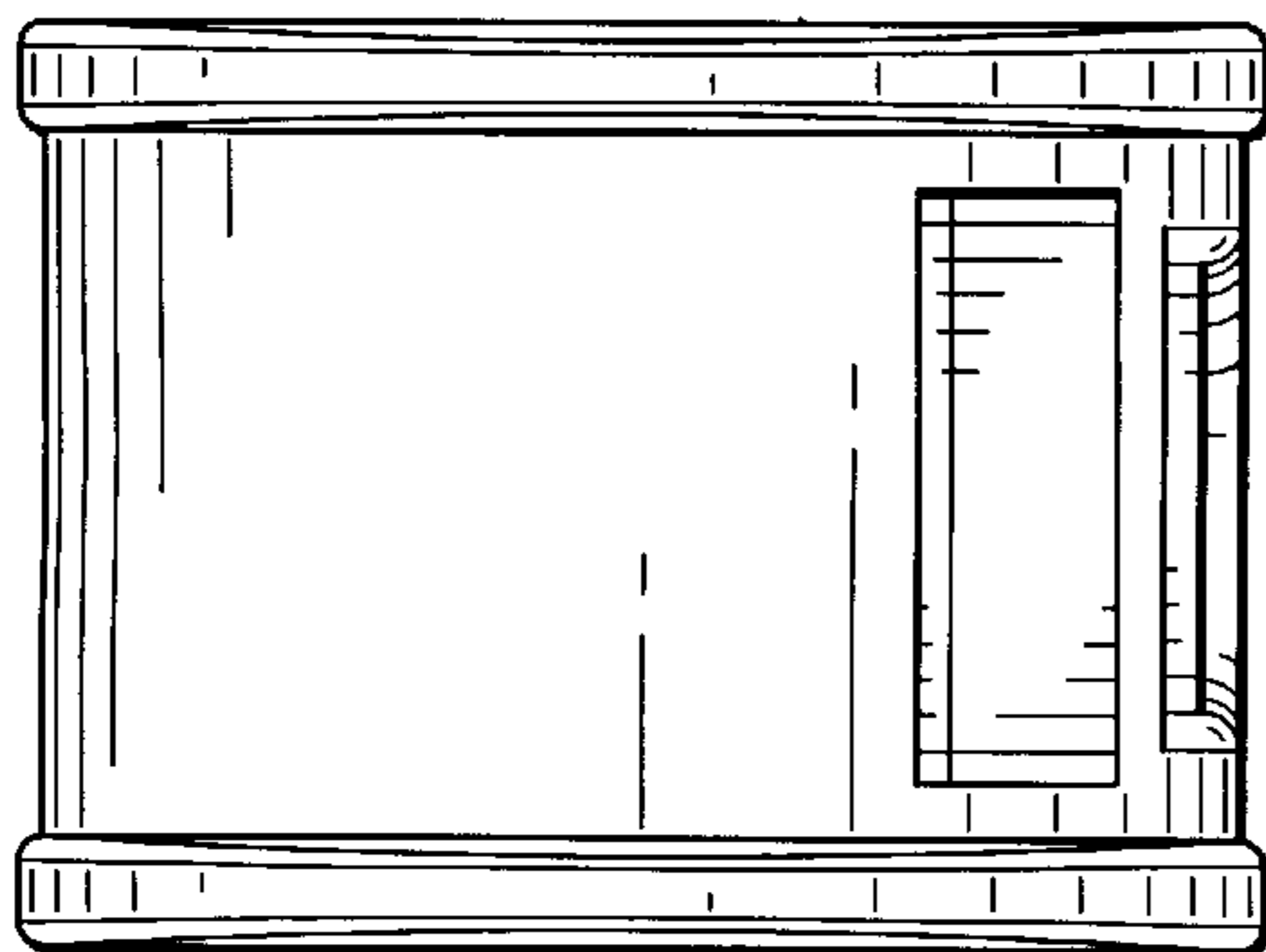


FIG. 5

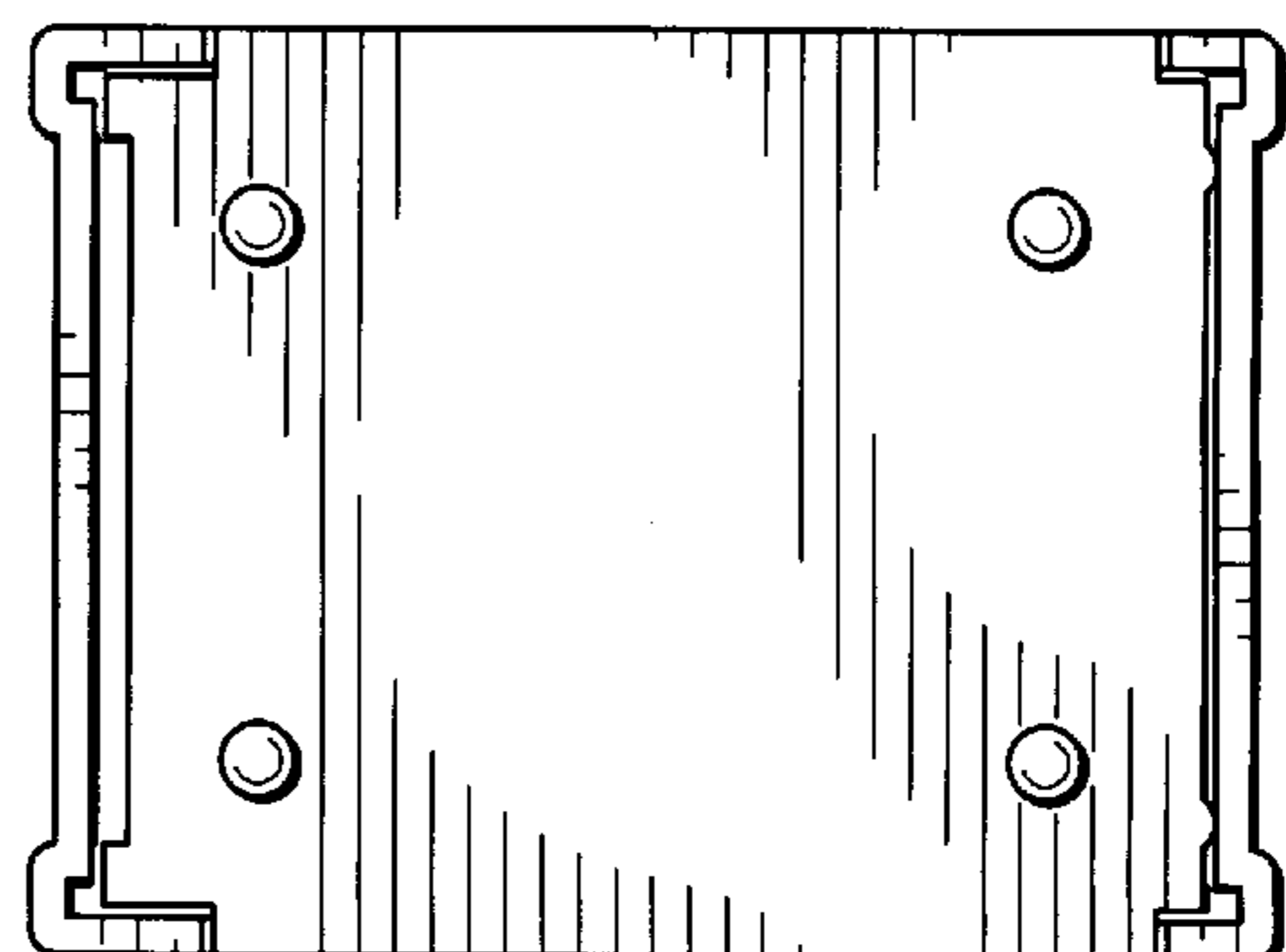


FIG. 6