



US00D442629S

(12) **United States Design Patent** (10) **Patent No.:** **US D442,629 S**  
**Webb et al.** (45) **Date of Patent:** **\*\* May 22, 2001**

(54) **CARD WITH AN ORNAMENTAL RECTANGLE**

OTHER PUBLICATIONS

(75) Inventors: **Lisa Webb**, Darien, CT (US); **William J. Faenza, Jr.**, Manassas, VA (US); **Ellen Lasch**, New York; **Judy Vigiletti**, Croton, both of NY (US)

GAP credit card (see attached) The card may be related to the art of the invention, but based upon the information on the card, it is unclear if the credit card is prior art. However, in an abundance of caution, the Applicant desires to put the credit card in the file wrapper.

(73) Assignee: **American Express Travel Related Services Company, Inc.**, New York, NY (US)

North American Mortgage Company Card (see attached) The card may be related to the art of the invention, but based upon the information on the card, it is unclear if the credit card is prior art. However, in an abundance of caution, the Applicant desires to put the credit card in the file wrapper.

(\* ) Notice: This patent is subject to a terminal disclaimer.

*Primary Examiner*—Martie K. Holtje  
(74) *Attorney, Agent, or Firm*—Snell & Wilmer L.L.P.

(\*\*) Term: **14 Years**

(57) **CLAIM**

(21) Appl. No.: **29/110,201**

The ornamental design for a card with an ornamental rectangle, as shown and described.

(22) Filed: **Sep. 1, 1999**

(51) **LOC (7) Cl.** ..... **19-08**

**DESCRIPTION**

(52) **U.S. Cl.** ..... **D19/10; D19/9**

(58) **Field of Search** ..... D14/435, 436, D14/437, 438, 479; D19/9, 10; 235/380-382.5, 441-443, 449, 454, 457, 469, 487-494; 283/72, 74, 75, 77, 78, 82-93, 107-114, 904

FIG. 1 is a perspective view of a card with an ornamental rectangle showing my new design;

FIG. 2 is a front view of the card with an ornamental rectangle of FIG. 1;

FIG. 3 is a rear view of the card with an ornamental rectangle of FIG. 1;

FIG. 4 is a right side elevational view thereof;

FIG. 5 is a left side elevational view thereof;

FIG. 6 is a front elevational view thereof; and,

FIG. 7 is a rear elevational view thereof.

The numerals and indicia depicted by means of broken lines in the drawing are shown for illustrative purposes only and form no part of the claimed design.

(56) **References Cited**

**U.S. PATENT DOCUMENTS**

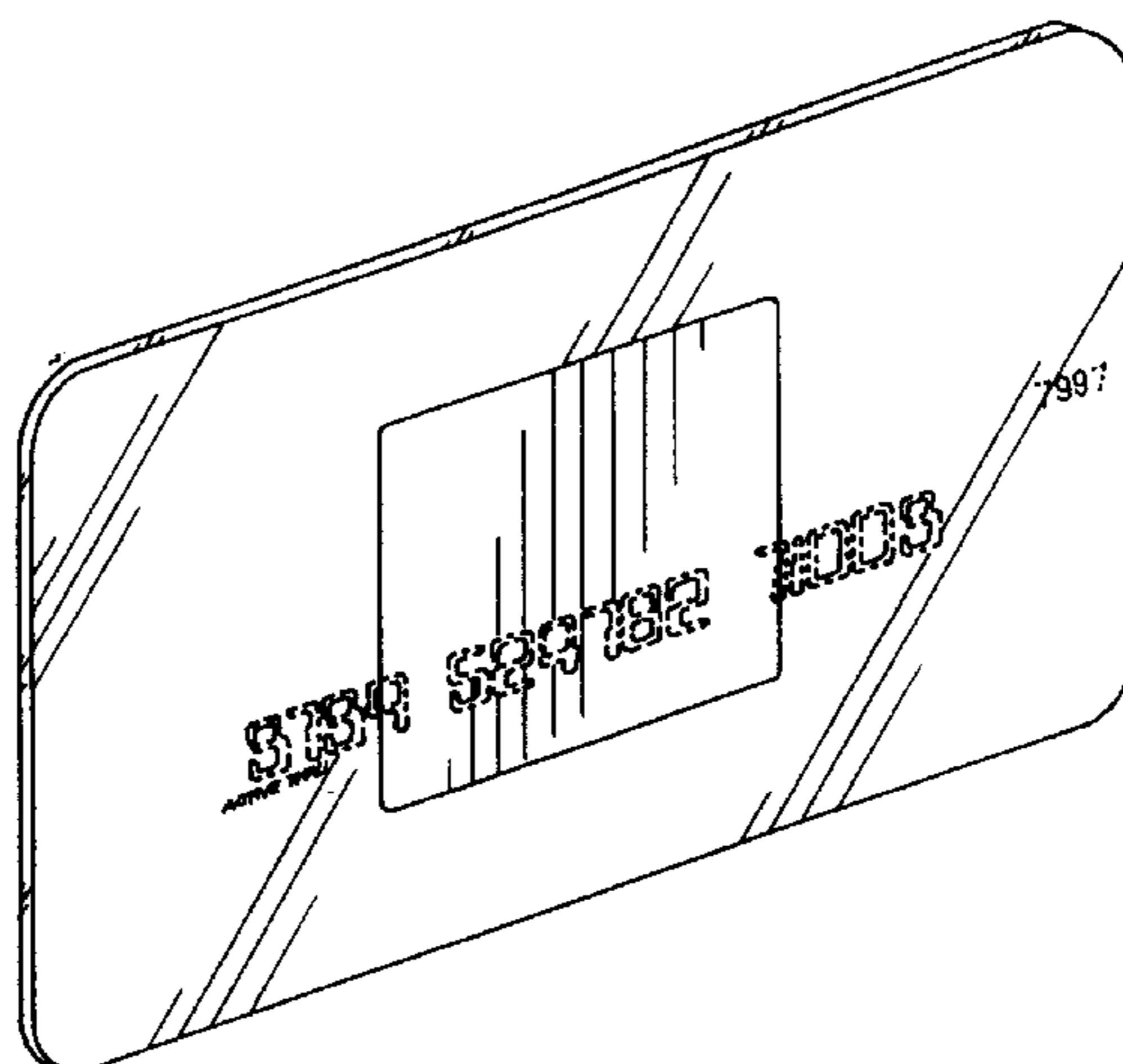
- D. 61,466 9/1922 Foltz .
- D. 270,546 9/1983 Malmberg .
- D. 280,214 8/1985 Opel .
- D. 290,136 \* 6/1987 Ball et al. .... D19/9

(List continued on next page.)

**FOREIGN PATENT DOCUMENTS**

- 0 403 134 A3 1/1992 (EP) .
- WO 89/03760 5/1989 (WO) .

**1 Claim, 1 Drawing Sheet**



# US D442,629 S

Page 2

U.S. PATENT DOCUMENTS					
			4,889,366	12/1989	Fabbiani .
			5,106,125	4/1992	Antes .
			5,142,383	8/1992	Mallik .
D. 310,386	9/1990	Michels et al. .	5,246,375 *	9/1993	Goede ..... 283/904 X
D. 358,419 *	5/1995	Runyan ..... D19/10	5,251,937	10/1993	Ojster .
D. 384,971	10/1997	Kawan .	5,351,142	9/1994	Cueli .
D. 406,861 *	3/1999	Leedy, Jr. .... D19/10	5,355,411	10/1994	MacDonald .
D. 408,054	4/1999	Leedy, Jr. .	5,383,687	1/1995	Suess et al. .
3,069,793 *	12/1962	Francescon ..... 283/110 X	5,516,153	5/1996	Kaule .
3,838,252	9/1974	Hynes et al. .	5,608,203	3/1997	Finkelstein et al. .
3,894,756	7/1975	Ward .	5,613,712 *	3/1997	Jeffers ..... 283/78
4,058,839	11/1977	Darjany .	5,697,649	12/1997	Dames et al. .
4,223,918 *	9/1980	Smoczynski ..... 283/83	5,700,037	12/1997	Keller .
4,547,002	10/1985	Colgate, Jr. .	5,720,500	2/1998	Okazaki et al. .
4,563,024	1/1986	Blyth .	5,789,733	8/1998	Jachimowicz et al. .
4,593,936	6/1986	Opel .	5,808,758	9/1998	Solmsdorf .
4,597,814	7/1986	Colgate, Jr. .	5,857,709	1/1999	Chock .
4,641,017	2/1987	Lopata .	5,900,954	5/1999	Katz et al. .
4,684,795	8/1987	Colgate, Jr. .	5,944,356 *	8/1999	Bergmann et al. .... 283/86
4,705,299 *	11/1987	Hedgcoth et al. .... 283/68			
4,711,690	12/1987	Haghiri-Tehrani .			
4,779,898	10/1988	Berning et al. .			
4,852,911	8/1989	Hoppe .			

\* cited by examiner

FIG. 1

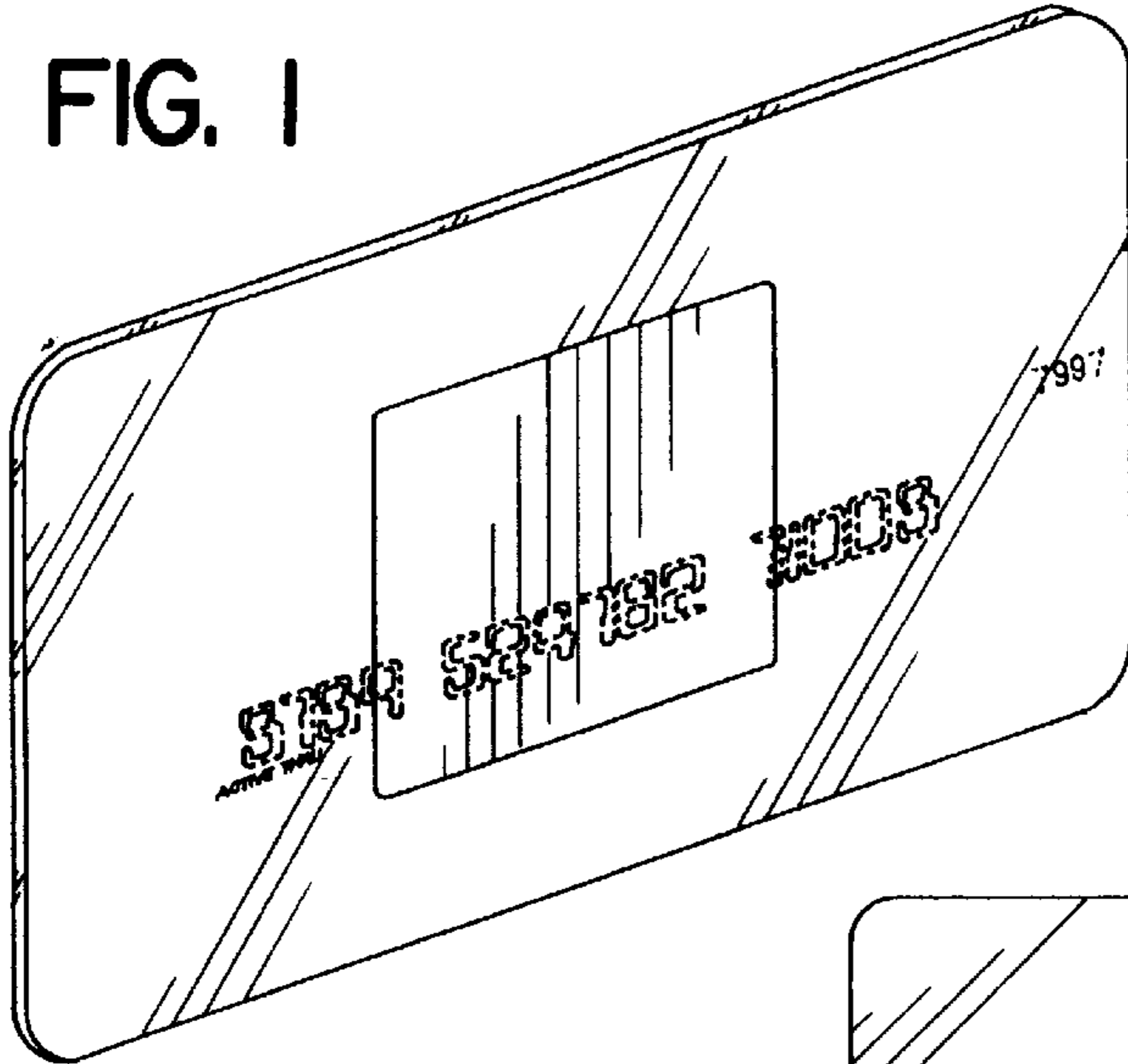


FIG. 2

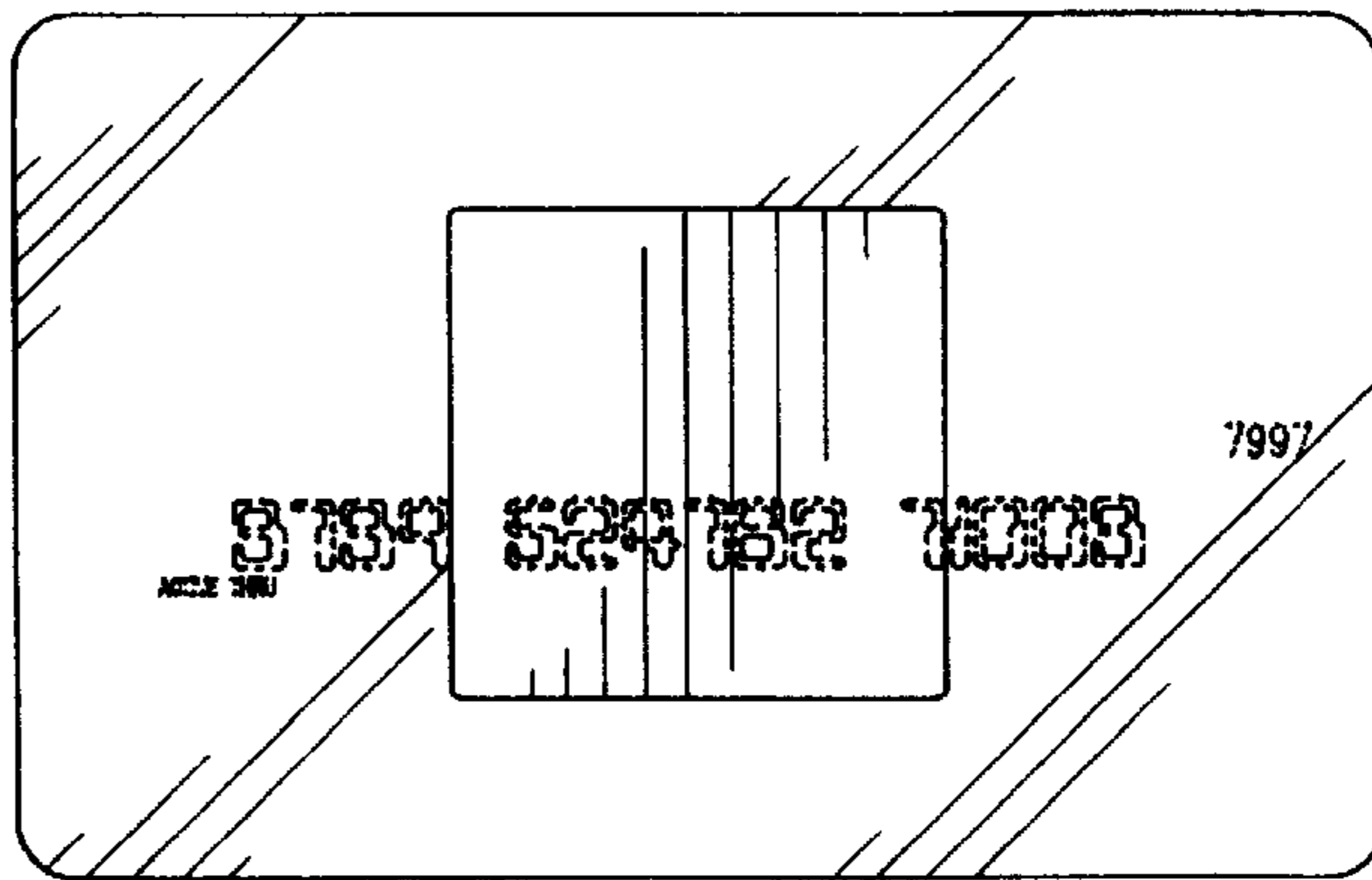


FIG. 3

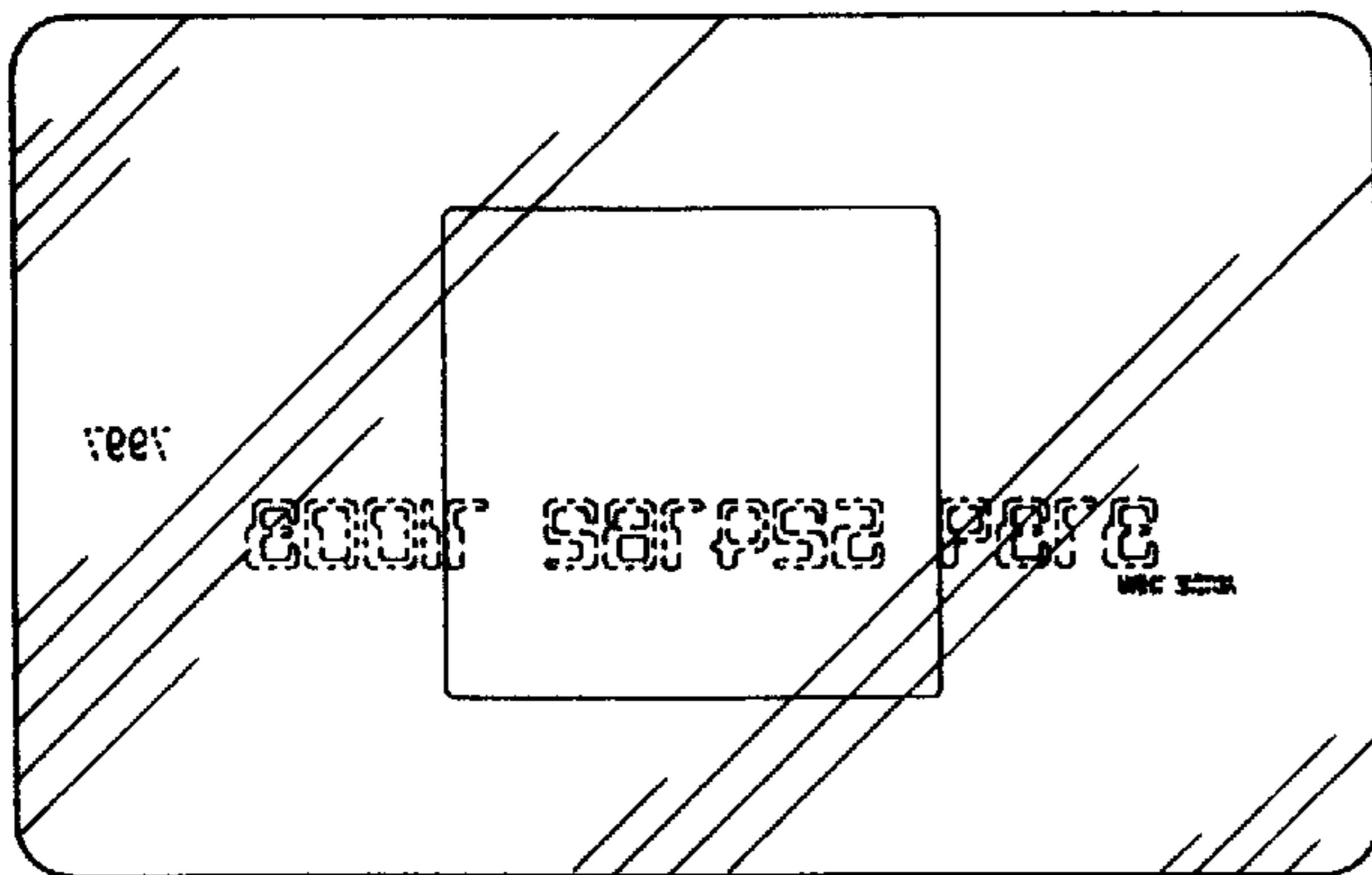


FIG. 4

FIG. 5



FIG. 6



FIG. 7