



US00D442628S

(12) **United States Design Patent** (10) **Patent No.:** **US D442,628 S**
Webb et al. (45) **Date of Patent:** **** May 22, 2001**

(54) **CARD WITH AN ORNAMENTAL RECTANGLE AND EXHIBITING AN OPACITY GRADIENT**

(75) Inventors: **Lisa Webb**, Darien, CT (US); **William J. Faenza, Jr.**, Manassas, VA (US); **Ellen Lasch**, NY; **Judy Vigiletti**, Croton, both of NY (US)

(73) Assignee: **American Express Travel Related Services Company, Inc.**, New York, NY (US)

(**) Term: **14 Years**

(21) Appl. No.: **29/110,196**

(22) Filed: **Sep. 1, 1999**

(51) **LOC (7) Cl.** **19-08**

(52) **U.S. Cl.** **D19/10; D19/9**

(58) **Field of Search** D14/435, 436, D14/437, 438, 479; D19/9, 10; 235/380-382.5, 441-443, 449, 454, 457, 469, 487-494; 283/72, 74, 75, 77, 78, 82-93, 107-114, 904

(56) **References Cited**

U.S. PATENT DOCUMENTS

- D. 61,466 9/1922 Foltz .
- D. 270,546 9/1983 Malmberg .
- D. 280,214 8/1985 Opel .

(List continued on next page.)

FOREIGN PATENT DOCUMENTS

- 0 403 134 A3 1/1992 (EP) .
- WO 89/03760 5/1989 (WO) .

OTHER PUBLICATIONS

GAP credit card (see attached) The card may be related to the art of the invention, but based upon the information on the card, it is unclear if the credit card is prior art. However, in an abundance of caution, the Applicant desires to put the credit card in the file wrapper.

North American Mortgage Company Card (see attached) The card may be related to the art of the invention, but based upon the information on the card, it is unclear if the credit card is prior art. However, in an abundance of caution, the Applicant desires to put the credit card in the file wrapper. 1983 Letraset Reference Manual, see various circled gradient dot patterns, p. 248.*

Primary Examiner—Martie K. Holtje

(74) *Attorney, Agent, or Firm*—Snell & Wilmer L.L.P.

(57) **CLAIM**

The ornamental design for the card with an ornamental rectangle and exhibiting an opacity gradient, as shown.

DESCRIPTION

FIG. 1 is a perspective view of a card with an ornamental rectangle and exhibiting an opacity gradient, showing my new design;

FIG. 2 is a front view of the card with an ornamental rectangle and exhibiting an opacity gradient of FIG. 1;

FIG. 3 is a rear view of the card with an ornamental rectangle and exhibiting an opacity gradient of FIG. 1;

FIG. 4 is a right side elevational view thereof;

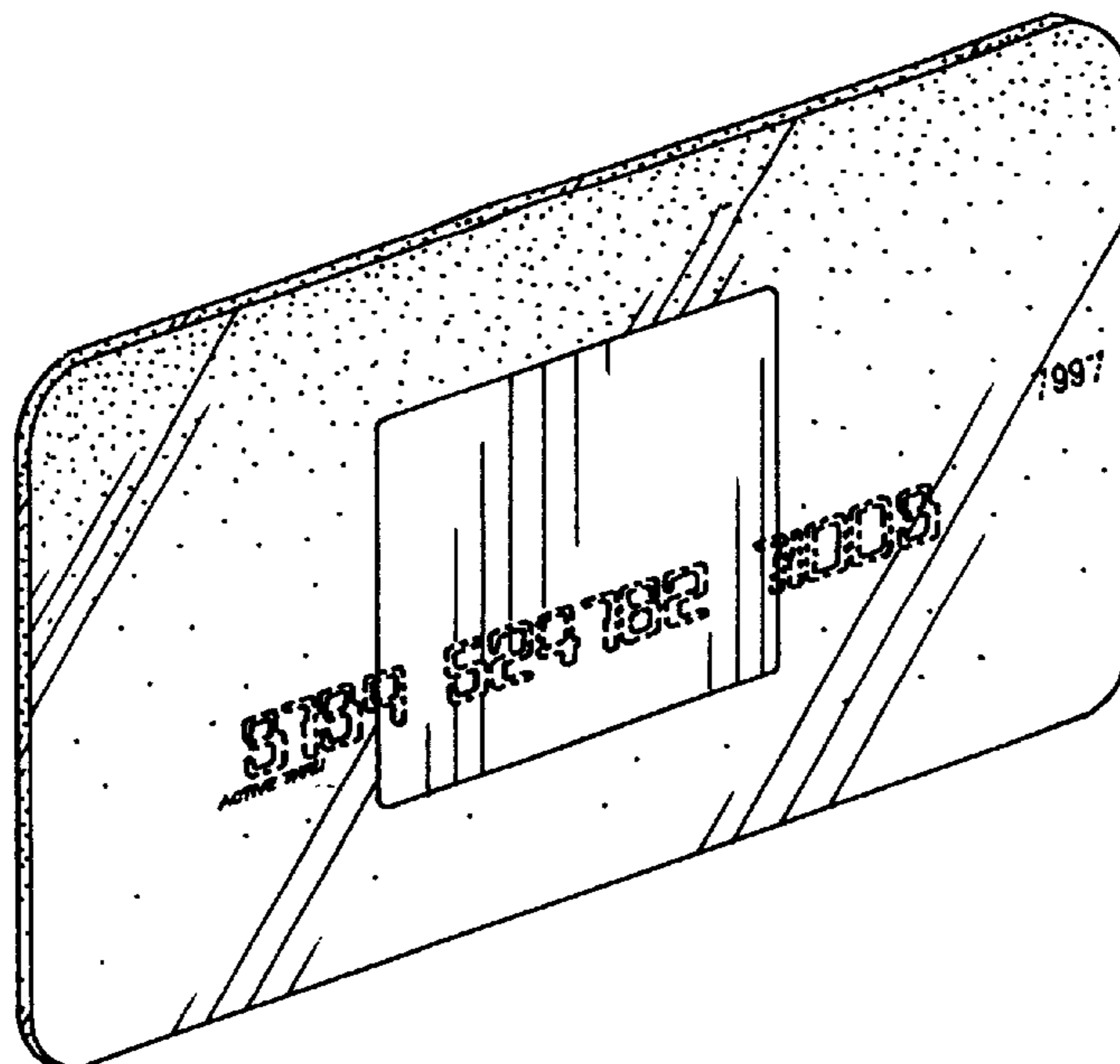
FIG. 5 is a left side elevational view thereof;

FIG. 6 is a front elevational view thereof; and,

FIG. 7 is a rear elevational view thereof.

The numerals and indicia depicted by means of broken lines in the drawing figures have been shown for illustrative purposes only and form no part of the claimed design.

1 Claim, 1 Drawing Sheet



US D442,628 S

Page 2

U.S. PATENT DOCUMENTS								
D. 290,136	*	6/1987	Ball et al.	D19/9	4,852,911	8/1989	Hoppe .	
D. 310,386		9/1990	Michels et al. .		4,889,366	12/1989	Fabbiani .	
D. 358,419	*	5/1995	Runyan	D19/10	5,106,125	4/1992	Antes .	
D. 384,971		10/1997	Kawan .		5,142,383	8/1992	Mallik .	
D. 406,861	*	3/1999	Leedy, Jr.	D19/10	5,246,375	* 9/1993	Goede	283/904 X
D. 408,054		4/1999	Leedy, Jr. .		5,251,937	10/1993	Ojster .	
3,069,793	*	12/1962	Francescon	283/110 X	5,351,142	9/1994	Cueli .	
3,838,252		9/1974	Hynes et al. .		5,355,411	10/1994	MacDonald .	
3,894,756		7/1975	Ward .		5,383,687	1/1995	Suess et al. .	
4,058,839		11/1977	Darjany .		5,516,153	5/1996	Kaule .	
4,223,918	*	9/1980	Smoczynski	283/83	5,608,203	3/1997	Finkelstein et al. .	
4,547,002		10/1985	Colgate, Jr. .		5,613,712	* 3/1997	Jeffers	283/78
4,563,024		1/1986	Blyth .		5,697,649	12/1997	Dames et al. .	
4,593,936		6/1986	Opel .		5,700,037	12/1997	Keller .	
4,597,814		7/1986	Colgate, Jr. .		5,720,500	2/1998	Okazaki et al. .	
4,641,017		2/1987	Lopata .		5,789,733	8/1998	Jachimowicz et al. .	
4,684,795		8/1987	Colgate, Jr. .		5,808,758	9/1998	Solmsdorf .	
4,705,299	*	11/1987	Hedgcoth et al.	283/68	5,857,709	1/1999	Chock .	
4,711,690		12/1987	Haghiri-Tehrani .		5,900,954	5/1999	Katz et al. .	
4,779,898		10/1988	Berning et al. .		5,944,356	* 8/1999	Bergmann et al.	283/86

* cited by examiner

FIG. 1

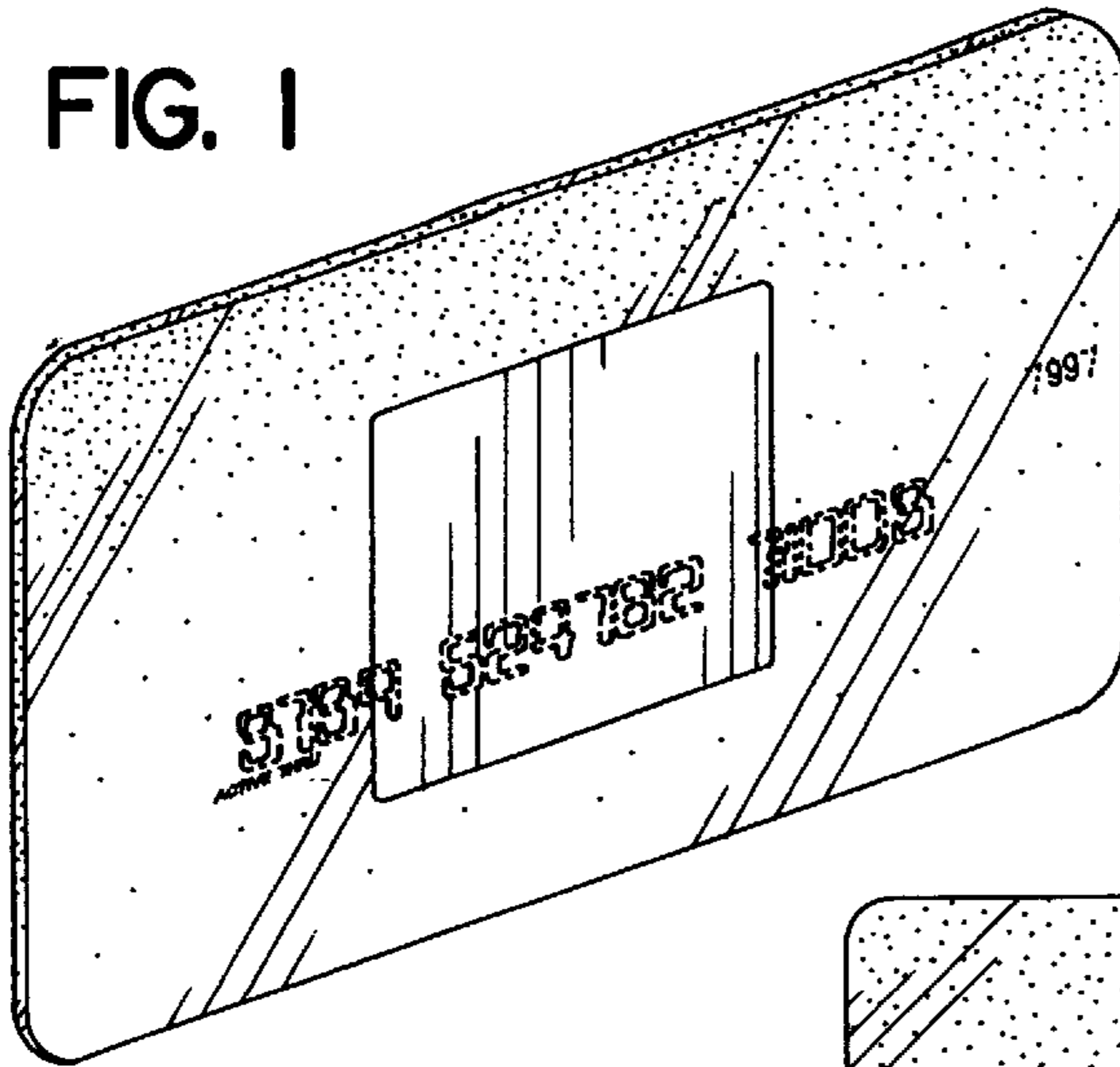


FIG. 2

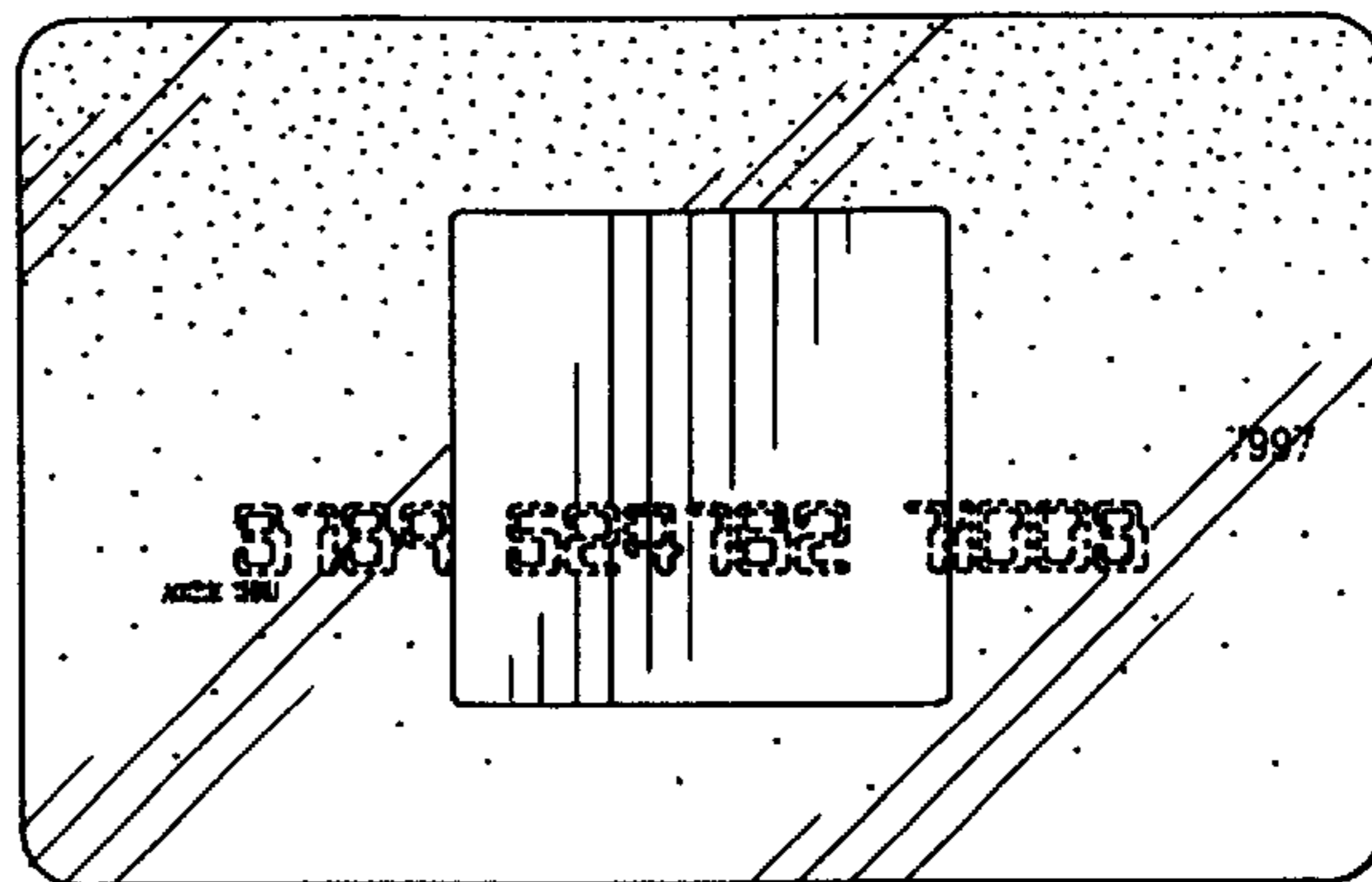


FIG. 3

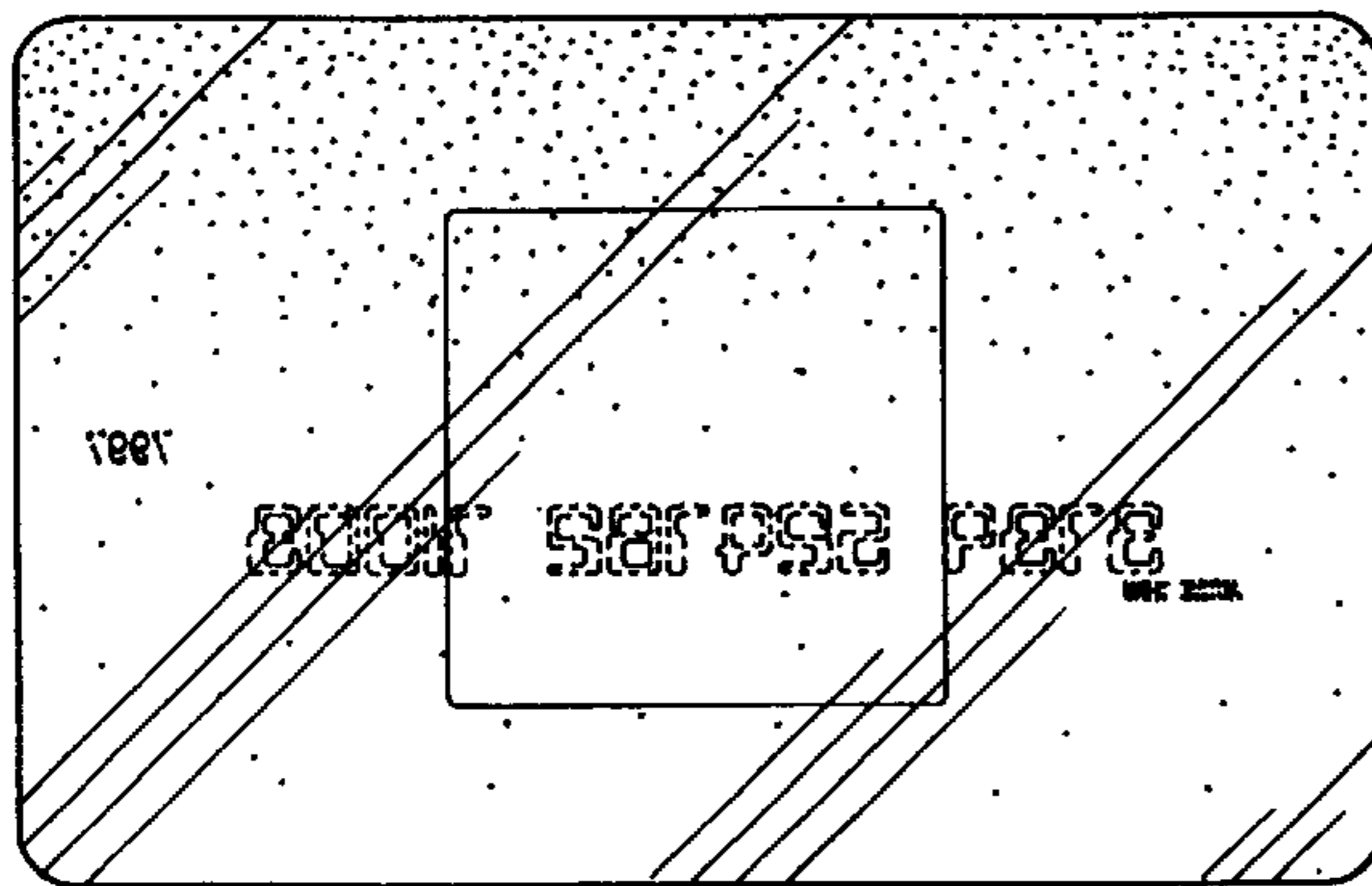


FIG. 4

FIG. 5

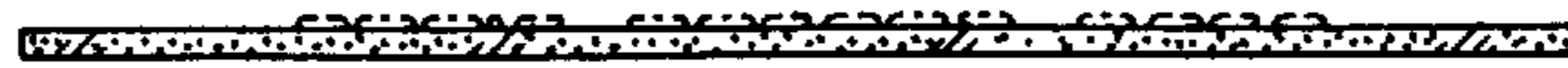


FIG. 6



FIG. 7