



US00D442627S

(12) **United States Design Patent**
Webb et al.

(10) **Patent No.: US D442,627 S**

(45) **Date of Patent: ** May 22, 2001**

(54) **TRANSPARENT CARD WITH AN OPACITY GRADIENT ORNAMENTAL RECTANGLE, MACHINE READABLE STRIPE AND IC CHIP**

(75) Inventors: **Lisa Webb**, Darien, CT (US); **William J. Faenza, Jr.**, Manassas, VA (US); **Ellen Lasch**, New York; **Judy Vigiletti**, Croton, both of NY (US)

(73) Assignee: **American Express Travel Related Services Company, Inc.**, New York, NY (US)

(**) Term: **14 Years**

(21) Appl. No.: **29/110,193**

(22) Filed: **Sep. 1, 1999**

(51) **LOC (7) Cl. 19-08**

(52) **U.S. Cl. D19/10; D19/9; D14/437**

(58) **Field of Search D14/435, 436, D14/437, 438, 479; D19/9, 10; 235/380-382.5, 441-443, 449, 454, 457, 469, 487-494; 283/72, 74, 75, 77, 78, 82-93, 107-114, 904**

(56) **References Cited**

U.S. PATENT DOCUMENTS

- D. 61,466 9/1922 Foltz .
- D. 270,546 9/1983 Malmberg .
- D. 280,214 8/1985 Opel .
- D. 290,136 * 6/1987 Ball et al. D19/9
- D. 310,386 9/1990 Michels et al. .

(List continued on next page.)

FOREIGN PATENT DOCUMENTS

- 0 403 134 A3 1/1992 (EP) .
- WO 89/03760 5/1989 (WO) .

OTHER PUBLICATIONS

GAP credit card (see attached) The card may be related to the art of the invention, but based upon the information on the card, it is unclear if the credit card is prior art. However, in an abundance of caution, the Applicant desires to put the credit card in the file wrapper.

North American Mortgage Company Card (see attached) The card may be related to the art of the invention, but based upon the information on the card, it is unclear if the credit card is prior art. However, in an abundance of caution, the Applicant desires to put the credit card in the file wrapper.

1983 Letraset Reference Manual, see various circled dot pattern gradients, p. 248.*

Primary Examiner—Martie K. Holtje

(74) *Attorney, Agent, or Firm*—Snell & Wilmer L.L.P.

(57) **CLAIM**

The ornamental design for a transparent card with an opacity gradient ornamental rectangle, machine readable stripe and IC chip, as shown.

DESCRIPTION

FIG. 1 is a perspective view of a transparent card with an opacity gradient, ornamental rectangle, machine readable stripe and IC chip, showing my new design;

FIG. 2 is a front view of the transparent card of FIG. 1;

FIG. 3 is a rear view of the transparent card of FIG. 1;

FIG. 4 is a right side elevational view thereof;

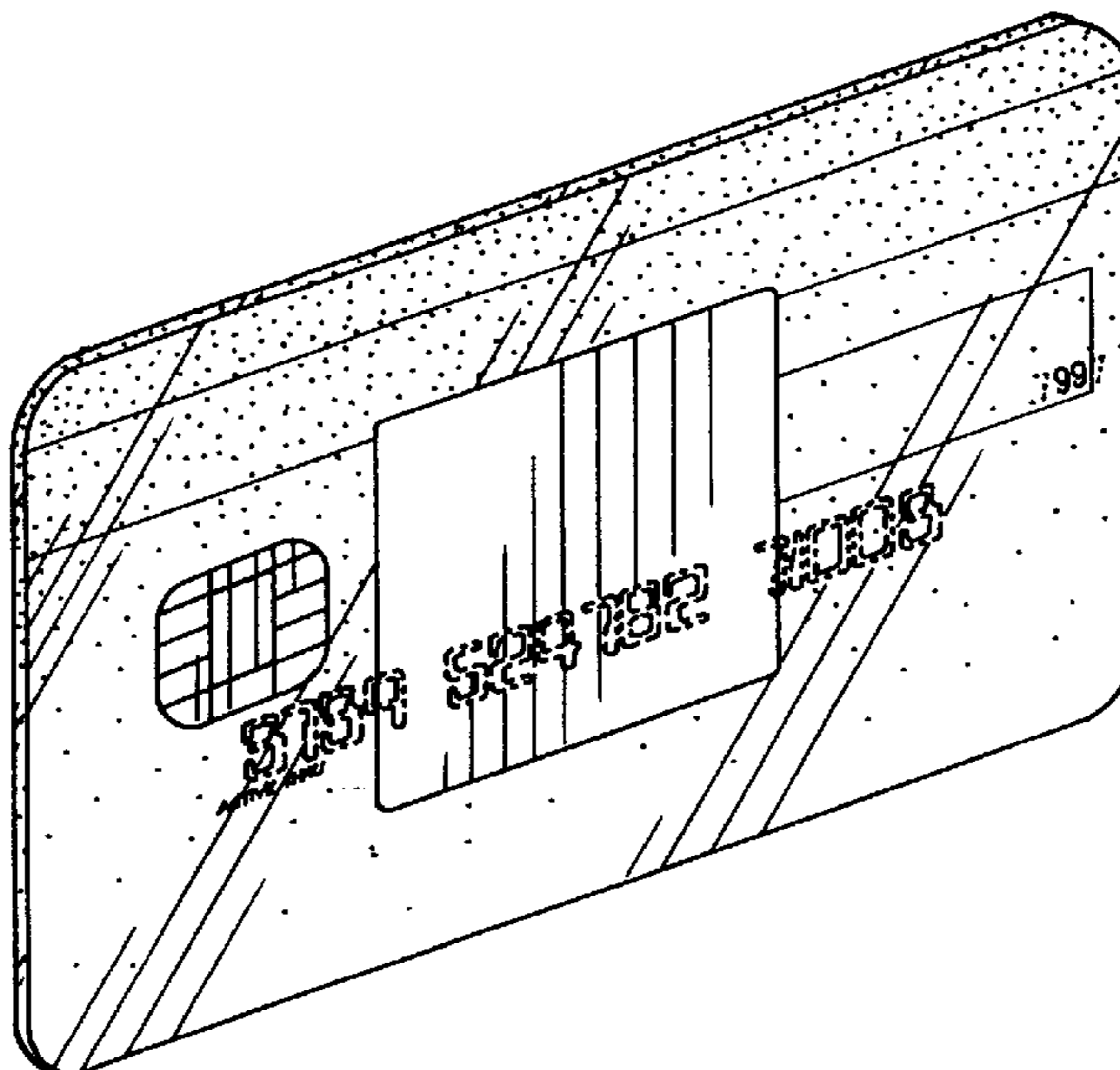
FIG. 5 is a left side elevational view thereof;

FIG. 6 is a front elevational view thereof; and,

FIG. 7 is a rear elevational view thereof.

The numerals and indicia depicted by means of broken lines in the drawing figures have been shown for illustrative purposes only and form no part of the claimed design.

1 Claim, 1 Drawing Sheet



US D442,627 S

Page 2

U.S. PATENT DOCUMENTS

D. 358,419	*	5/1995	Runyan	D19/10	4,889,366	12/1989	Fabbiani .	
D. 384,971		10/1997	Kawan .			5,026,452	*	6/1991	Kodai 283/904 X
D. 387,746	*	12/1997	Ishihara	D14/114	5,106,125		4/1992	Antes .
D. 406,861	*	3/1999	Leedy, Jr.	D19/10	5,142,383		8/1992	Mallik .
D. 408,054		4/1999	Leedy, Jr. .			5,246,375	*	9/1993	Goede 283/904 X
D. 427,577	*	7/2000	Haas et al.	D14/117	5,251,937		10/1993	Ojster .
3,838,252		9/1974	Hynes et al. .			5,351,142		9/1994	Cueli .
3,894,756		7/1975	Ward .			5,355,411		10/1994	MacDonald .
4,058,839		11/1977	Darjany .			5,383,687		1/1995	Suess et al. .
4,223,918	*	9/1980	Smoczynski	283/83	5,516,153		5/1996	Kaule .
4,547,002		10/1985	Colgate, Jr. .			5,608,203		3/1997	Finkelstein et al. .
4,563,024		1/1986	Blyth .			5,697,649		12/1997	Dames et al. .
4,593,936		6/1986	Opel .			5,700,037		12/1997	Keller .
4,597,814		7/1986	Colgate, Jr. .			5,720,500		2/1998	Okazaki et al. .
4,641,017		2/1987	Lopata .			5,789,733		8/1998	Jachimowicz et al. .
4,684,795		8/1987	Colgate, Jr. .			5,808,758		9/1998	Solmsdorf .
4,705,299	*	11/1987	Hedgcoth et al.	283/68	5,857,709		1/1999	Chock .
4,711,690		12/1987	Haghiri-Tehrani .			5,900,954		5/1999	Katz et al. .
4,779,898		10/1988	Berning et al. .			6,027,028	*	2/2000	Pieterse et al. 235/492
4,852,911		8/1989	Hoppe .			6,076,731	*	6/2000	Terrell 235/454

* cited by examiner

FIG. 1

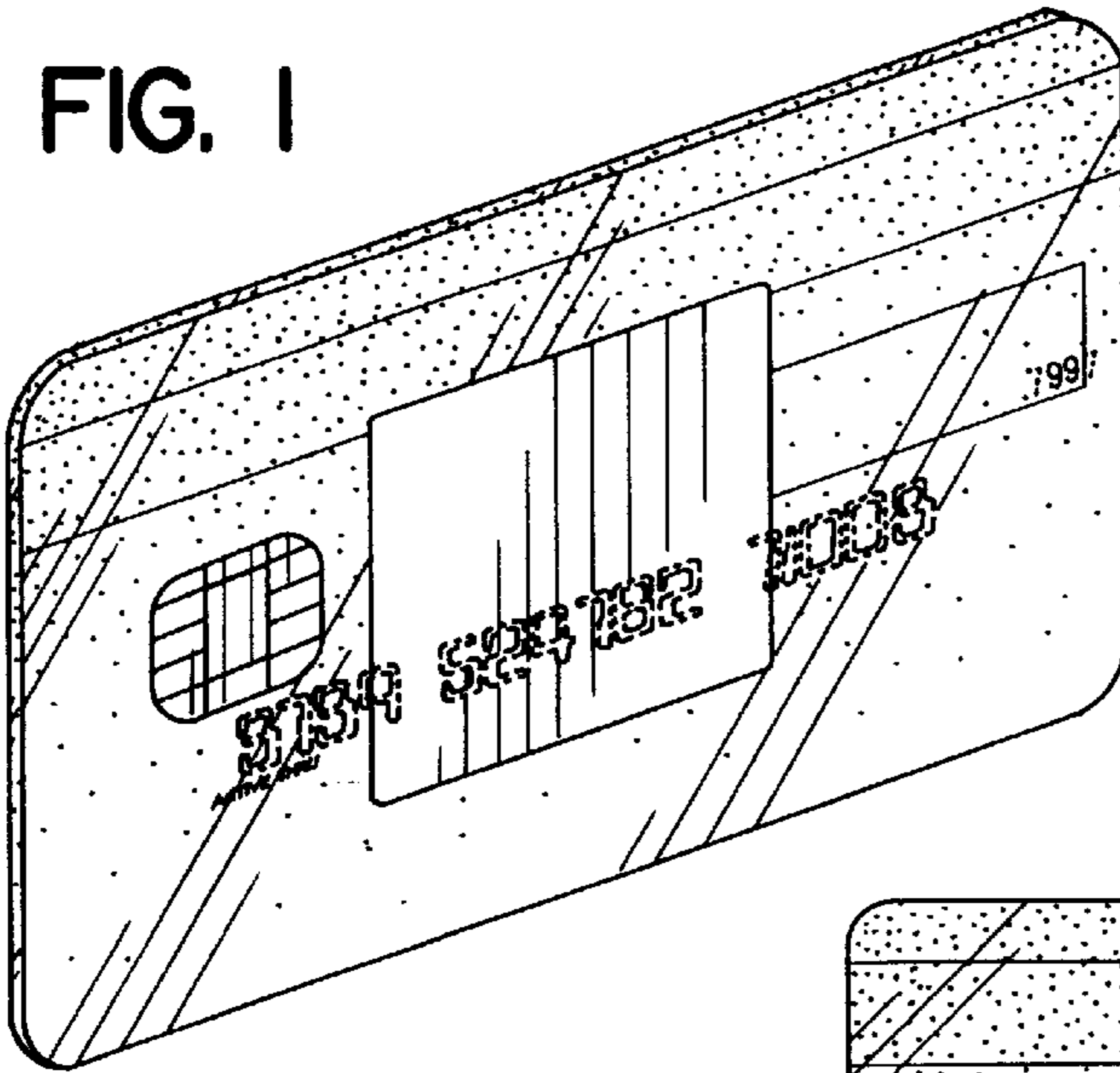


FIG. 2

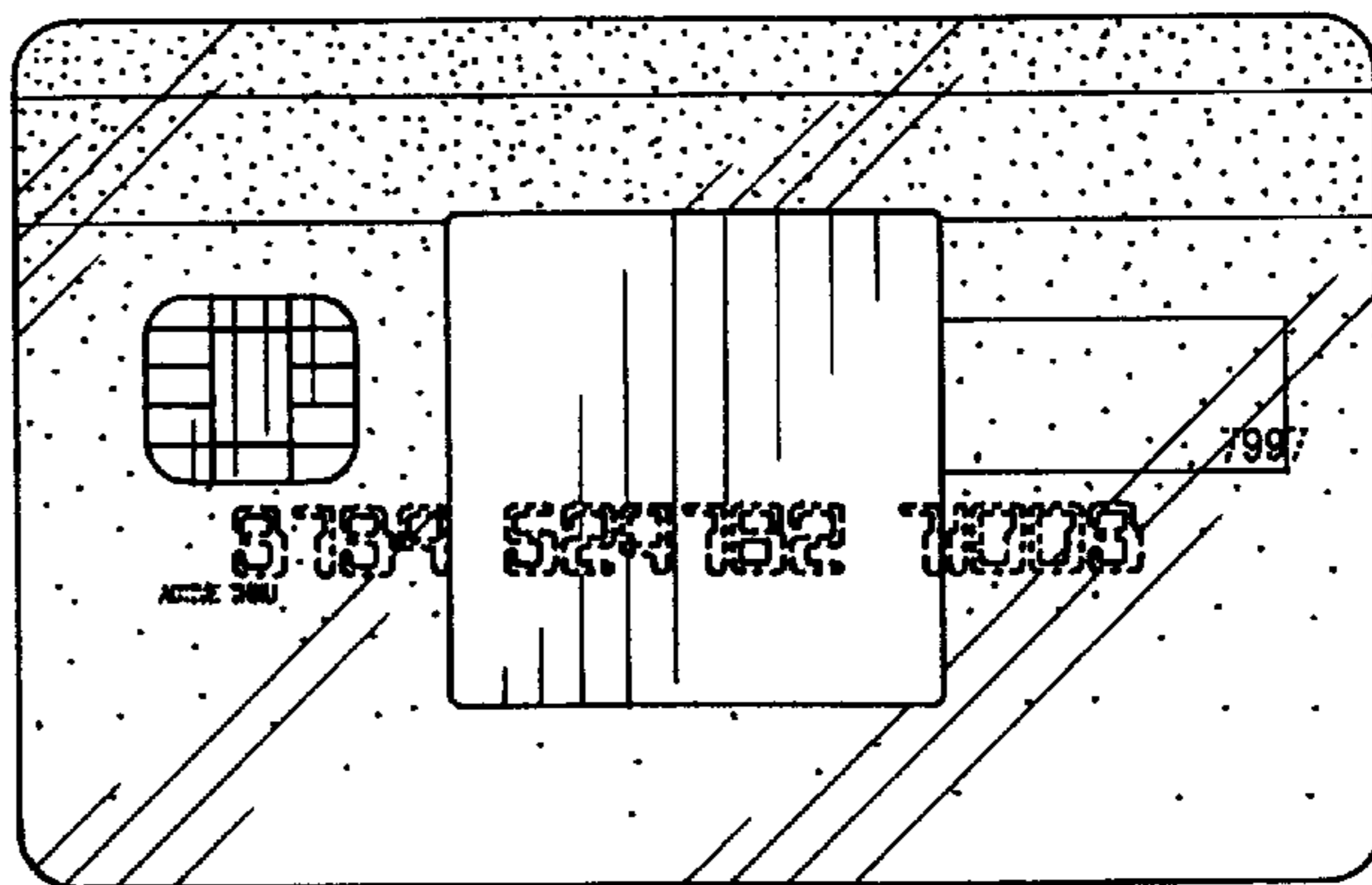


FIG. 3

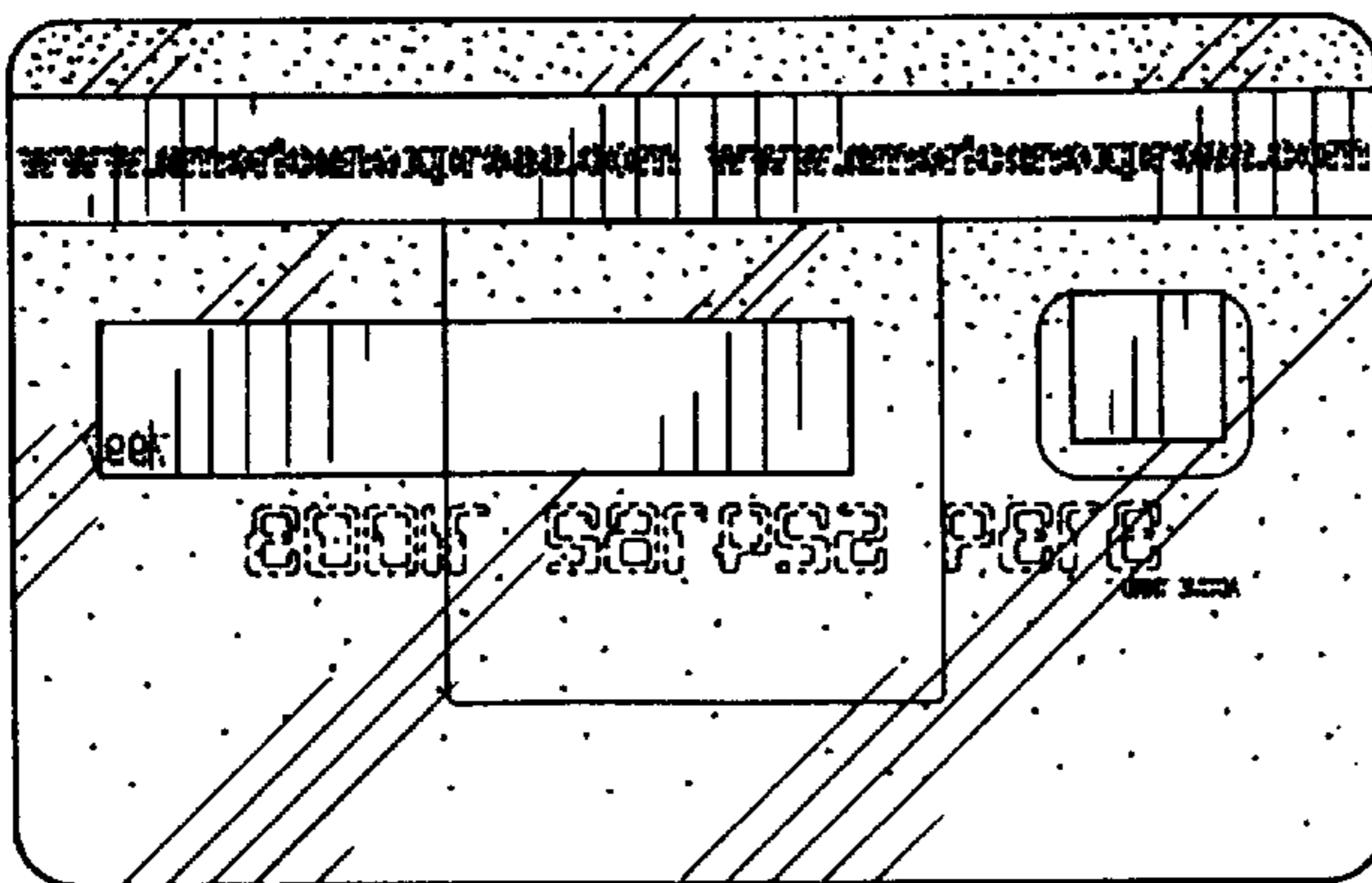


FIG. 4



FIG. 5



FIG. 6

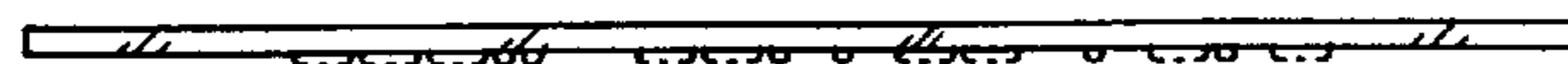


FIG. 7