



US00D442626S

(12) **United States Design Patent**
Barouh et al.

(10) **Patent No.:** **US D442,626 S**

(45) **Date of Patent:** **** May 22, 2001**

(54) **COVER FOR INK CARTRIDGE**
(75) Inventors: **Victor Barouh**, Old Westbury; **Paul C. McGarry**, Westbury, both of NY (US)
(73) Assignee: **Barouh Eaton Allen Corp.**, Brooklyn, NY (US)
(**) Term: **14 Years**

(21) Appl. No.: **29/126,242**
(22) Filed: **Jul. 7, 2000**

(51) **LOC (7) Cl.** **18-02**
(52) **U.S. Cl.** **D18/56; 347/86**
(58) **Field of Search** **D18/56; 347/86, 347/87**

(56) **References Cited**

U.S. PATENT DOCUMENTS

D. 330,387	10/1992	Kawakami .	
D. 351,190	10/1994	Oshima et al. .	
D. 372,494	* 8/1996	Tokuda et al.	D18/56
D. 409,236	5/1999	Fuji et al. .	
5,156,472	10/1992	Suzuki et al. .	
5,162,818	* 11/1992	Karita et al.	347/86
5,221,148	6/1993	Suzuki et al. .	
5,245,360	* 9/1993	Ebinuma et al.	347/86
5,421,658	6/1995	Suzuki et al. .	
5,434,607	* 7/1995	Keefe	347/87
5,467,116	* 11/1995	Nakamura et al.	347/87
5,548,314	* 8/1996	Okazawa et al.	D18/56
5,552,816	9/1996	Oda et al. .	
5,555,238	9/1996	Miyazawa .	
5,576,749	11/1996	Mochizuki et al. .	
5,612,725	* 3/1997	Okimoto	D18/56
5,661,510	* 8/1997	Brandon et al.	347/87
5,663,753	* 9/1997	Story et al.	347/86
5,712,669	* 1/1998	Swanson et al.	347/87
5,754,207	* 5/1998	Gragg et al.	347/86
5,874,974	* 2/1999	Courian et al.	347/87
5,953,030	9/1999	Ishinaga et al. .	
5,971,532	10/1999	Toda .	
5,984,460	* 11/1999	Takagi et al.	347/86
6,017,118	* 1/2000	Gasvoda et al.	347/86

6,027,208	* 2/2000	Amano	347/86
6,050,667	* 4/2000	Yamada	347/86
6,070,975	* 6/2000	Uchikata et al.	347/86
6,099,114	8/2000	Sasaki .	
6,113,230	9/2000	Ishinaga et al. .	
6,168,262	* 1/2001	Clark et al.	347/86

FOREIGN PATENT DOCUMENTS

2 300 834 11/1996 (GB) .

* cited by examiner

Primary Examiner—Cathy Anne MacCormac
(74) *Attorney, Agent, or Firm*—Dinesh Agarwal, P.C.

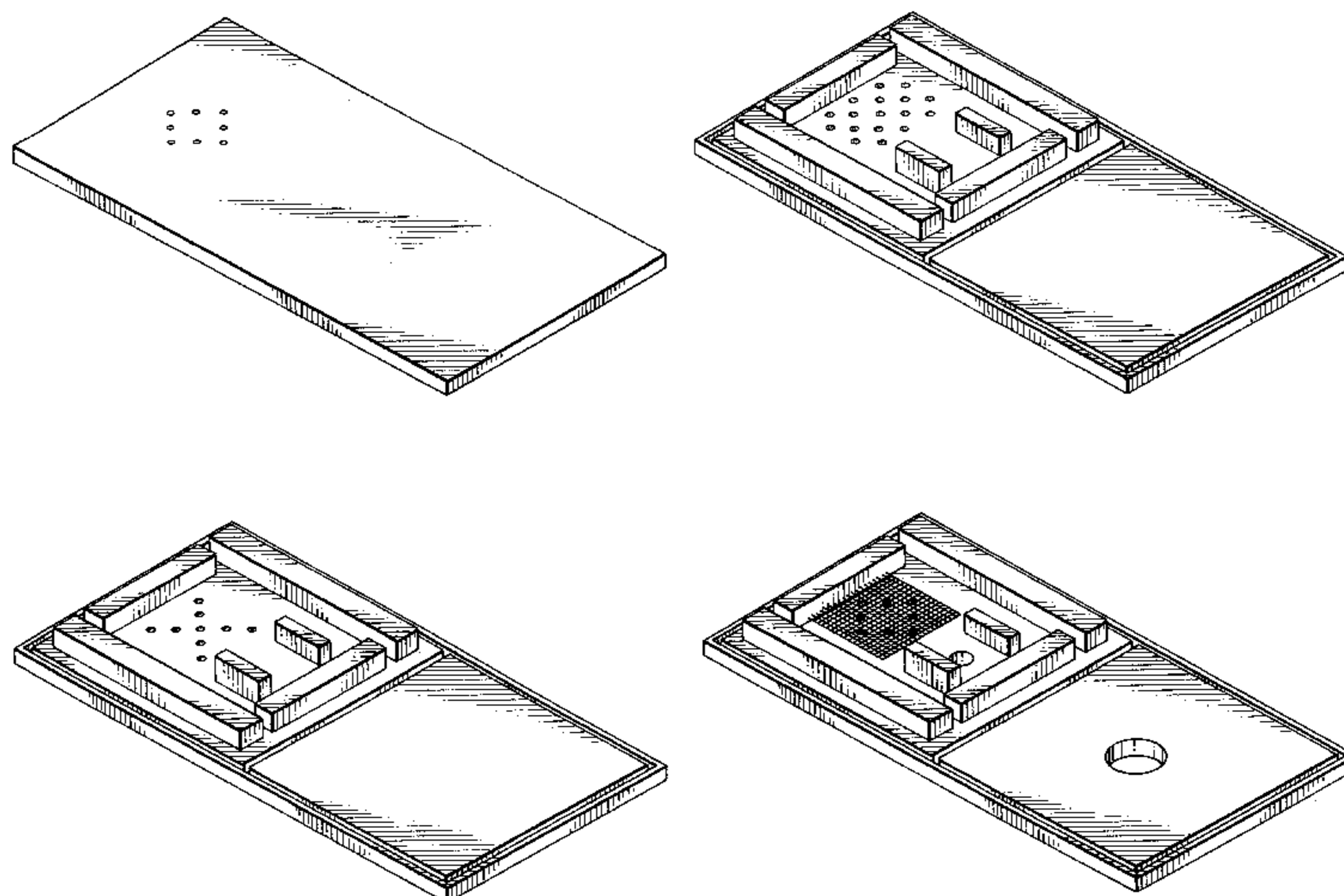
(57) **CLAIM**

The ornamental design for a cover for ink cartridge, as shown and described.

DESCRIPTION

FIG. 1 is a top perspective view of a cover for ink cartridge of the present invention;
 FIG. 2 is a bottom perspective view thereof;
 FIG. 3 is a front elevational view thereof, the rear view being a mirror image;
 FIG. 4 is a left side view thereof, the right side being identical;
 FIG. 5 is a top perspective view of a second embodiment of FIG. 1;
 FIG. 6 is a bottom perspective view of FIG. 5, the left, right, front and rear views are the same as those in the first embodiment, FIGS. 1-4;
 FIG. 7 is a top perspective view of a third embodiment of FIG. 1;
 FIG. 8 is a bottom perspective view of FIG. 7, the left, right, front and rear views are the same as those in the first embodiment, FIGS. 1-4;
 FIG. 9 is a top perspective view of a fourth embodiment of FIG. 1; and,
 FIG. 10 is a bottom perspective view of FIG. 9, the left, right, front and rear views are the same as those in the first embodiment, FIGS. 1-4.

1 Claim, 5 Drawing Sheets



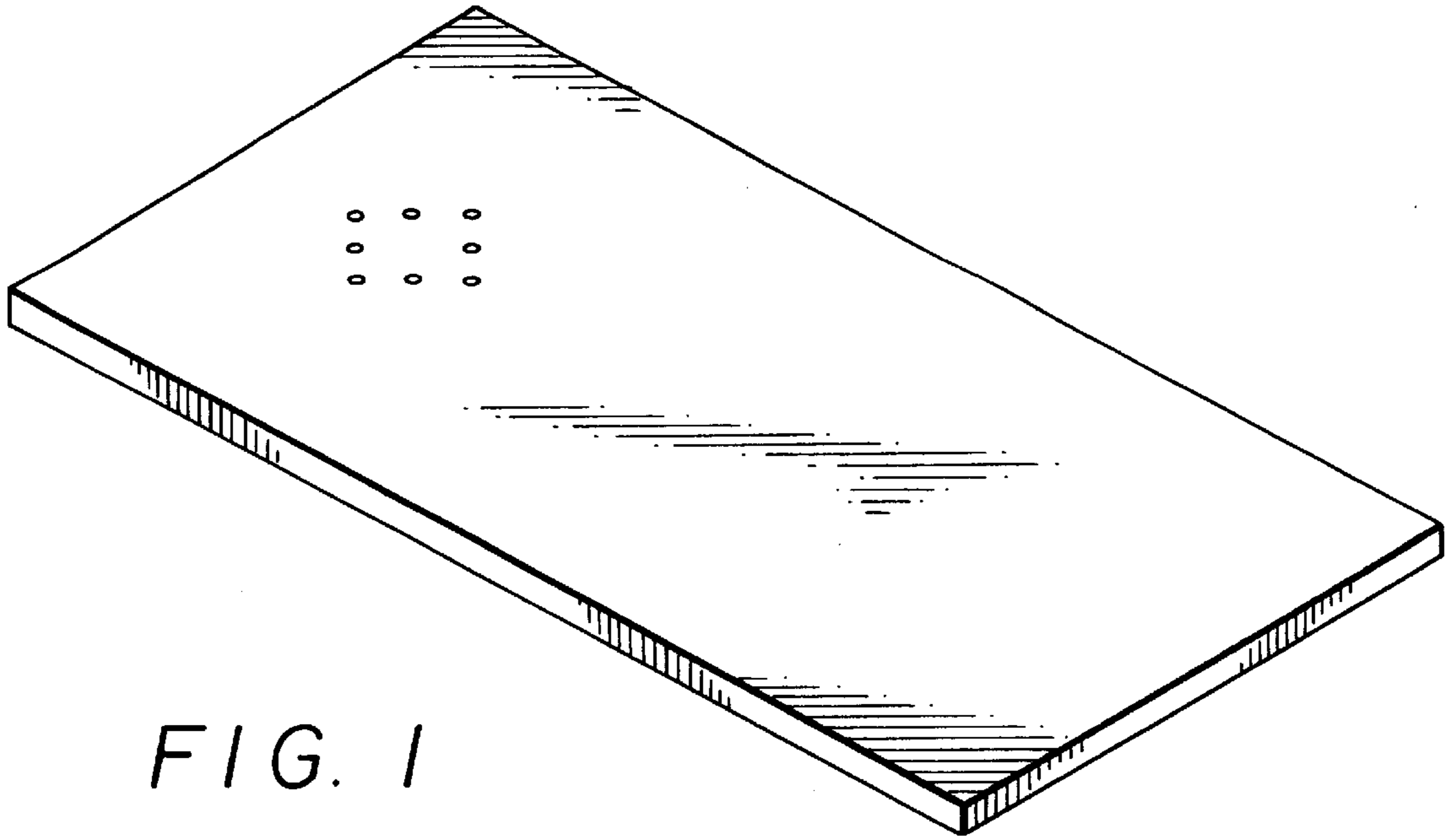


FIG. 1

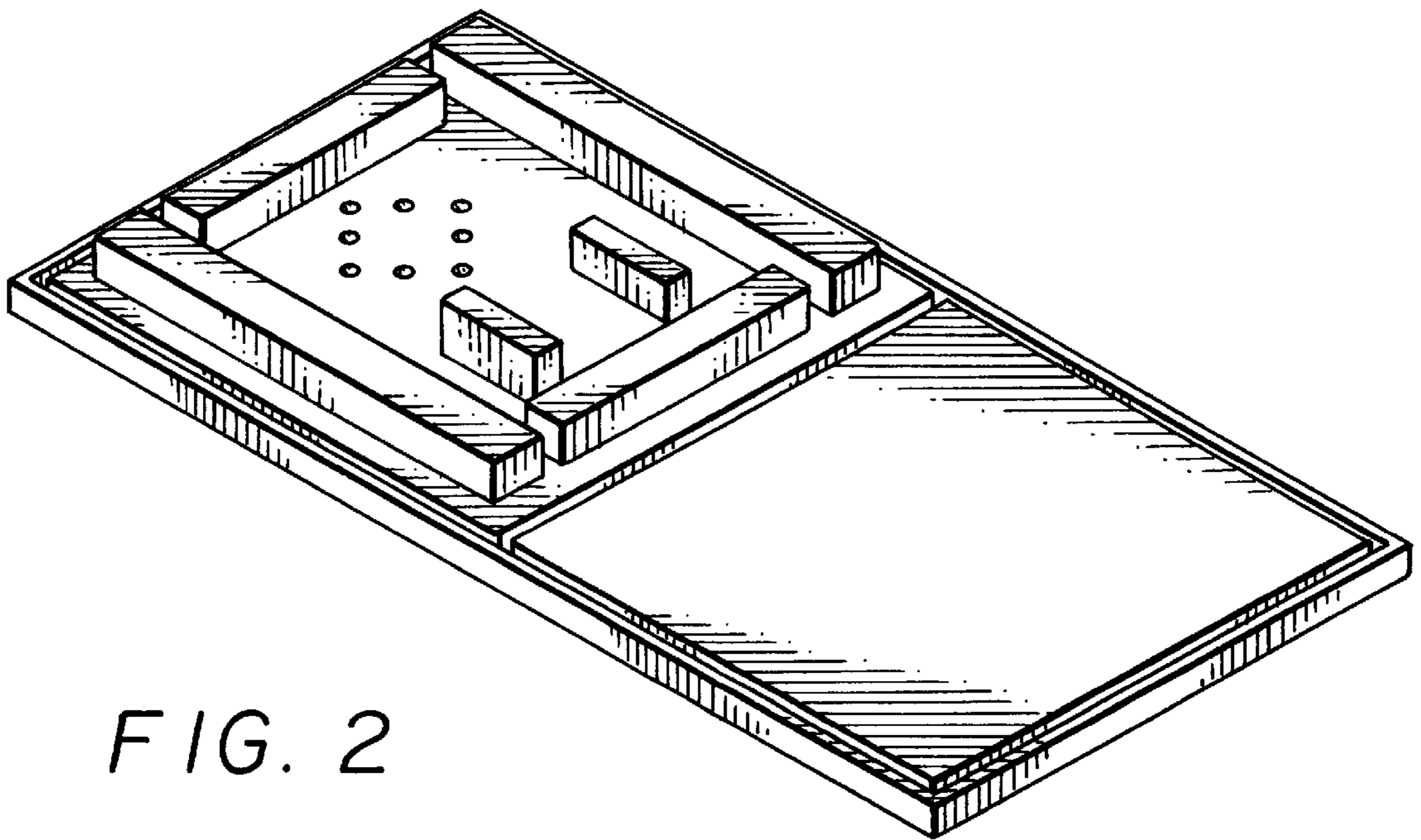


FIG. 2

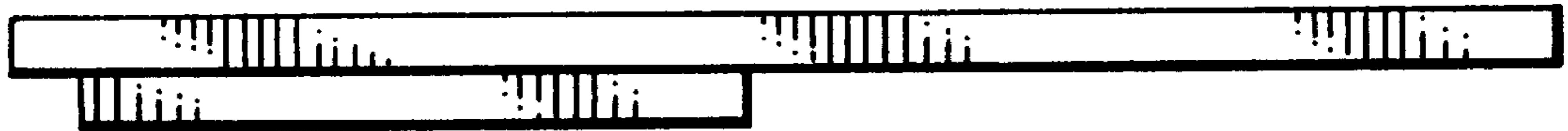


FIG. 3



FIG. 4

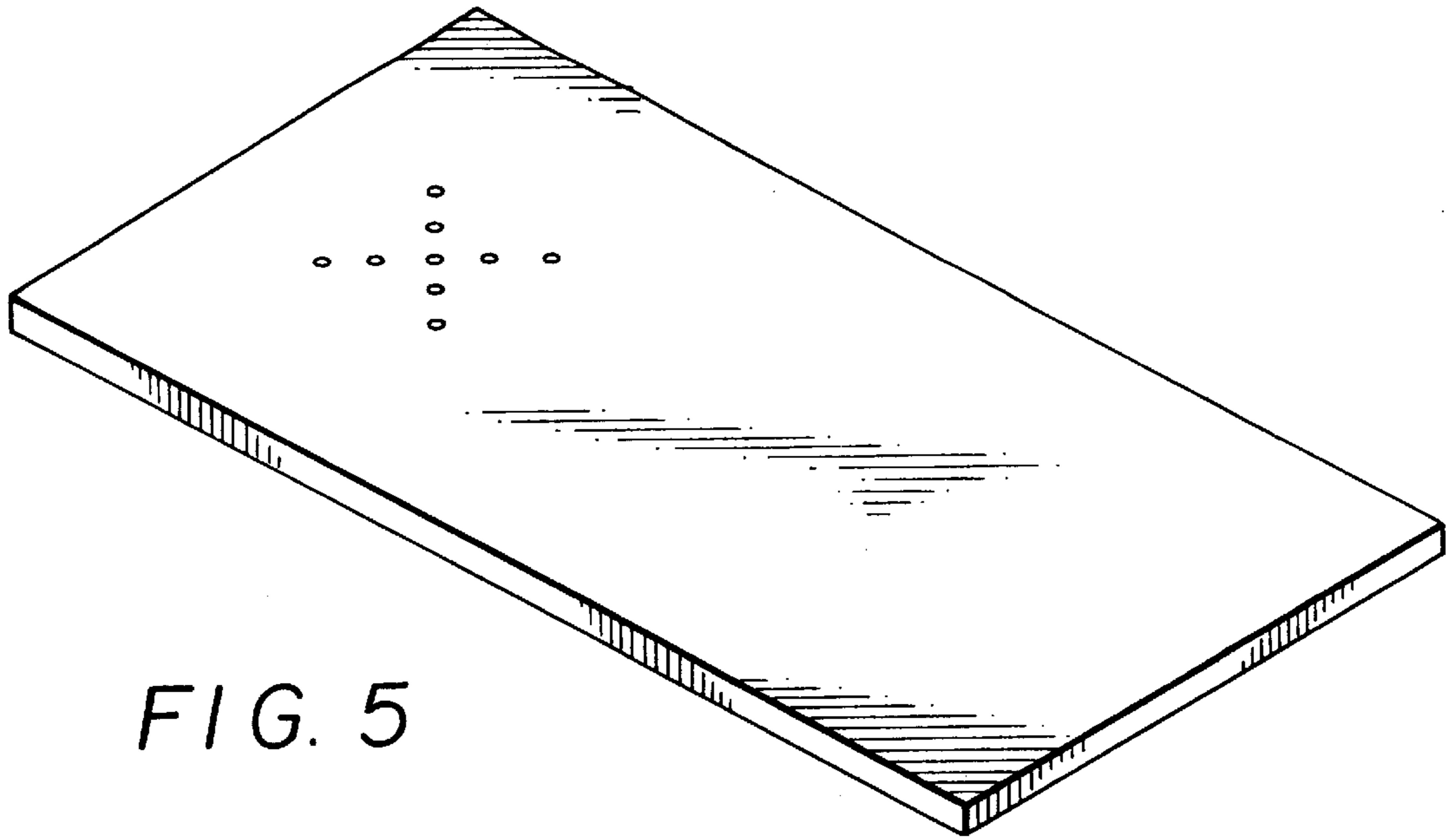


FIG. 5

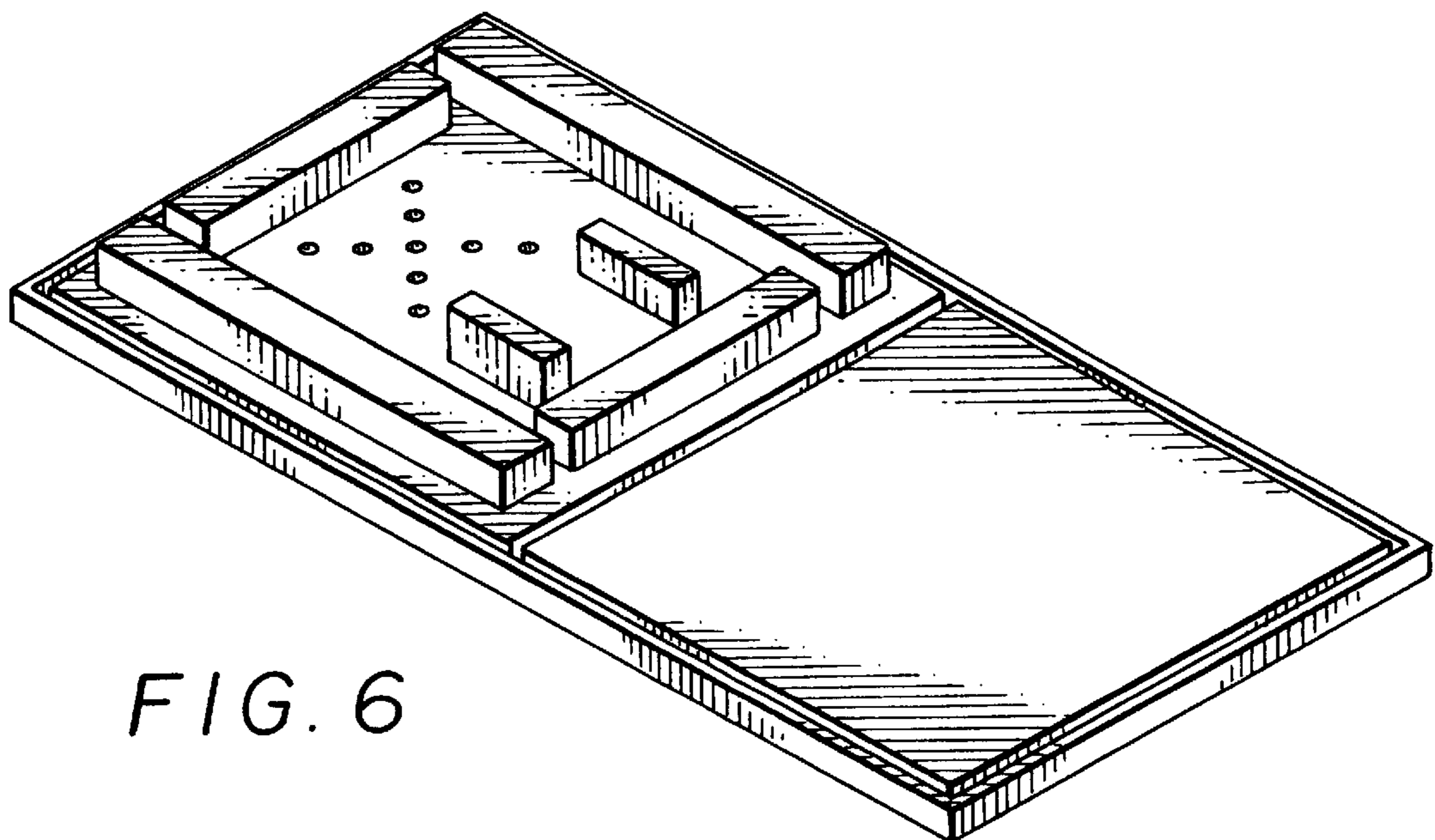


FIG. 6

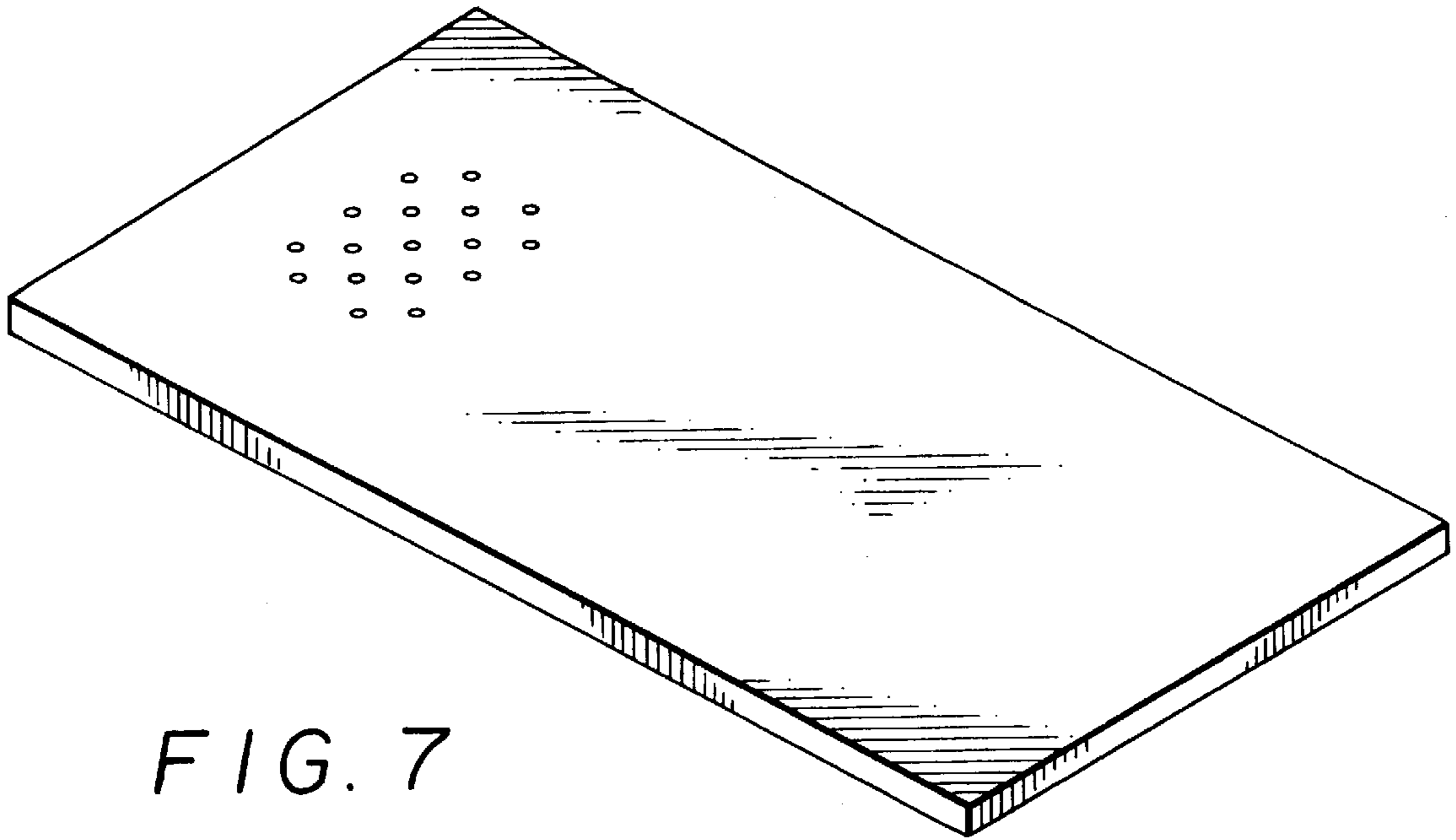


FIG. 7

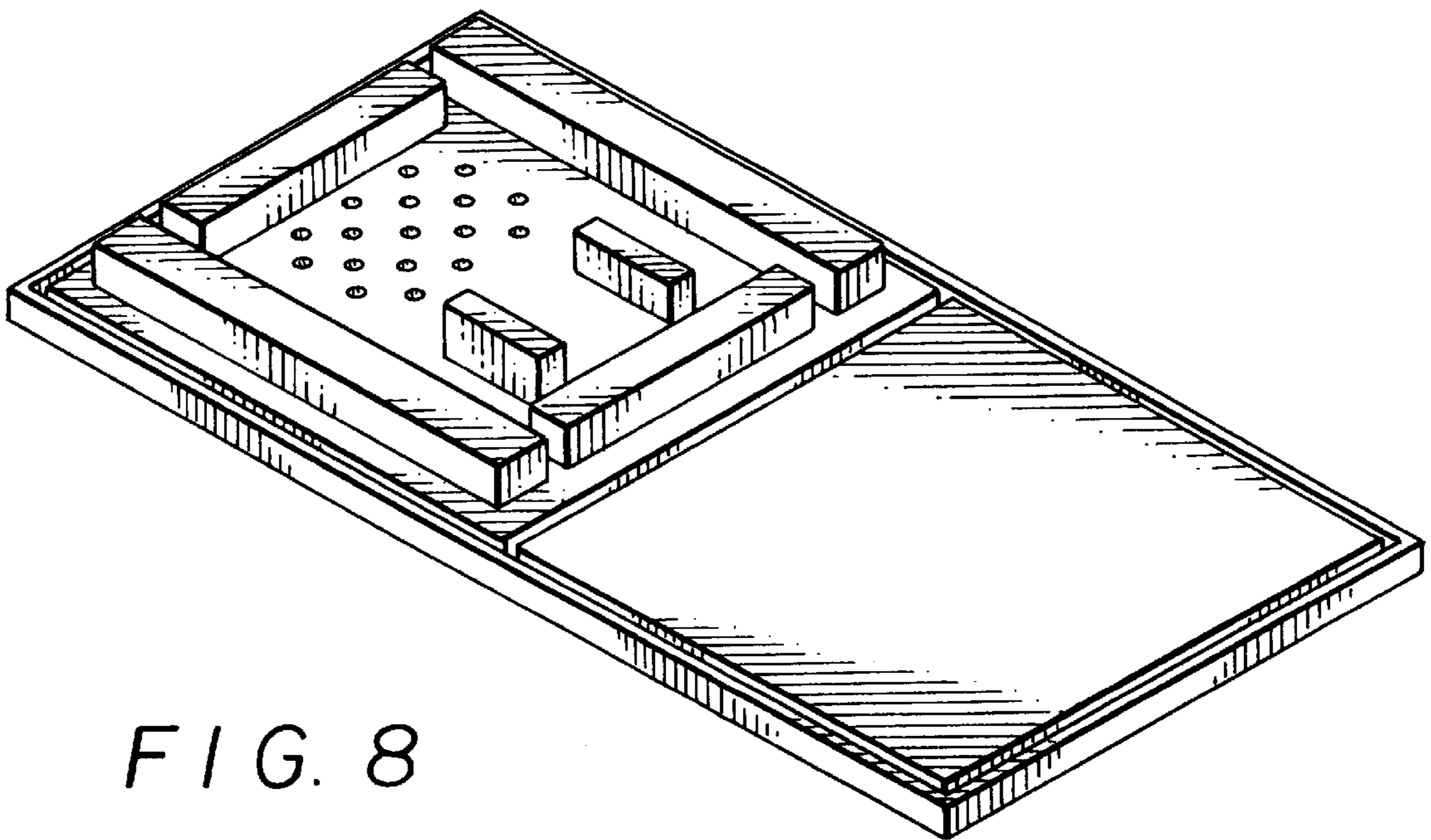


FIG. 8

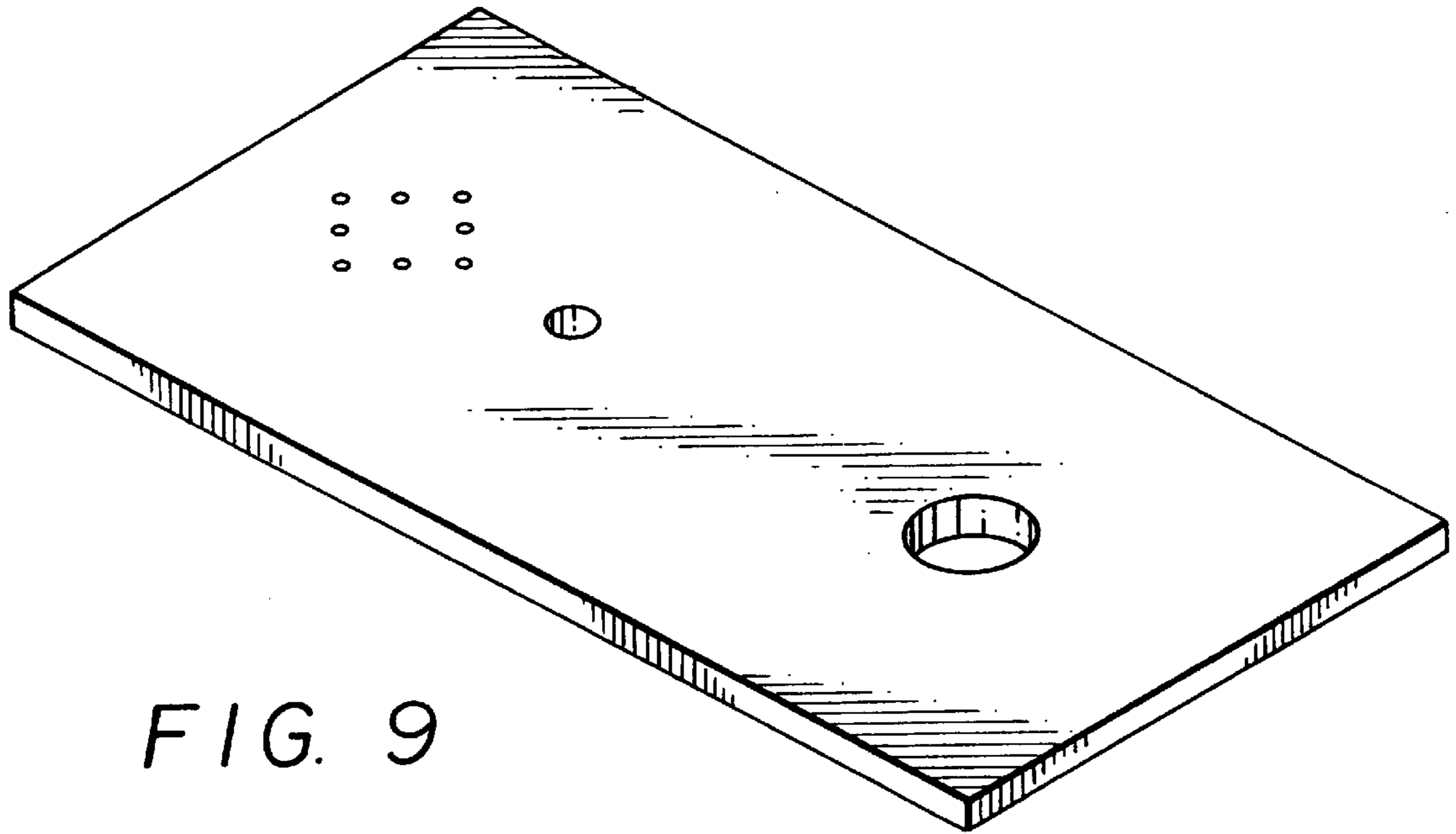


FIG. 9

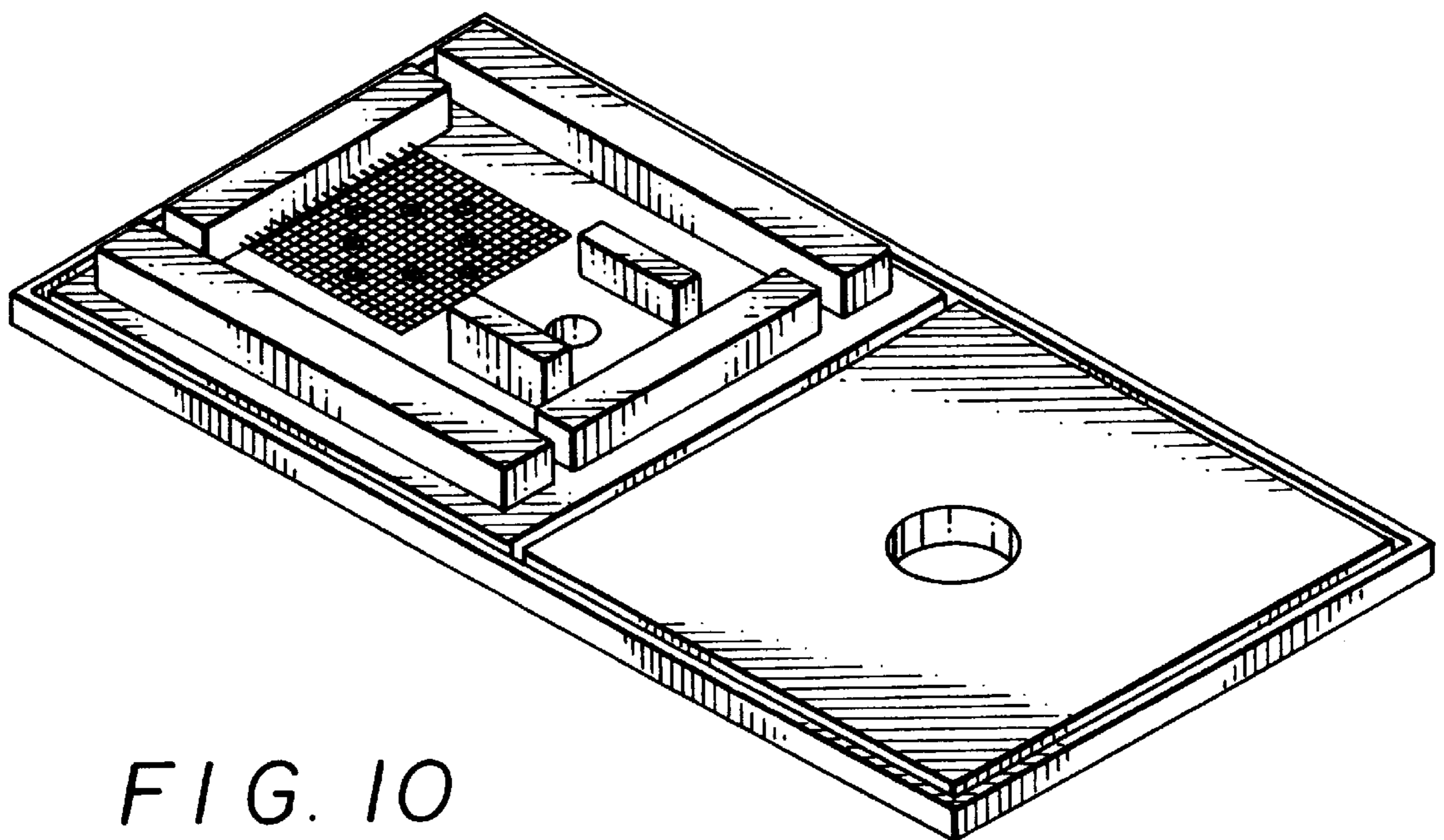


FIG. 10