



US00D442625S

(12) **United States Design Patent**
Chiba et al.

(10) **Patent No.:** **US D442,625 S**

(45) **Date of Patent:** **** May 22, 2001**

(54) **CONTROL PANEL FOR COMPUTER PRINTER**

(75) Inventors: **Toshimi Chiba**, Yokohama; **Manabu Inoue**, Shiga-ken; **Tetsuya Sekine**, Yokohama; **Hitomi Ito**, Tokyo, all of (JP)

(73) Assignee: **Canon Kabushiki Kaisha**, Tokyo (JP)

(**) Term: **14 Years**

(21) Appl. No.: **29/111,971**

(22) Filed: **Oct. 8, 1999**

(30) **Foreign Application Priority Data**

Apr. 12, 1999 (JP) 11-9490

(51) **LOC (7) Cl.** **18-02**

(52) **U.S. Cl.** **D18/56; D18/50**

(58) **Field of Search** D18/56, 50, 54-55; 400/613, 613.1-613.4, 691-694, 690.1-690.4

(56) **References Cited**

U.S. PATENT DOCUMENTS

- D. 303,979 * 10/1989 Kato et al. D18/55
- D. 307,157 * 4/1990 Sakaguchi et al. D18/54
- D. 332,465 * 1/1993 Johnson et al. D18/56
- D. 333,302 * 2/1993 Ebihara et al. D18/50
- D. 334,208 * 3/1993 Barbookles Jr. et al. D18/50
- D. 335,302 * 5/1993 Quedenfeld D18/56
- D. 356,818 3/1995 Sekine et al. D18/55
- D. 370,690 * 6/1996 Pangburn et al. D18/56
- D. 373,378 * 9/1996 Brown et al. D18/55

- D. 382,589 * 8/1997 Girard et al. D18/56
- D. 390,595 * 2/1998 Sekine D18/54
- D. 399,250 * 10/1998 Kawai D18/55
- D. 400,571 11/1998 Shimizu D18/54
- D. 400,572 * 11/1998 Sekine et al. D18/54
- D. 404,066 * 1/1999 Sakata D18/54
- D. 409,234 * 5/1999 Inoue et al. D18/54
- D. 411,228 * 6/1999 Kobayashi et al. D18/50
- D. 413,918 * 9/1999 Shimobayashi D18/50
- D. 413,921 * 9/1999 Gassett et al. D18/56
- D. 414,508 * 9/1999 Pangburn D18/55
- D. 418,157 * 12/1999 Han D18/50
- D. 422,631 * 4/2000 Toriyama et al. D18/50
- D. 424,104 * 5/2000 Rorke et al. D18/56

* cited by examiner

Primary Examiner—Cathy Anne MacCormac

(74) *Attorney, Agent, or Firm*—Fitzpatrick, Cella, Harper & Scinto

(57) **CLAIM**

The ornamental design for a control panel for computer printer, as shown and described.

DESCRIPTION

FIG. 1 is a front view of a control panel for computer printer showing our new design;
 FIG. 2 is a rear view thereof;
 FIG. 3 is a top plan view thereof;
 FIG. 4 is a left side view thereof;
 FIG. 5 is a right side view thereof; and,
 FIG. 6 is an enlarged view thereof as seen in FIG. 3.

1 Claim, 5 Drawing Sheets

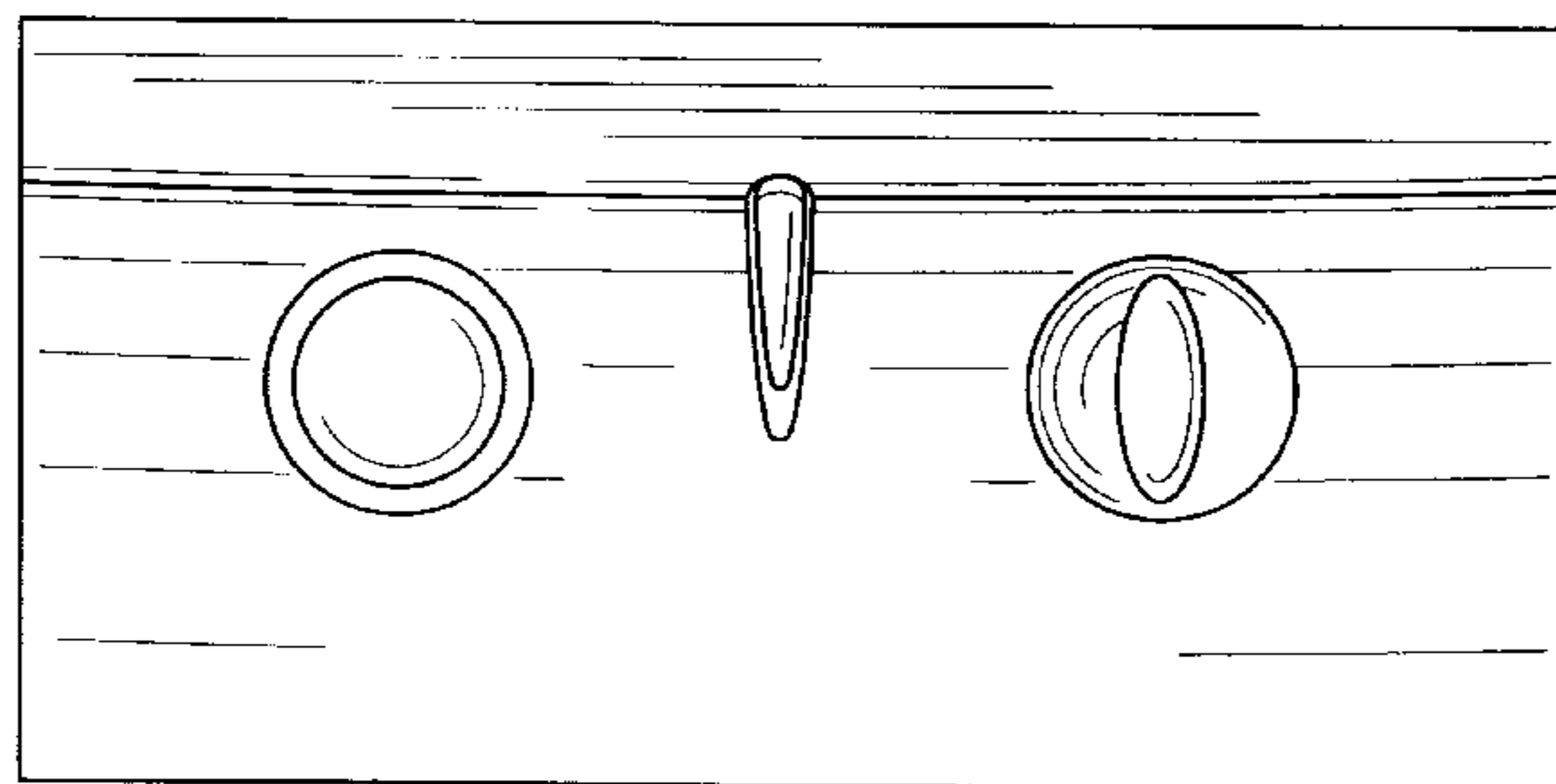
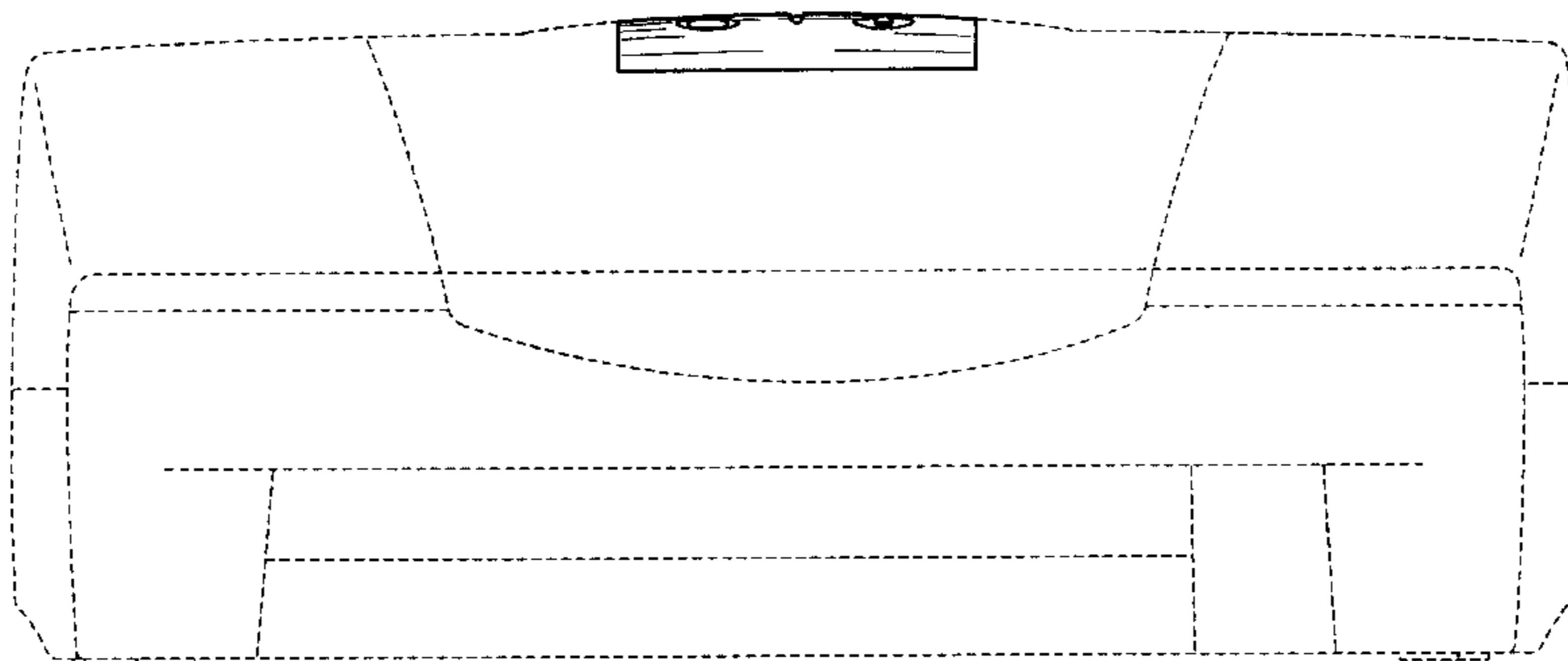


FIG. 1

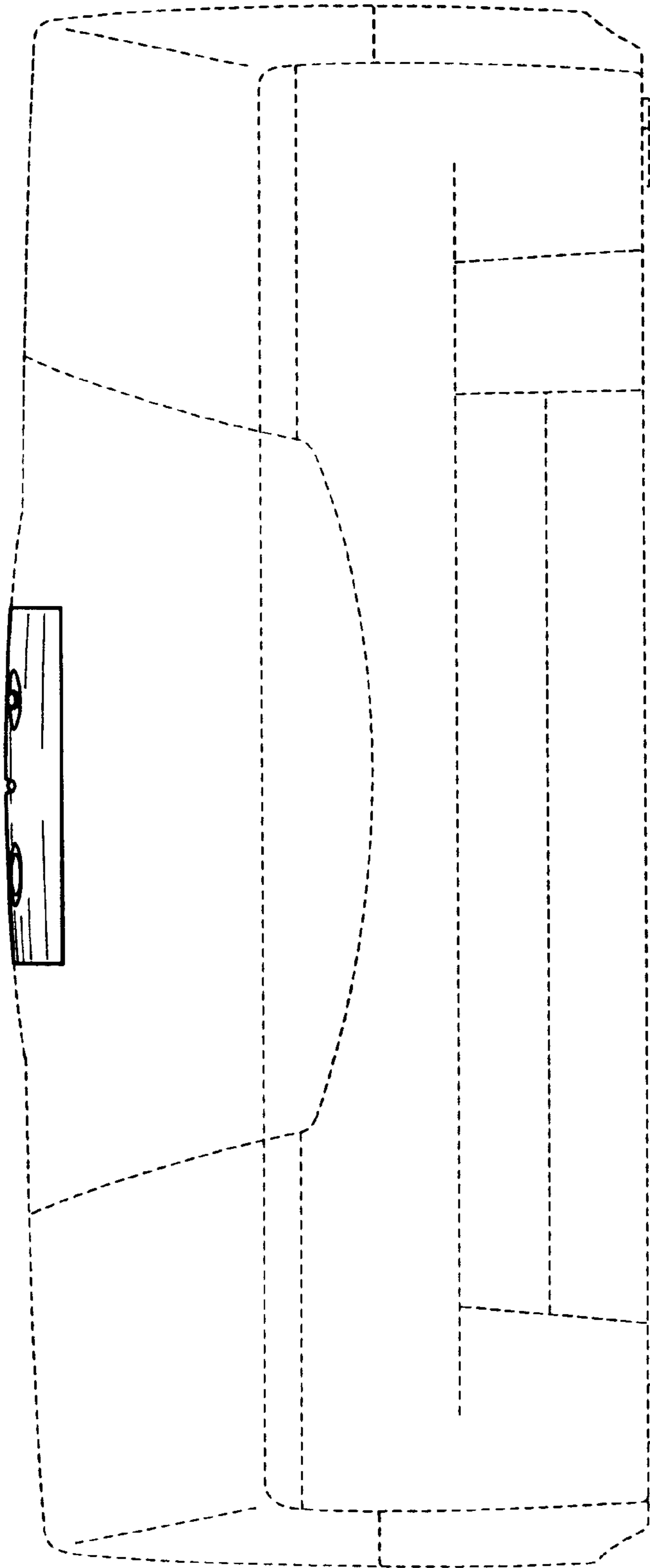


FIG. 2

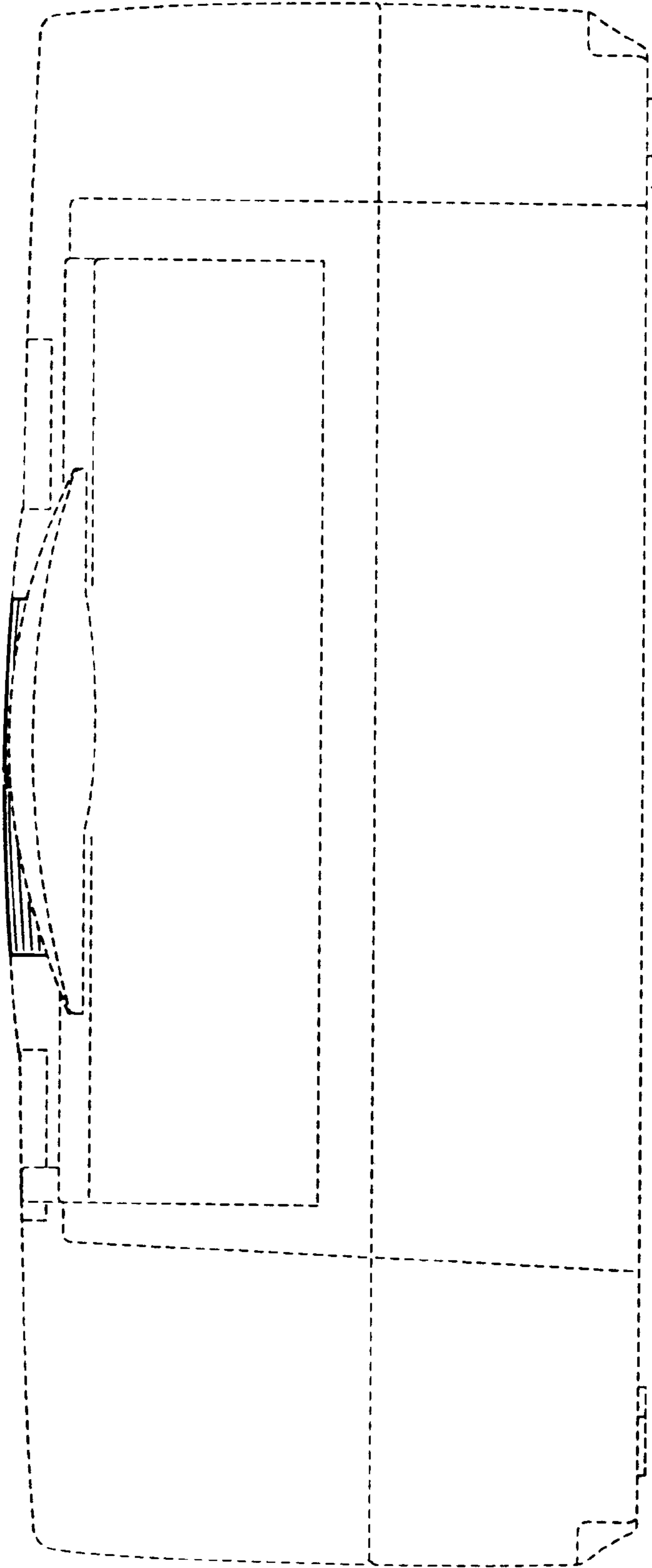


FIG. 3

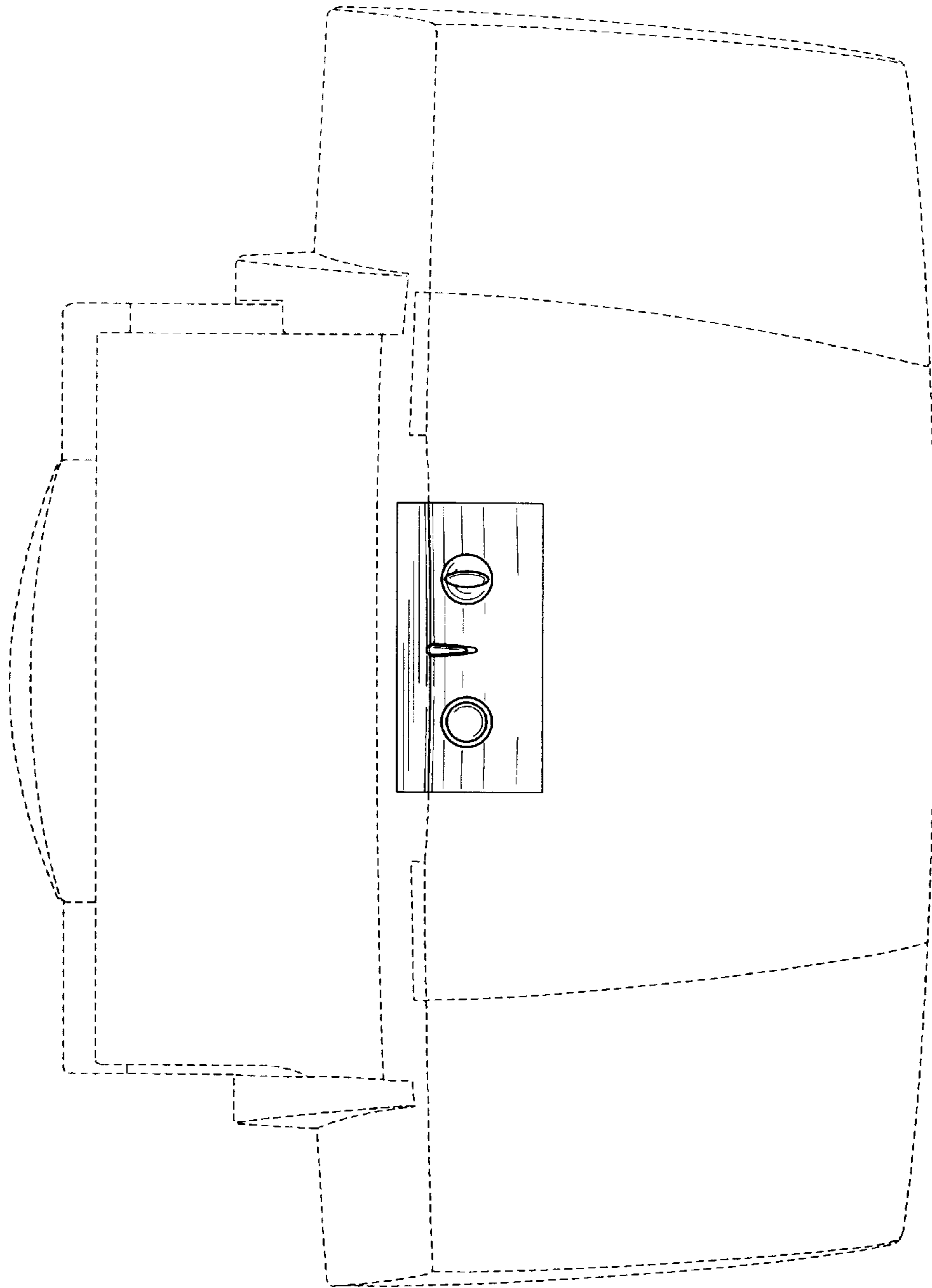


FIG. 4

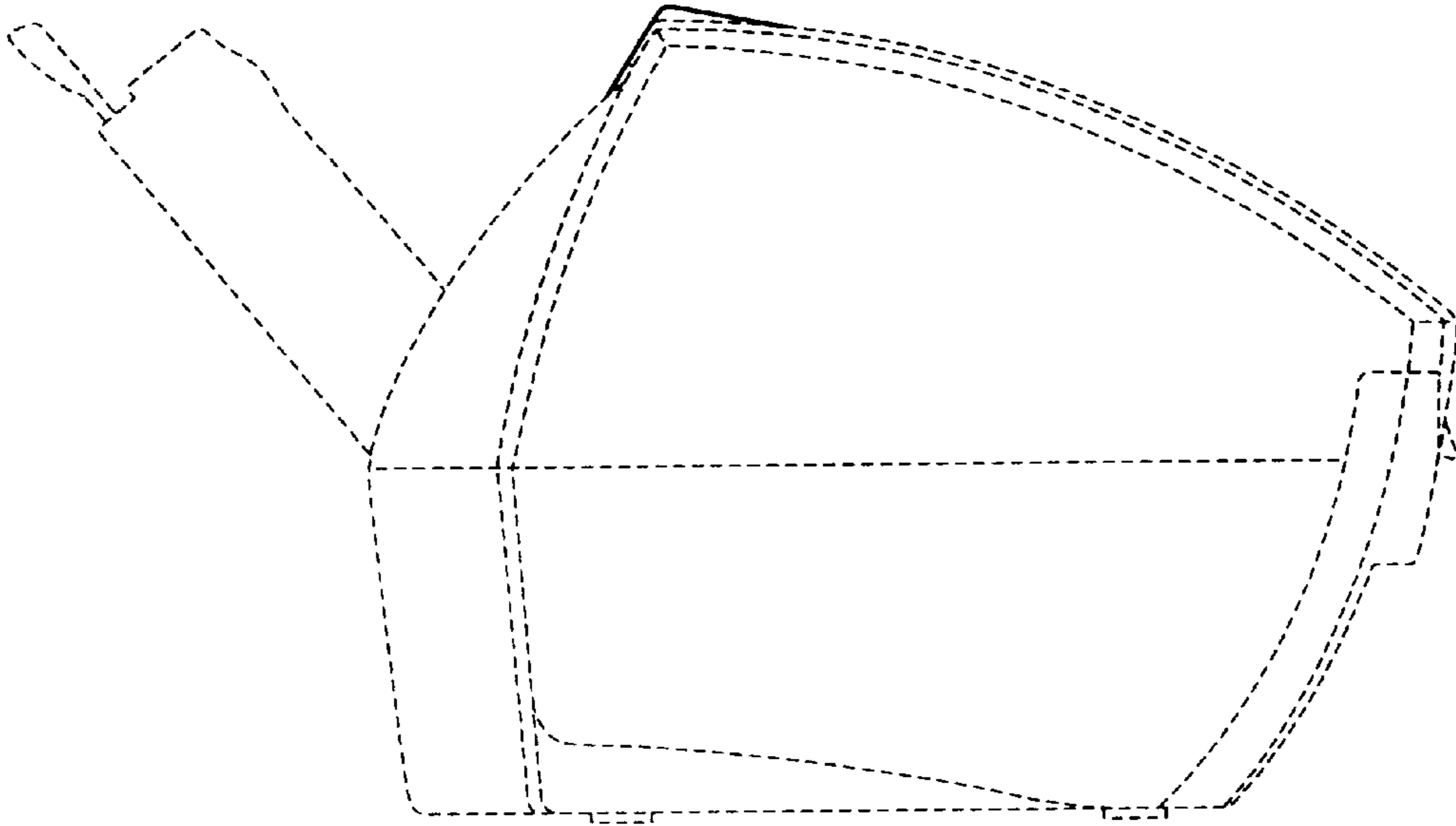


FIG. 5

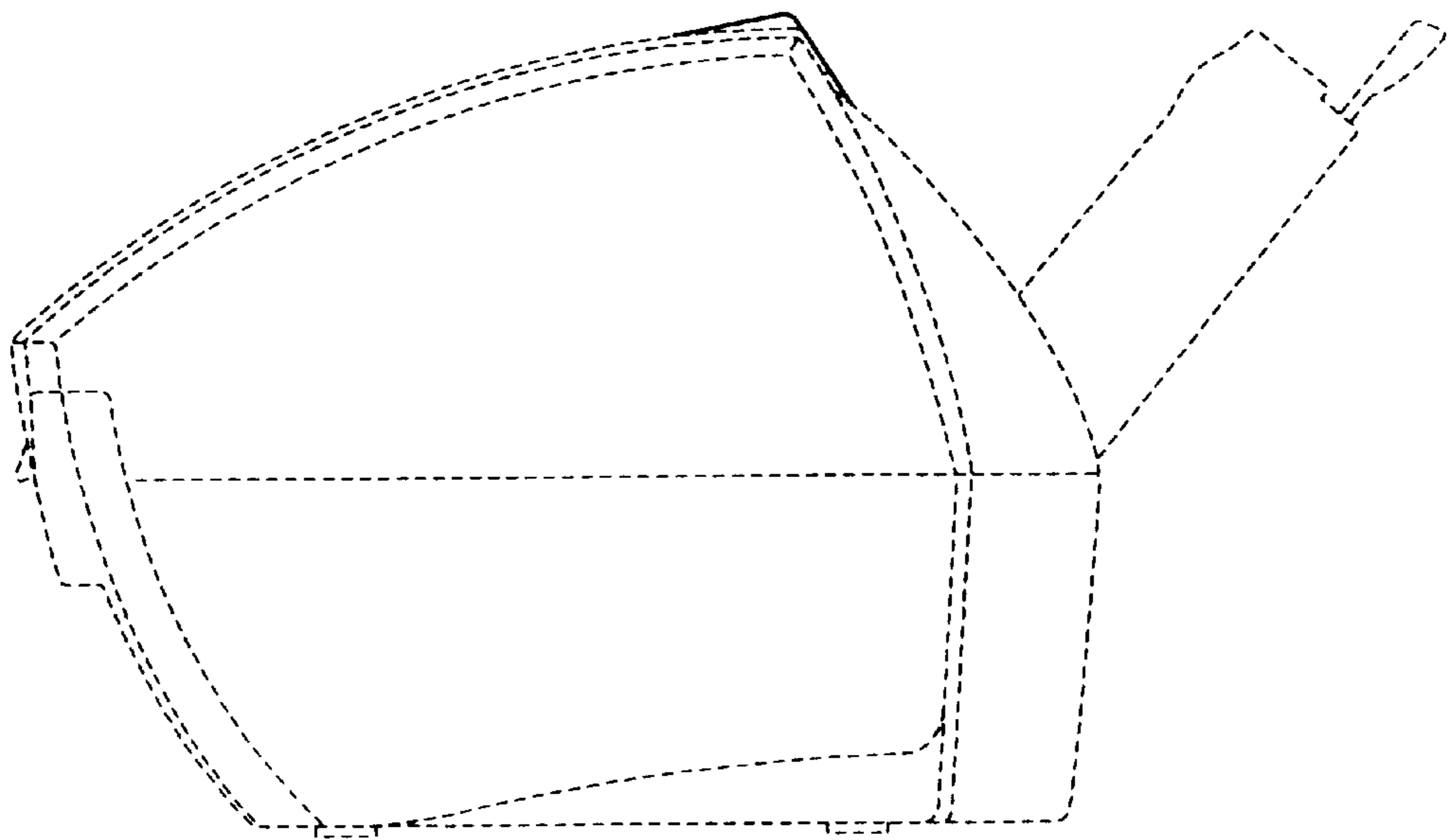


FIG. 6

