



US00D442617S

(12) **United States Design Patent**
Ohmori et al.

(10) **Patent No.:** **US D442,617 S**

(45) **Date of Patent:** **** May 22, 2001**

(54) **CAMERA**

(75) Inventors: **Tomohiro Ohmori; Tomohiko Hirata,**
both of Tokyo (JP)

(73) Assignee: **Tomy Company, Ltd.,** Tokyo (JP)

(**) Term: **14 Years**

(21) Appl. No.: **29/130,915**

(22) Filed: **Oct. 12, 2000**

(30) **Foreign Application Priority Data**

Apr. 25, 2000 (JP) 12-010858

(51) **LOC (7) Cl.** **16-01**

(52) **U.S. Cl.** **D16/204; D16/207**

(58) **Field of Search** **D16/200-205,**
D16/207, 208, 218; 396/25-29, 535-541

(56) **References Cited**

U.S. PATENT DOCUMENTS

D. 217,105 * 4/1970 Matsumoto et al. D16/204

D. 221,403 * 8/1971 Matsumoto et al. D16/204

D. 225,901 * 1/1973 Yagi D16/204

3,643,566 * 2/1972 Ando et al. 396/27

3,827,069 * 7/1974 Stowell 396/27

* cited by examiner

Primary Examiner—Adir Aronovich

(74) *Attorney, Agent, or Firm*—Staas & Halsey LLP

(57) **CLAIM**

The ornamental design for a camera, as shown and described.

DESCRIPTION

FIG. 1 is a perspective view of the camera embodying the new design;

FIG. 2 is a front elevational view thereof;

FIG. 3 is a rear elevational view thereof;

FIG. 4 is a left-side elevational view thereof;

FIG. 5 is a right-side elevational view thereof;

FIG. 6 is a top plan view thereof;

FIG. 7 is a bottom plan view thereof; and,

FIG. 8 is a perspective view depicting the lens cover in an open position.

1 Claim, 4 Drawing Sheets

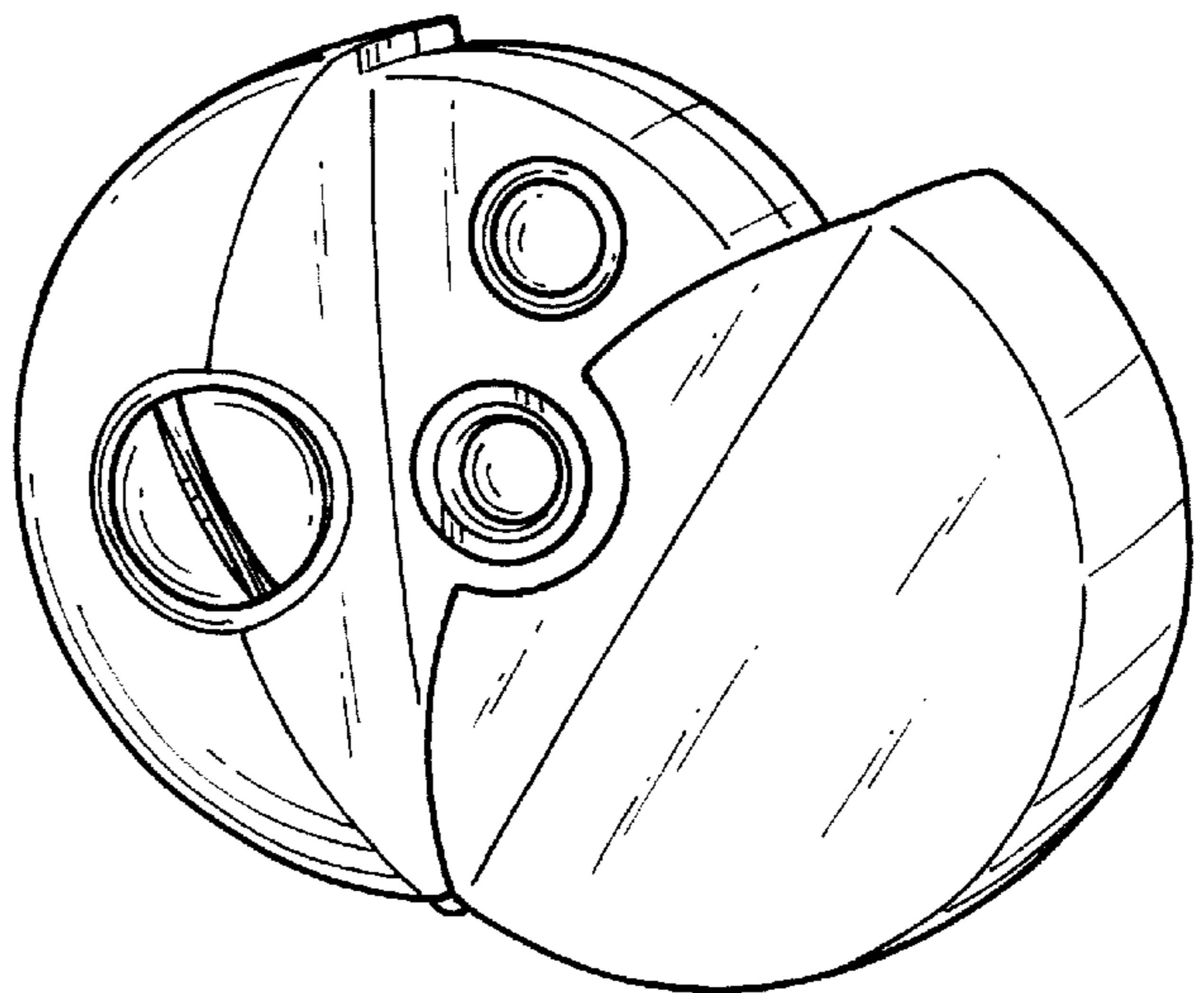
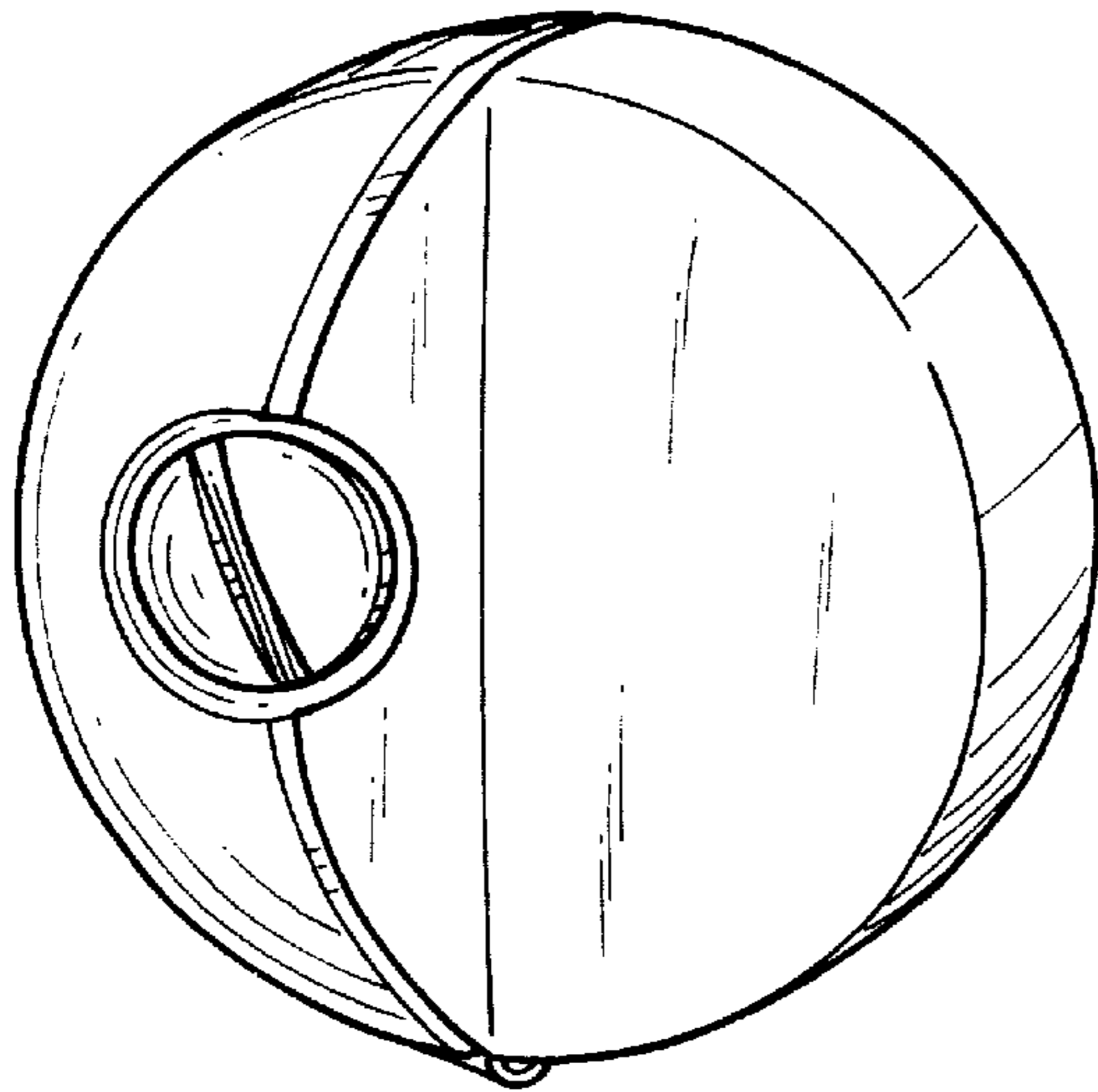


FIG. 1

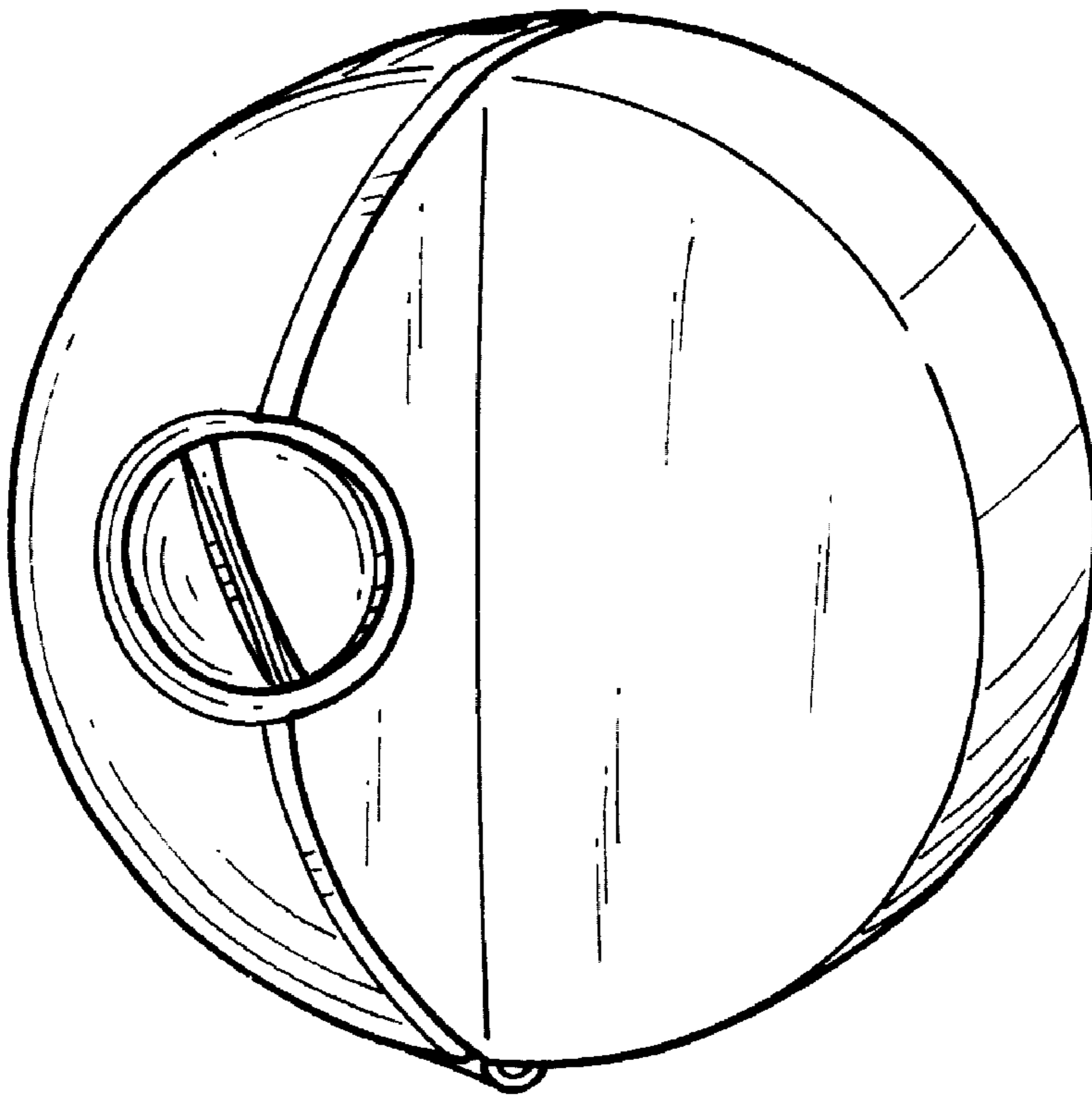


FIG. 2

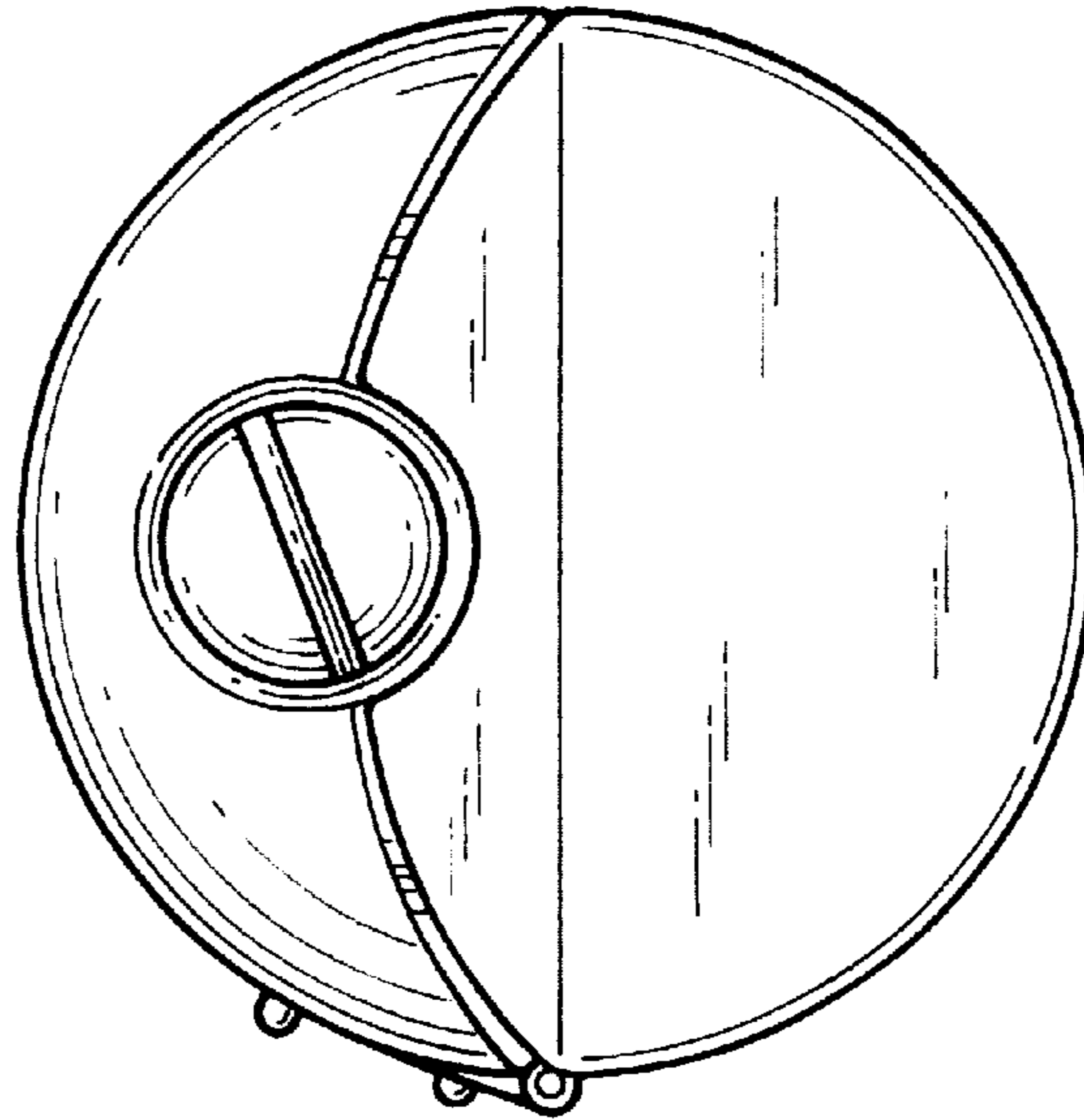


FIG. 3

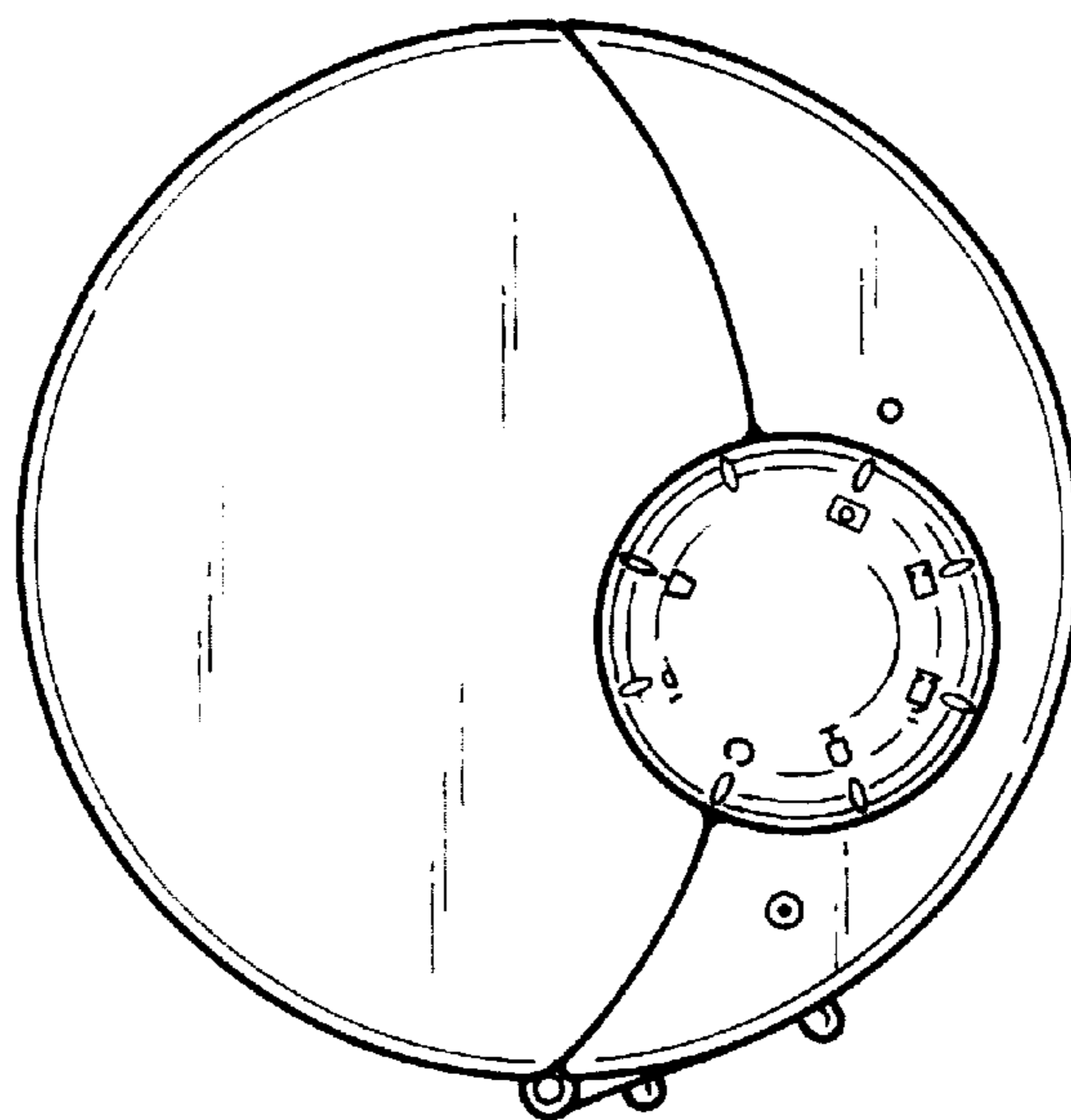


FIG. 4

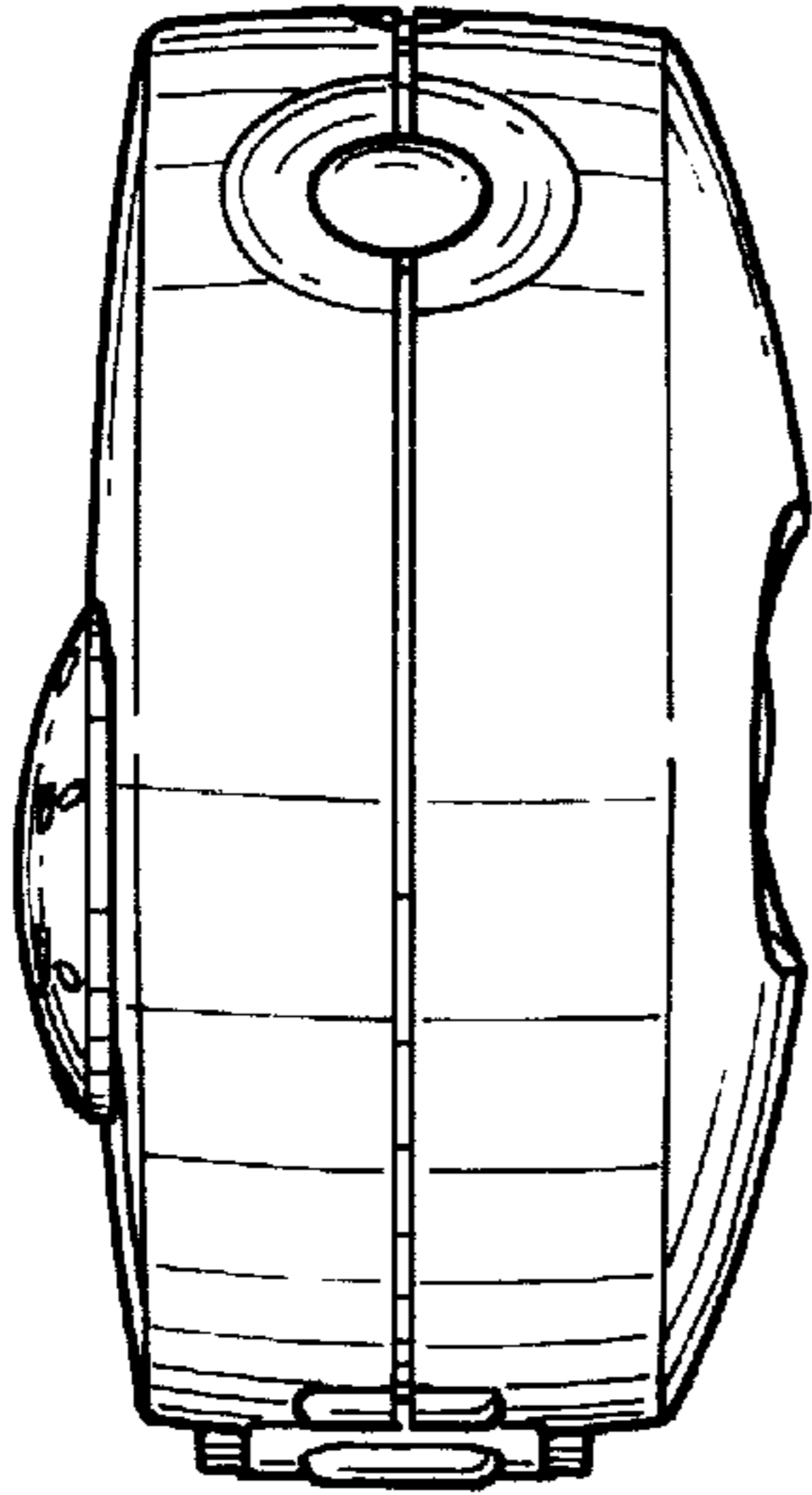


FIG. 5

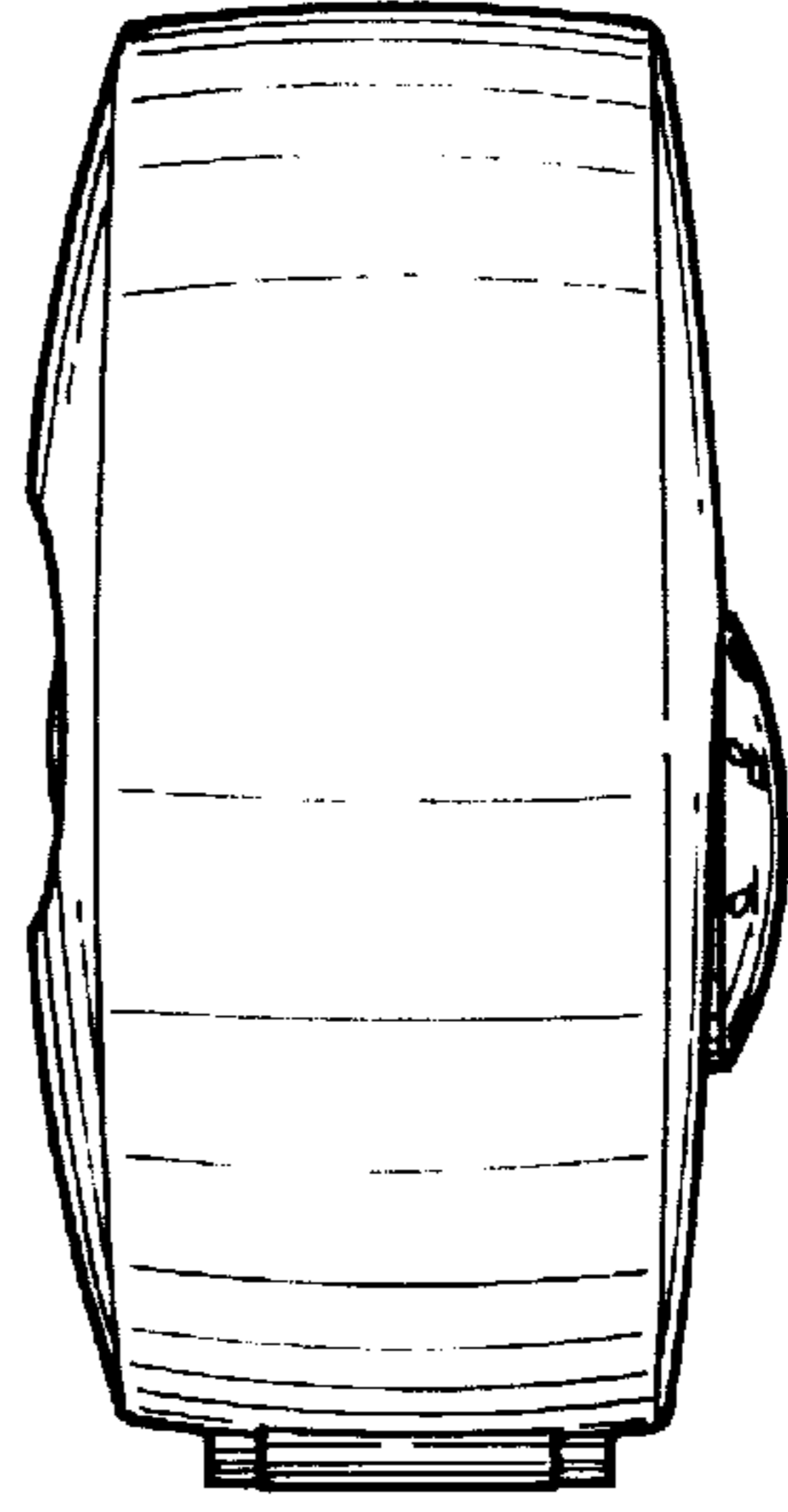


FIG. 6

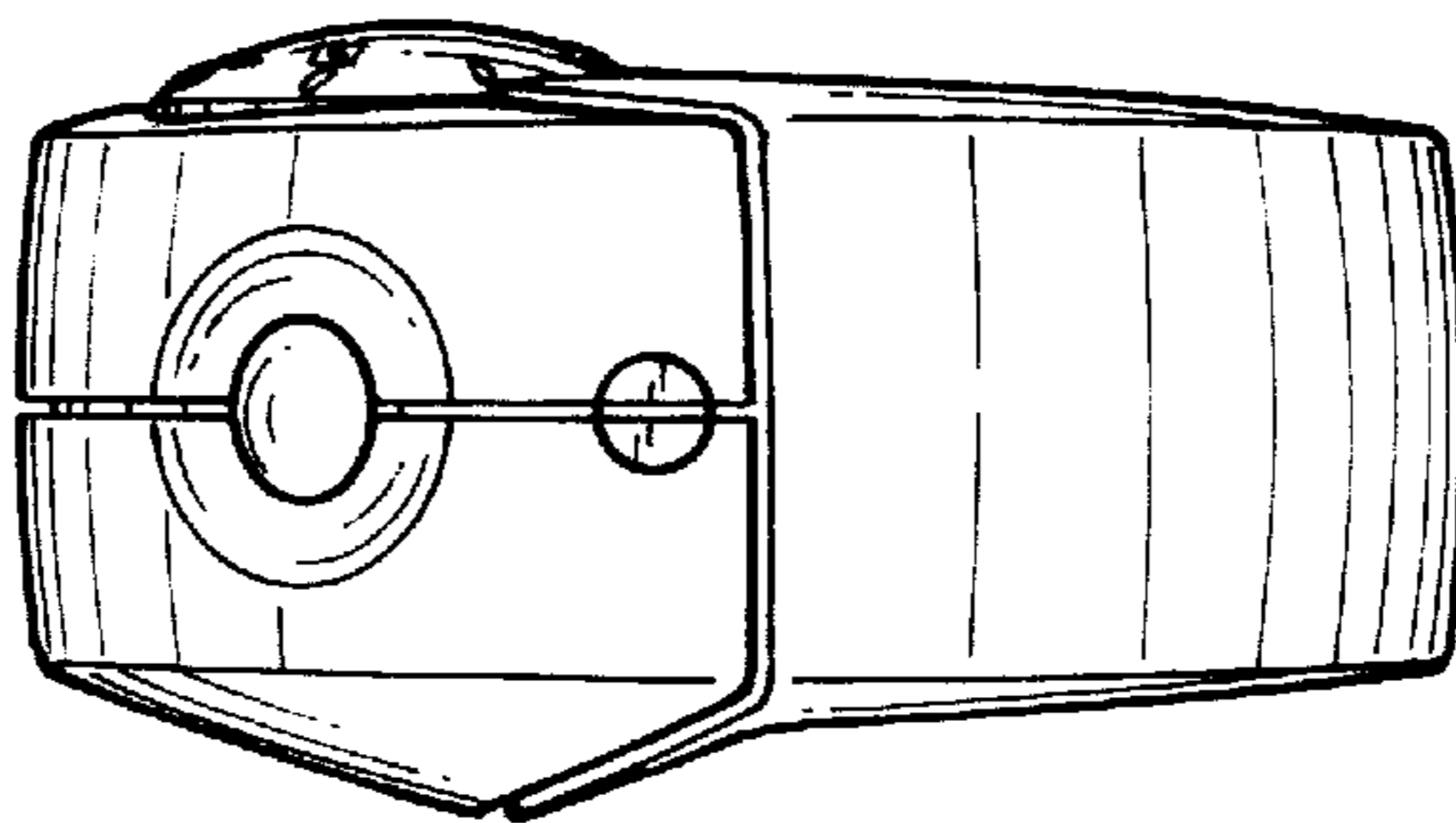


FIG. 7

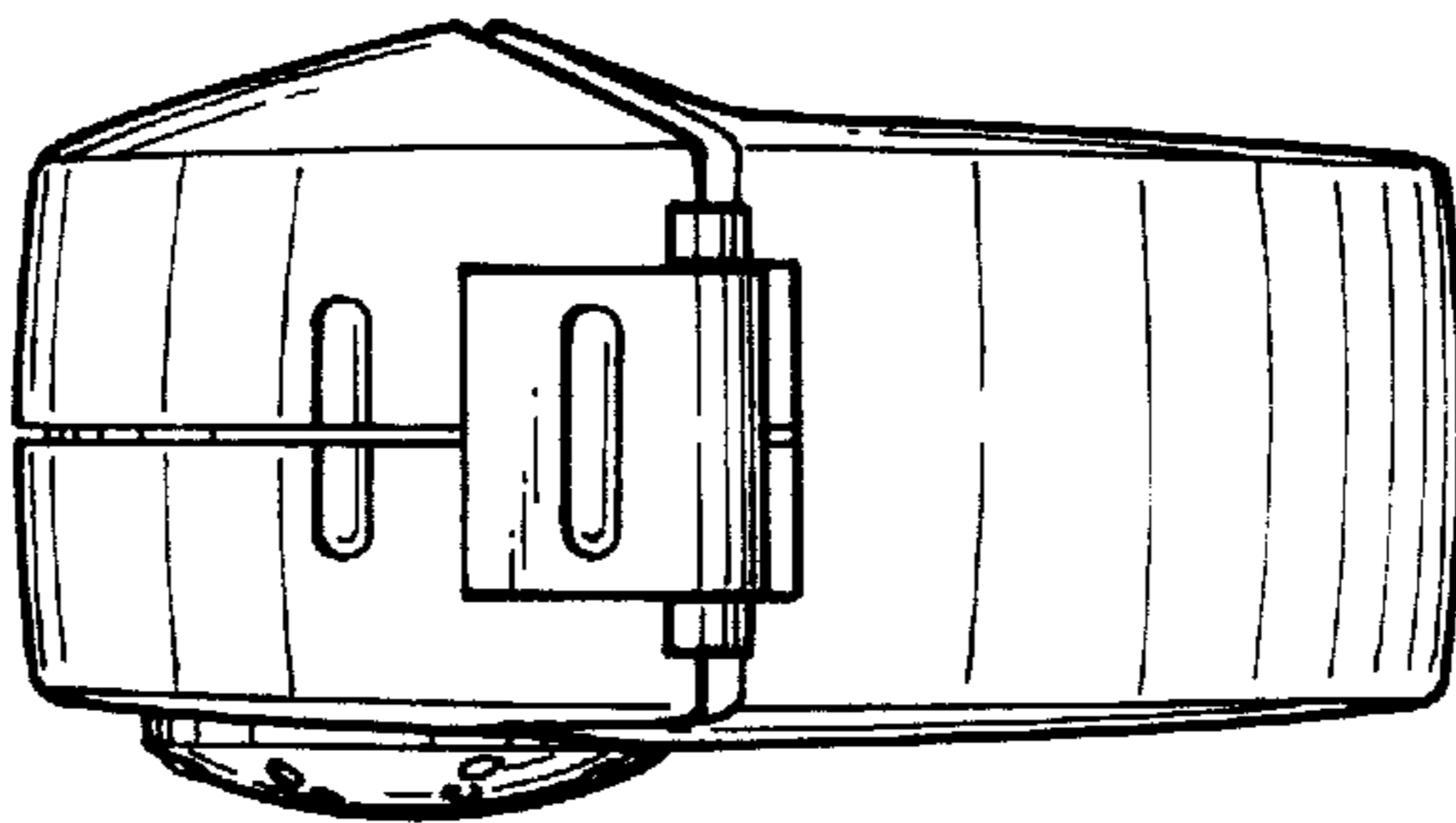


FIG. 8

