



US00D442615S

(12) **United States Design Patent**
Owada et al.

(10) **Patent No.:** **US D442,615 S**

(45) **Date of Patent:** **** May 22, 2001**

(54) **VIDEO CAMERA WITH VIDEO TAPE RECORDER**

D. 408,427 * 4/1999 Saeki et al. D16/202
D. 410,662 * 6/1999 Harata D16/202
5,499,052 * 3/1996 Nakanishi et al. 348/373

(75) Inventors: **Masahito Owada; Tetsuya Sekine,**
both of Yokohama (JP)

OTHER PUBLICATIONS

Camcorder, Dec. 1993 p. 29 (Hitachi VM-H39A).*

(73) Assignee: **Canon Kabushiki Kaisha,** Tokyo (JP)

* cited by examiner

(**) Term: **14 Years**

Primary Examiner—Adir Aronovich

(21) Appl. No.: **29/129,562**

(74) *Attorney, Agent, or Firm*—Fitzpatrick, Cella, Harper & Scinto

(22) Filed: **Sep. 18, 2000**

(57) **CLAIM**

(30) **Foreign Application Priority Data**

The ornamental design for a video camera with video tape recorder, as shown and described.

Jul. 5, 2000 (JP) 2000-018377

DESCRIPTION

(51) **LOC (7) Cl.** **16-01**

(52) **U.S. Cl.** **D16/202**

(58) **Field of Search** D16/200-206;
348/373-376; 352/242, 243; 396/535-541;
358/906

FIG. 1 is a front view of a video camera with video tape recorder showing our new design;
FIG. 2 is a rear view thereof;
FIG. 3 is a top plan view thereof;
FIG. 4 is a bottom plan view thereof;
FIG. 5 is a left side view thereof;
FIG. 6 is a right side view thereof; and,
FIG. 7 is a perspective view thereof.

(56) **References Cited**

U.S. PATENT DOCUMENTS

D. 342,752 * 12/1993 Urushihara et al. D16/202
D. 356,806 * 3/1995 Kim D16/202

1 Claim, 5 Drawing Sheets

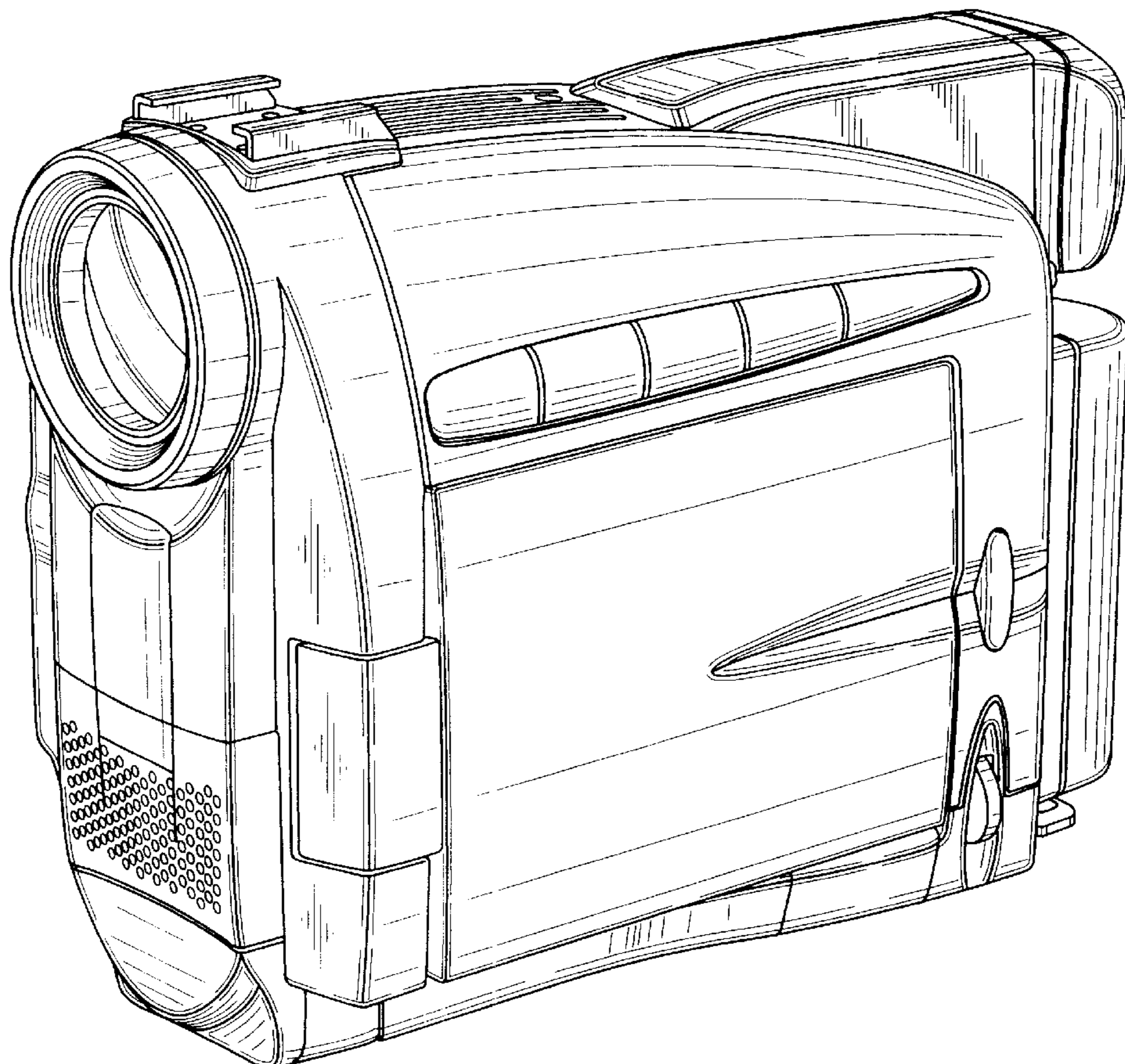


FIG. 1

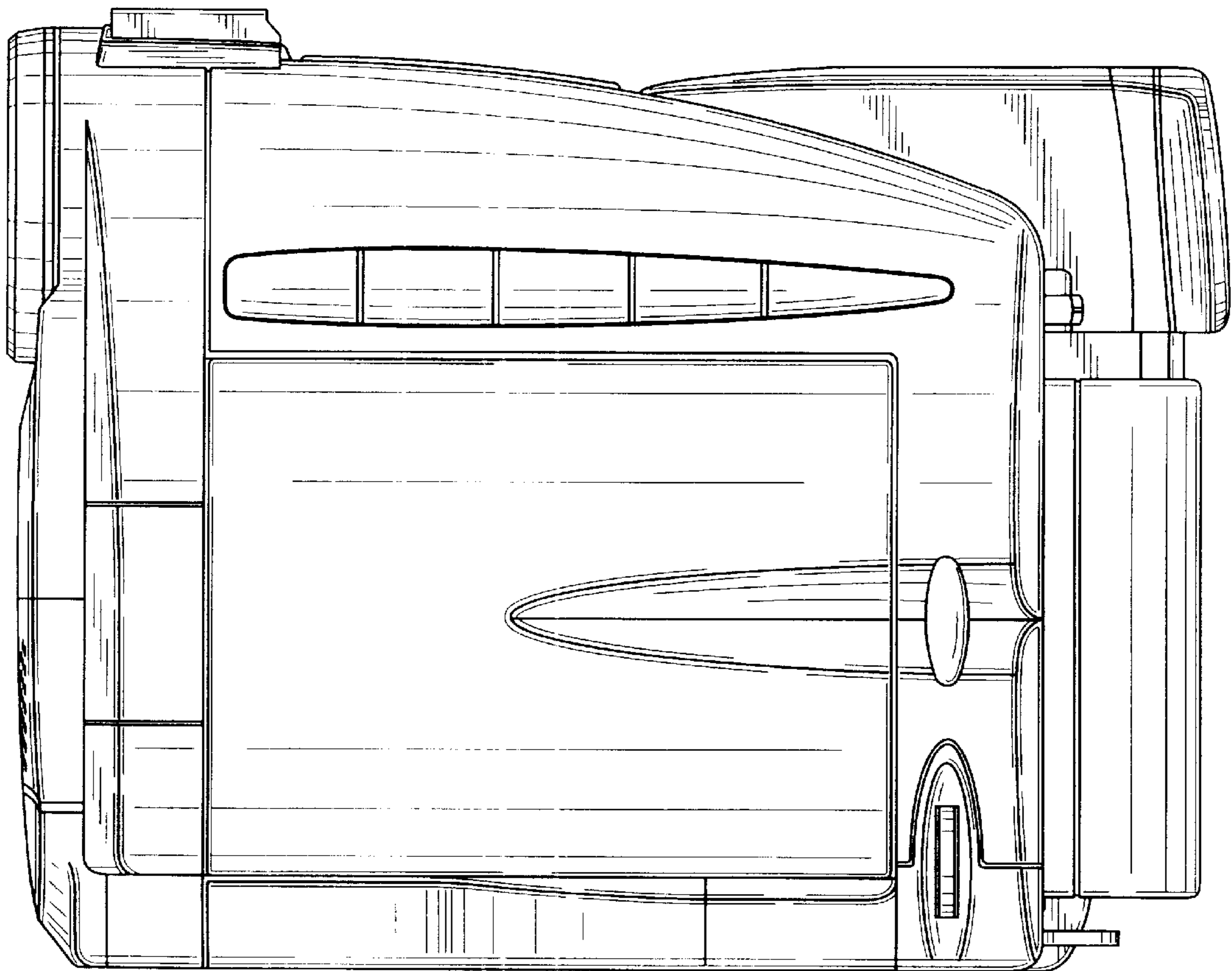


FIG. 2

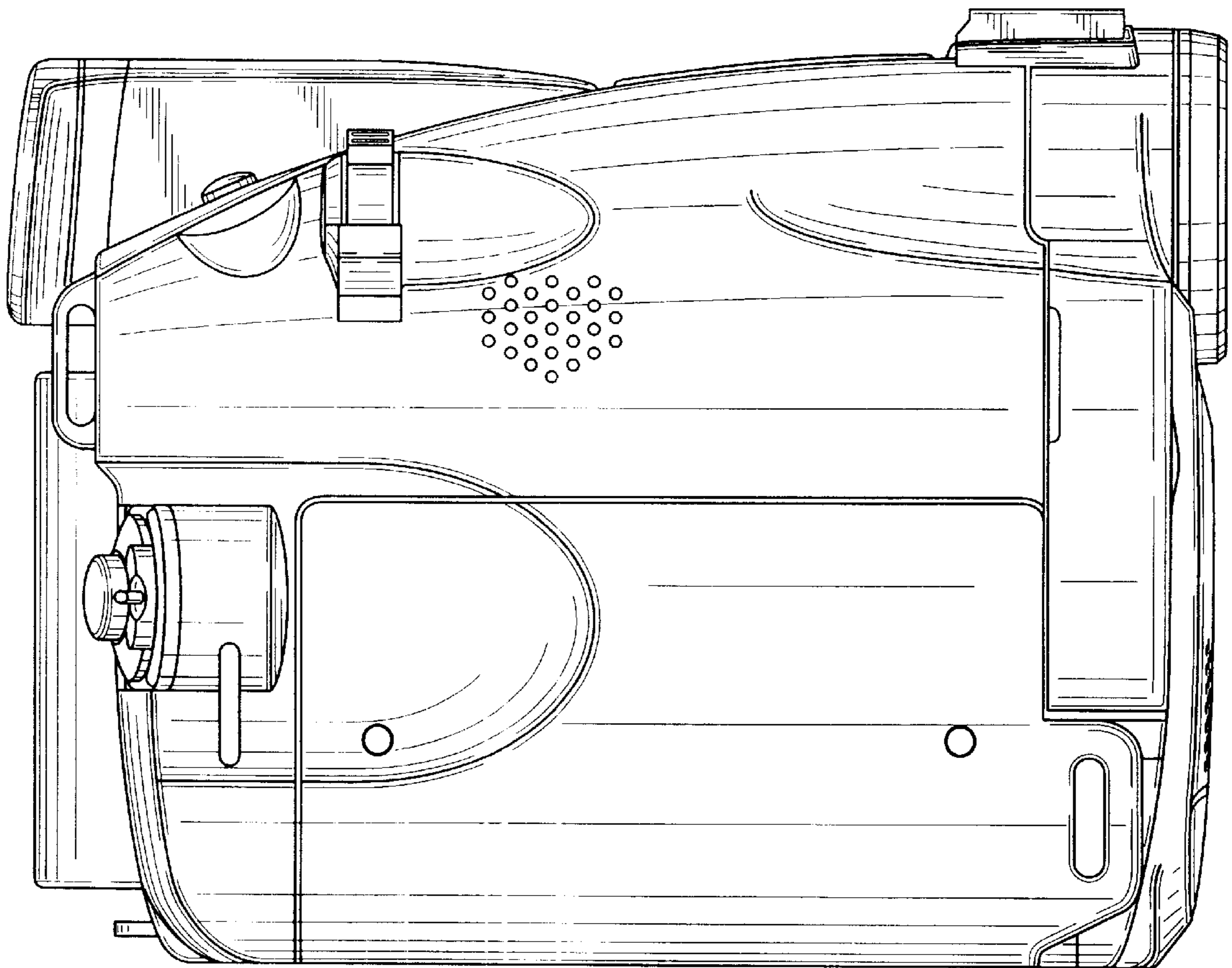


FIG. 3

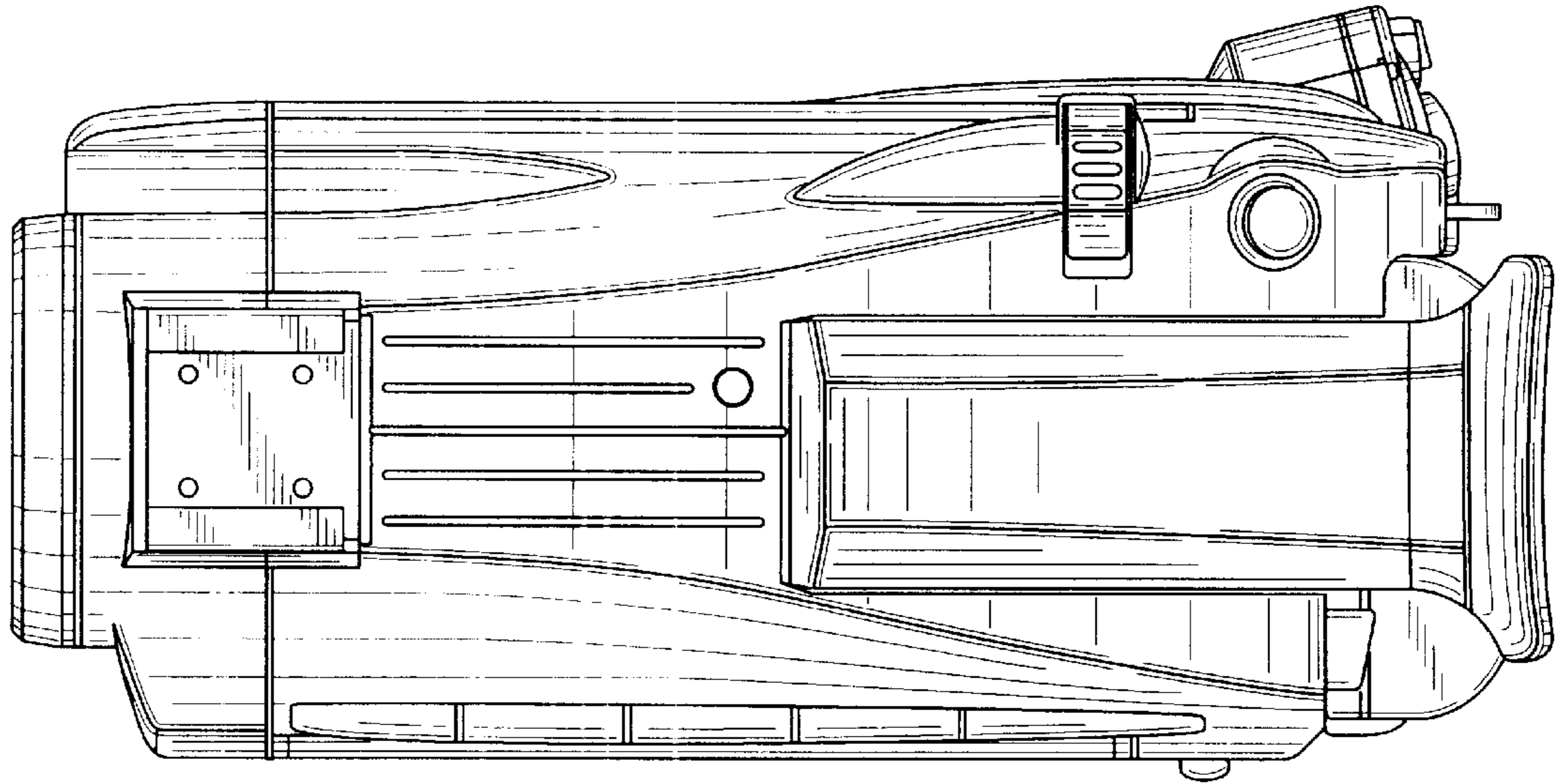


FIG. 4

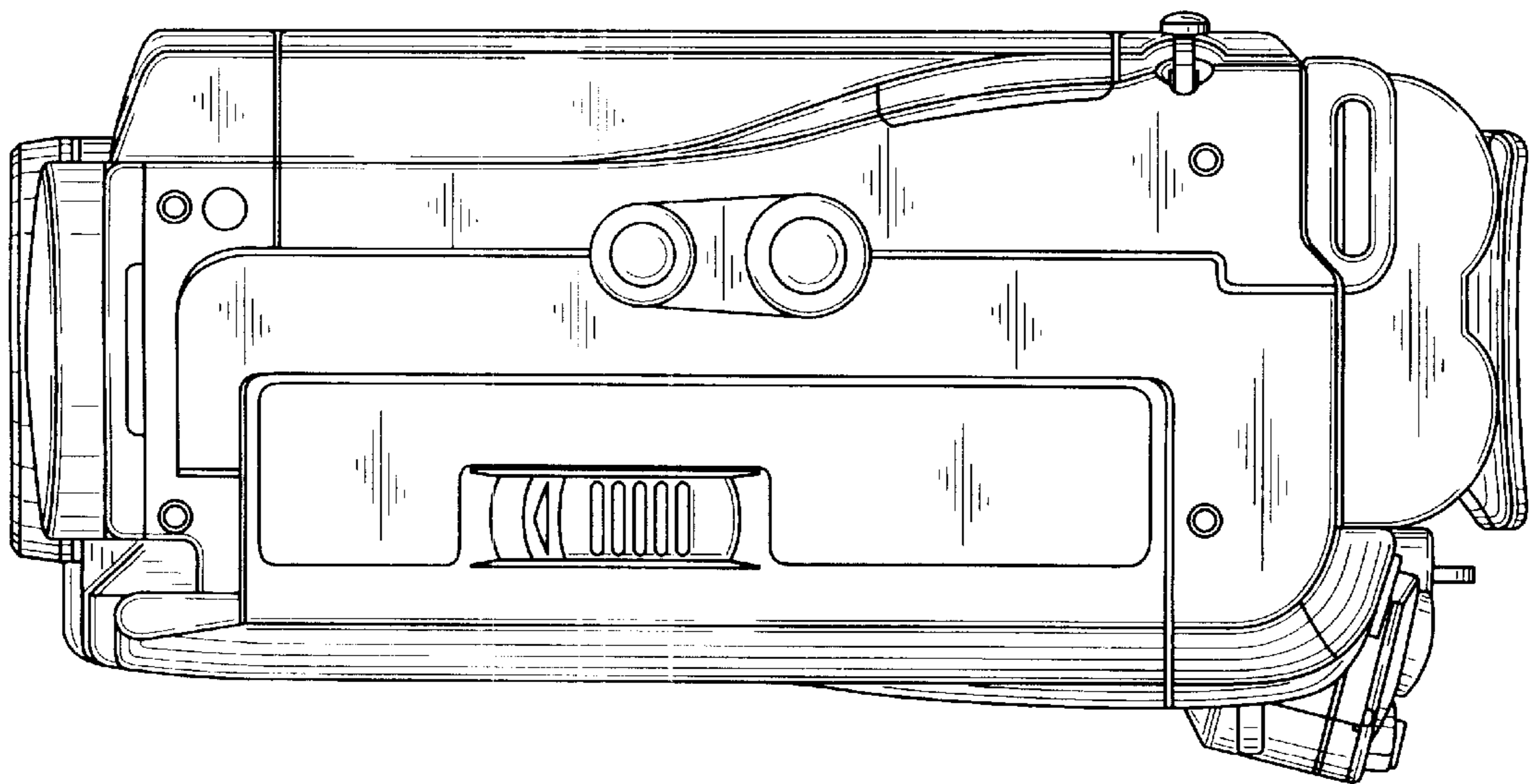


FIG. 5

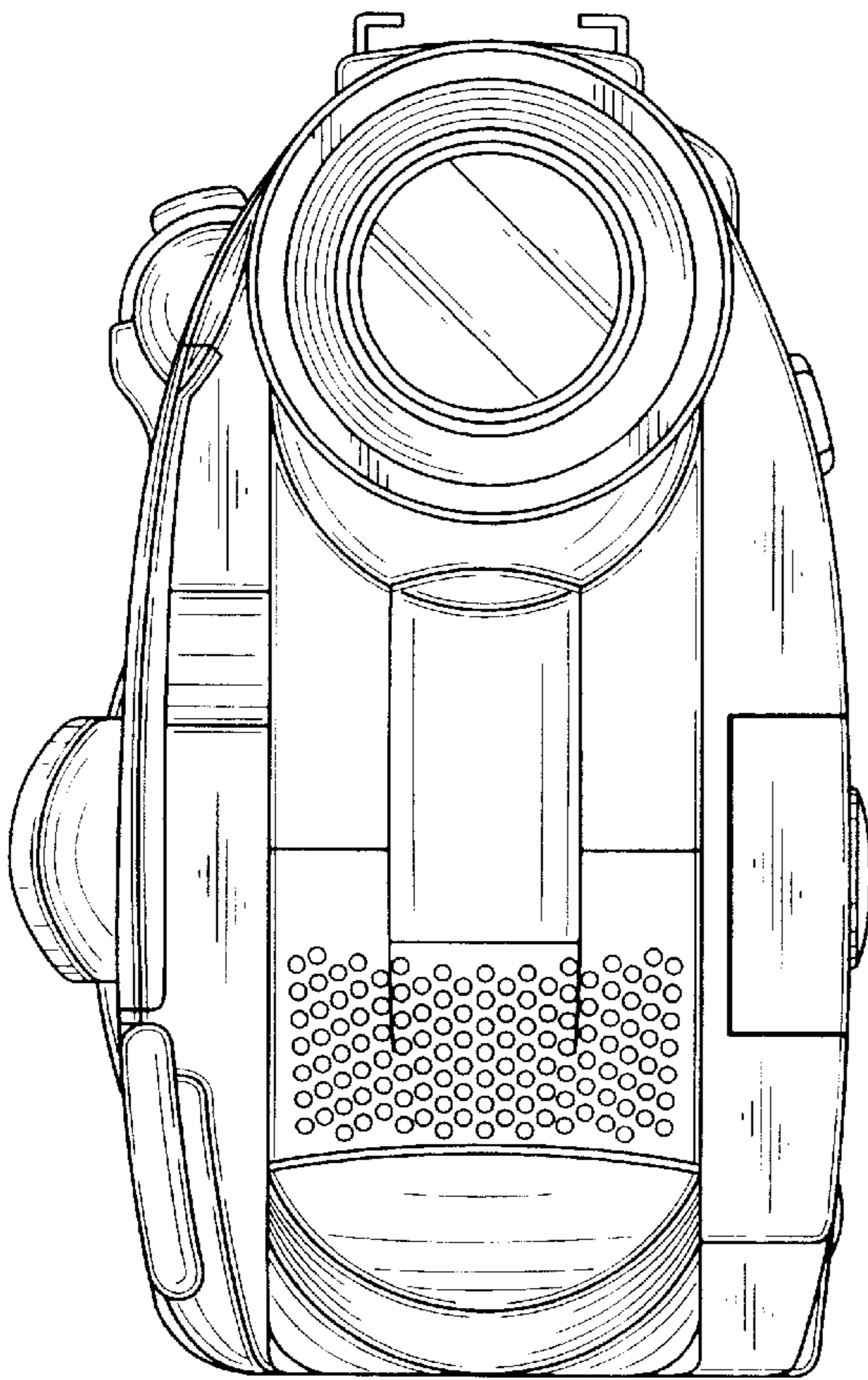


FIG. 6

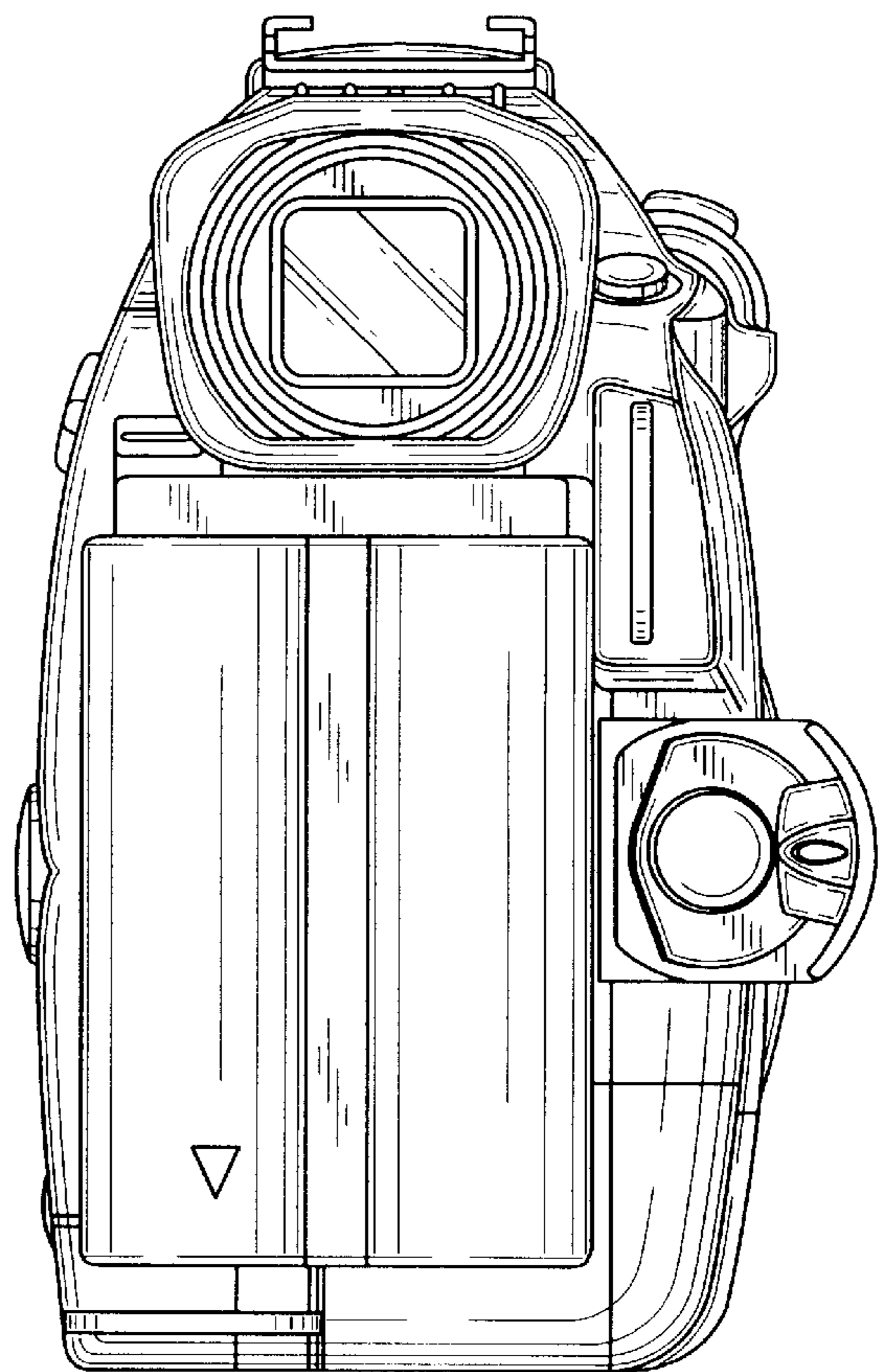


FIG. 7

