



US00D442614S

(12) **United States Design Patent**  
**Sumita**

(10) **Patent No.:** **US D442,614 S**

(45) **Date of Patent:** **\*\* May 22, 2001**

(54) **ELECTRONIC STILL CAMERA WITH A MONITOR**

(75) Inventor: **Kaoru Sumita**, Tokyo (JP)

(73) Assignee: **Sony Corporation**, Tokyo (JP)

(\*\*) Term: **14 Years**

(21) Appl. No.: **29/119,440**

(22) Filed: **Feb. 28, 2000**

(51) **LOC (7) Cl.** ..... **16-01**

(52) **U.S. Cl.** ..... **D16/202**

(58) **Field of Search** ..... D16/200-206,  
D16/208; 348/373-376; 358/909.1, 906;  
396/535-541

(56) **References Cited**

**U.S. PATENT DOCUMENTS**

D. 371,377	*	7/1996	Miyahara	.....	D16/202
D. 384,088	*	9/1997	Isozaki et al.	.....	D16/202
D. 384,963	*	10/1997	Sekita	.....	D16/202
D. 403,687	*	1/1999	Sekita	.....	D16/202
D. 424,084	*	5/2000	Senda	.....	D16/202
D. 425,091	*	5/2000	Konno et al.	.....	D16/202

**OTHER PUBLICATIONS**

“Point Network 48” (Olympus C-2000ZOOM, Fuji Film/Fine picks 2900, Nikon COOLPIX700) Yodobashi Camera; Jun. 17, 1999; pp. 5 & 39.

“92”(MVC-FD88K, MVC-FD83K, MVC-FD73K, MVC-FD81 & MVC-FD71) Sony, Jul. 1999; pp. 215 & 216.

\* cited by examiner

*Primary Examiner*—Adir Aronovich

(74) *Attorney, Agent, or Firm*—Rader, Fishman & Grauer

(57) **CLAIM**

The ornamental design for an electronic still camera with a monitor, as shown and described.

**DESCRIPTION**

FIG. 1 is a perspective view of an electronic still camera with a monitor showing my design;

FIG. 2 is a top plan view thereof;

FIG. 3 is a bottom plan view thereof;

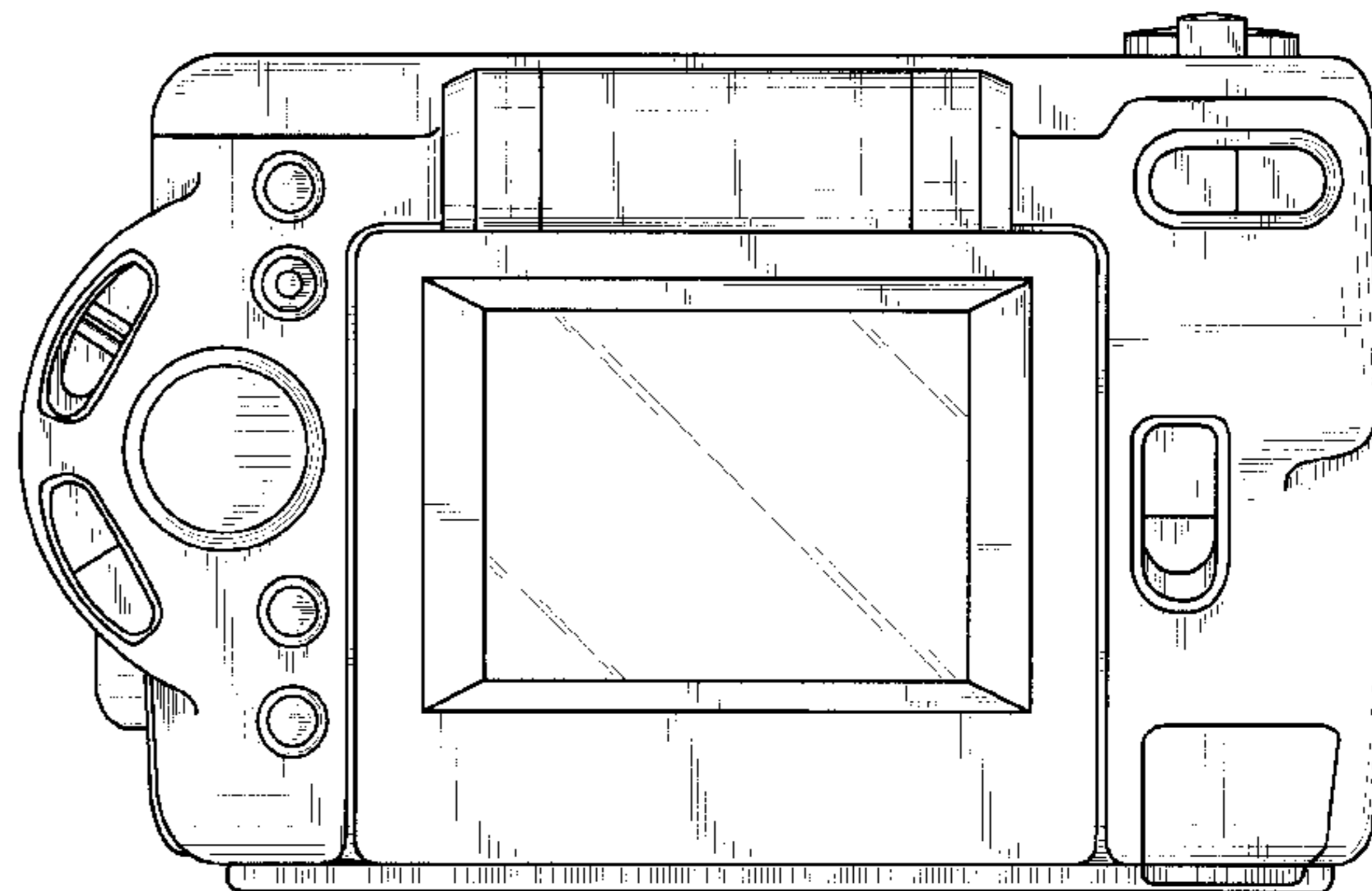
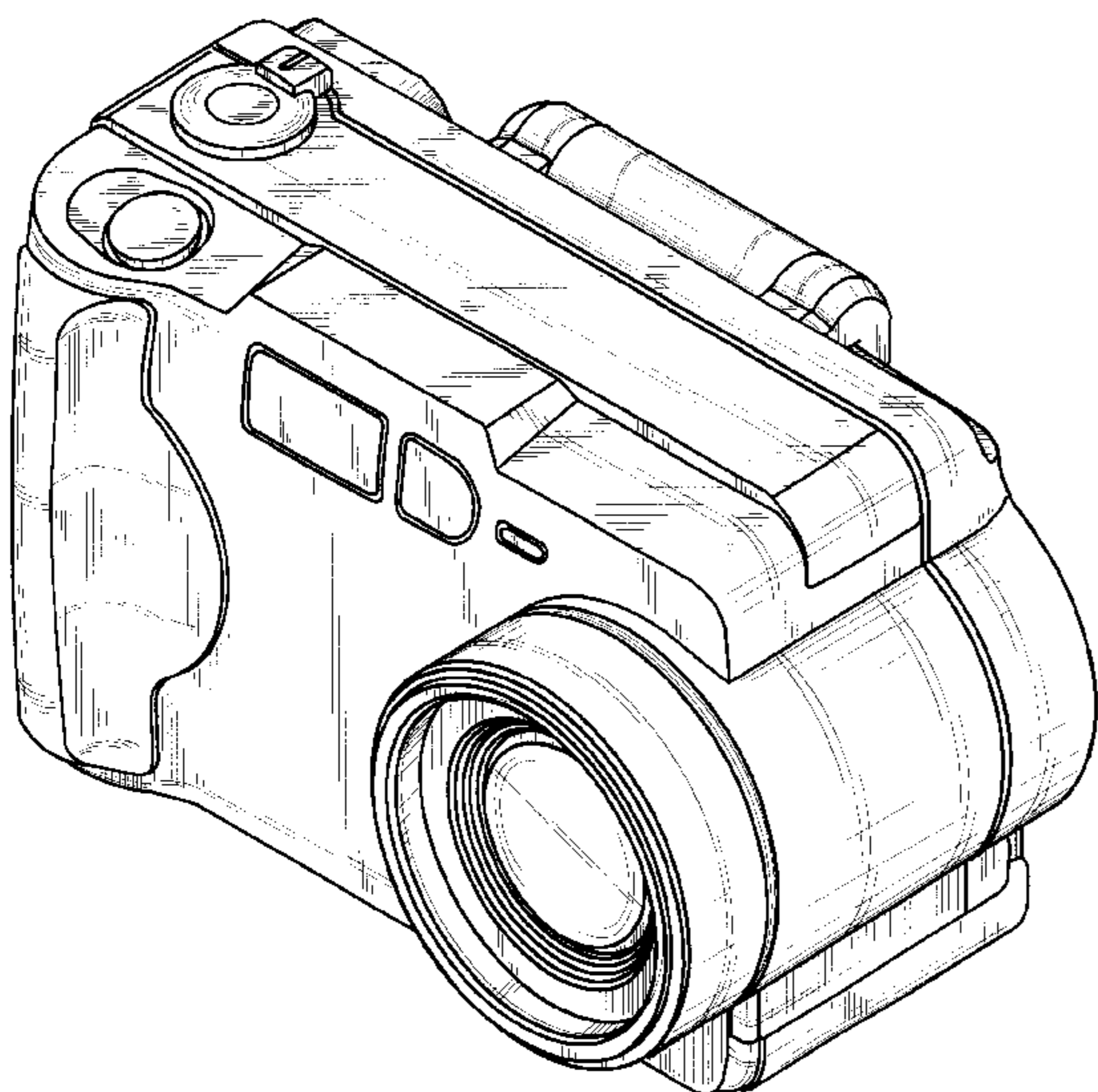
FIG. 4 is a left side elevational view thereof;

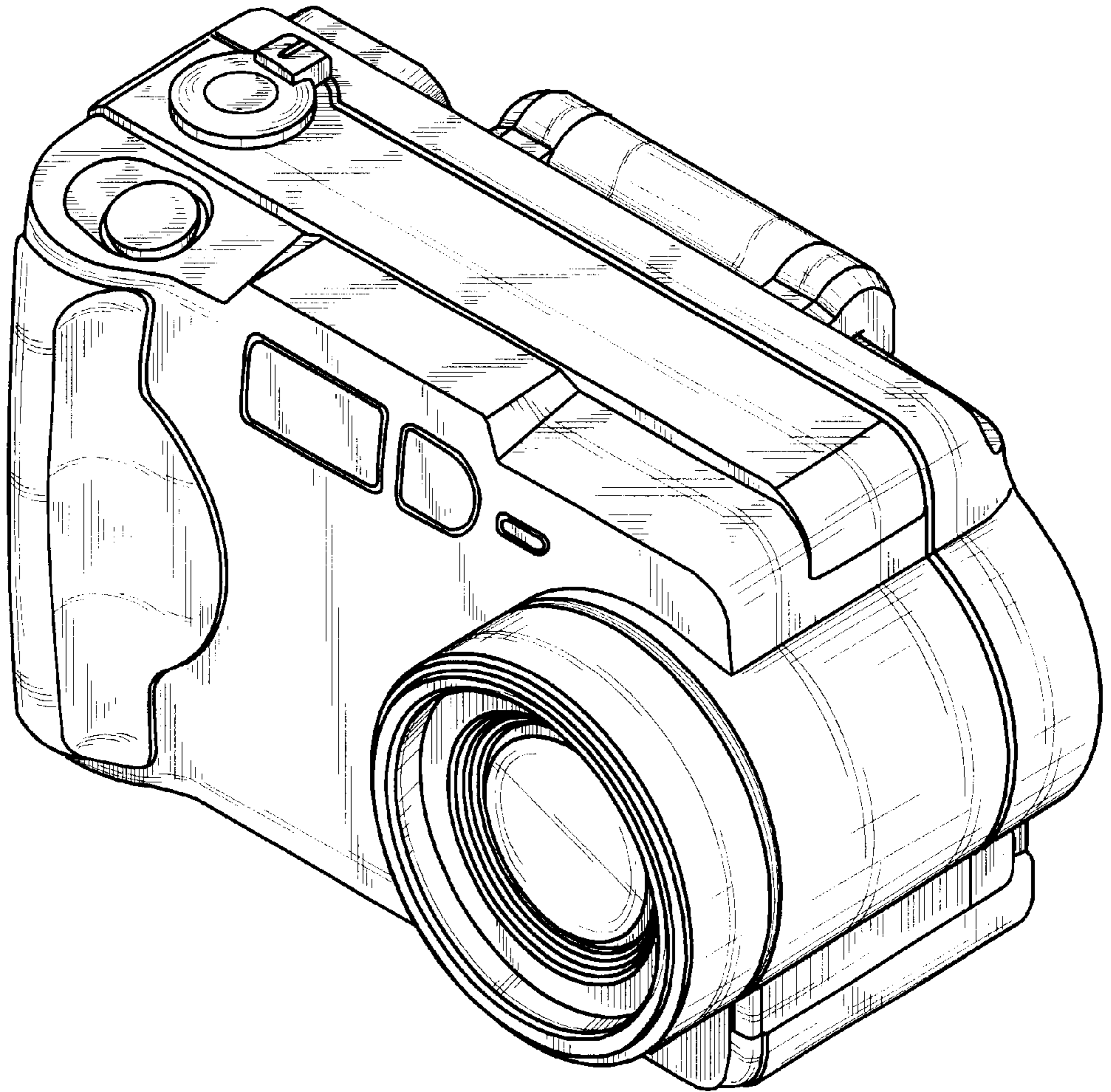
FIG. 5 is a right side elevational view thereof;

FIG. 6 is a front elevational view thereof; and,

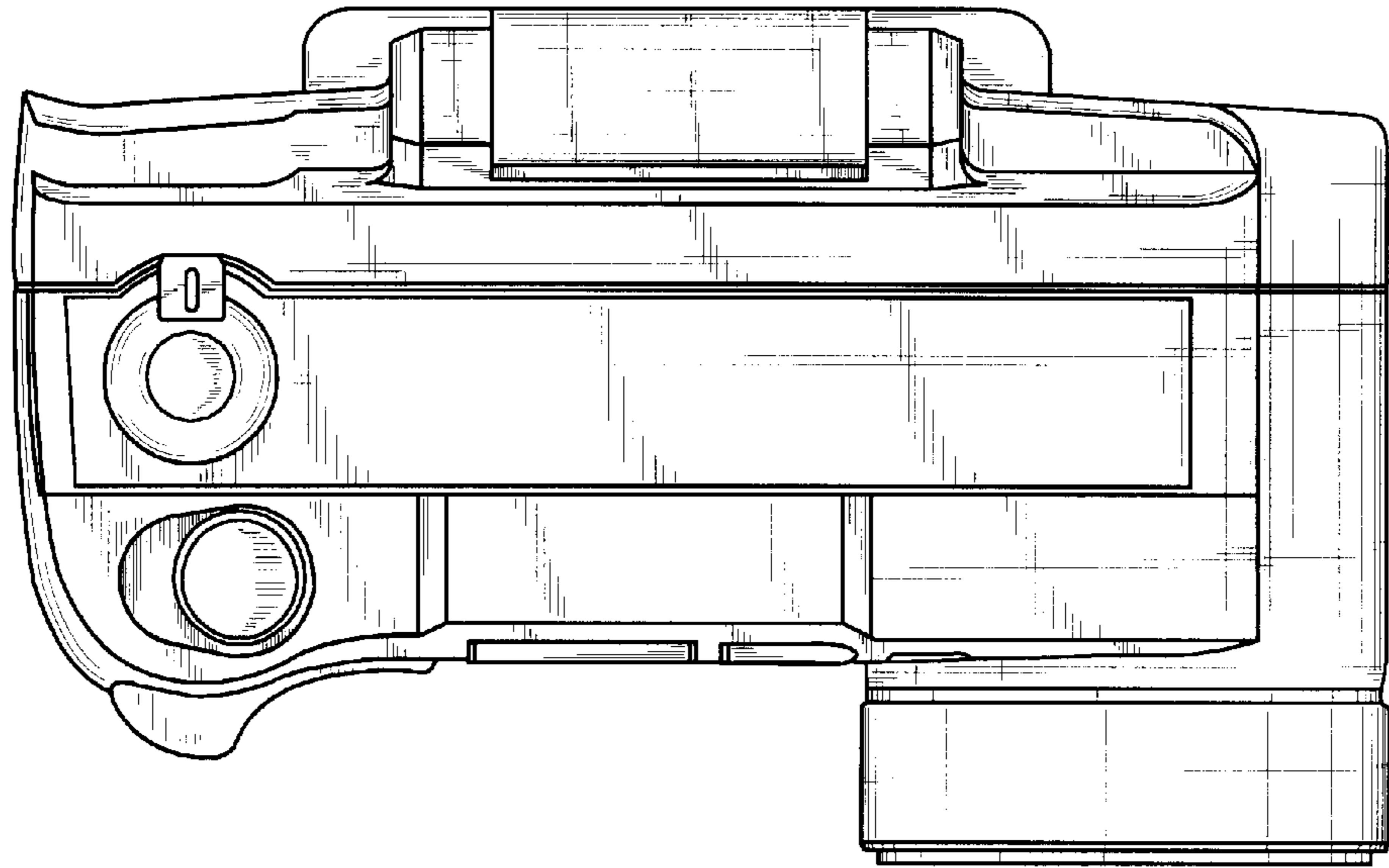
FIG. 7 is a rear elevational view thereof.

**1 Claim, 4 Drawing Sheets**

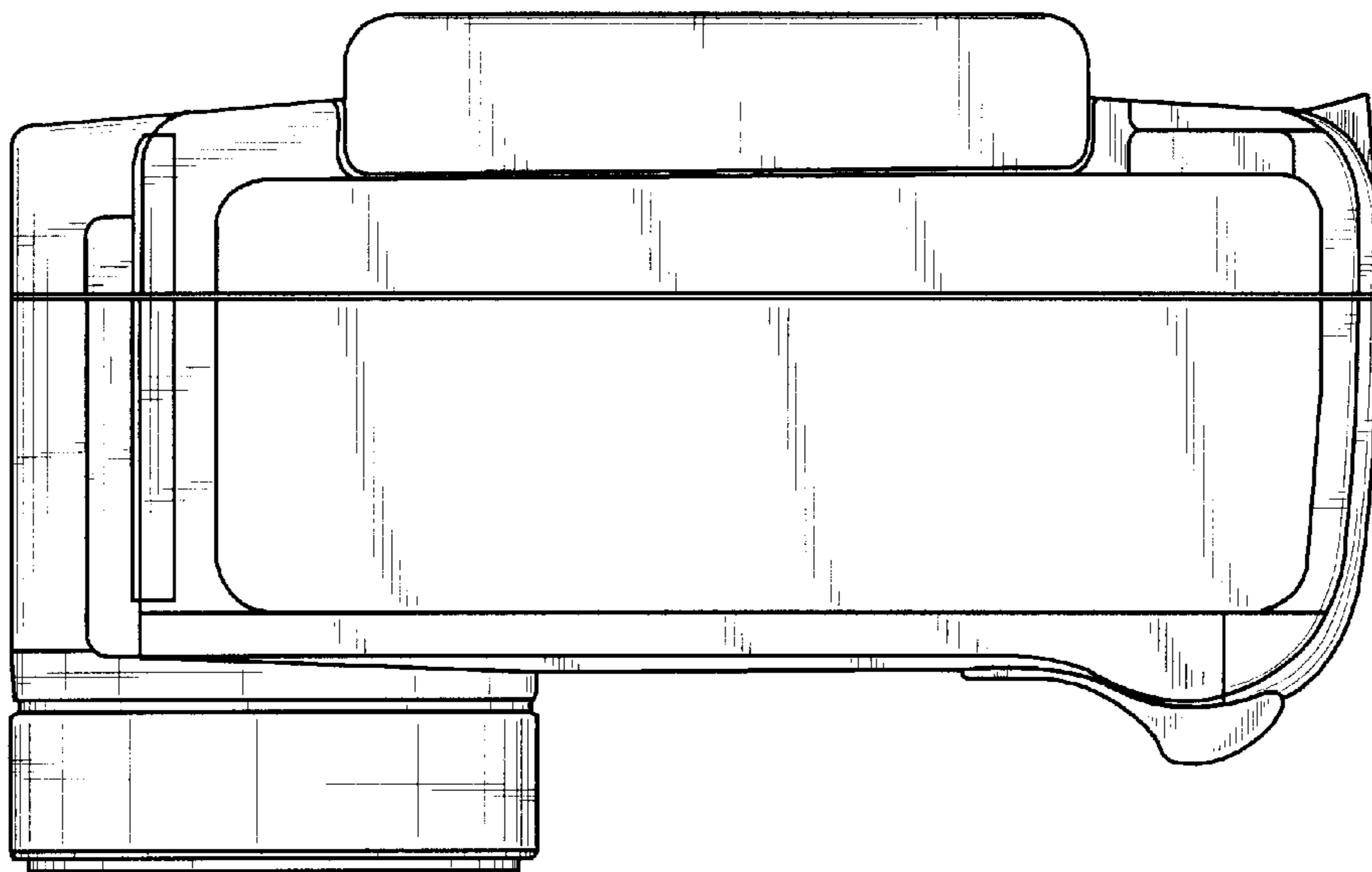




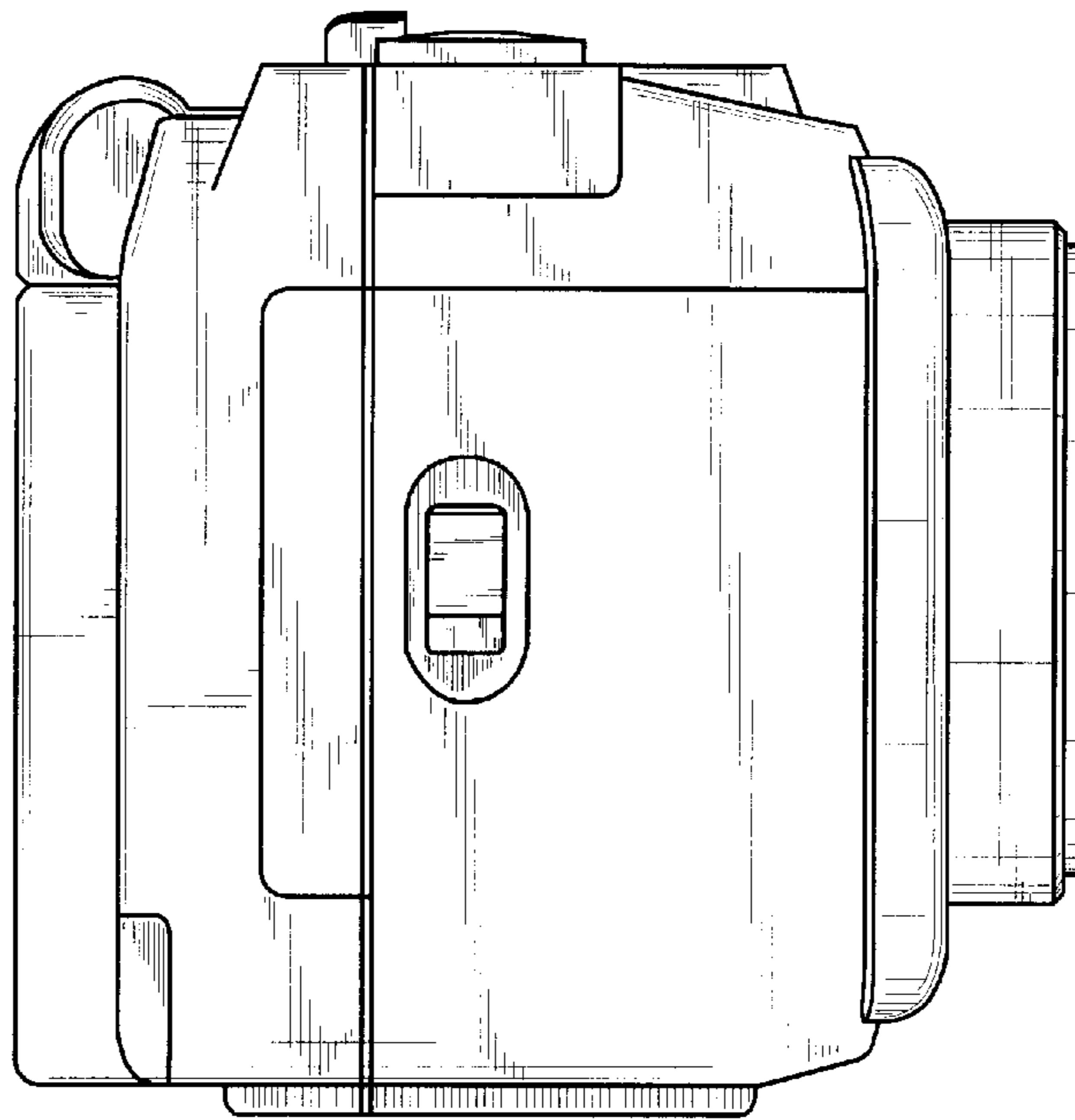
**Fig. 1**



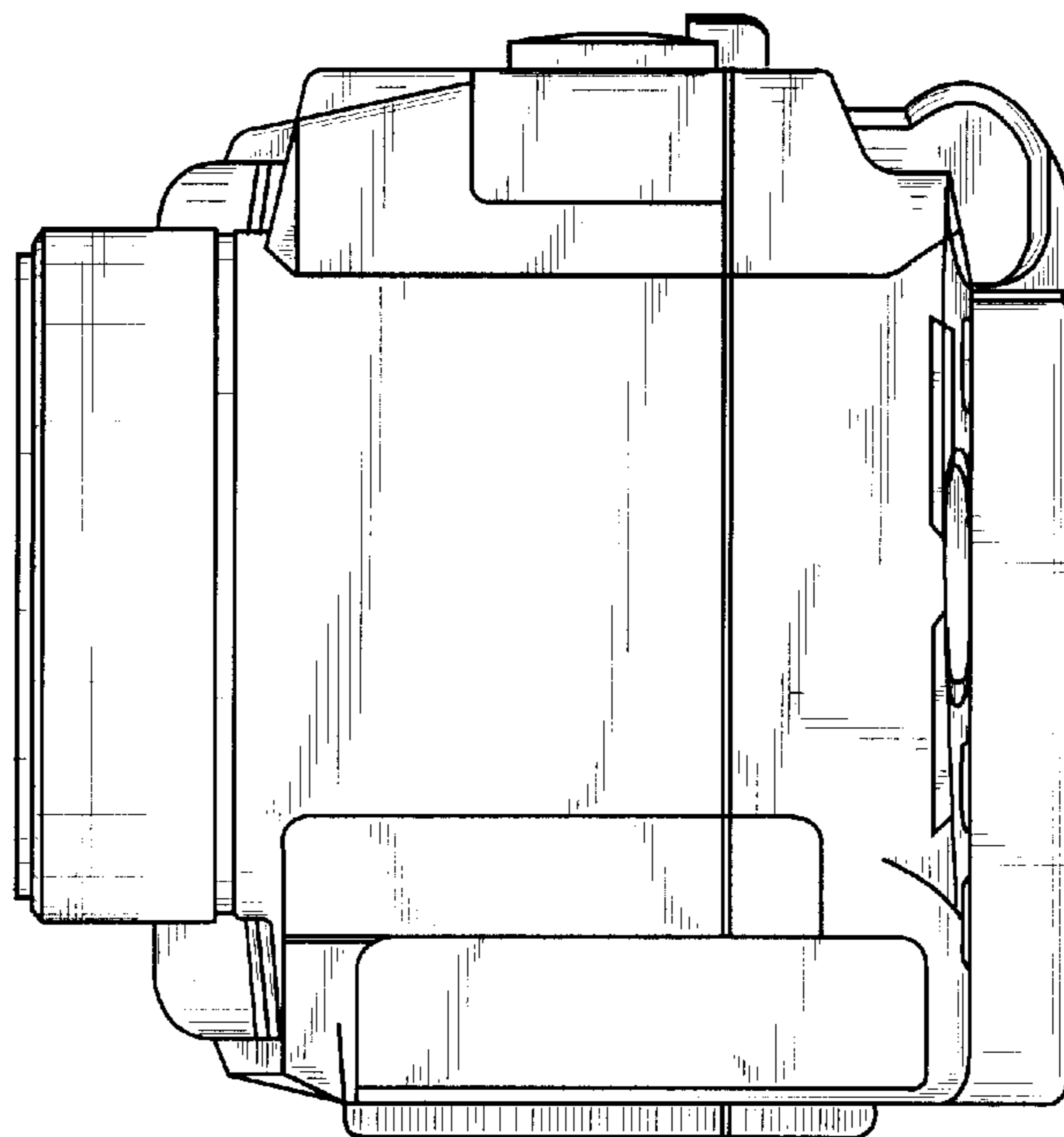
**Fig. 2**



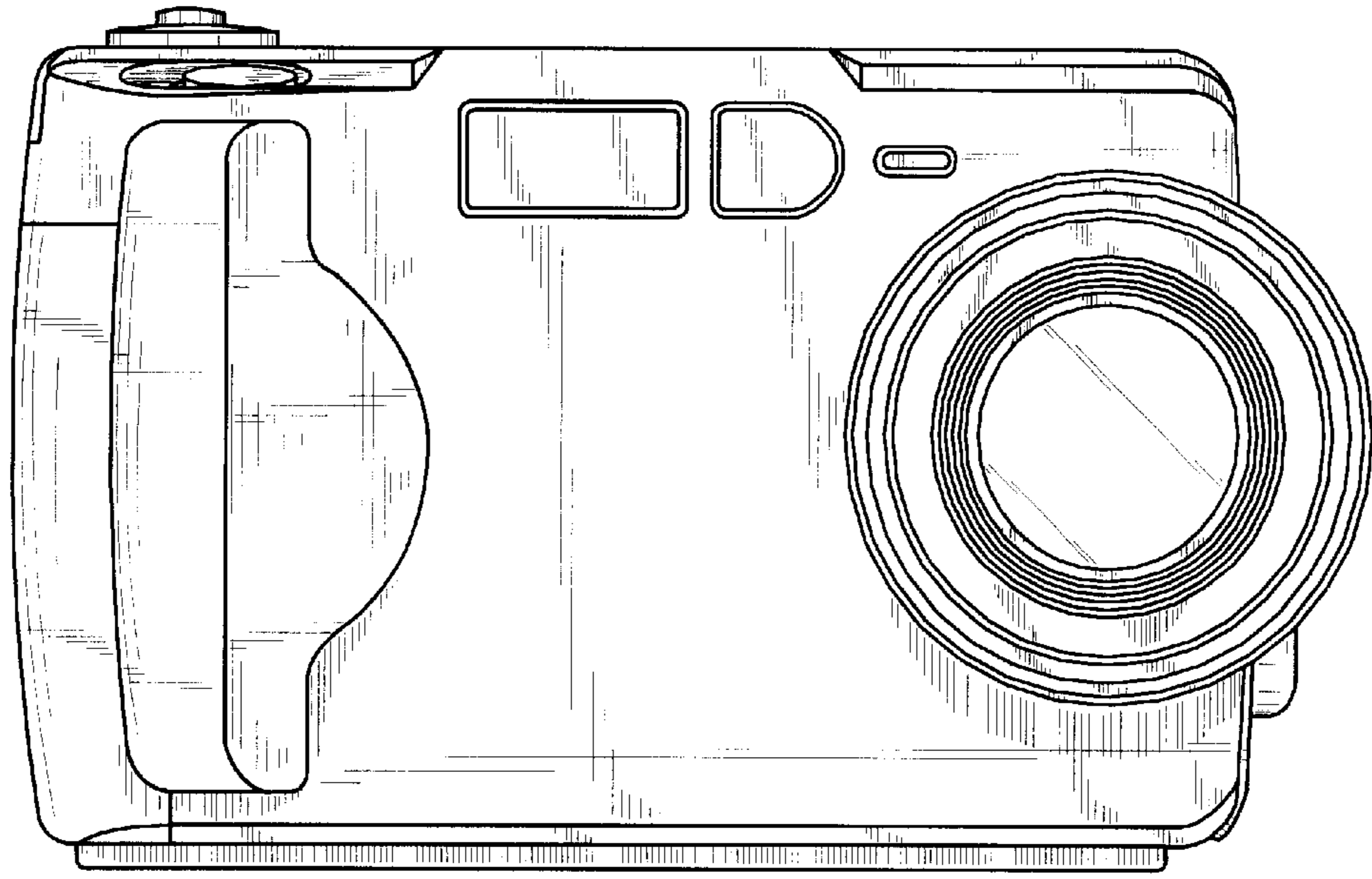
**Fig. 3**



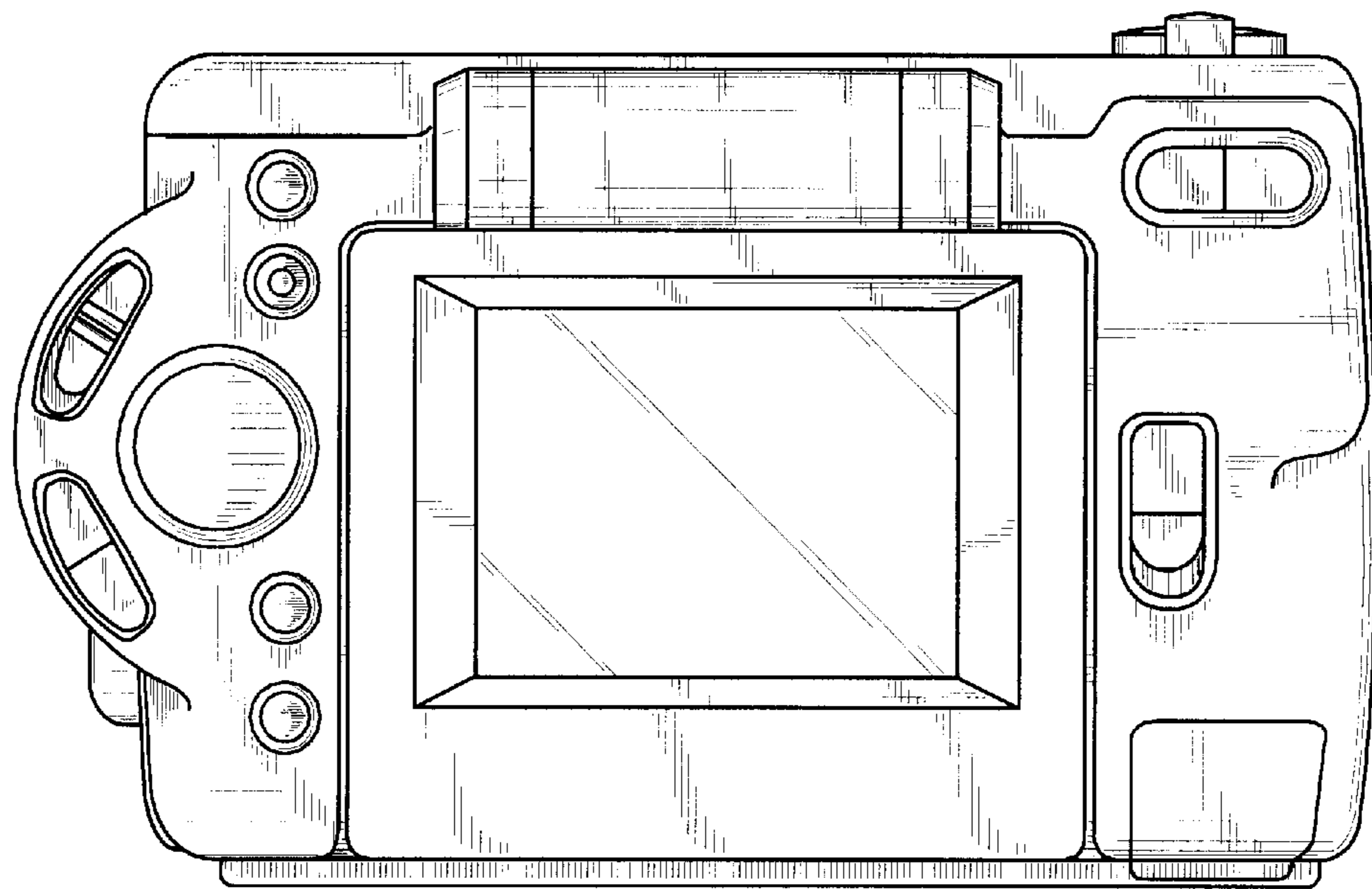
**Fig. 4**



**Fig. 5**



**Fig. 6**



**Fig. 7**