



US00D442611S

(12) **United States Design Patent**
Krohmer et al.

(10) **Patent No.:** **US D442,611 S**

(45) **Date of Patent:** **** May 22, 2001**

(54) **BAND SAW TABLE**

D. 361,775 * 8/1995 Josephson D15/133
5,584,217 * 12/1996 Sartori et al. 83/468

(75) Inventors: **Steve D. Krohmer**, Coon Rapids;
James J. Frey, Edina, both of MN
(US)

* cited by examiner

Primary Examiner—Antoine Duval Davis

(73) Assignee: **Rockler Companies, Inc.**, Medina, MN
(US)

(74) *Attorney, Agent, or Firm*—Gerald E. Helget; Rider,
Bennett, Egan & Arundel

(**) Term: **14 Years**

(57) **CLAIM**

The ornamental design for a band saw table, as shown and described.

(21) Appl. No.: **29/122,138**

(22) Filed: **Apr. 19, 2000**

DESCRIPTION

(51) **LOC (7) Cl.** **15-09**

(52) **U.S. Cl.** **D15/133; D15/140; D15/141**

(58) **Field of Search** D15/133, 134,
D15/140, 141; 83/814–819, 72, 76.7, 35,
581, 435.12, 435.11, 437.1, 821, 471.3,
468, 468.2; 144/144.51

FIG. 1 is a perspective view;

FIG. 2 is a top plan view;

FIG. 3 is a front elevational view;

FIG. 4 is a right side elevational view;

FIG. 5 is a bottom plan view;

FIG. 6 is a rear elevational view; and,

FIG. 7 is a left side elevational view.

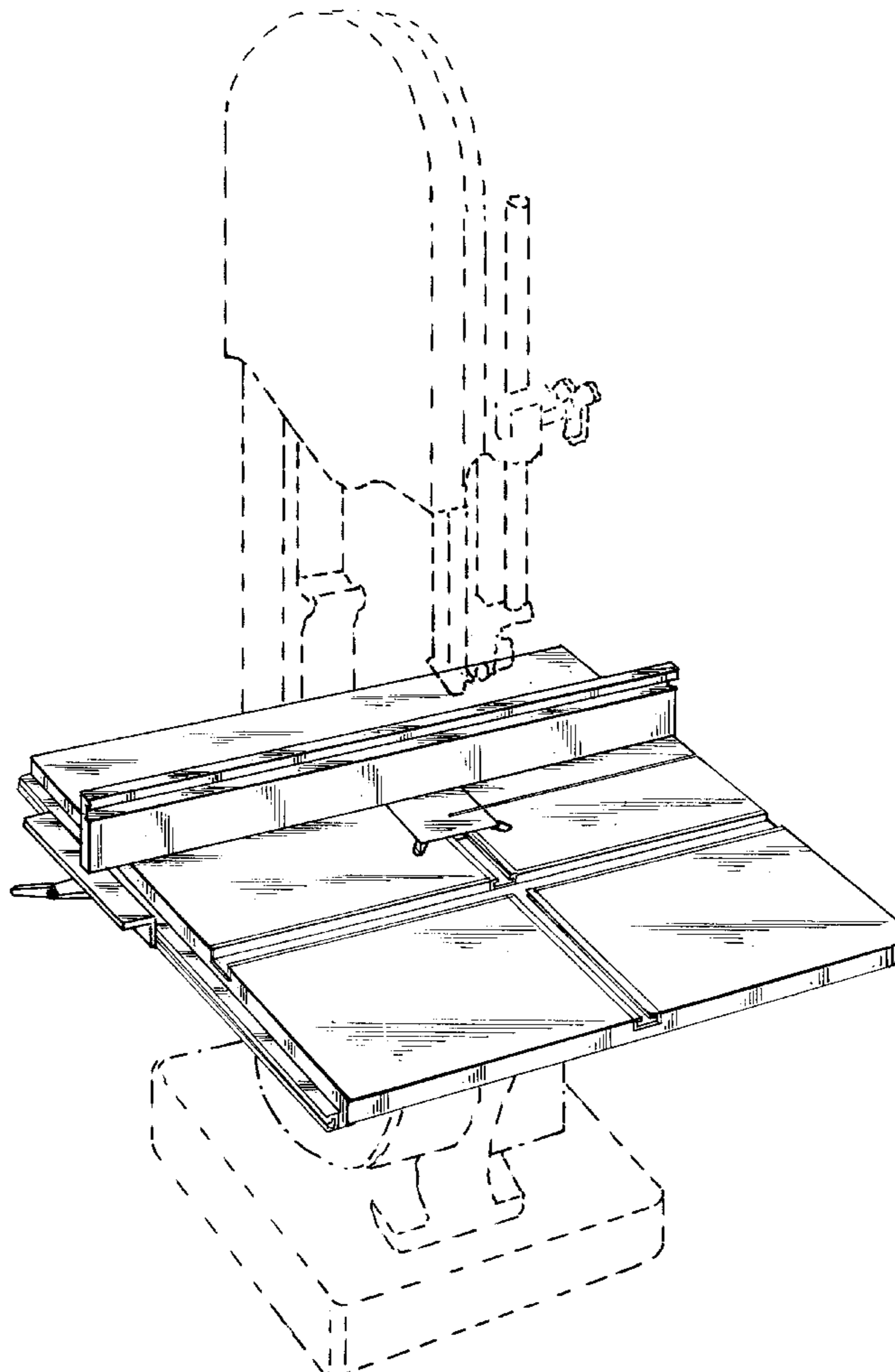
Any broken line illustration of environmental structure is not part of the design sought to be patented.

(56) **References Cited**

U.S. PATENT DOCUMENTS

D. 327,486 * 6/1992 Watanabe D15/133

1 Claim, 3 Drawing Sheets



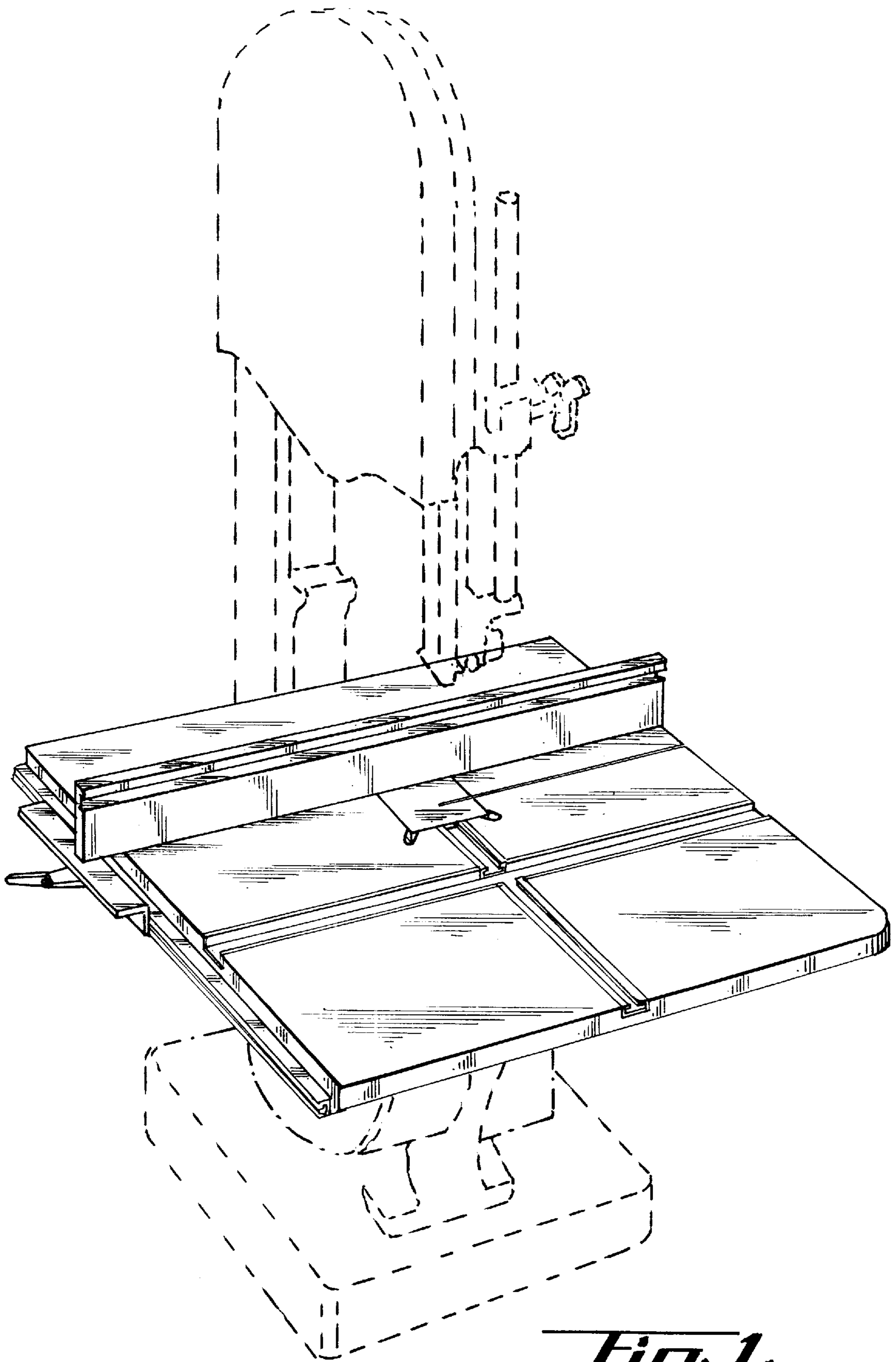


Fig. 1.

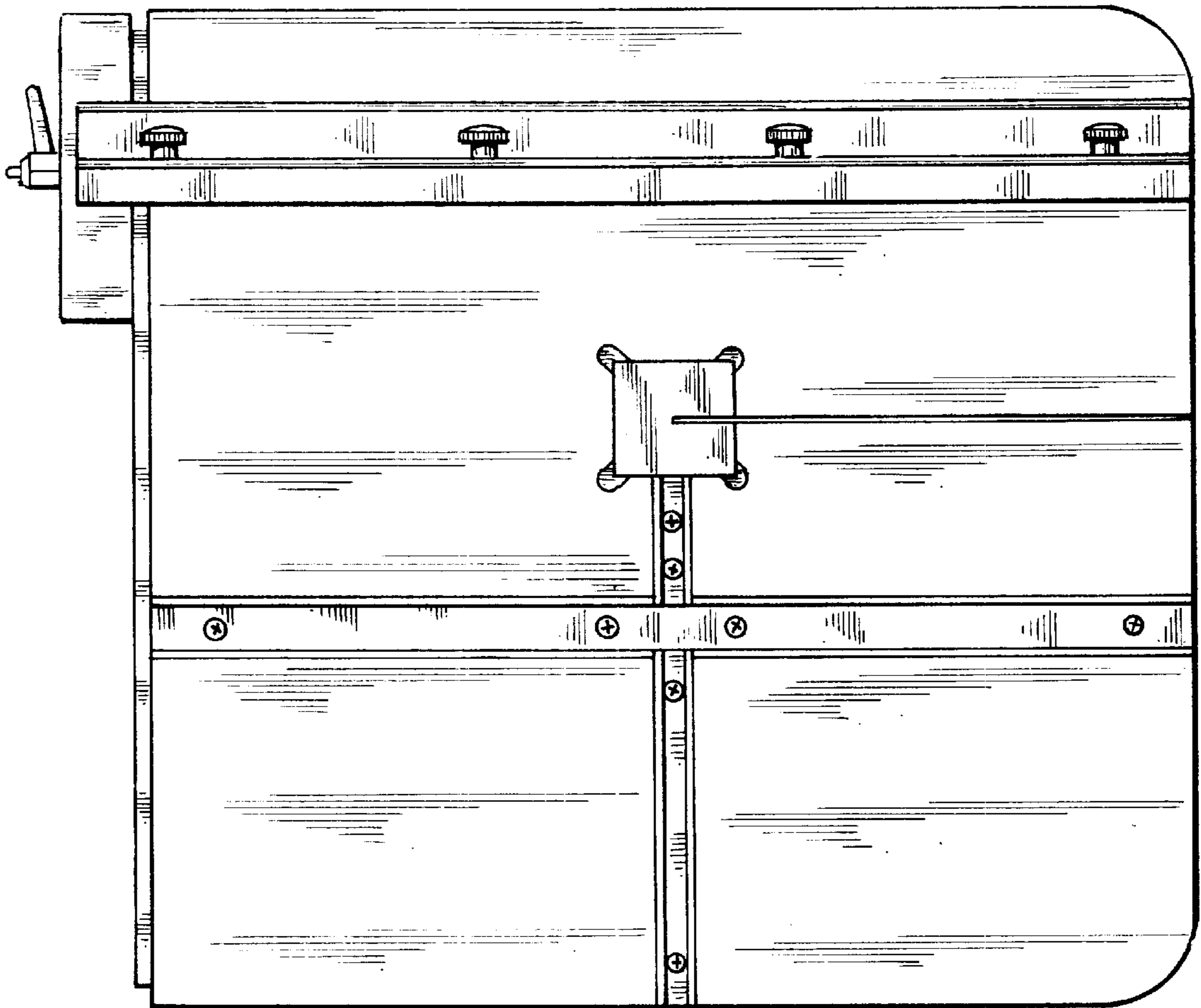


Fig. 2.

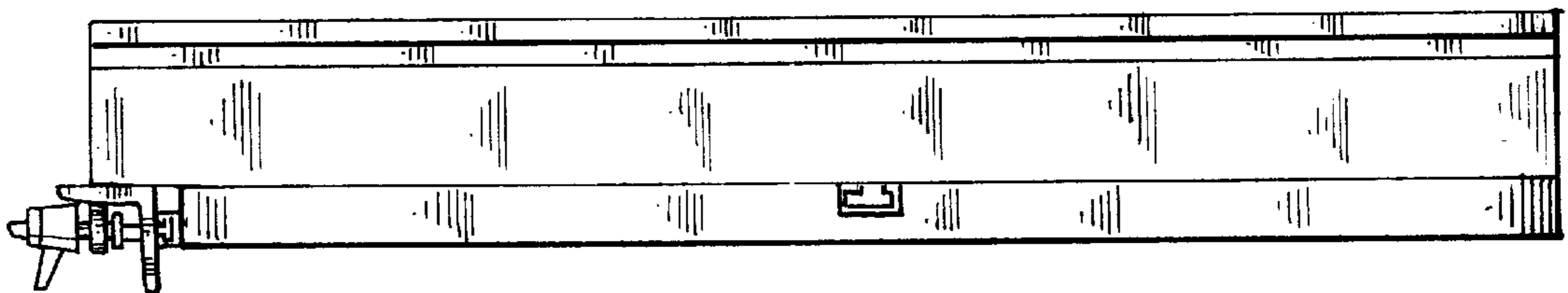


Fig. 3.

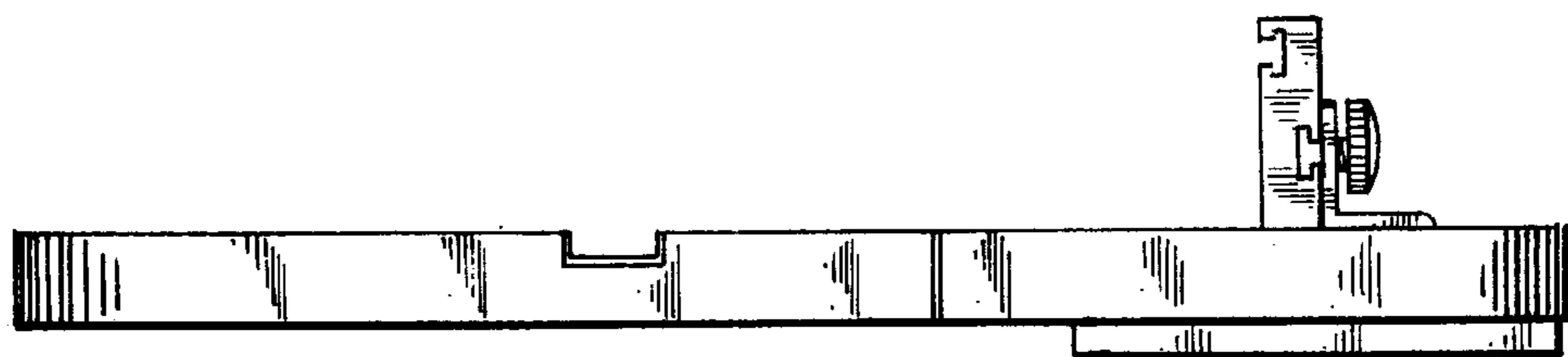


Fig. 4.

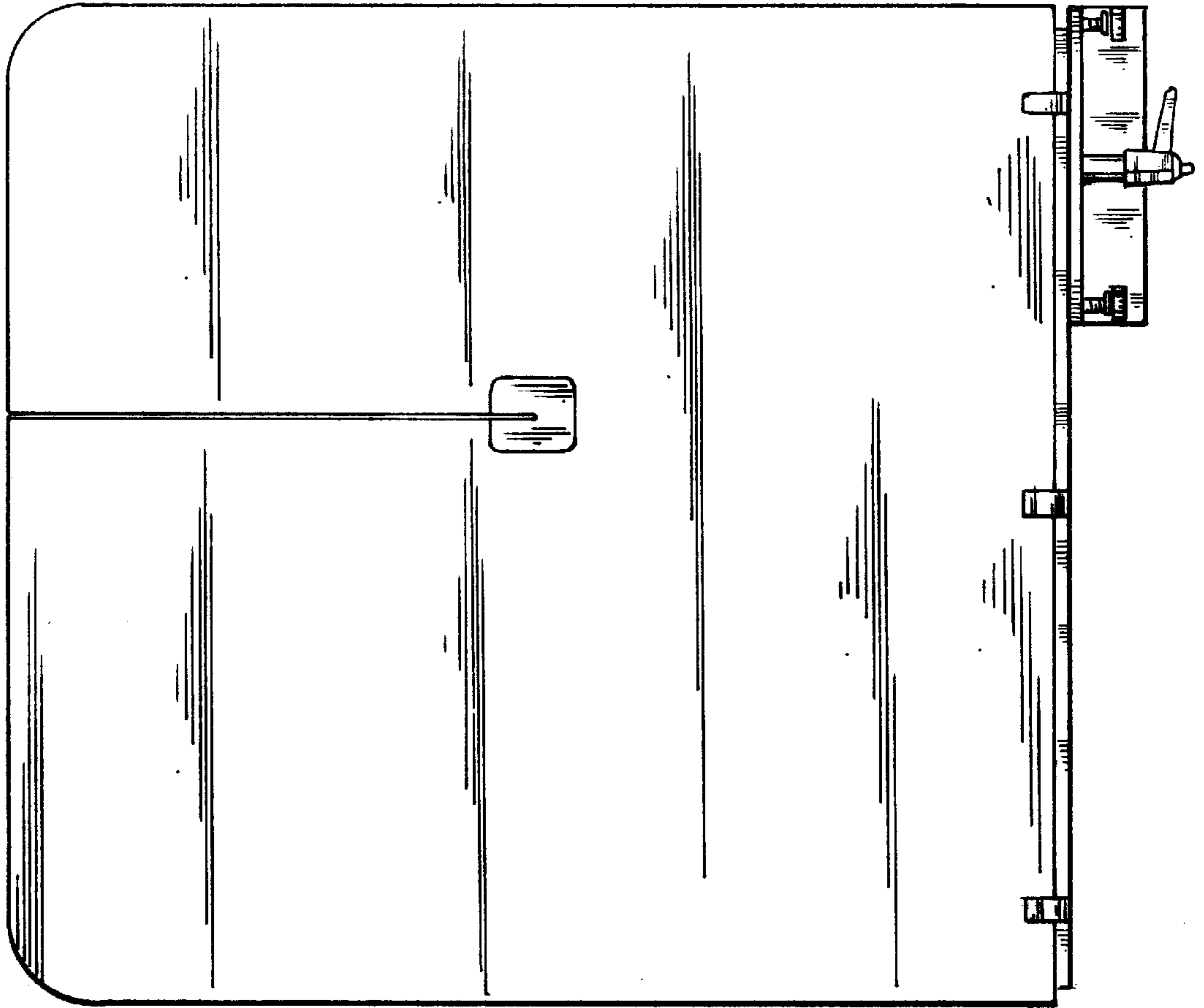


Fig. 5.

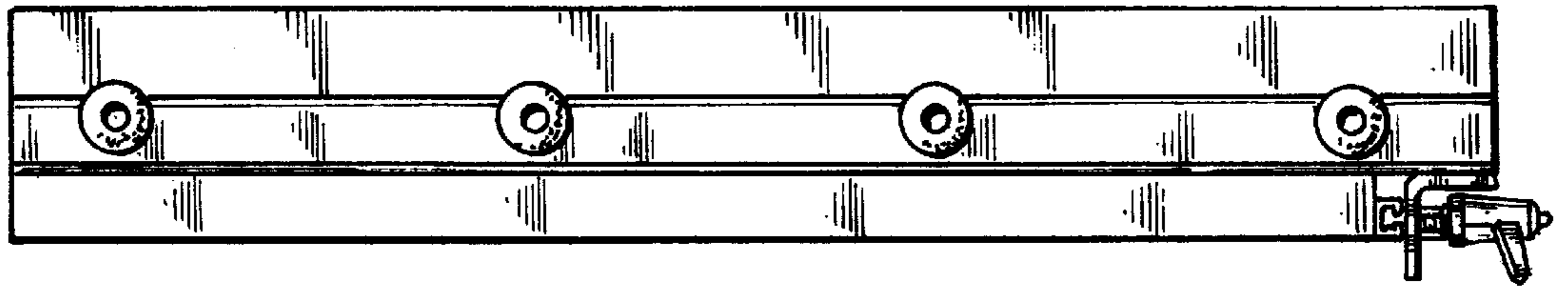


Fig. 6.

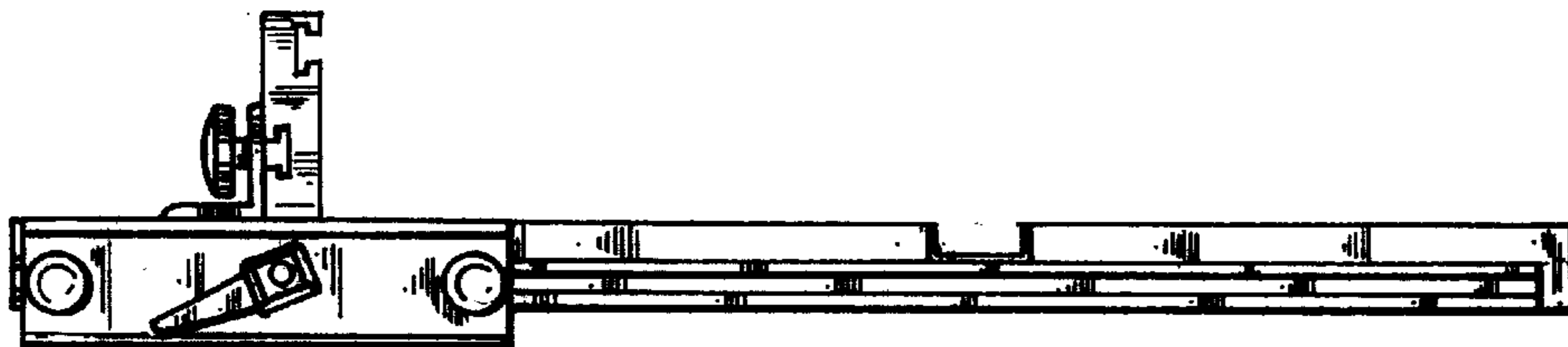


Fig. 7.