



US00D442610S

(12) **United States Design Patent**
Chang

(10) **Patent No.:** **US D442,610 S**

(45) **Date of Patent:** **** May 22, 2001**

(54) **WOOD PLANING MACHINE**

D. 323,833 * 2/1992 Brickner D15/127
D. 397,122 * 8/1998 Welsh D15/127

(75) Inventor: **Chiu-Tsun Chang**, Taichung (TW)

* cited by examiner

(73) Assignee: **P&F Brother Industrial Corporation**,
Taichung (TW)

Primary Examiner—Antoine Duval Davis

(**) Term: **14 Years**

(74) *Attorney, Agent, or Firm*—Brinks Hofer Gilson &
Lione

(21) Appl. No.: **29/128,966**

(57) **CLAIM**

(22) Filed: **Sep. 1, 2000**

The ornamental design for a wood planing machine, as
shown and described.

(51) **LOC (7) Cl.** **15-09**

DESCRIPTION

(52) **U.S. Cl.** **D15/127**

(58) **Field of Search** D15/122, 127;
144/112.1, 114.1, 117 R, 114 R, 124-127 A,
154.5, 129, 130, 218, 225, 228, 230, 242.5,
245.1, 246.1, 250.2, 253.2, 253.8, 253.5,
252.1, 375; 408/115 R, 241 S; 409/175,
181

FIG. 1 is a perspective view of wood planing machine
showing my new design;

FIG. 2 is a front elevational view thereof;

FIG. 3 is a rear elevational view thereof;

FIG. 4 is a left side elevational view thereof;

FIG. 5 is a right side elevational view thereof;

FIG. 6 is a top plan view thereof; and,

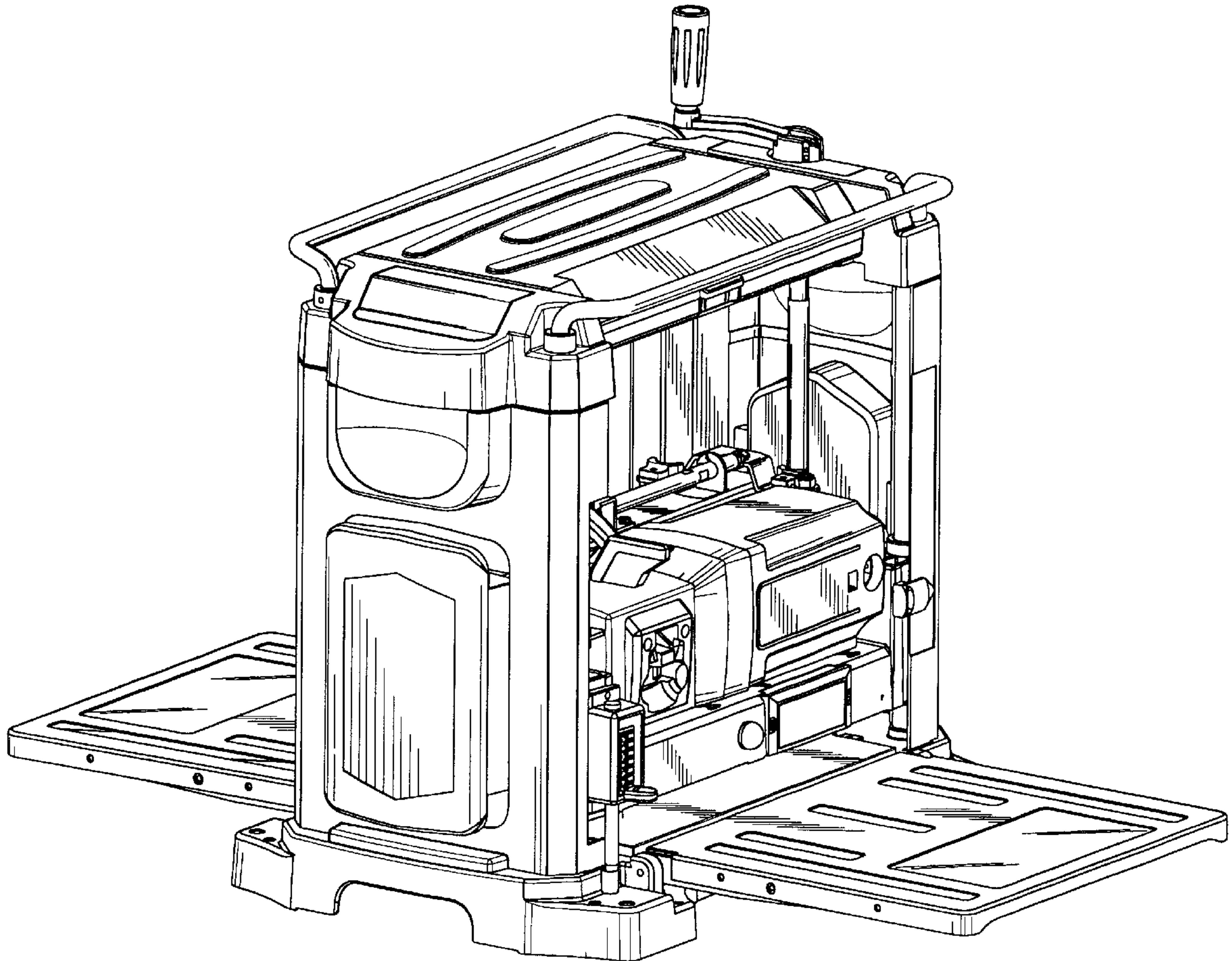
FIG. 7 is a bottom plan view thereof.

(56) **References Cited**

U.S. PATENT DOCUMENTS

D. 311,192 * 10/1990 Juang D15/127

1 Claim, 7 Drawing Sheets



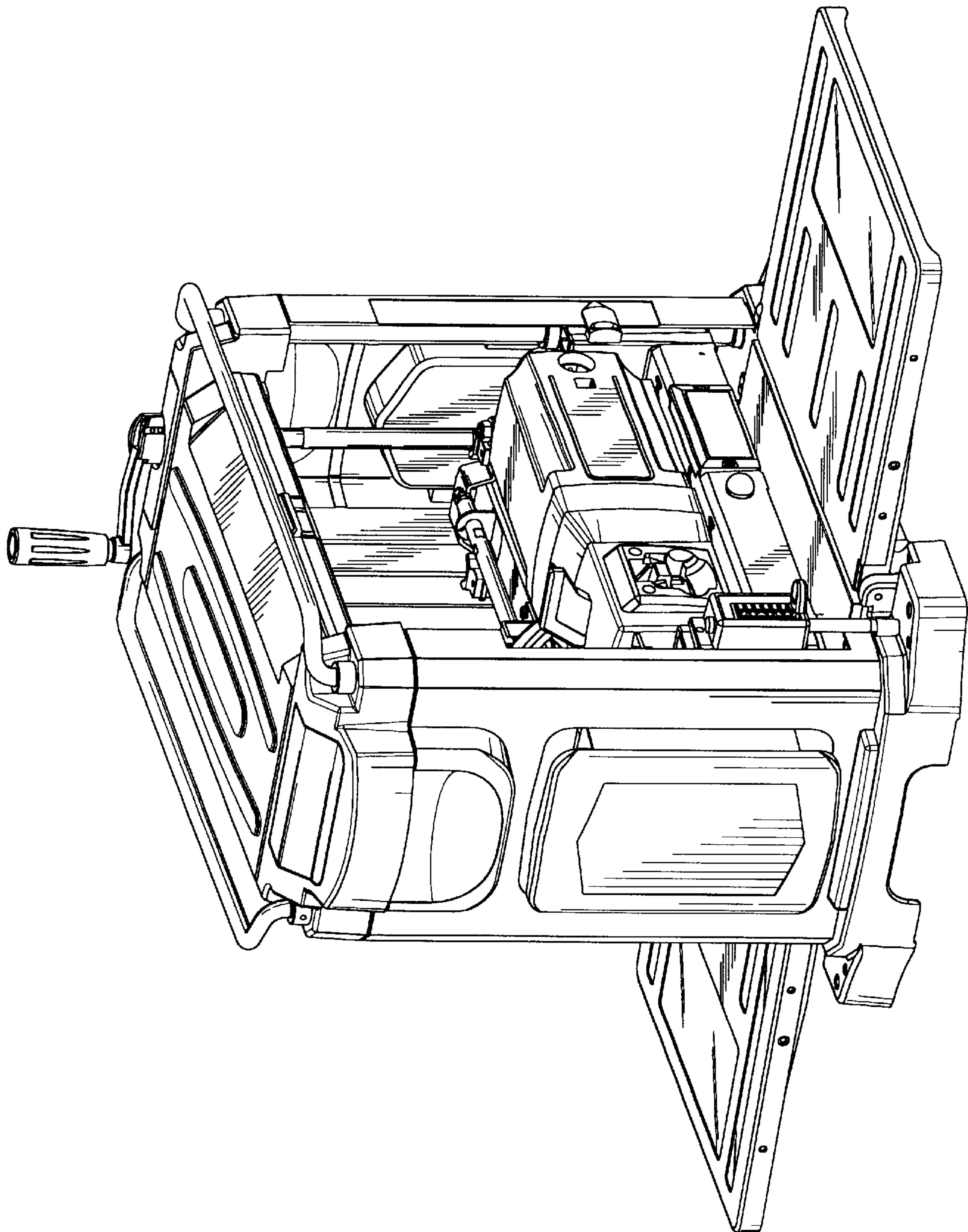


FIG. 1

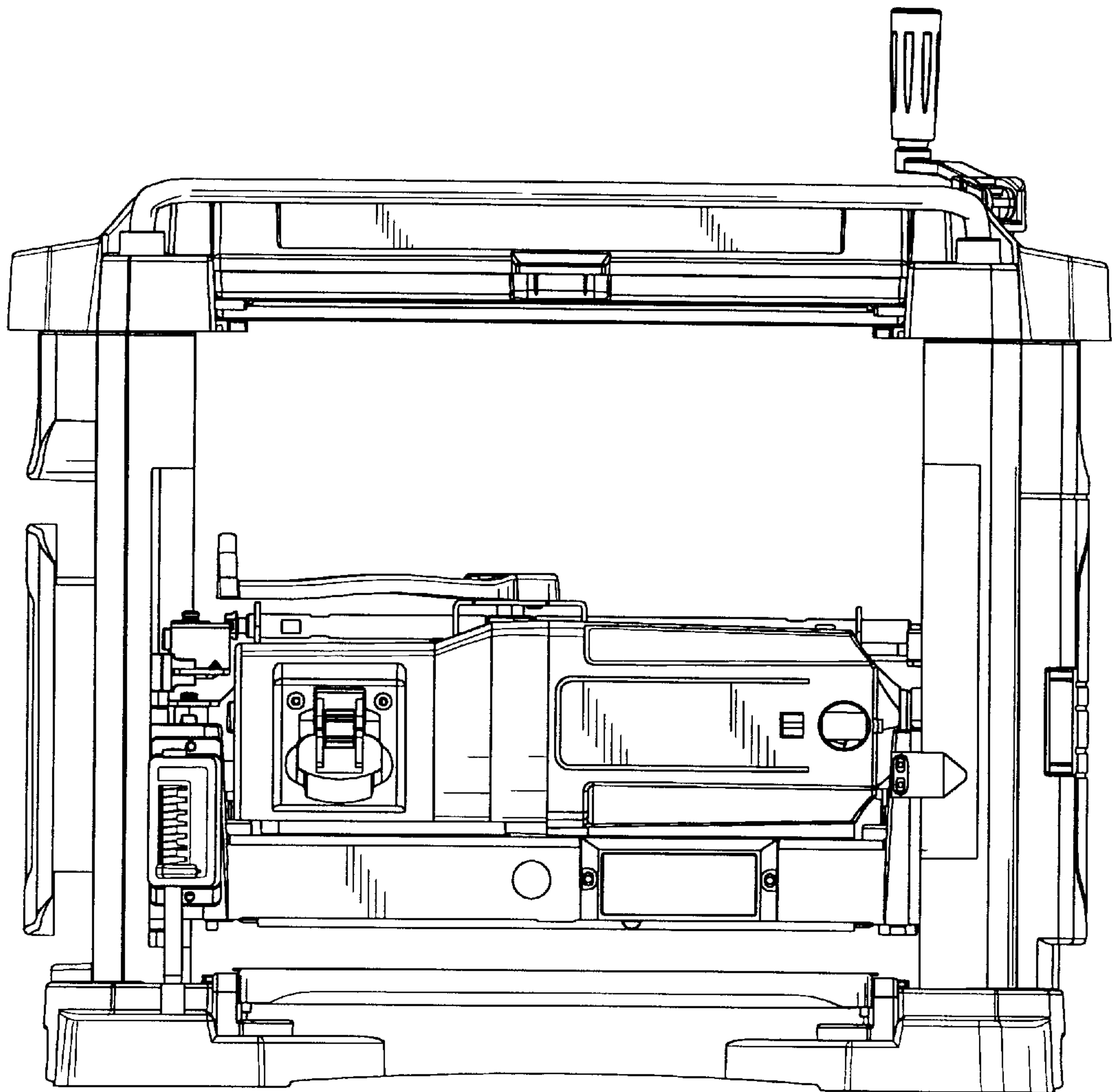


FIG. 2

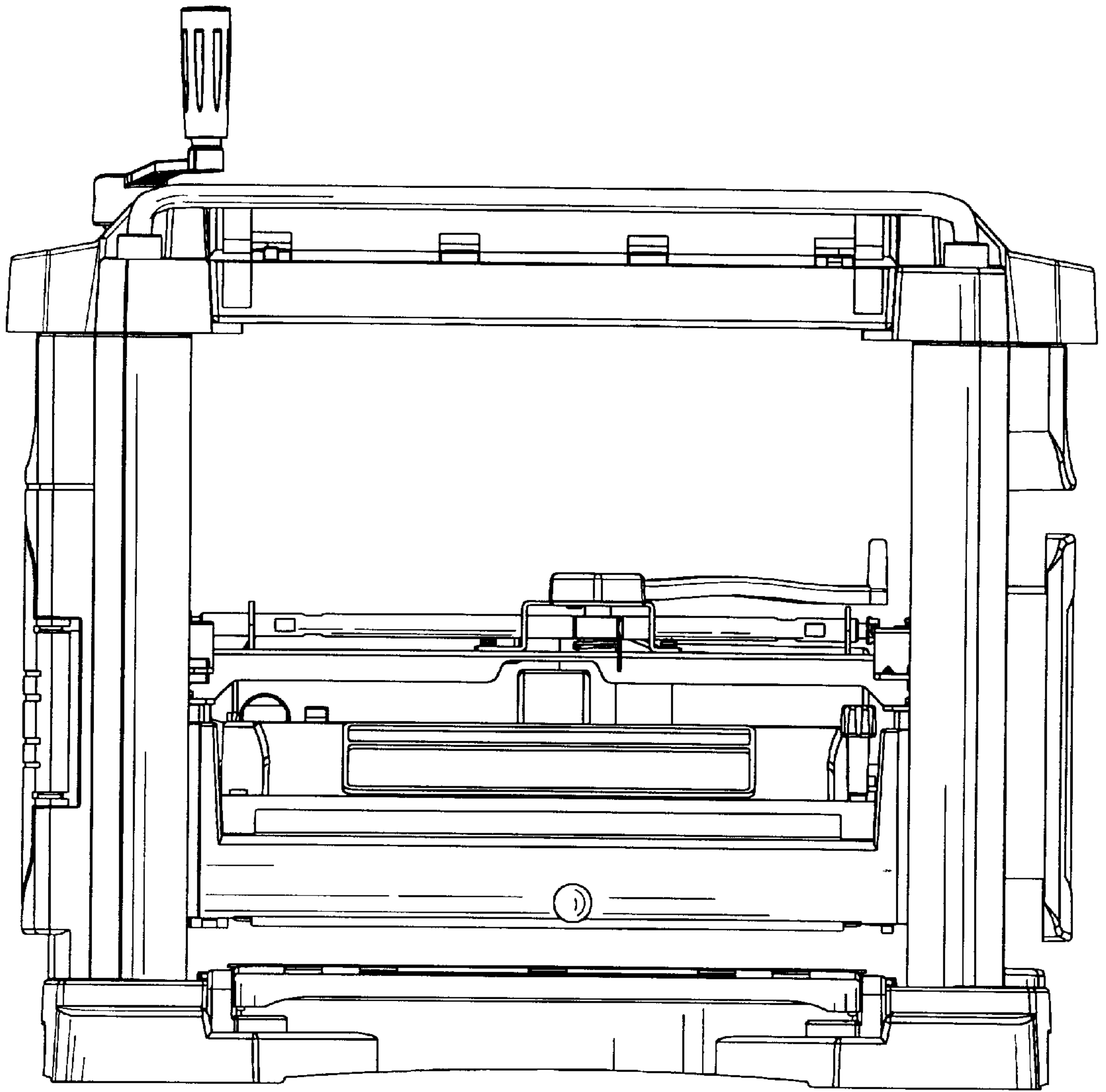


FIG. 3

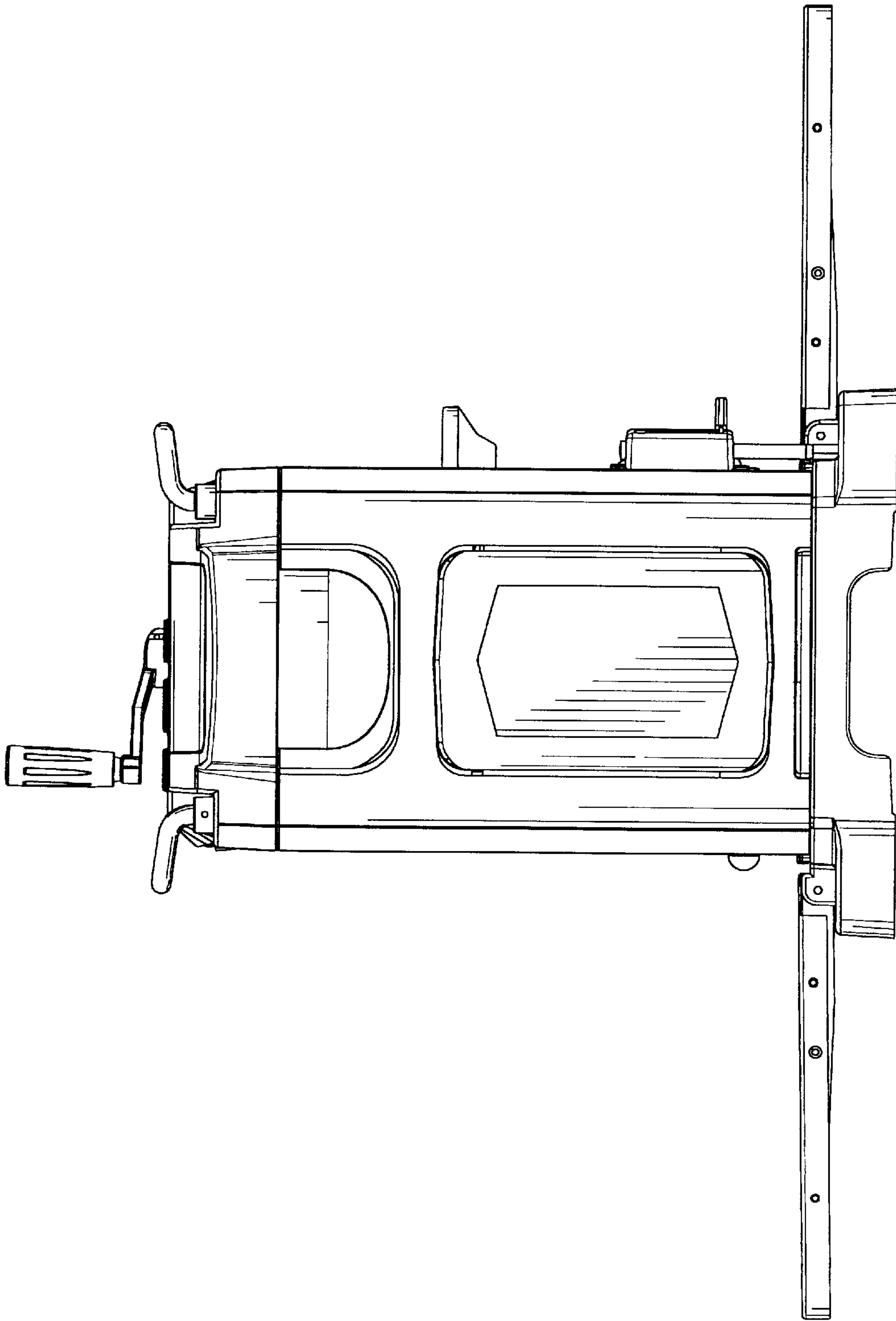


FIG. 4

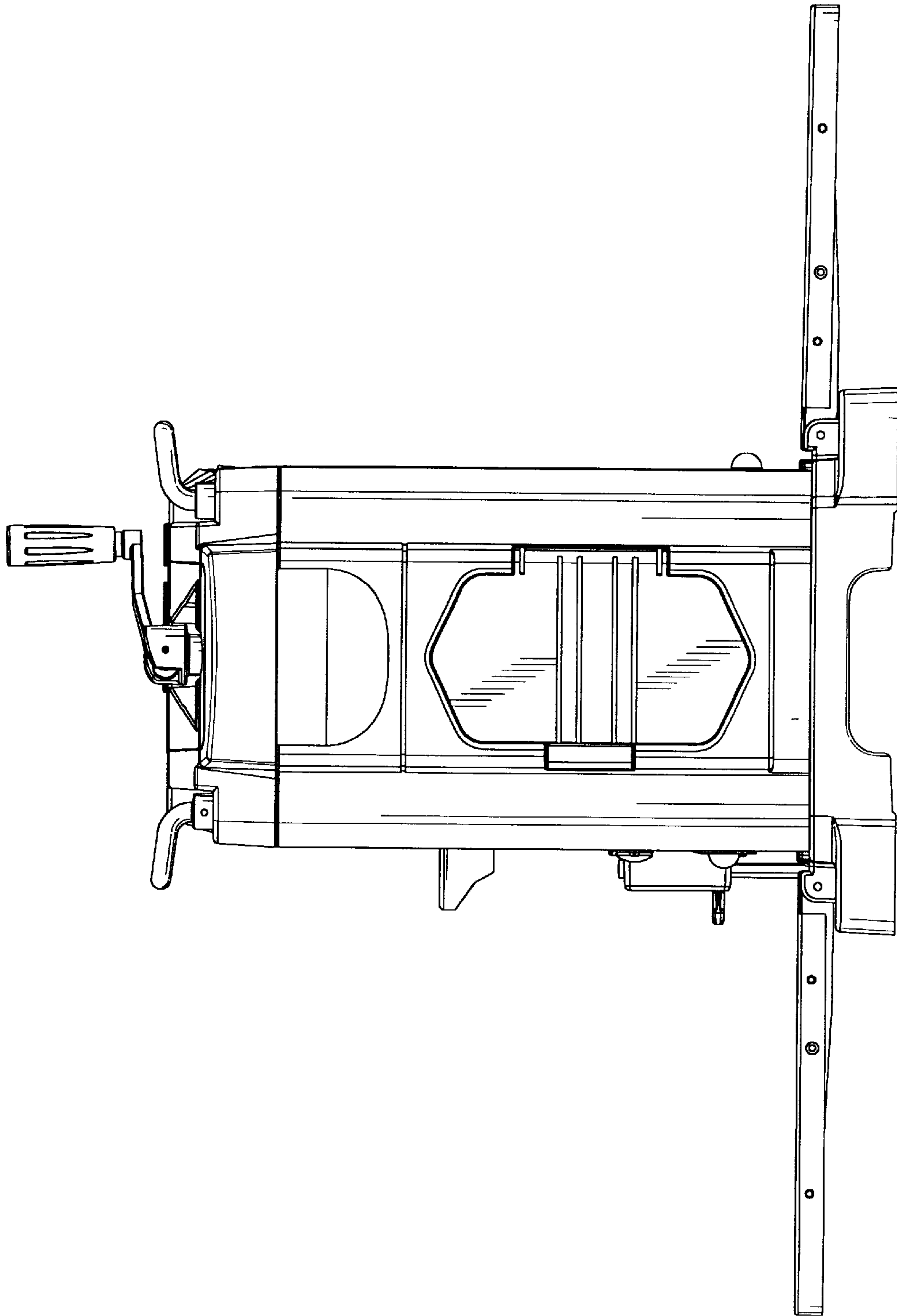


FIG. 5

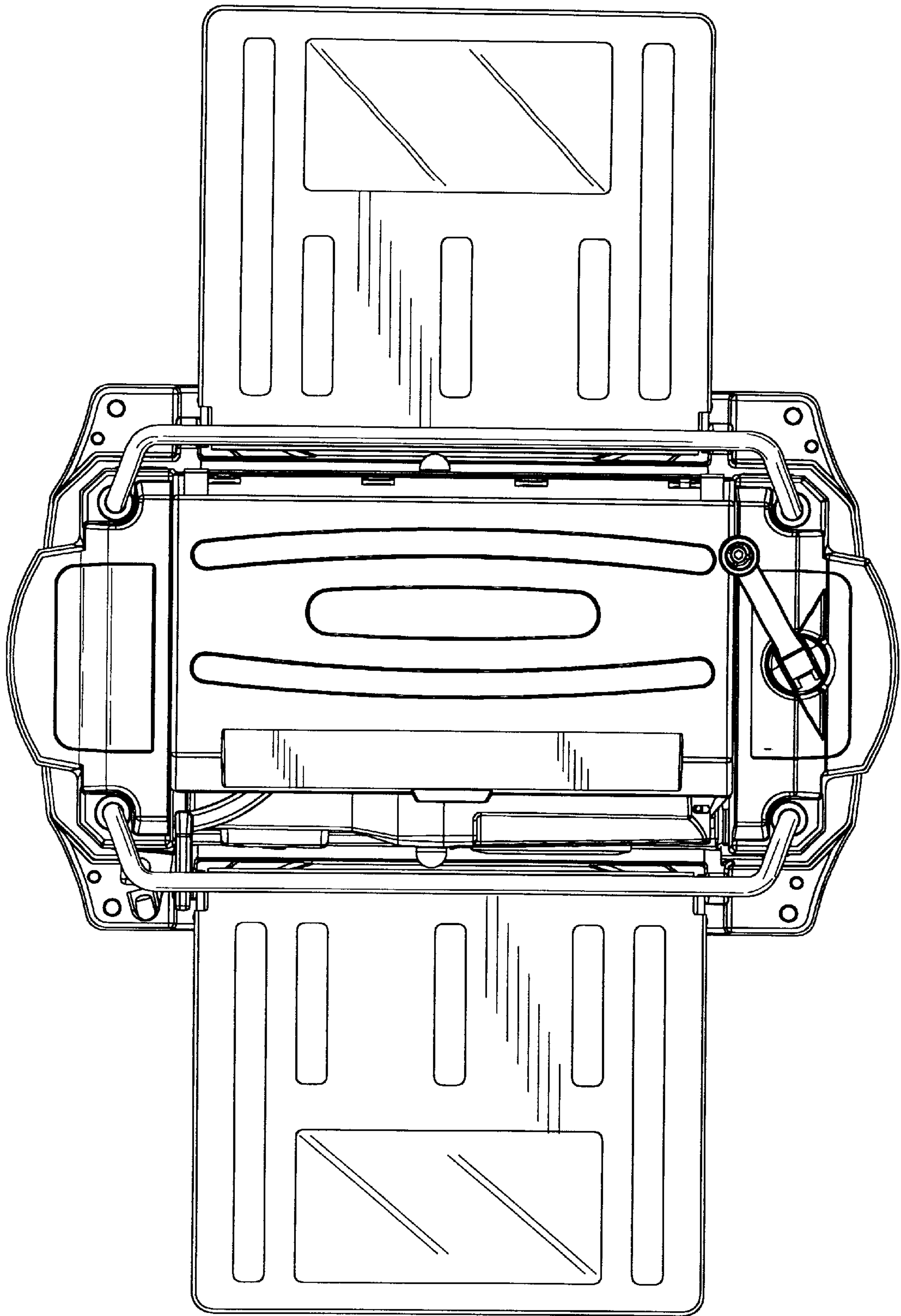


FIG. 6

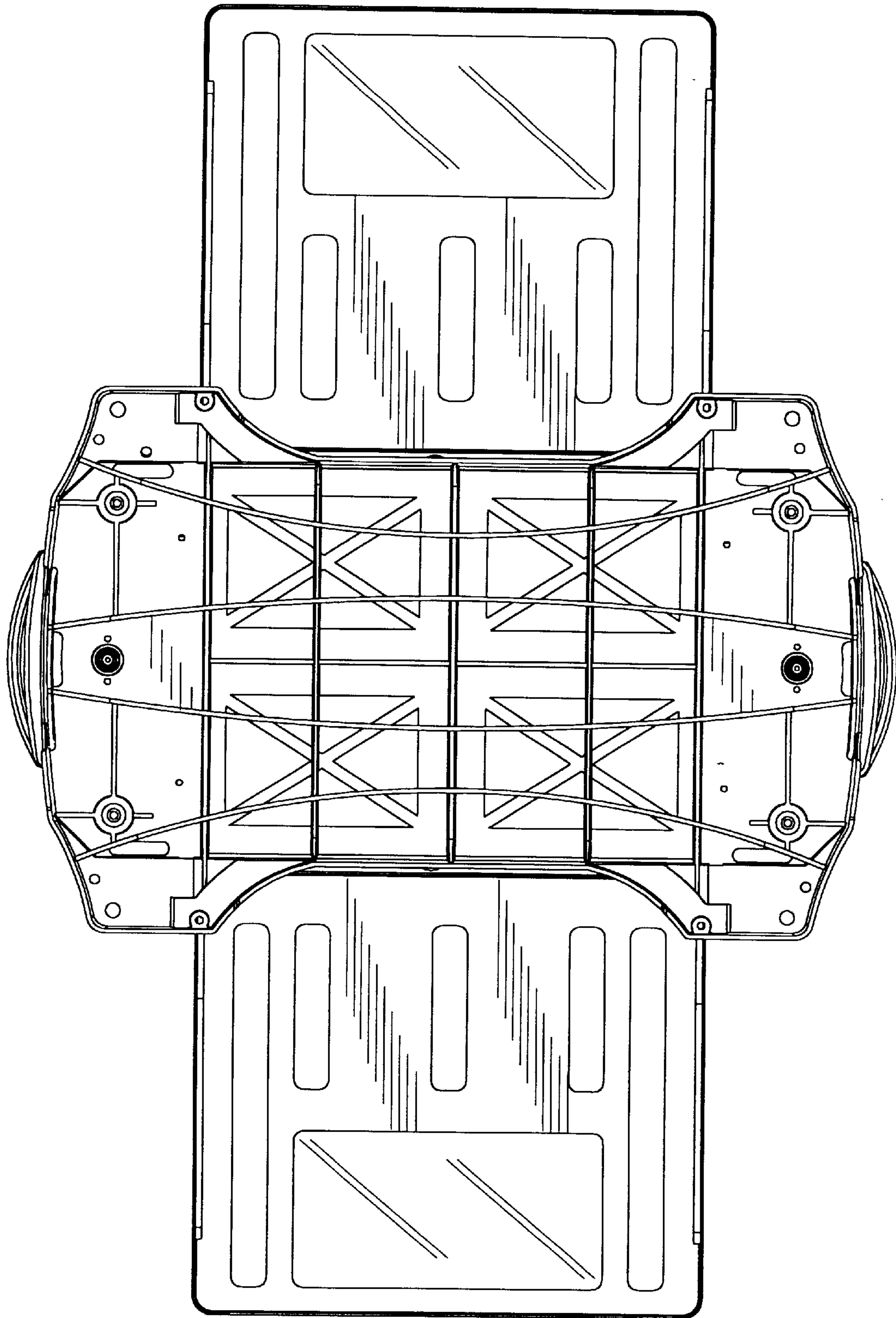


FIG. 7