



US00D442608S

(12) **United States Design Patent**
Ito

(10) **Patent No.:** **US D442,608 S**

(45) **Date of Patent:** **** May 22, 2001**

(54) **SEWING MACHINE**

(75) **Inventor:** **Masafumi Ito, Nagoya (JP)**

(73) **Assignee:** **Brother Kogyo Kabushiki Kaisha, Nagoya (JP)**

(**) **Term:** **14 Years**

(21) **Appl. No.:** **29/091,529**

(22) **Filed:** **Jul. 31, 1998**

(30) **Foreign Application Priority Data**

Mar. 31, 1998 (JP) 10-9296

(51) **LOC (7) Cl.** **15-06**

(52) **U.S. Cl.** **D15/69**

(58) **Field of Search** D15/66-70; 112/217.1-217.4,
112/256-261

(56) **References Cited**

U.S. PATENT DOCUMENTS

- D. 274,910 * 7/1984 Szostak et al. D15/69
- D. 347,847 * 6/1994 Eguchi D15/69

- D. 359,965 * 7/1995 Nakajima et al. D15/69
- D. 383,764 * 9/1997 Ueyama D15/70
- D. 392,652 * 3/1998 Takada D15/70
- 4,055,131 * 10/1977 O'Brien et al. 112/258

* cited by examiner

Primary Examiner—B. J. Bullock

(74) *Attorney, Agent, or Firm*—Oliff & Berridge, PLC

(57) **CLAIM**

The ornamental design for a sewing machine, as shown and described.

DESCRIPTION

FIG. 1 is a top plan view of a sewing machine;
 FIG. 2 is a front view of the sewing machine;
 FIG. 3 is a left side view of the sewing machine;
 FIG. 4 is a right side view of the sewing machine;
 FIG. 5 is a rear view of the sewing machine; and,
 FIG. 6 is a perspective view of the sewing machine.
 The broken lines which define the bounds of the claimed design form no part thereof.

1 Claim, 6 Drawing Sheets

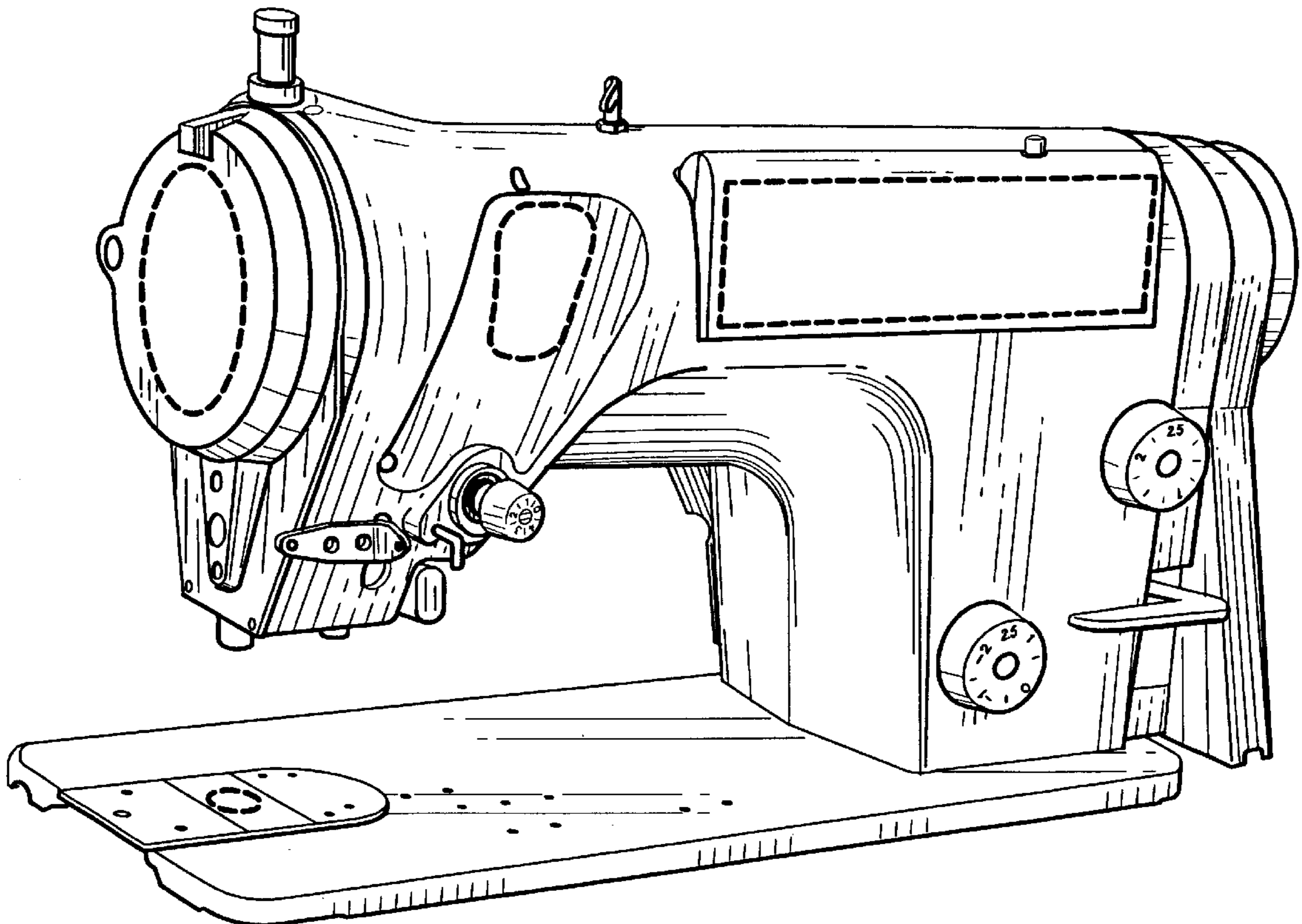
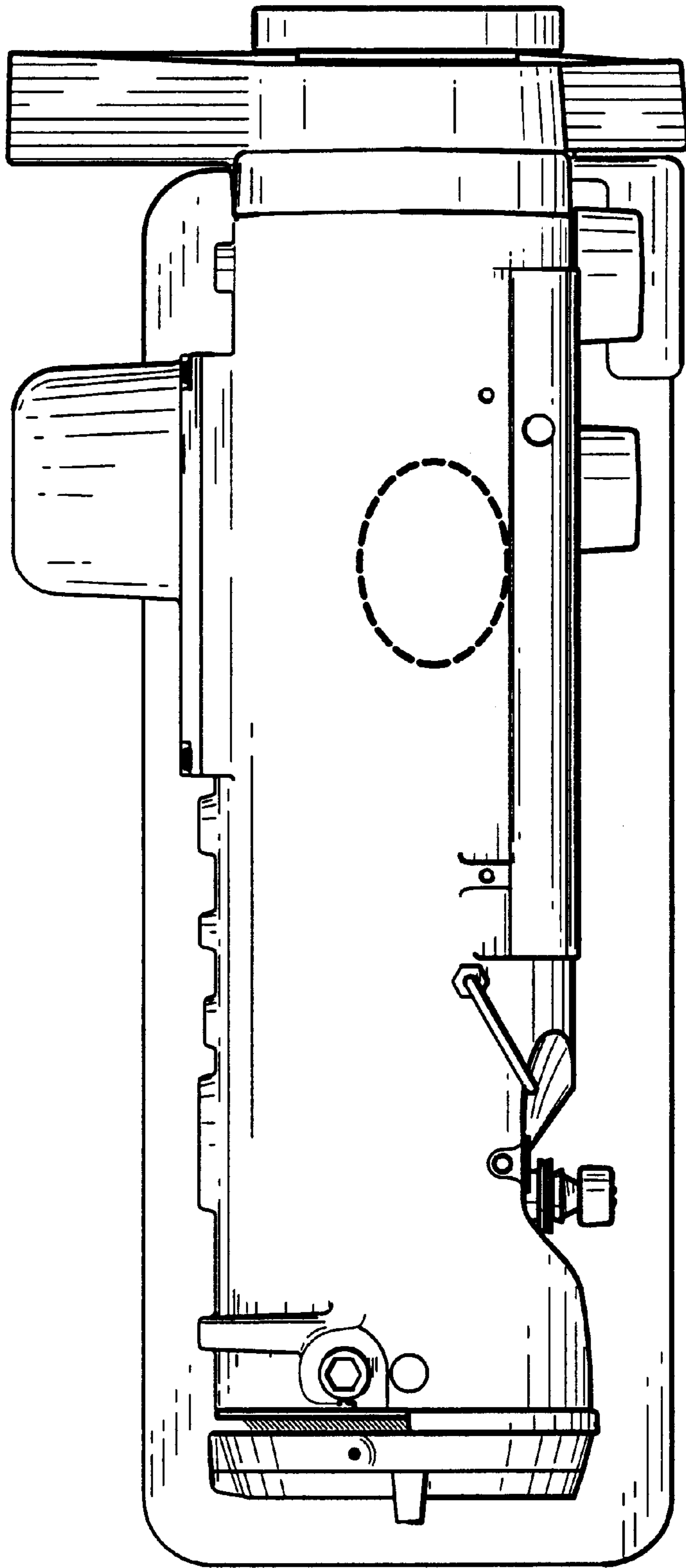


Fig. 1



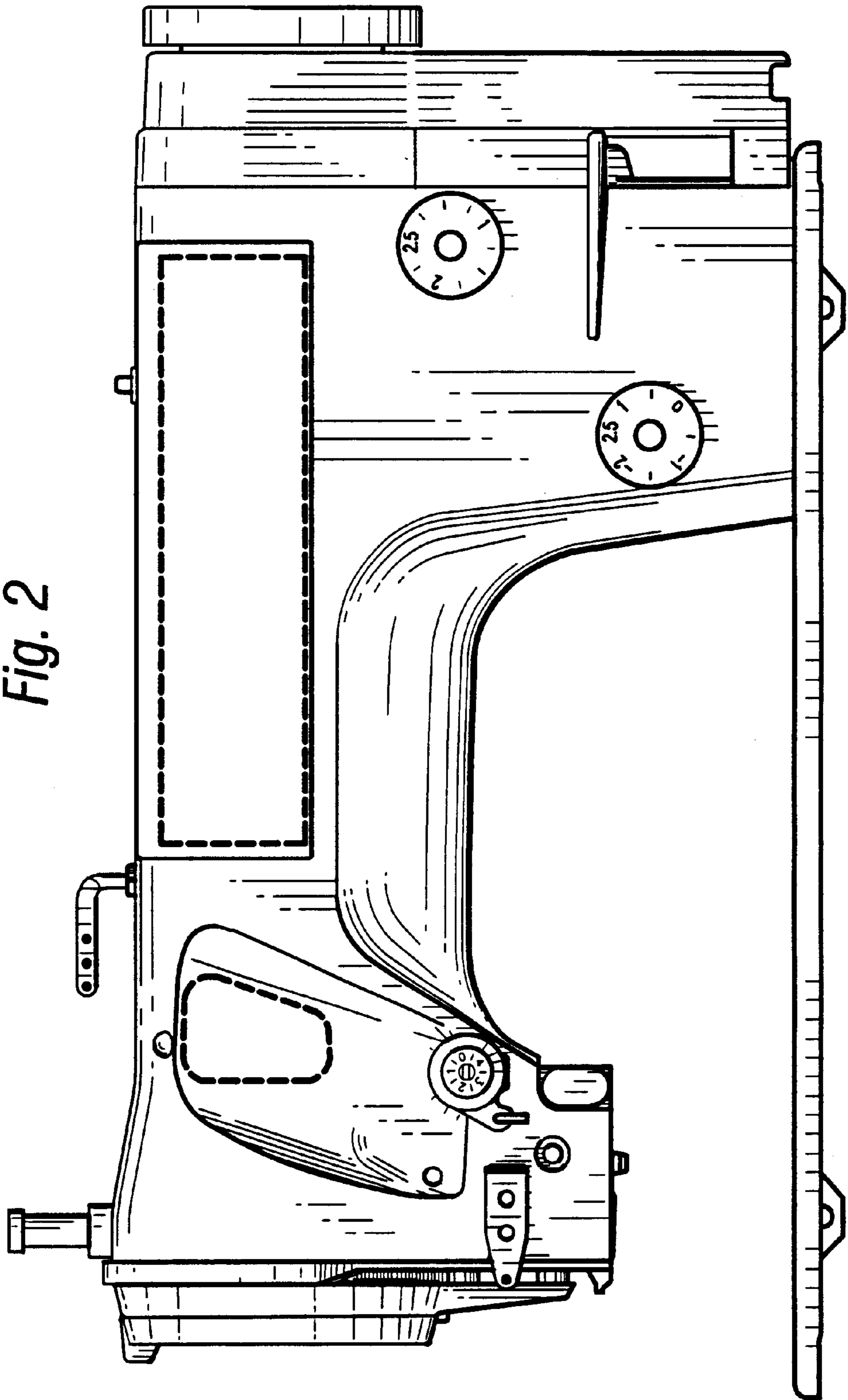


Fig. 2

Fig. 3

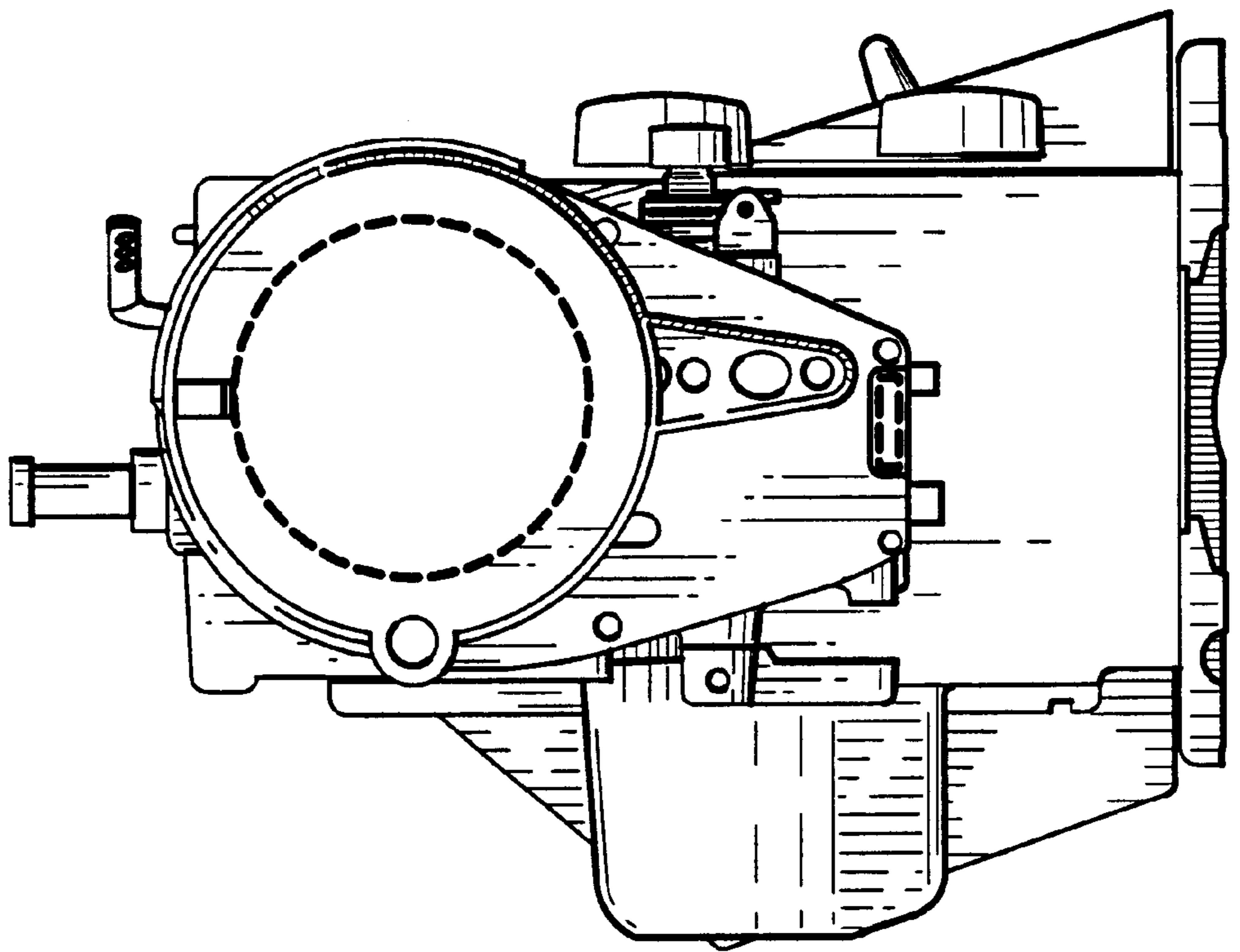
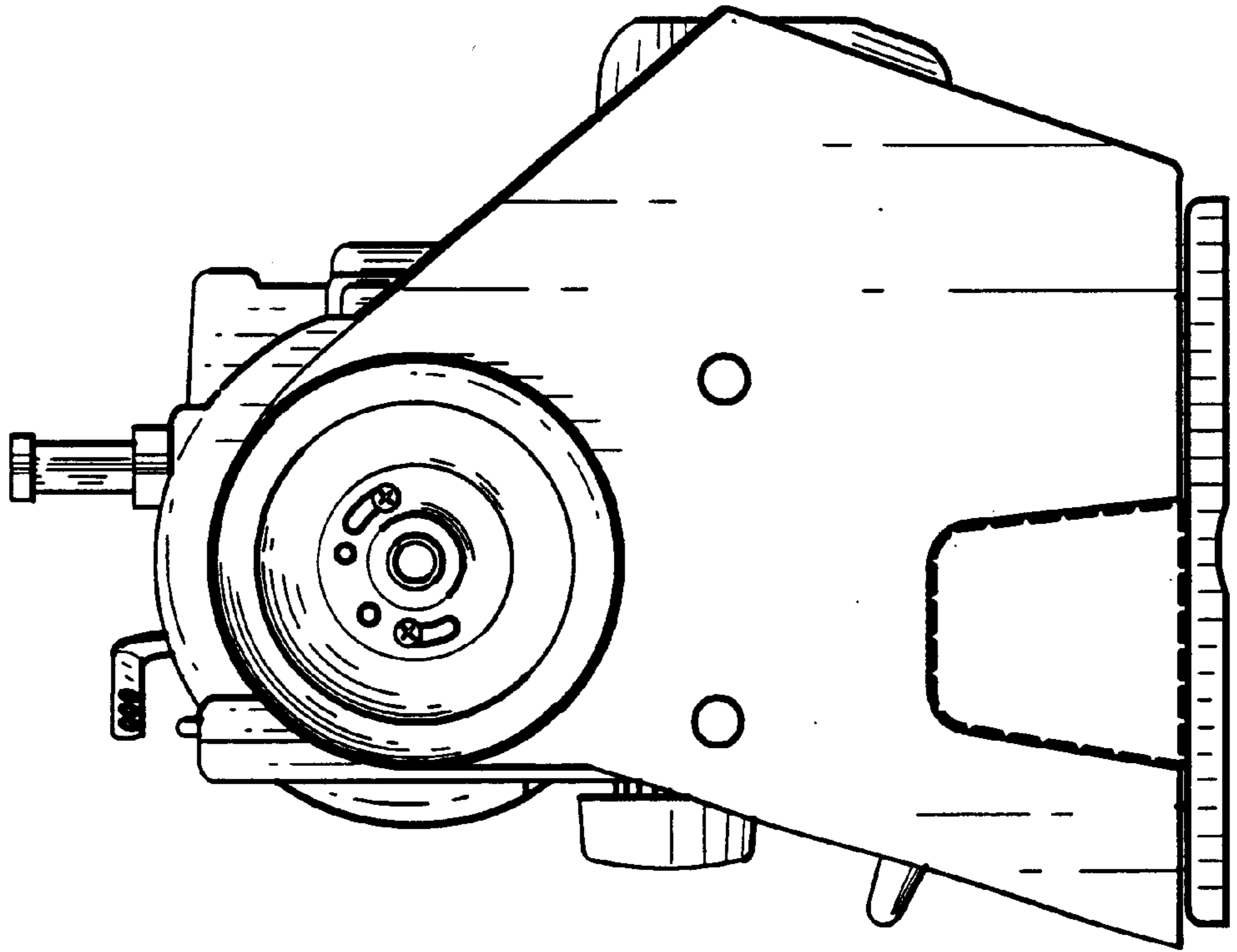
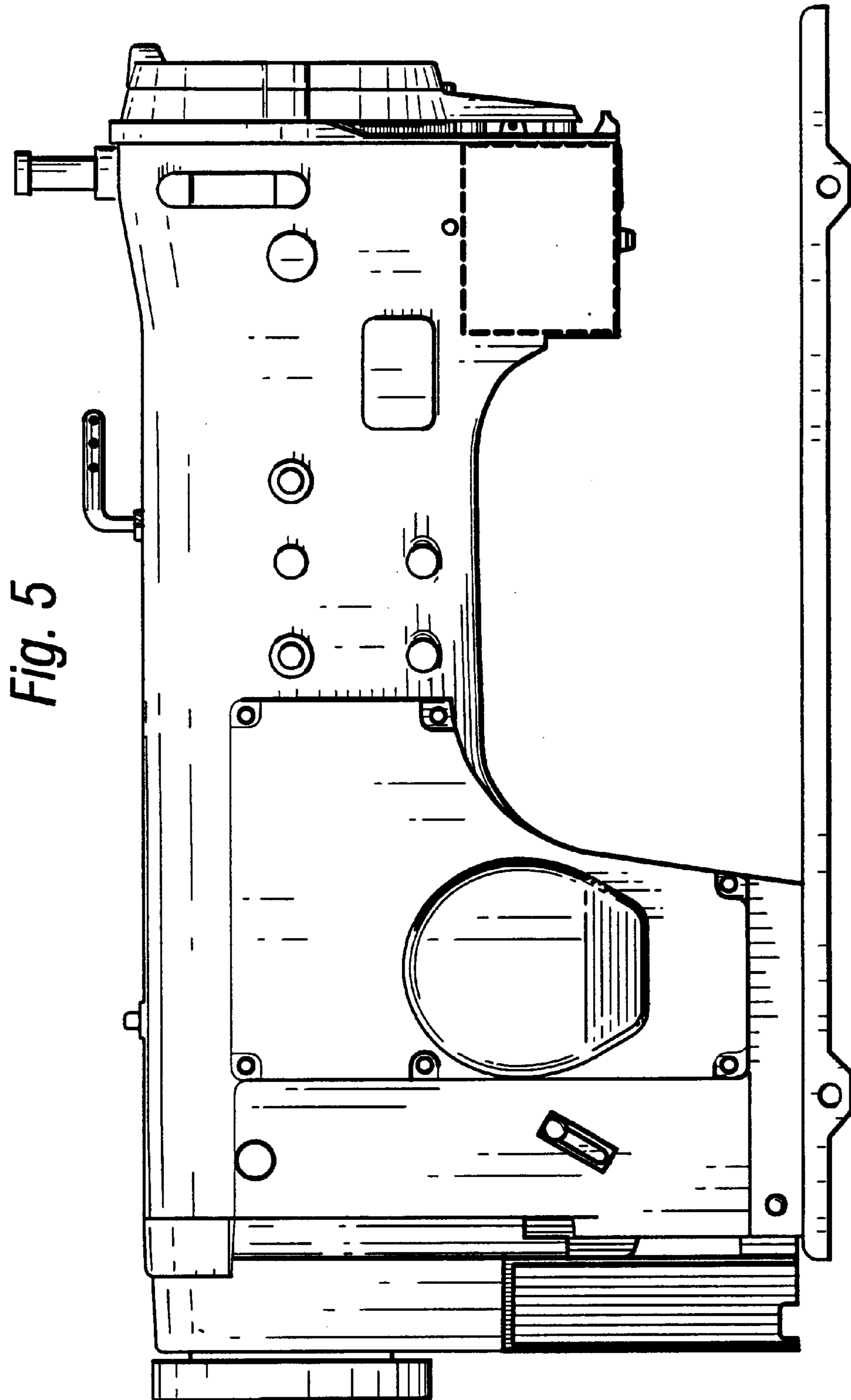


Fig. 4





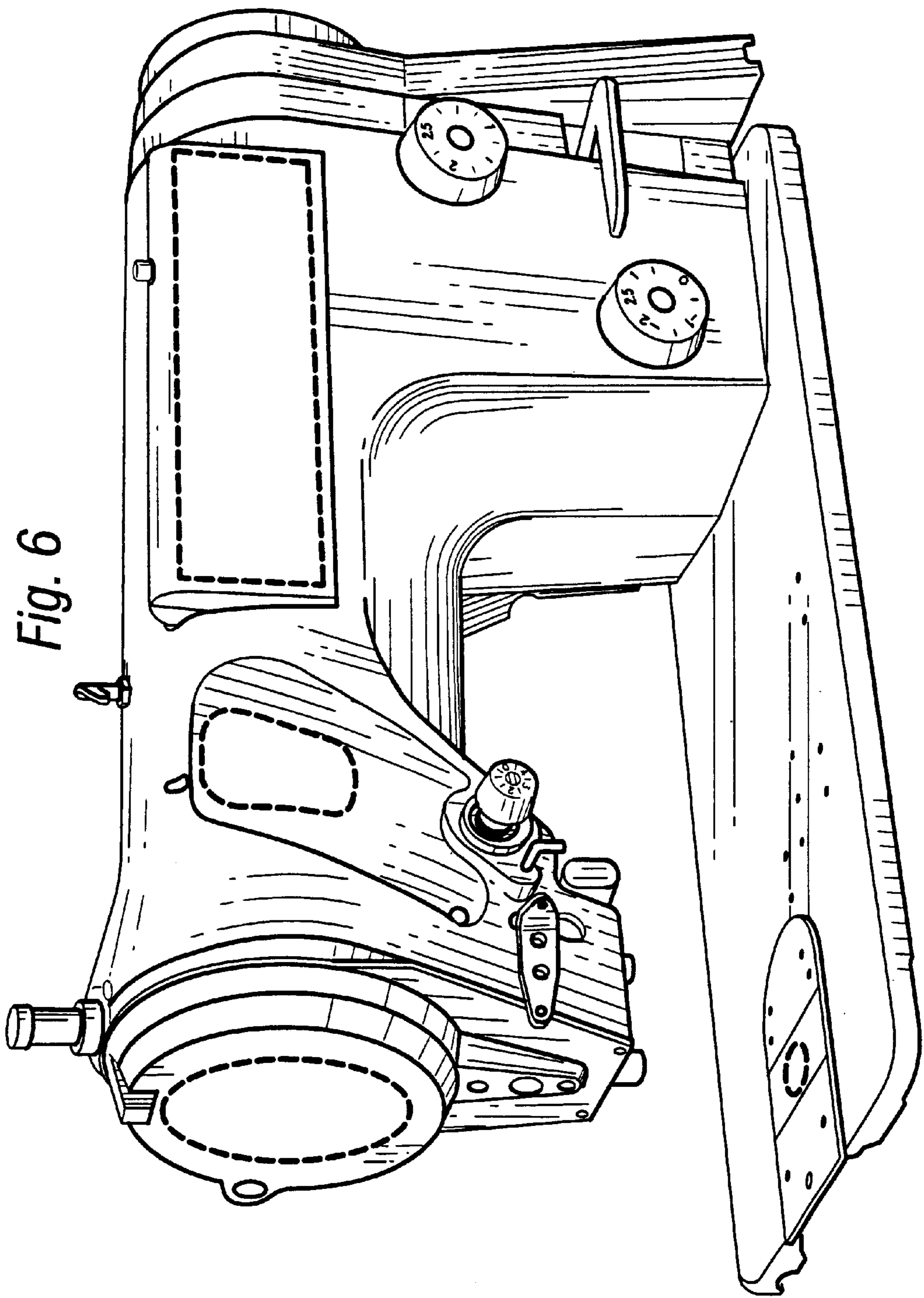


Fig. 6