



US00D442607S

(12) **United States Design Patent**  
**Bauck**

(10) **Patent No.:** **US D442,607 S**

(45) **Date of Patent:** **\*\* May 22, 2001**

(54) **AIR OPERATED PISTON PUMP**

(75) Inventor: **Mark L. Bauck**, Brooklyn Park, MN (US)

(73) Assignee: **Graco Minnesota Inc.**, Minneapolis, MN (US)

(\*\*) Term: **14 Years**

(21) Appl. No.: **29/128,196**

(22) Filed: **Aug. 18, 2000**

(51) **LOC (7) Cl.** ..... **15-02**

(52) **U.S. Cl.** ..... **D15/7**

(58) **Field of Search** ..... D15/7-9; 417/231, 417/405, 410, 416, 420

(56) **References Cited**

**U.S. PATENT DOCUMENTS**

- D. 303,670 \* 9/1989 Adolfo ..... D15/9
- D. 304,197 \* 10/1989 Adolfo ..... D15/9

- D. 308,209 \* 5/1990 Laqua et al. .... D15/7
- D. 327,891 \* 7/1992 Morgan ..... D15/9
- D. 333,472 \* 2/1993 Aizawa ..... D15/7

\* cited by examiner

*Primary Examiner*—Ralf Seifert

(74) *Attorney, Agent, or Firm*—Douglas B. Farrow

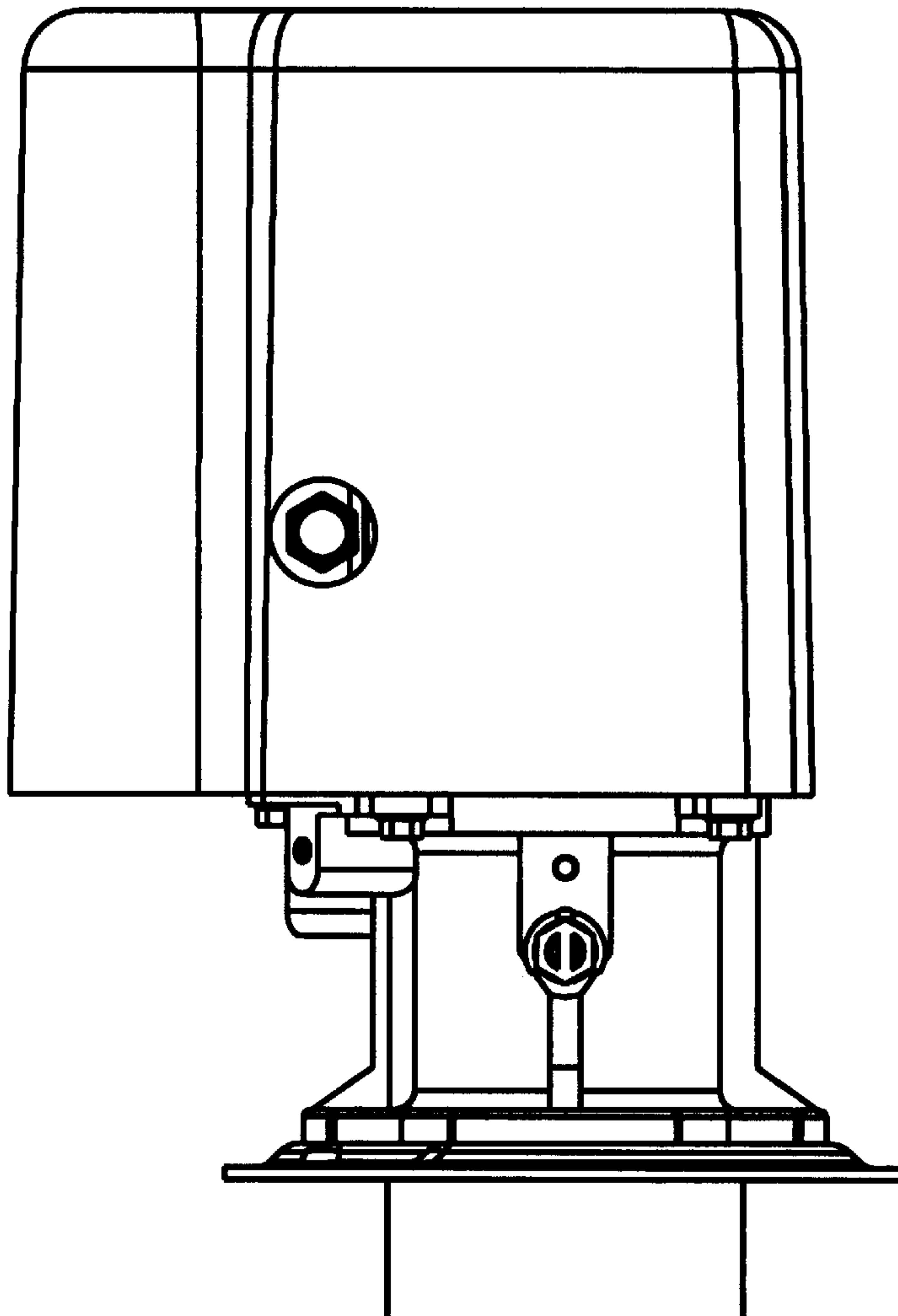
(57) **CLAIM**

The ornamental design for the air operated piston pump, as shown and described.

**DESCRIPTION**

FIG. 1 is a front elevation view of the air operated piston pump;  
 FIG. 2 is a top elevation view thereof;  
 FIG. 3 is a left side elevation view thereof;  
 FIG. 4 is a right side elevation view thereof;  
 FIG. 5 is a back elevation view thereof; and,  
 FIG. 6 is a bottom elevation view thereof.

**1 Claim, 6 Drawing Sheets**



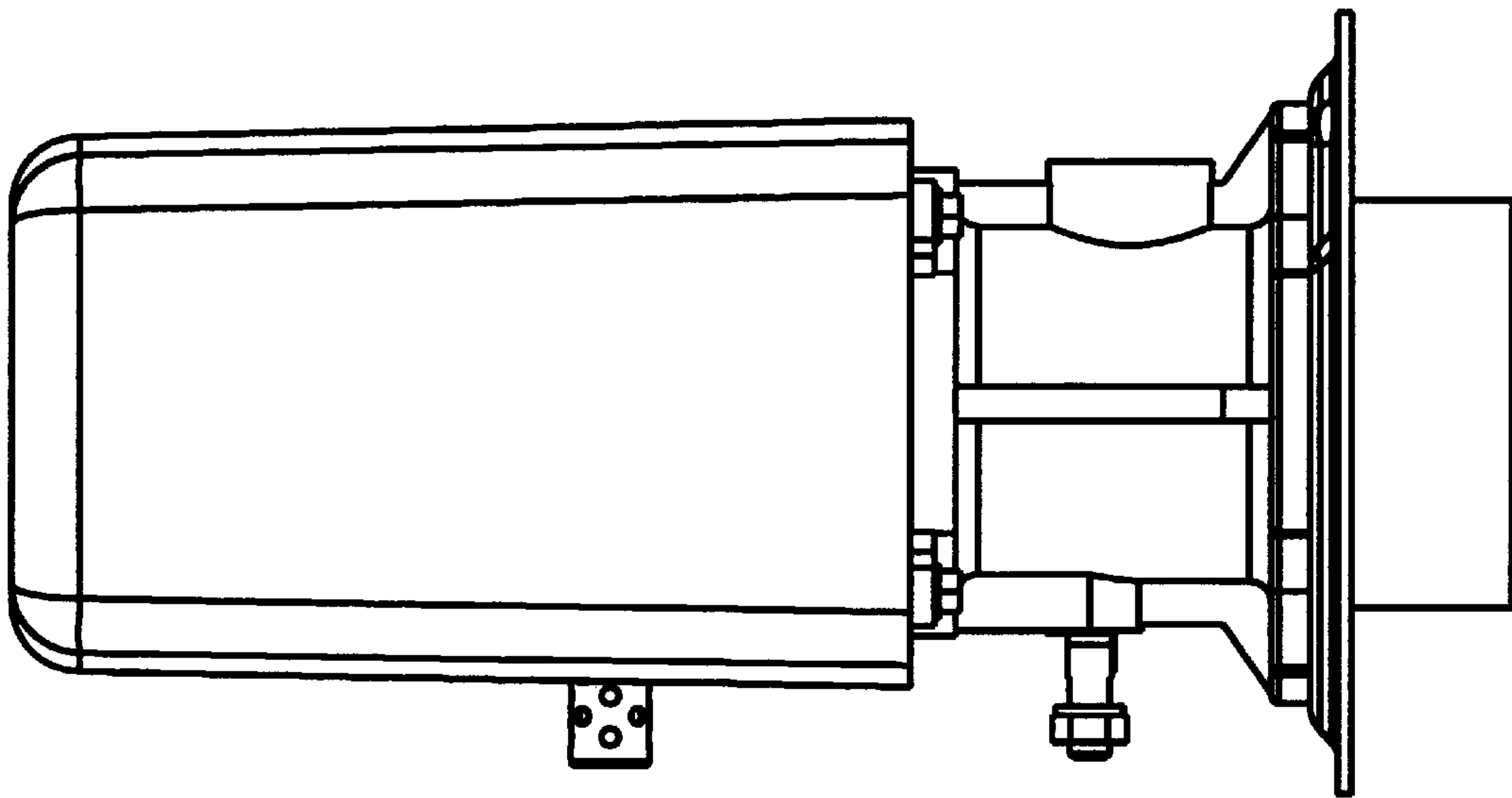


Fig 1

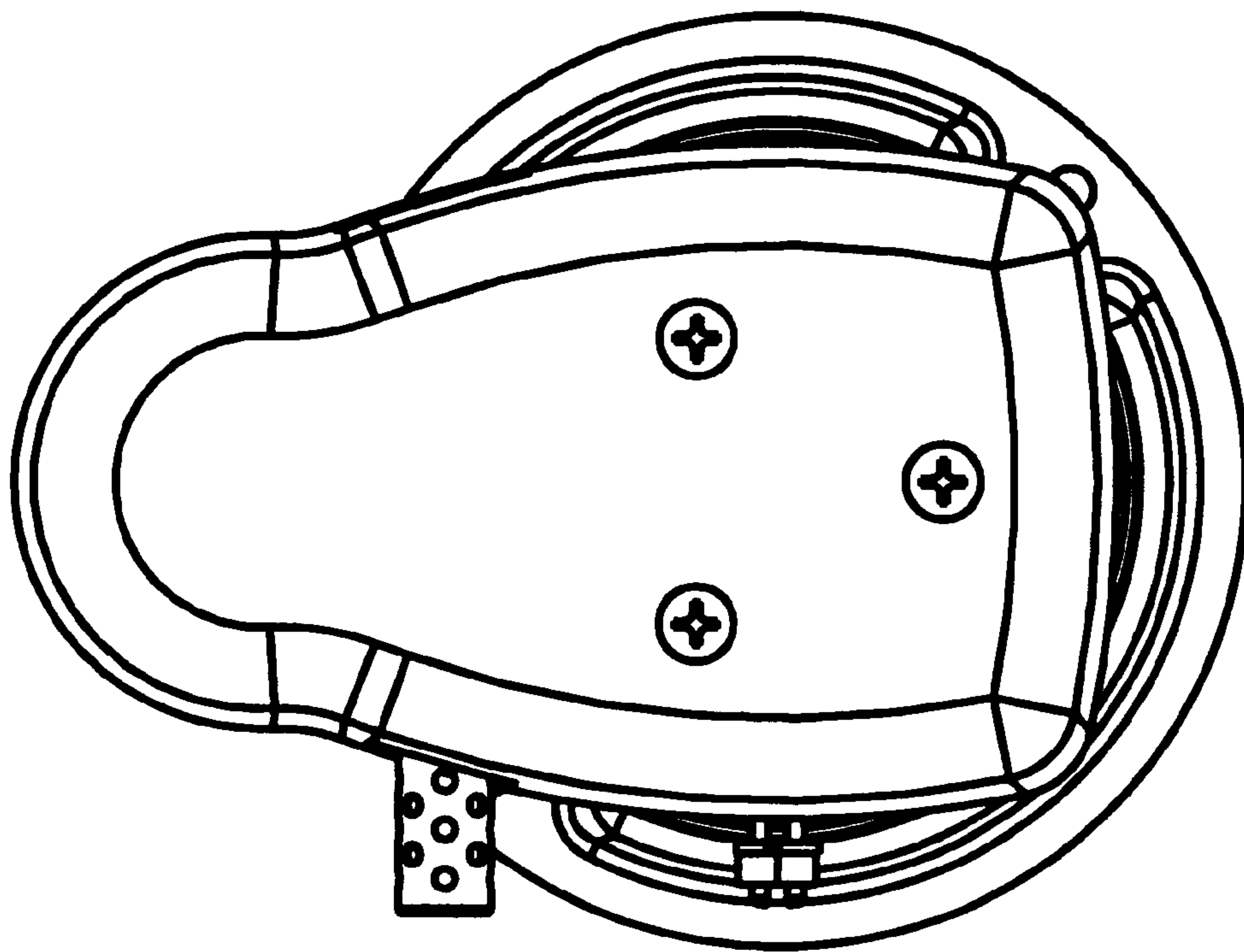


Fig 2

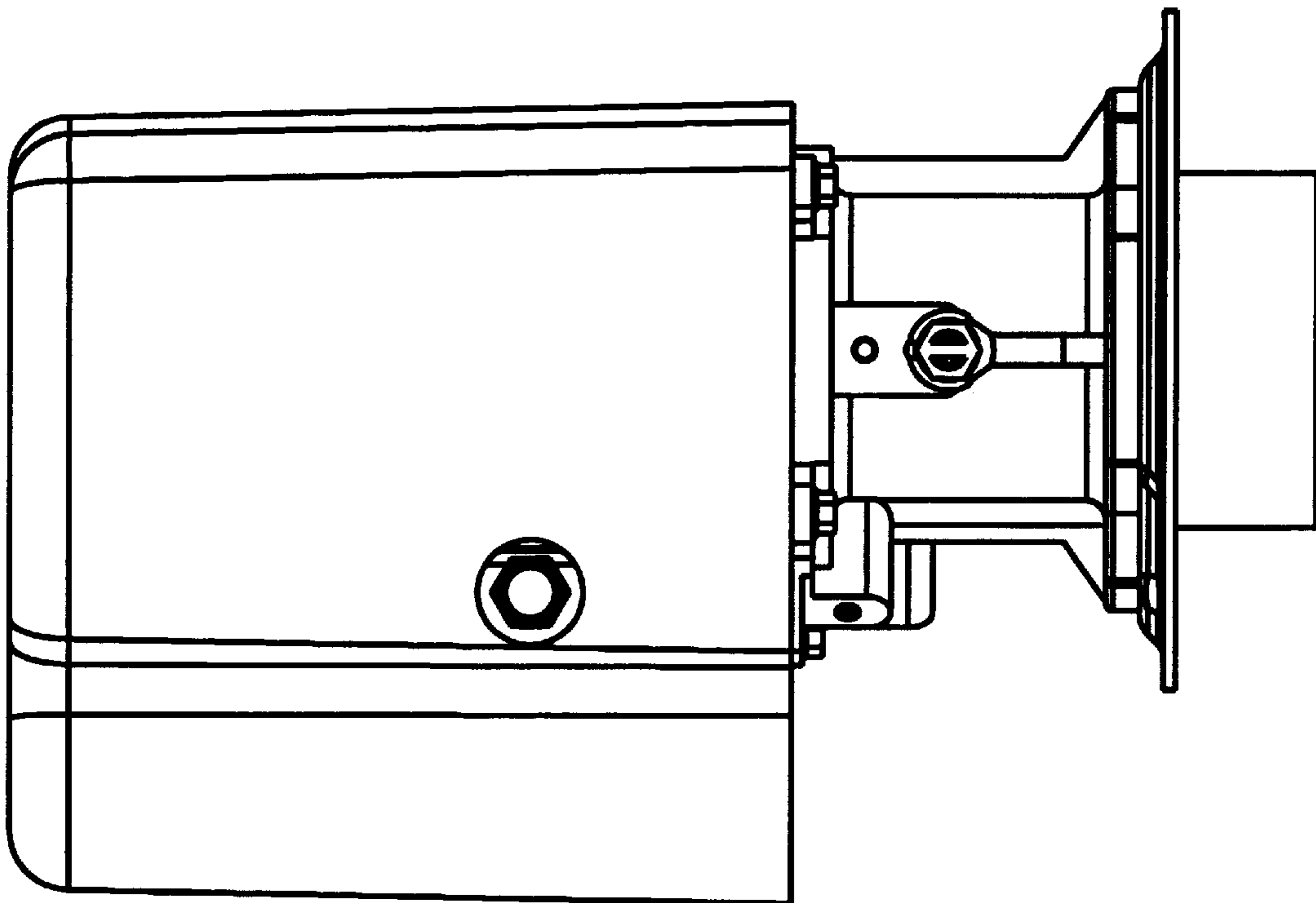


Fig 3

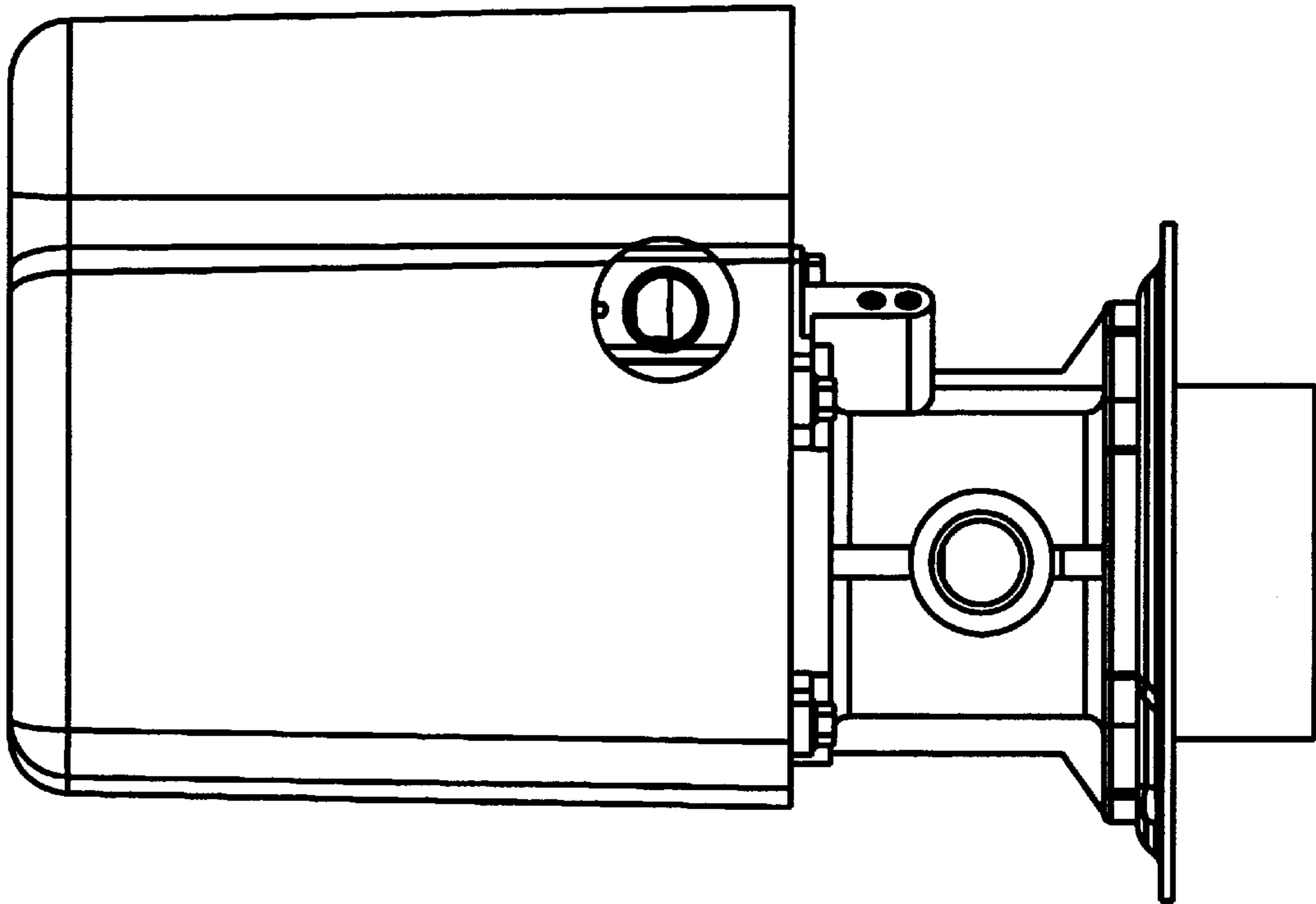


Fig 4

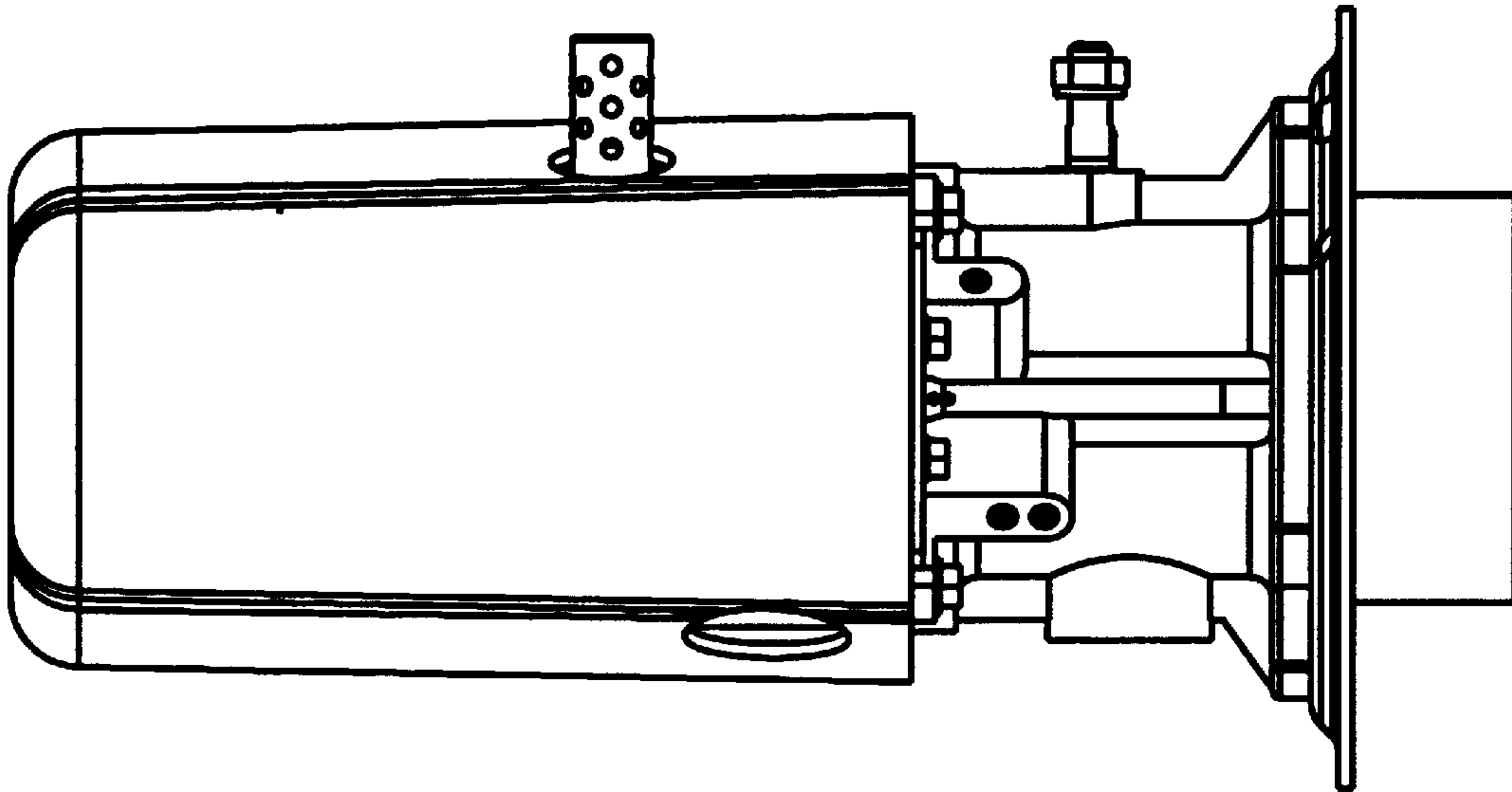


Fig 5

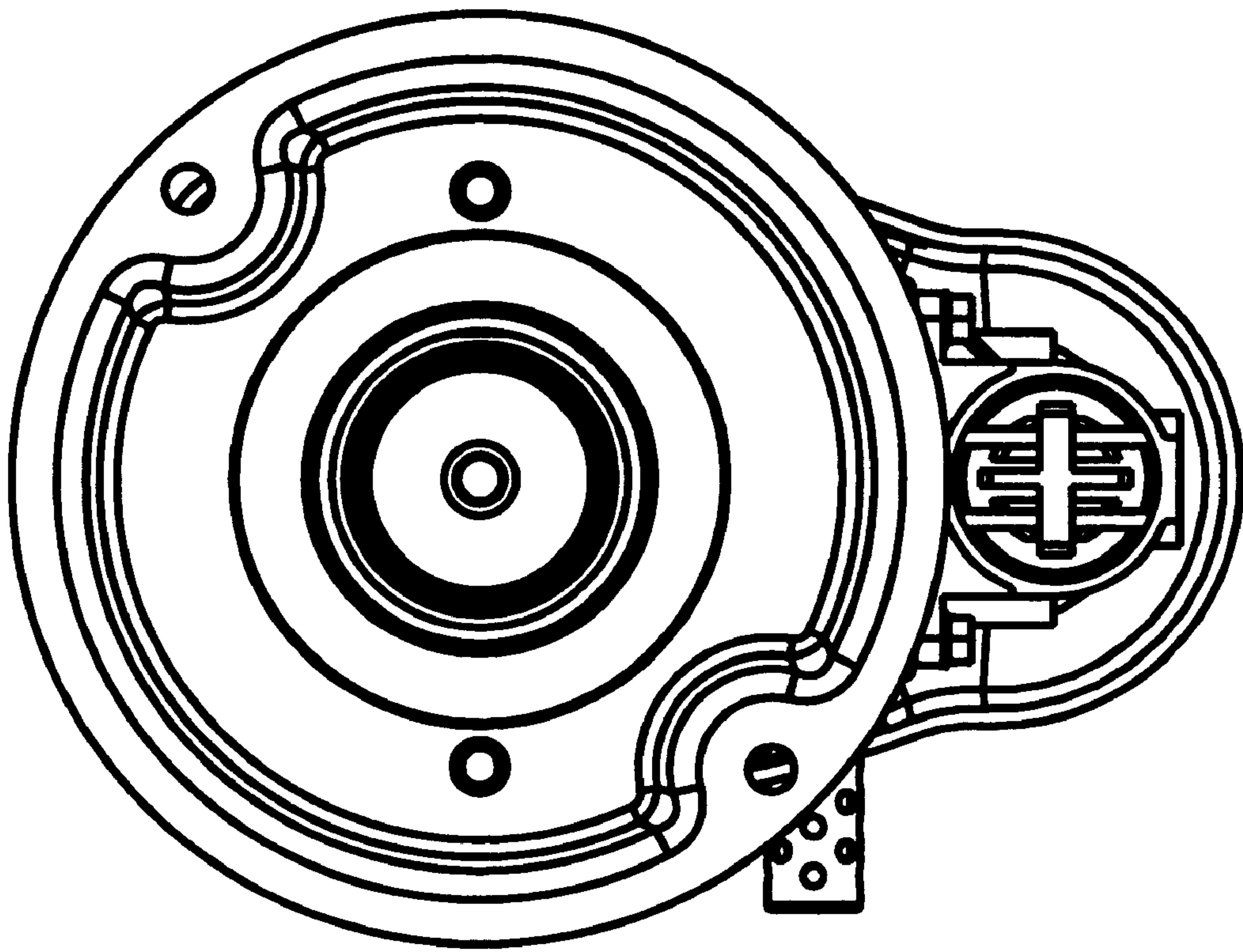


Fig 6