



US00D442604S

(12) **United States Design Patent**
Nakamura

(10) **Patent No.:** **US D442,604 S**

(45) **Date of Patent:** **** May 22, 2001**

(54) **FACSIMILE MACHINE**

(75) **Inventor:** **Masahiro Nakamura, Hiroshima-ken (JP)**

(73) **Assignee:** **Sharp Kabushiki Kaisha, Osaka (JP)**

(**) **Term:** **14 Years**

(21) **Appl. No.:** **29/124,424**

(22) **Filed:** **Jun. 6, 2000**

(30) **Foreign Application Priority Data**

Dec. 6, 1999 (JP) 11-33797

(51) **LOC (7) Cl.** **16-03**

(52) **U.S. Cl.** **D14/468**

(58) **Field of Search** D14/462, 466,
D14/467, 468, 469, 470; 358/400, 401,
402

(56) **References Cited**

U.S. PATENT DOCUMENTS

- D. 323,159 * 1/1992 Iwasaki et al. D14/468
- D. 332,094 12/1992 Sawada et al. .
- D. 339,333 9/1993 Sawada et al. .
- D. 355,178 2/1995 Sawada et al. .
- D. 355,179 2/1995 Sawada et al. .
- D. 357,677 4/1995 Sawada et al. .
- D. 361,994 9/1995 Sawada et al. .

- D. 363,713 10/1995 Kanari et al. .
- D. 376,793 12/1996 Satoh et al. .
- D. 383,742 9/1997 Sawada et al. .
- D. 385,266 10/1997 Matsushima .
- D. 386,490 11/1997 Fujimoto .
- D. 407,083 3/1999 Yamamizu .
- D. 434,046 * 11/2000 Nakamura D14/468
- 4,872,061 * 10/1989 Uchiyama 358/400
- 5,172,243 * 12/1992 Hayashi et al. 358/400
- 5,183,431 * 2/1993 Todokoro 358/400 X
- 6,040,919 * 3/2000 Iwata et al. 358/400

* cited by examiner

Primary Examiner—Prabhakar Deshmukh

(74) *Attorney, Agent, or Firm*—Nixon & Vanderhye

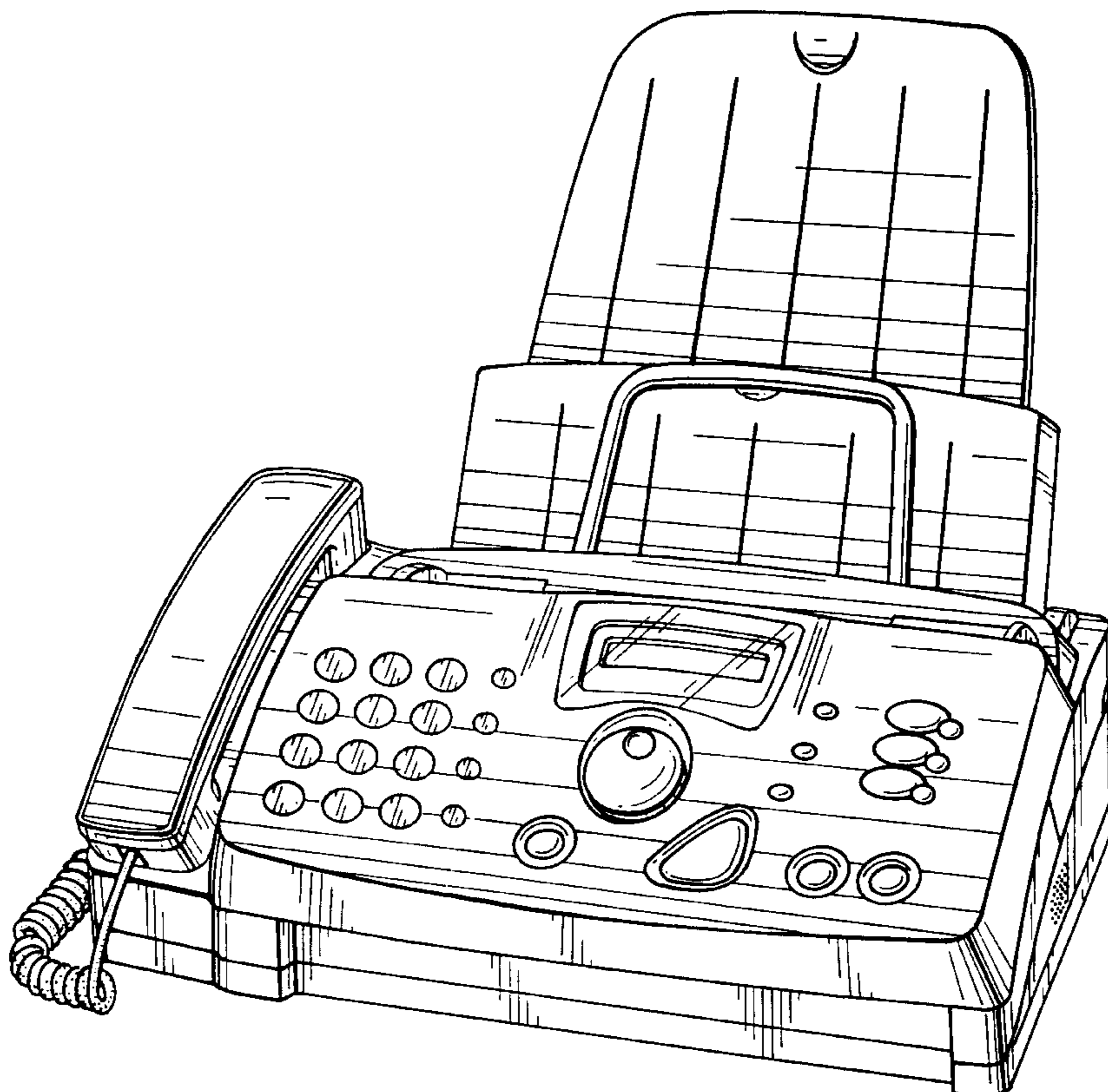
(57) **CLAIM**

The ornamental design for a “facsimile machine”, as shown and described.

DESCRIPTION

FIG. 1 is a top, front and right side perspective view of a facsimile machine according to my design;
 FIG. 2 is a top plan view thereof;
 FIG. 3 is a front elevational view thereof;
 FIG. 4 is a right side elevational view thereof;
 FIG. 5 is a rear elevational view thereof;
 FIG. 6 is a left side elevational view thereof; and,
 FIG. 7 is a bottom plan view thereof.

1 Claim, 7 Drawing Sheets



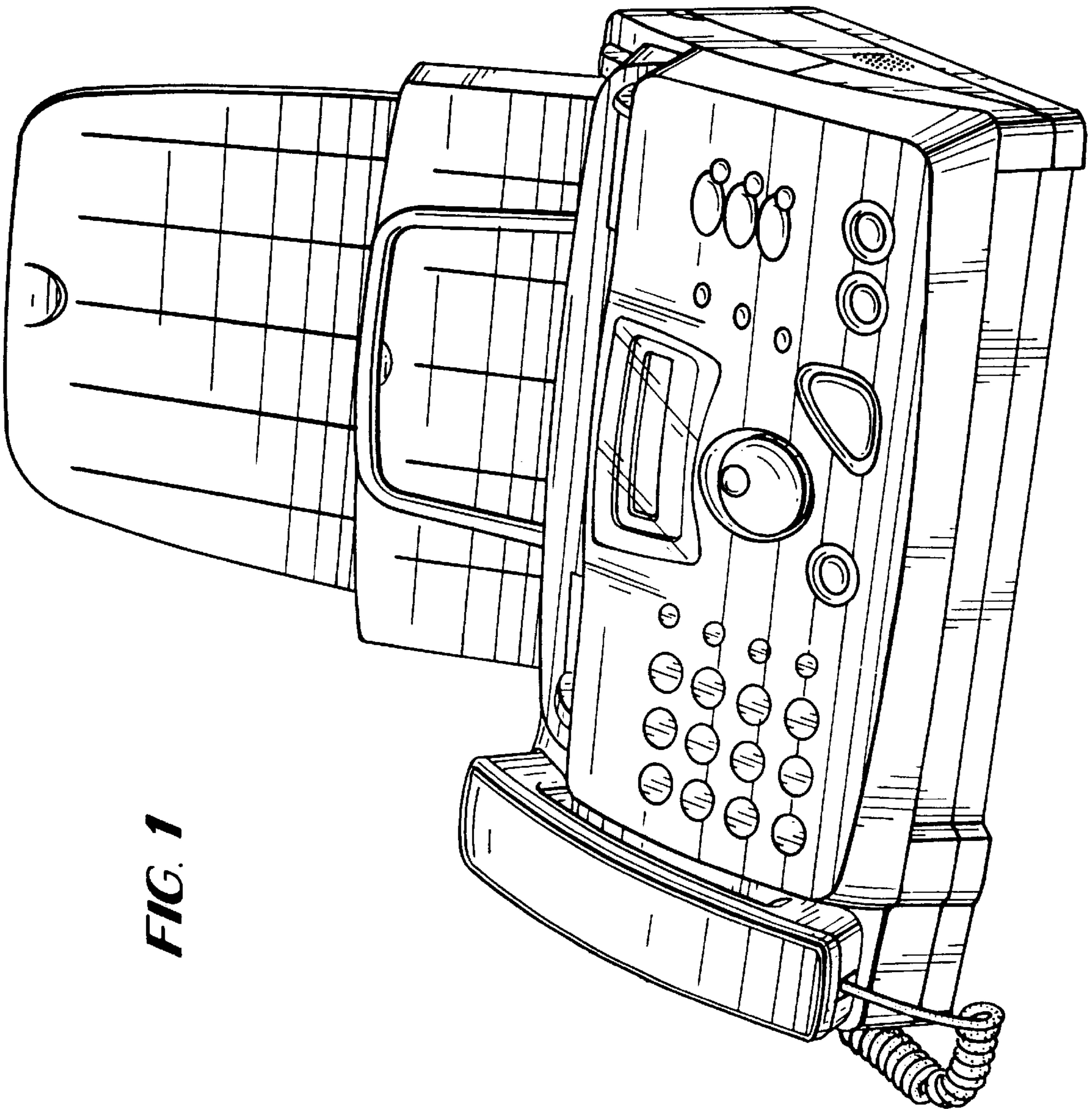


FIG. 1

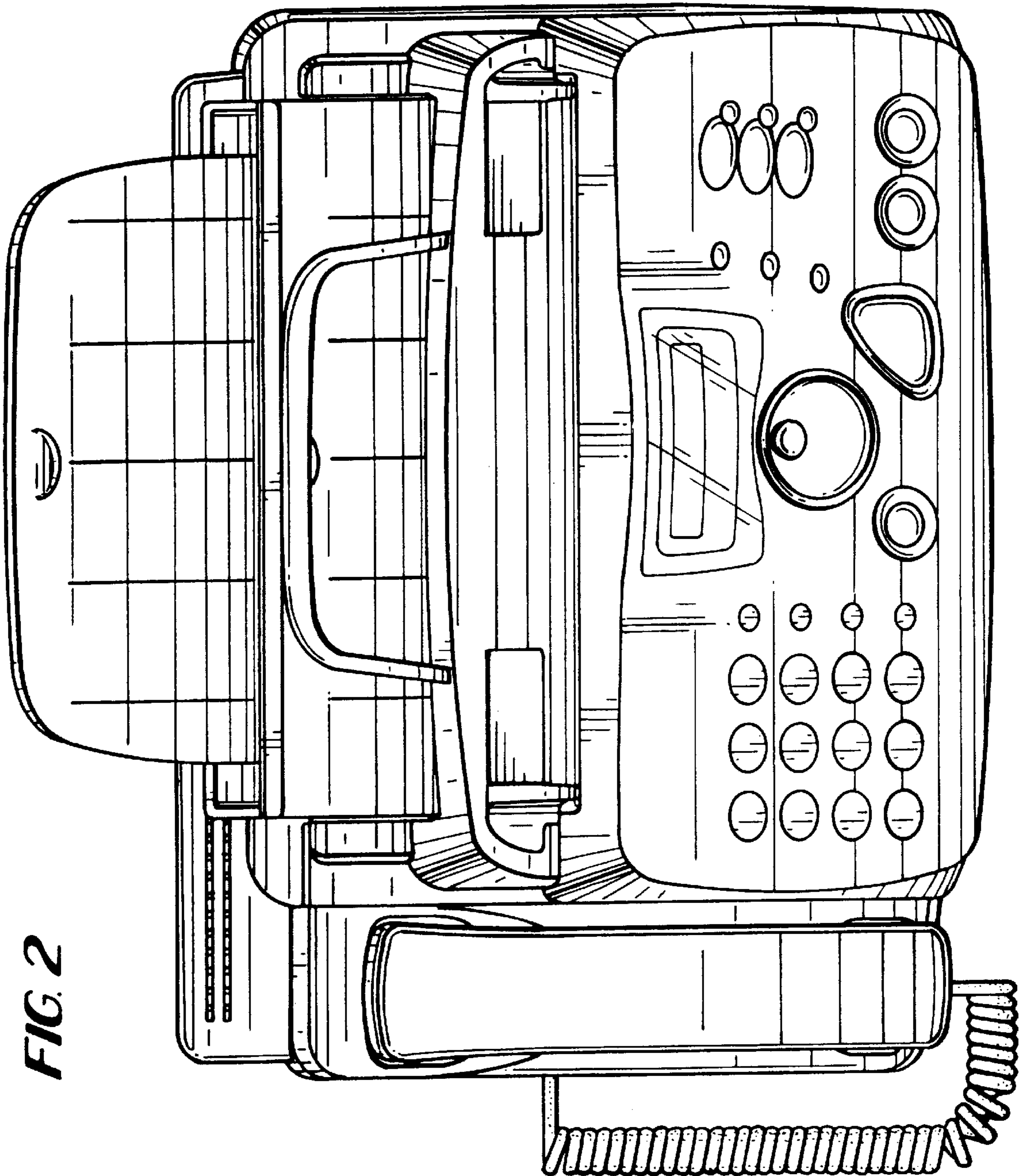


FIG. 2

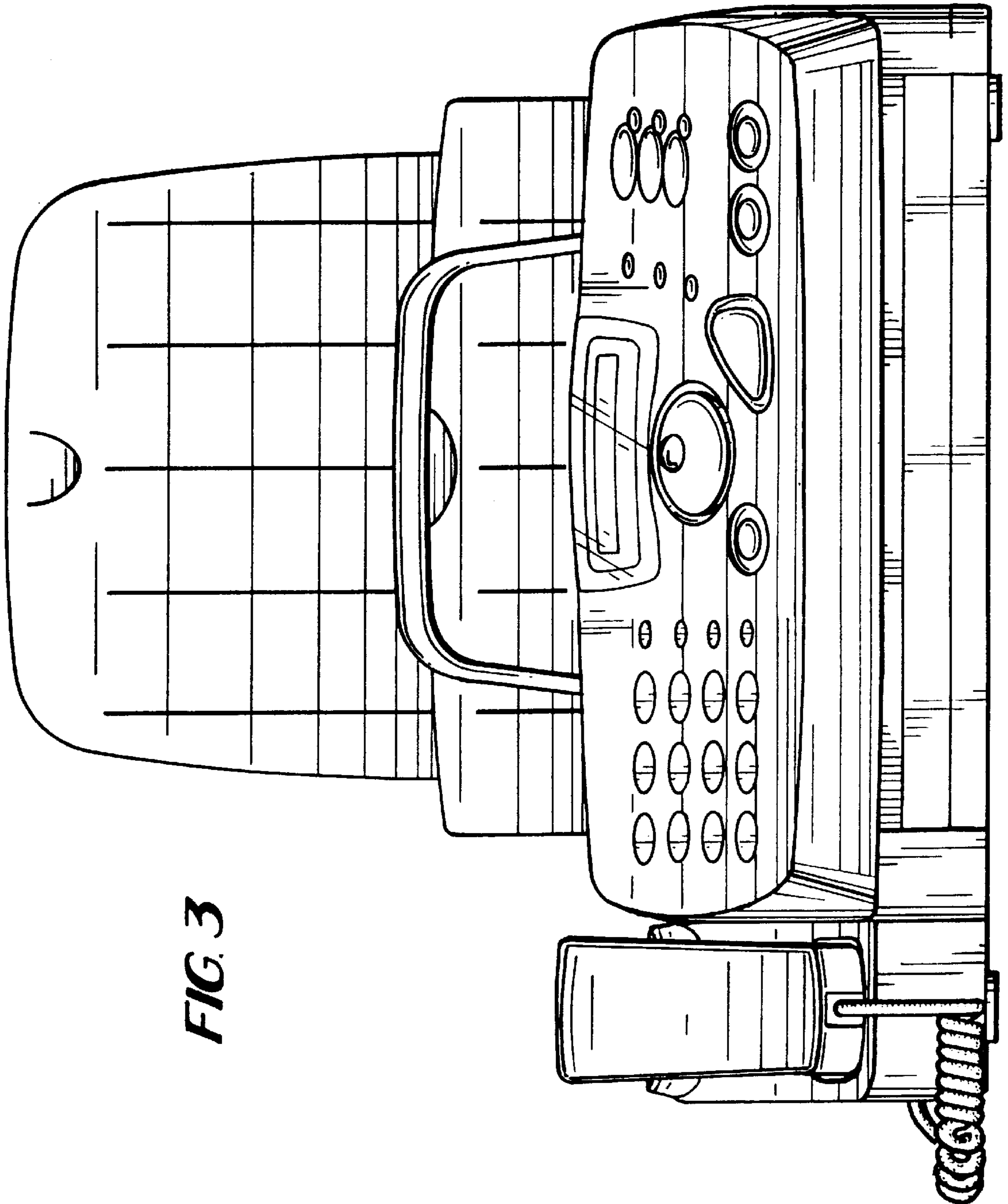


FIG. 3

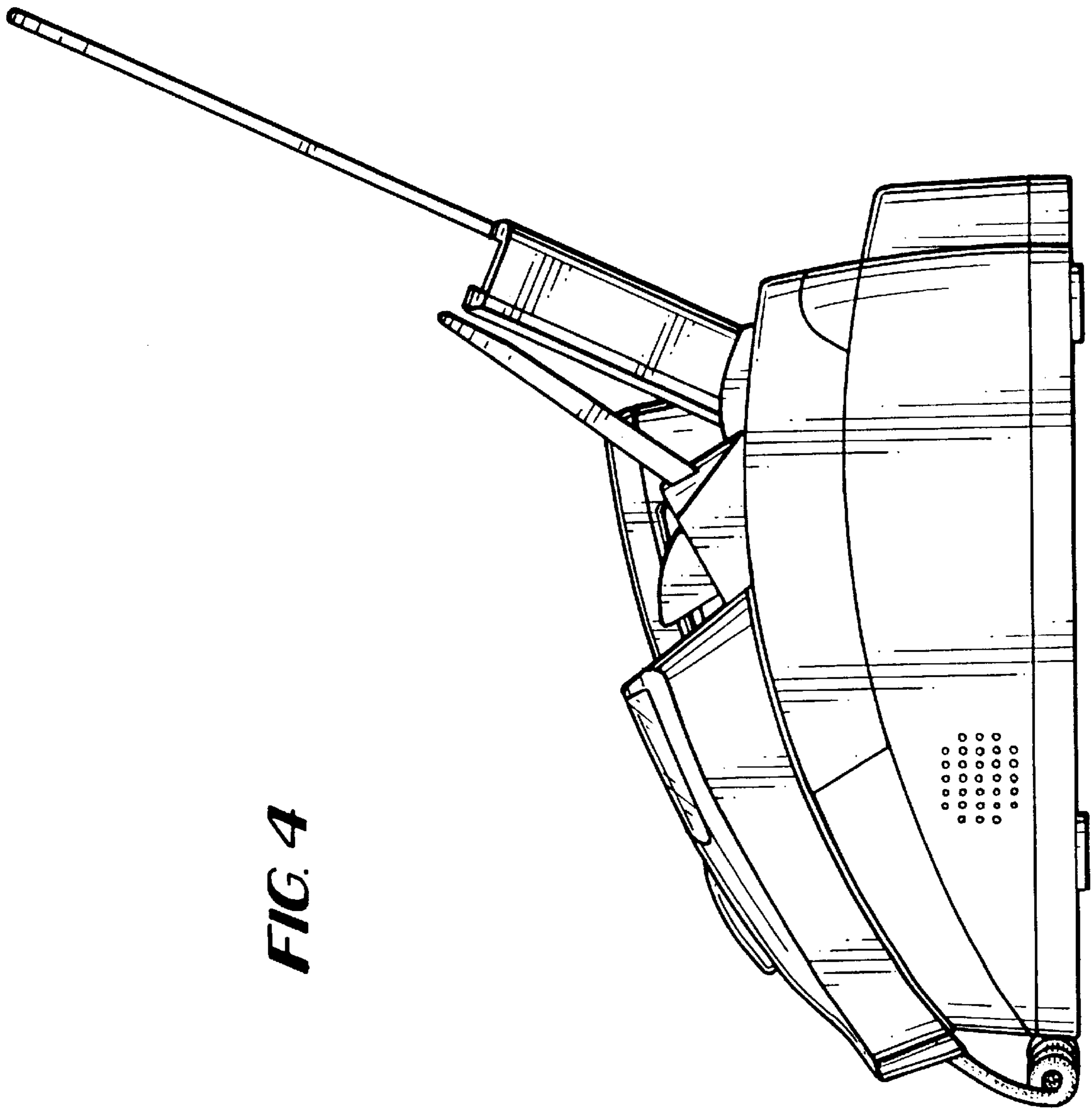


FIG. 4

FIG. 5

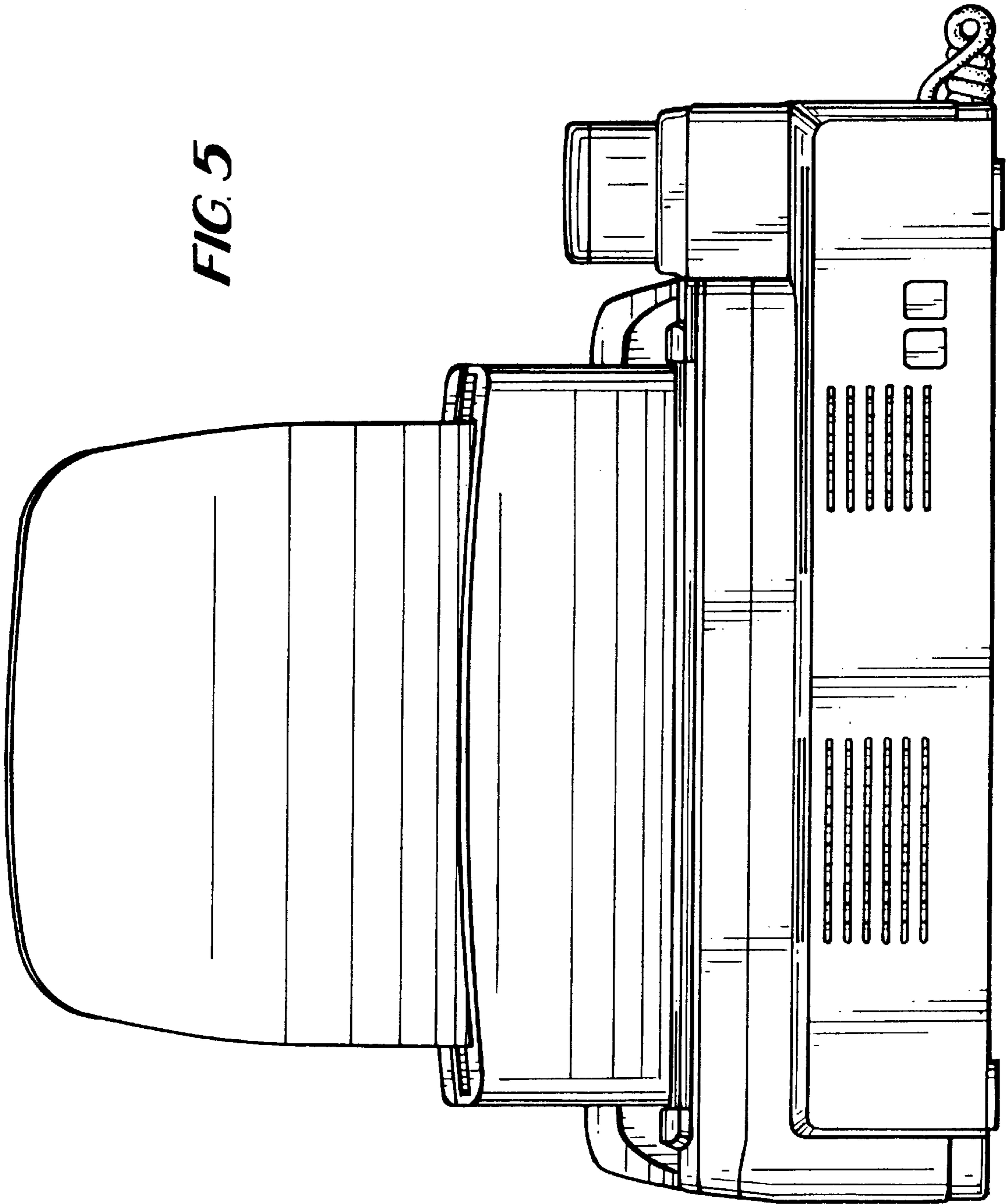


FIG. 6

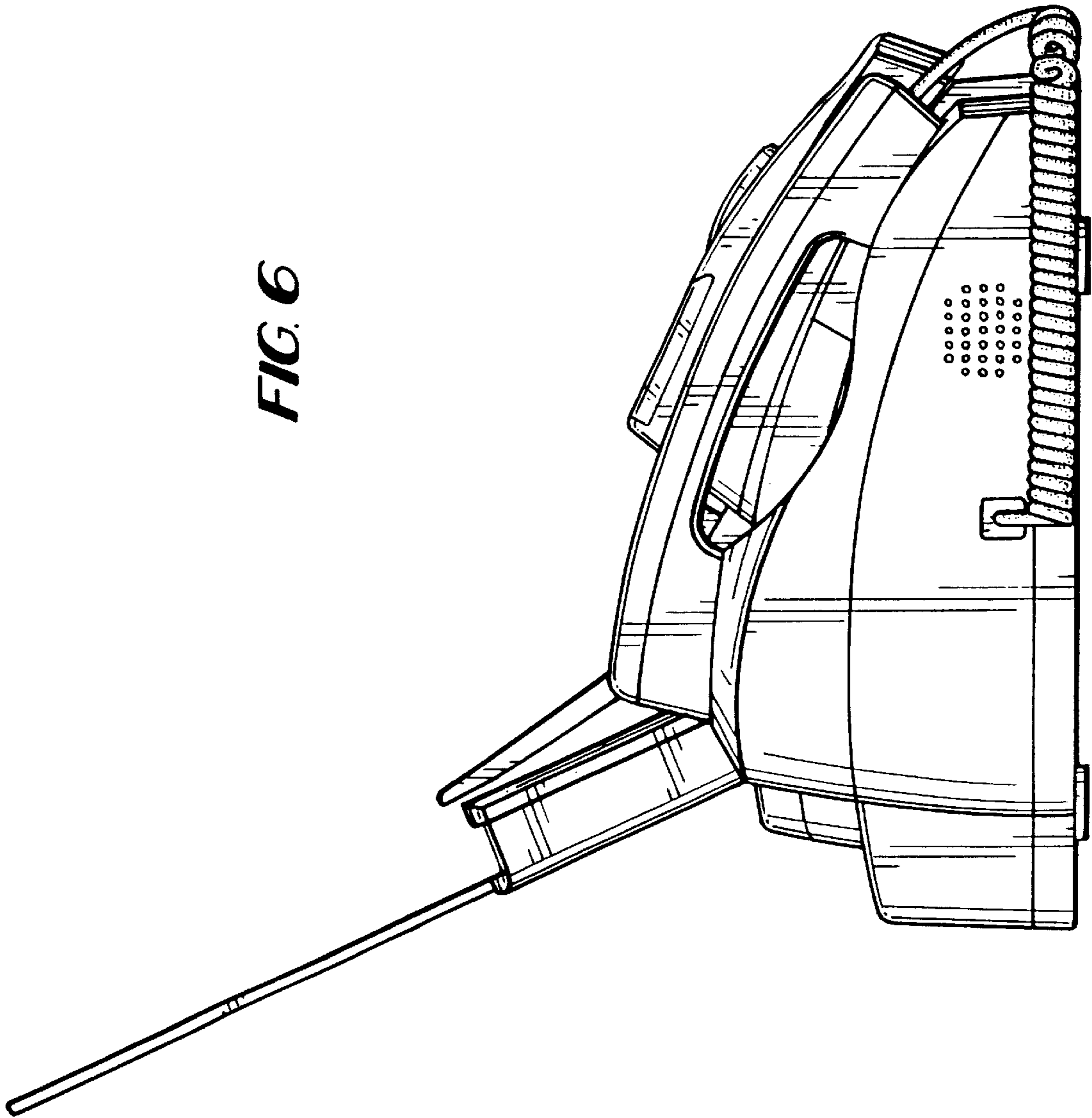


FIG. 7

