



US00D442603S

(12) **United States Design Patent**
Lam

(10) **Patent No.:** **US D442,603 S**

(45) **Date of Patent:** **** May 22, 2001**

(54) **COMPUTER ARMREST**

5,337,985 * 8/1994 Hale 248/174

(76) Inventor: **Luong Q Lam**, 4718 Meridian Ave., #
255, San Jose, CA (US) 95118

* cited by examiner

Primary Examiner—Kay H. Chin

(**) Term: **14 Years**

(57) **CLAIM**

(21) Appl. No.: **29/107,986**

The ornamental design for a computer armrest, as shown and described.

(22) Filed: **Jul. 17, 1999**

(51) **LOC (7) Cl.** **14-02**

(52) **U.S. Cl.** **D14/458; D14/452**

(58) **Field of Search** D14/432, 447,
D14/455, 457, 458, 460, 461; 248/118,
118.1, 118.3, 118.5, 918

DESCRIPTION

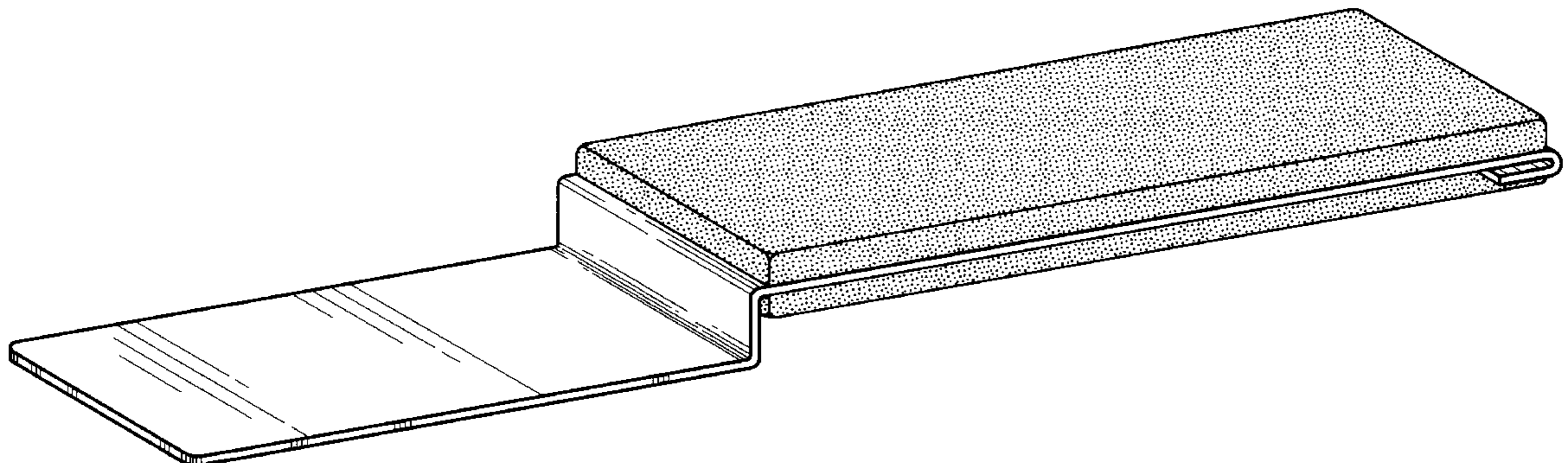
FIG. 1 is a top perspective view of a computer armrest showing my new design;
FIG. 2 is a bottom perspective view thereof;
FIG. 3 is a left side elevational view thereof;
FIG. 4 is a right side elevational view thereof;
FIG. 5 is a bottom plan view thereof;
FIG. 6 is a top plan view thereof; and,
FIG. 7 is a top perspective view thereof. The broken lines of platform and arrangement of the armrest are for illustrative purposes only and form no part of the claimed design.

(56) **References Cited**

U.S. PATENT DOCUMENTS

- D. 336,898 * 6/1993 Cherubini et al. D14/447
- D. 391,939 * 3/1998 Pappas D14/447
- D. 414,166 * 9/1999 De Paris D14/447
- 5,209,452 * 5/1993 Goldberg 248/676

1 Claim, 4 Drawing Sheets



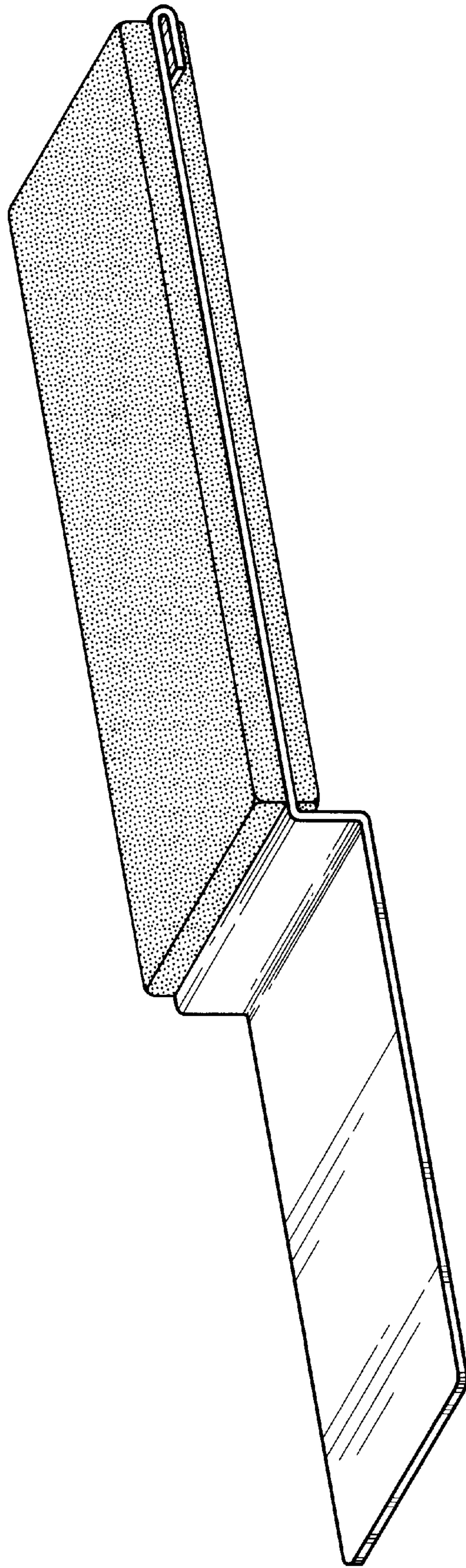


FIG. 1

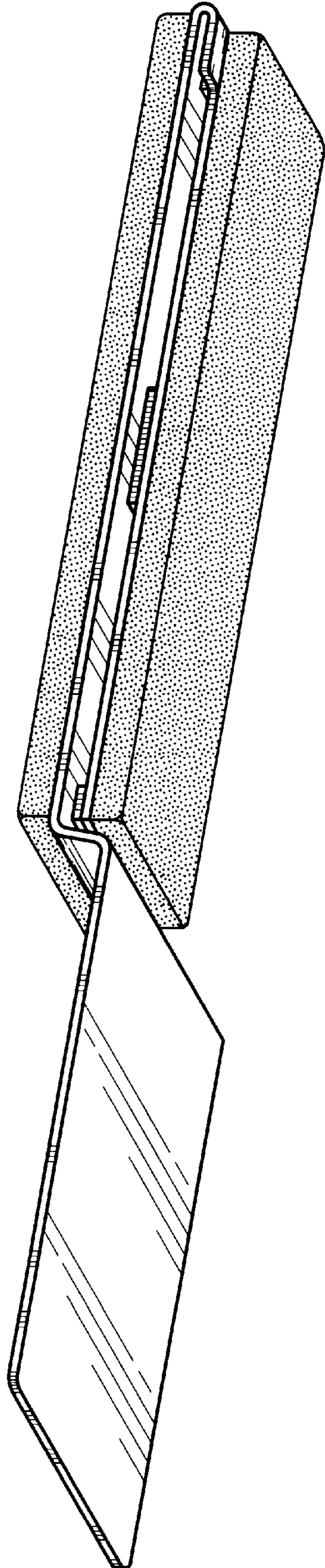


FIG. 2

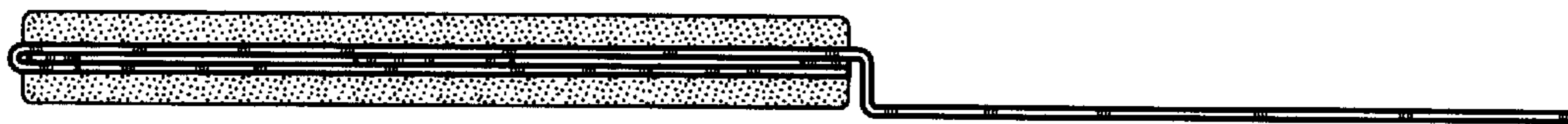


FIG. 3

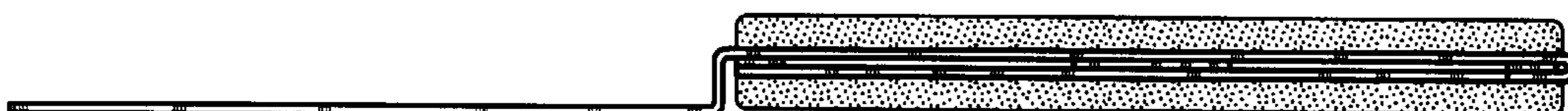


FIG. 4

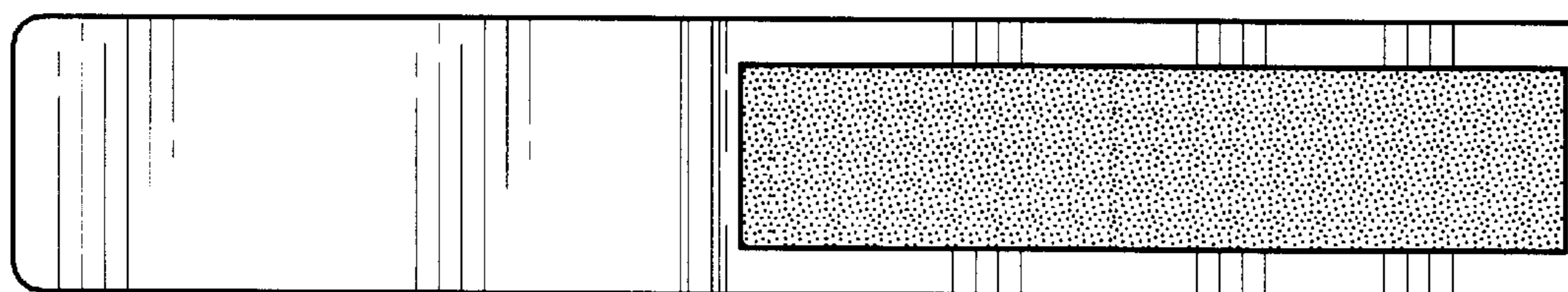


FIG. 5

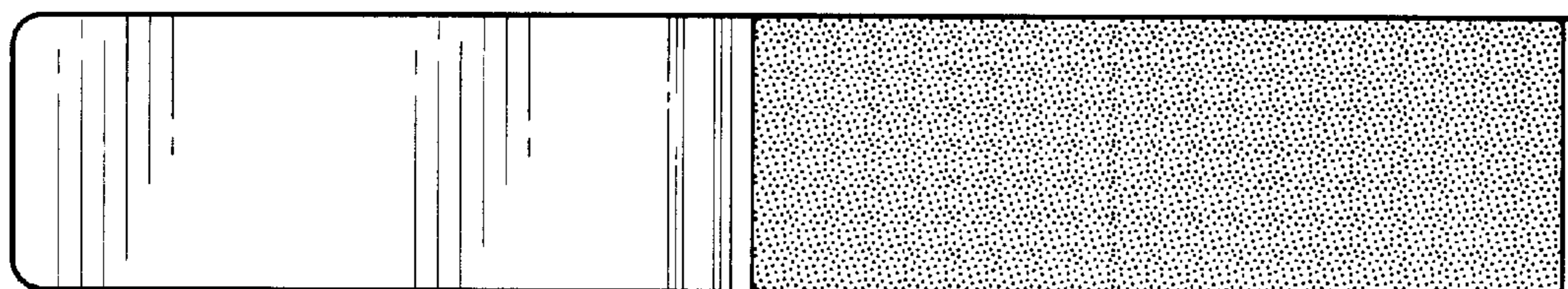


FIG. 6

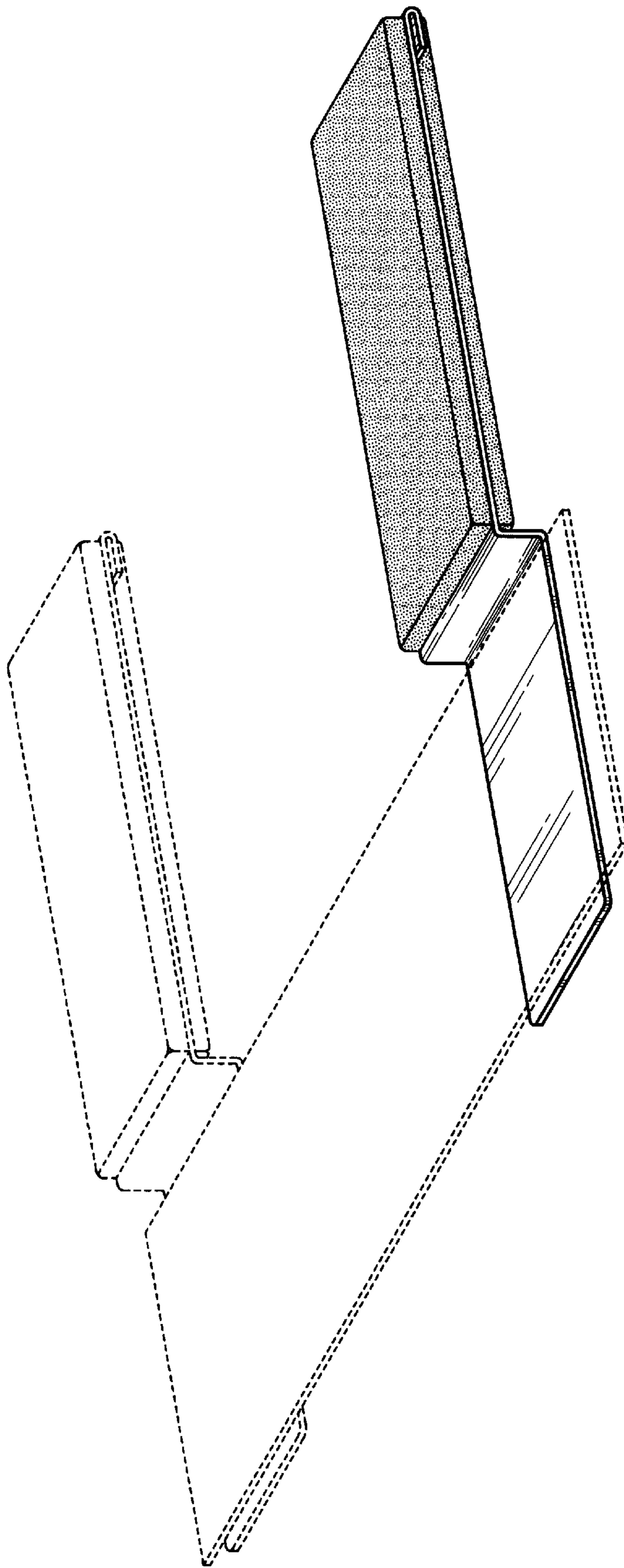


FIG. 7