



US00D442602S

(12) **United States Design Patent**  
**Jean et al.**

(10) **Patent No.:** **US D442,602 S**

(45) **Date of Patent:** **\*\* May 22, 2001**

(54) **COMPUTER FRONT BEZEL**

(75) Inventors: **Paul Jean**, Taipei; **Ko Chien Kan**,  
Tau-Yuan; **Ying Sheng Yeh**, Taipei, all  
of (TW)

(73) Assignee: **Hon Hai Precision Ind. Co., Ltd.**,  
Taipei Hsien (TW)

(\*\*) Term: **14 Years**

(21) Appl. No.: **29/126,842**

(22) Filed: **Jul. 24, 2000**

(30) **Foreign Application Priority Data**

Jun. 29, 2000 (TW) ..... 89304396

(51) **LOC (7) Cl.** ..... **14-02**

(52) **U.S. Cl.** ..... **D14/445**

(58) **Field of Search** ..... D14/441-445,  
D14/257, 258; D13/162, 184, 199, 164,  
177; 312/223.2; 361/600, 622, 724-728;  
360/97.01-99.12

(56) **References Cited**

**U.S. PATENT DOCUMENTS**

D. 314,568 \* 2/1991 Martin ..... D14/445

D. 363,477 \* 10/1995 Tinsley, Jr. et al. .... D14/445  
D. 407,078 \* 3/1999 Fu ..... D14/446  
D. 408,386 \* 4/1999 Yeh et al. .... D14/445

\* cited by examiner

*Primary Examiner*—Freda Nunn

(74) *Attorney, Agent, or Firm*—Wei Te Chung

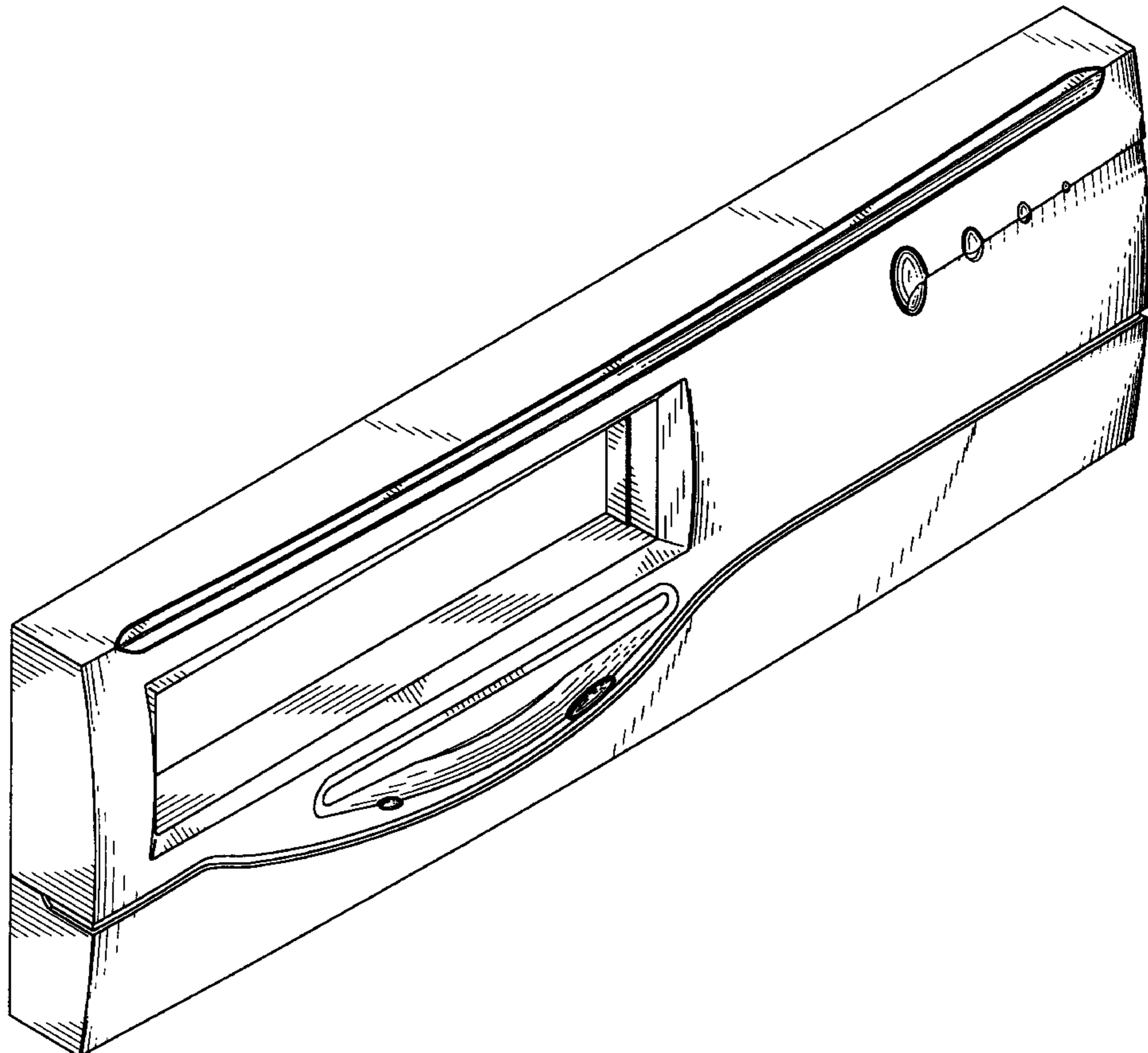
(57) **CLAIM**

The ornamental design for a computer front bezel, as shown  
and described.

**DESCRIPTION**

FIG. 1 is a perspective view of a computer front bezel  
showing our new design;  
FIG. 2 is a front elevational view thereof;  
FIG. 3 is a rear elevational view thereof;  
FIG. 4 is a left side elevational view thereof;  
FIG. 5 is a right side elevational view thereof;  
FIG. 6 is a top plan view thereof;  
FIG. 7 is a bottom plan view thereof; and,  
FIG. 8 is a perspective view thereof being mounted to a  
computer case which is shown in broken lines for illustrative  
purposes only and forms no part of the claimed design.

**1 Claim, 6 Drawing Sheets**



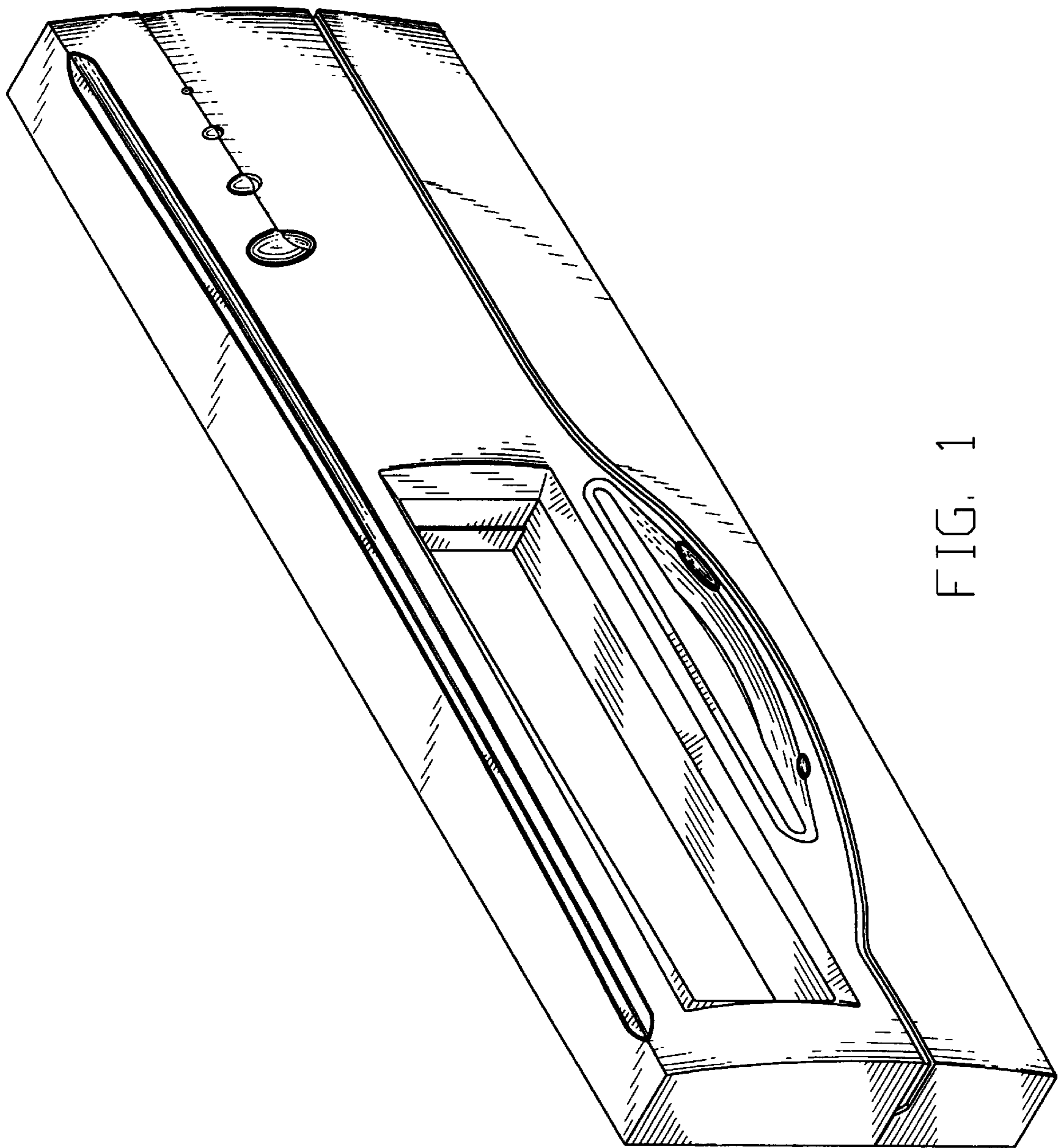


FIG. 1

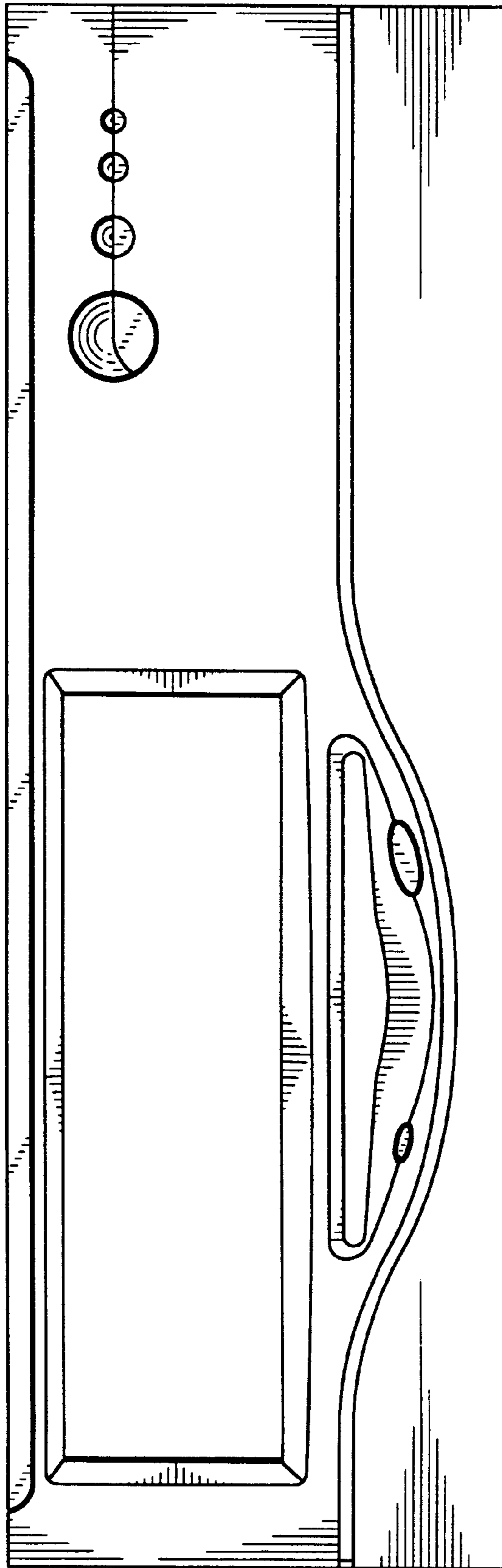


FIG. 2

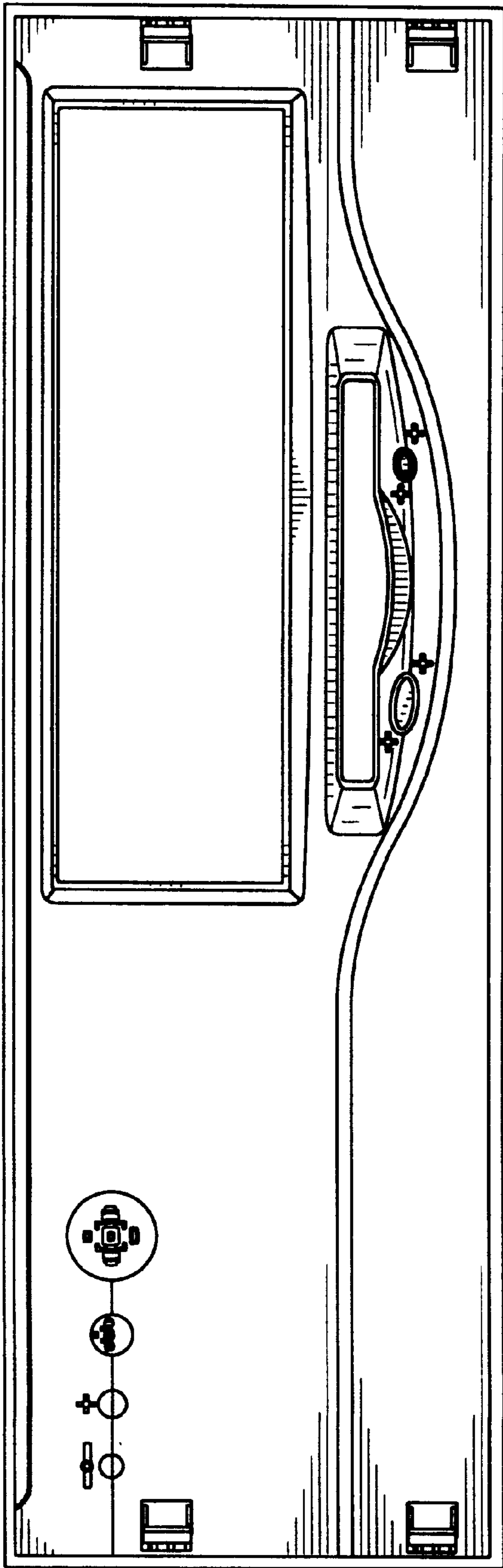


FIG. 3

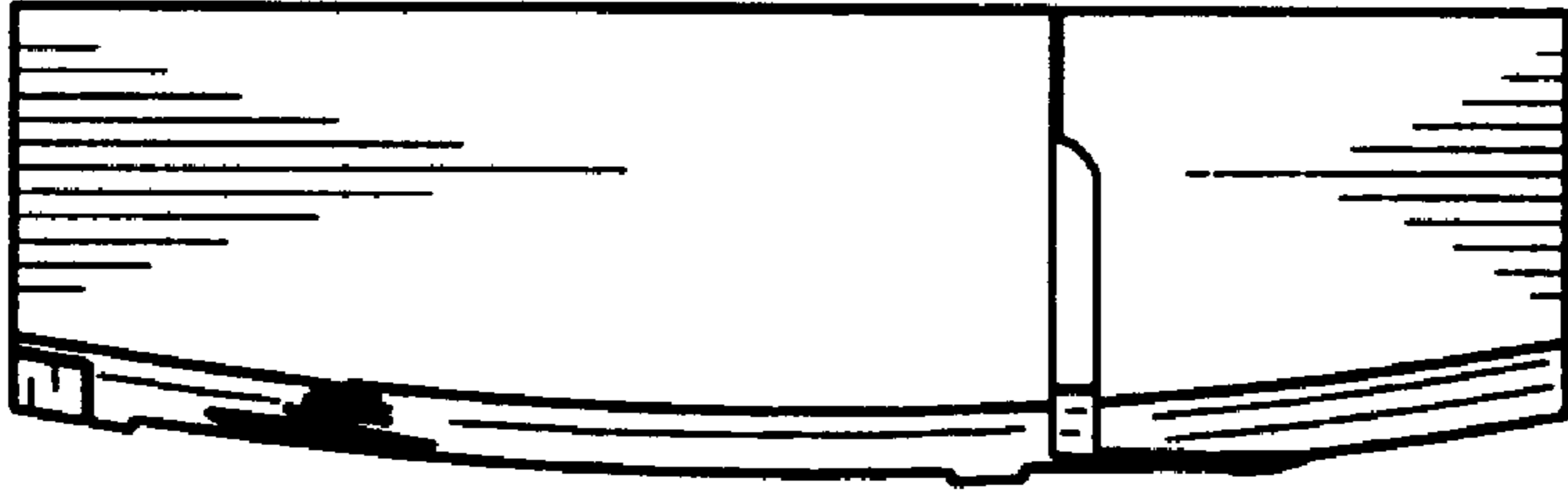


FIG. 5

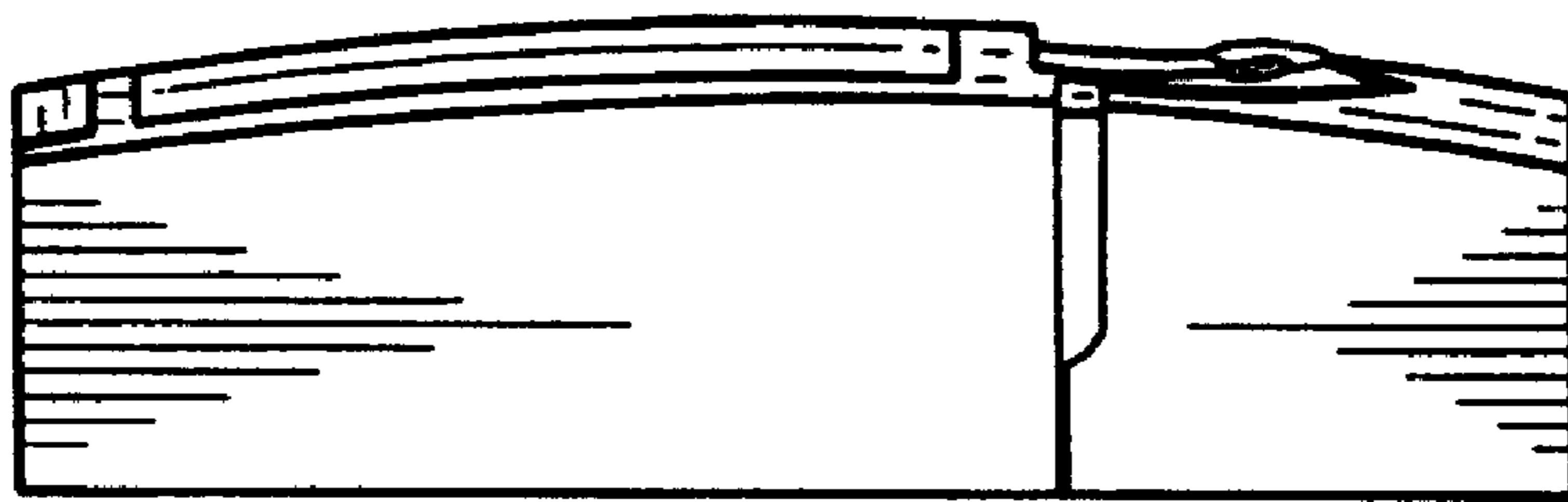


FIG. 4

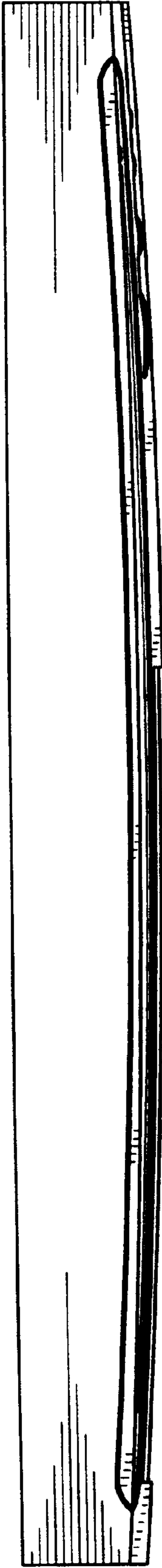


FIG. 6

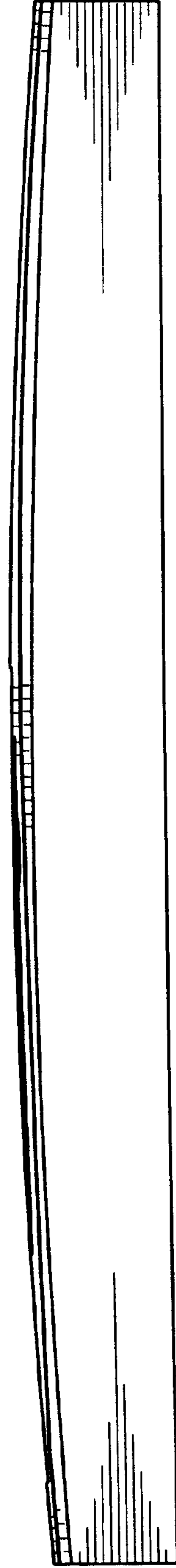


FIG. 7

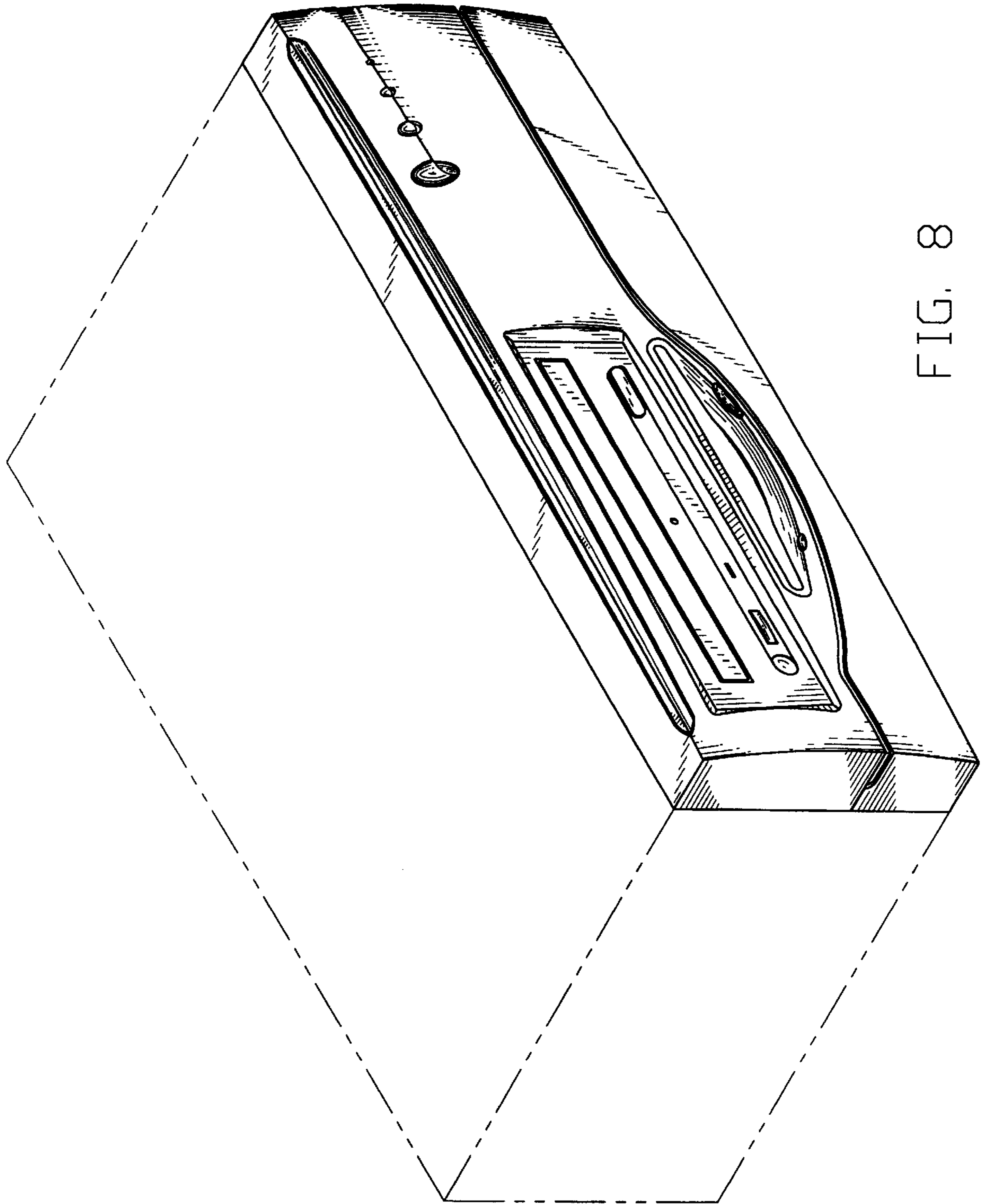


FIG. 8