



US00D442601S

(12) **United States Design Patent**
Goto

(10) **Patent No.:** **US D442,601 S**

(45) **Date of Patent:** **** May 22, 2001**

(54) **SUPPORT BASE FOR AN ELECTRIC DEVICE SUCH AS A COMPUTER, TV CONTROLLER, VIDEO GAME MACHINE, OR AUDIO OR VIDEO DISC PLAYER**

(75) **Inventor:** **Teiyu Goto, Tokyo (JP)**

(73) **Assignee:** **Sony Computer Entertainment Inc., Tokyo (JP)**

(**) **Term:** **14 Years**

(21) **Appl. No.:** **29/115,719**

(22) **Filed:** **Dec. 21, 1999**

(30) **Foreign Application Priority Data**

Aug. 26, 1999 (JP) 11-22650

(51) **LOC (7) Cl.** **14-02**

(52) **U.S. Cl.** **D14/442**

(58) **Field of Search** D14/439-47, 217, D14/239, 299, 126; D21/324, 333; D6/449, 491, 445, 396, 512; 248/125.1, 127, 133, 177.1, 178.1, 179.1, 183.1, 346.01, 346.02, 188.2, 917-24; 200/5 R, 5 A, 6 R, 6 A; 361/679-85; D13/184, 199

(56) **References Cited**

U.S. PATENT DOCUMENTS

- D. 270,026 * 8/1983 Whitford .
- D. 287,365 * 12/1986 Judd .
- D. 330,021 * 10/1992 Kline et al. .
- D. 330,705 * 11/1992 Gowda et al. .
- D. 338,882 * 8/1993 Reiter .
- D. 349,696 * 8/1994 Hames .
- D. 350,536 9/1994 NcKnight et al. D14/114
- D. 361,561 * 8/1995 Baudot .
- D. 362,245 * 9/1995 Moffatt .
- D. 383,728 9/1997 Yurkonis et al. D14/100

- D. 416,878 * 11/1999 Yeh et al. .
- 4,856,659 * 8/1989 Krebs .

FOREIGN PATENT DOCUMENTS

- 9602827 12/1996 (DE) .
- 1035752 4/1999 (JP) .

OTHER PUBLICATIONS

- “InfoMac,” MacWorld Expo Taiwan, Feb. 1996.
- “The Third Wave,” p. 38, May 1998.
- “Storage Plus,” p. 408, Computer Product, Jan. 1996.
- “PlayStation2” Atari, Falcon 040 (1993), Oct. 1999, <http://www.iris.dti.ne.jp/~spe/game/ps2/ps2.htm>.
- “Atari Falcon 030” Atari MicroBox, <http://www.best.com/~hmk/afcon.htm>, 1993.

* cited by examiner

Primary Examiner—M. H. Tung

(74) *Attorney, Agent, or Firm*—Rader, Fishman & Grauer

(57) **CLAIM**

The ornamental design for a support base for an electric device such as a computer, TV controller, video game machine, or audio or video disc player, as shown and described.

DESCRIPTION

FIG. 1 is a perspective view of a support base for an electric device such as a computer, TV controller, video game machine, or audio or video disc player showing my new design, on a reduced scale;

FIG. 2 is a front elevational view thereof;

FIG. 3 is a top plan view thereof;

FIG. 4 is a rear elevational view thereof;

FIG. 5 is a left side elevational view thereof;

FIG. 6 is right side elevational view thereof; and,

FIG. 7 is a bottom plan view thereof.

1 Claim, 2 Drawing Sheets

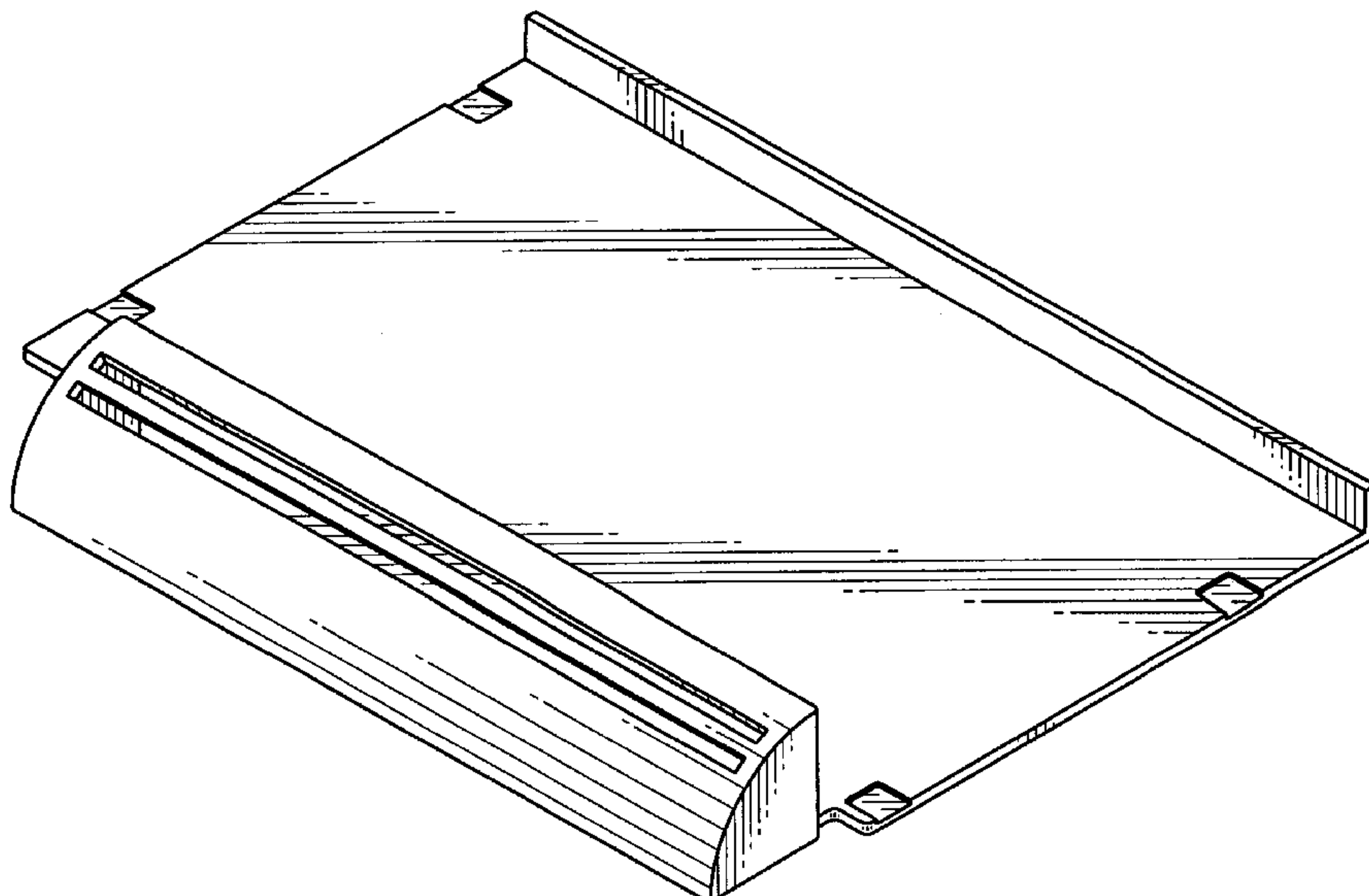




FIG. 6

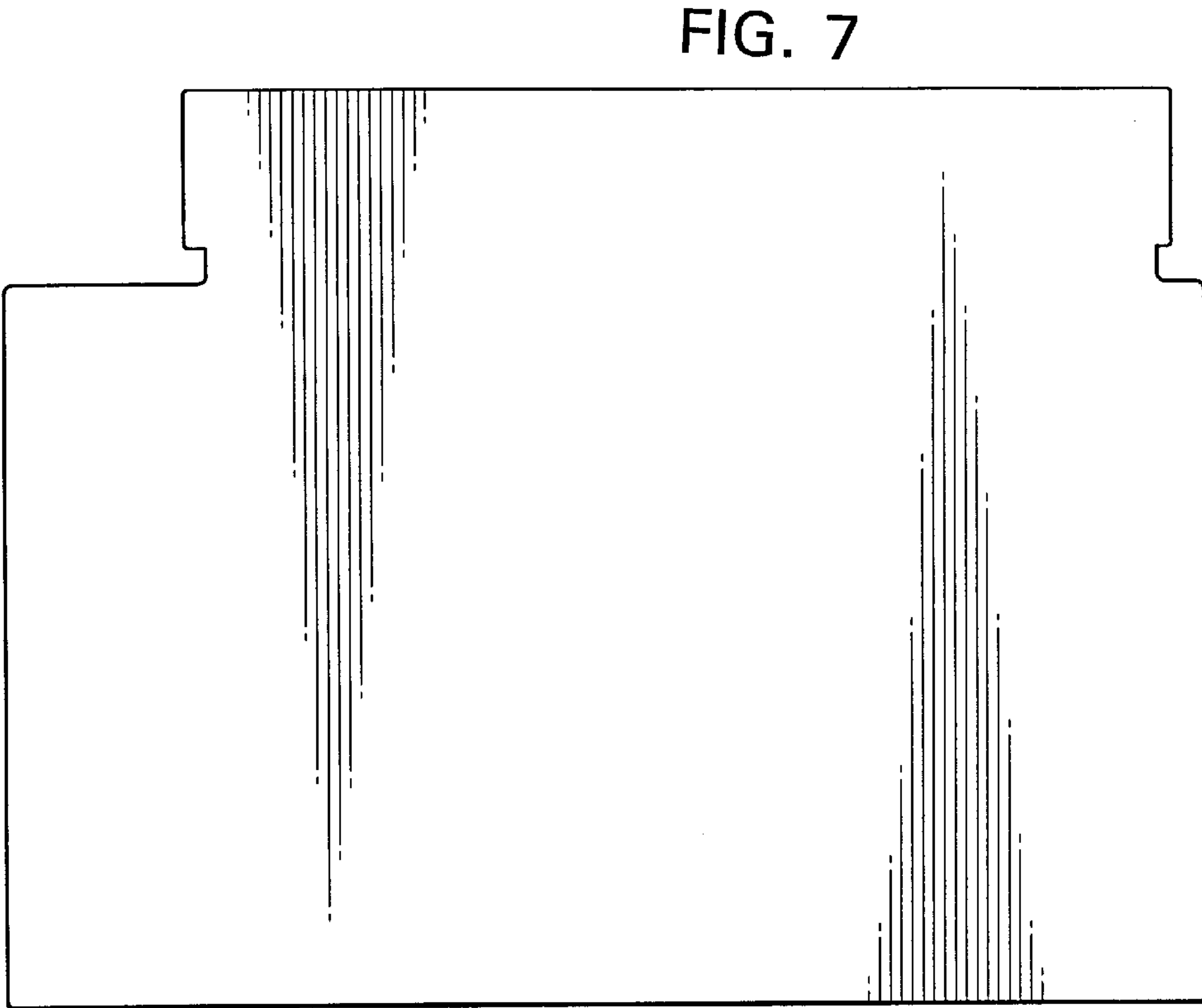


FIG. 7

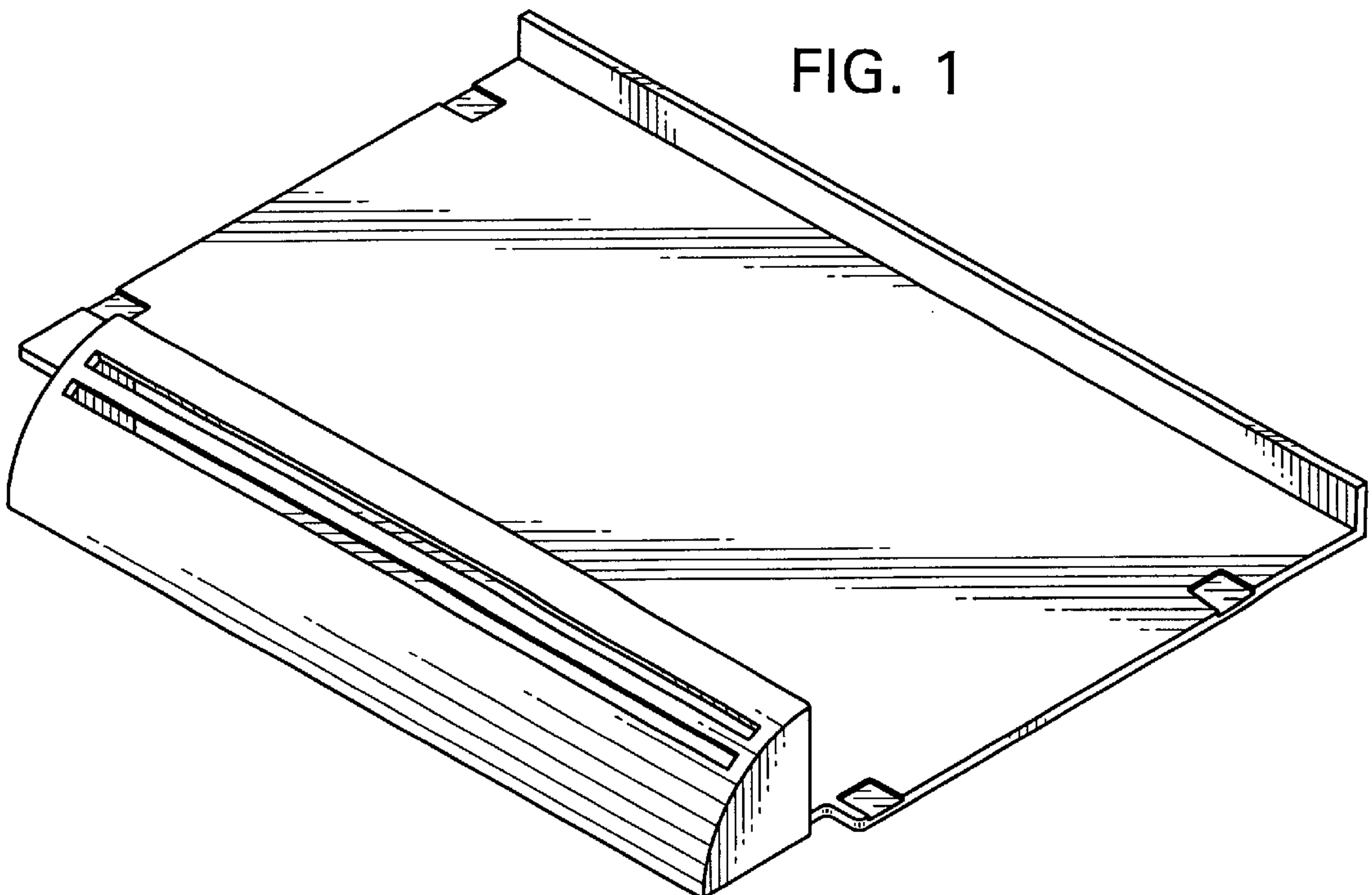


FIG. 1

FIG. 2

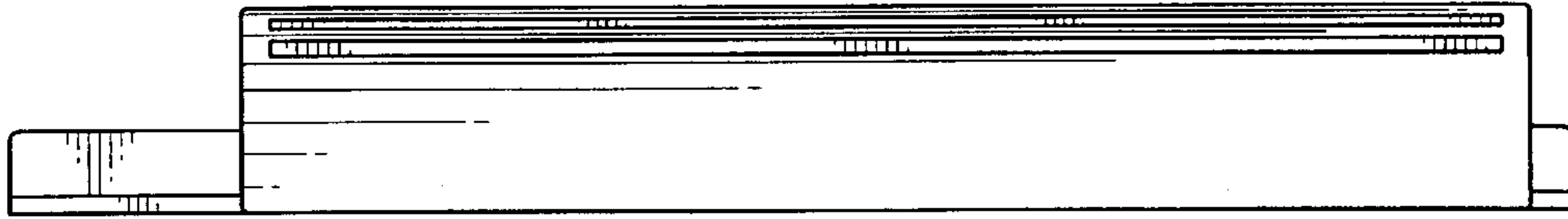


FIG. 3

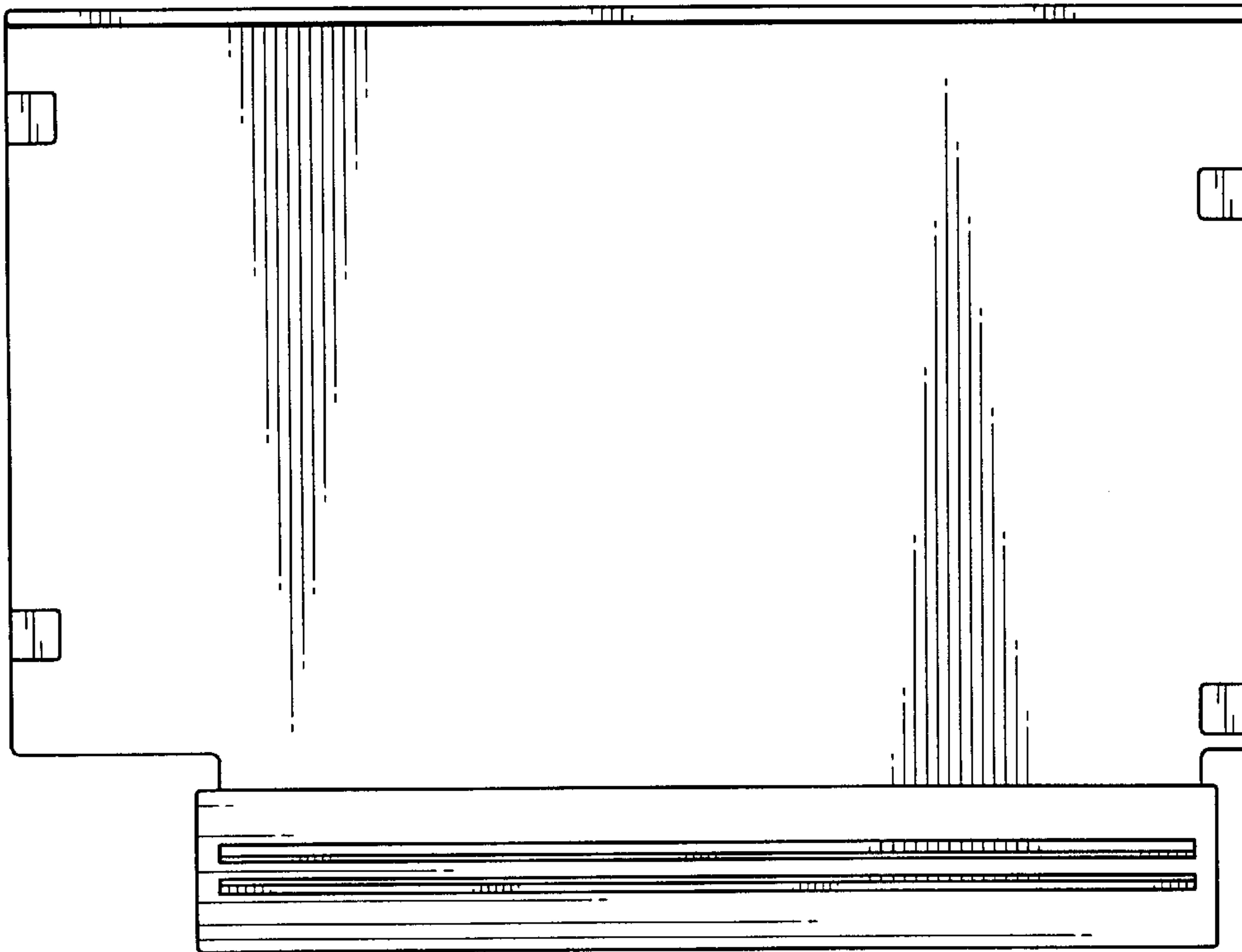


FIG. 4

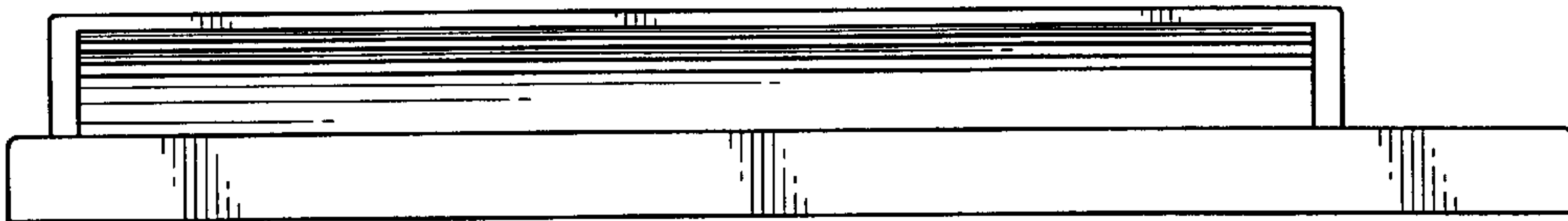
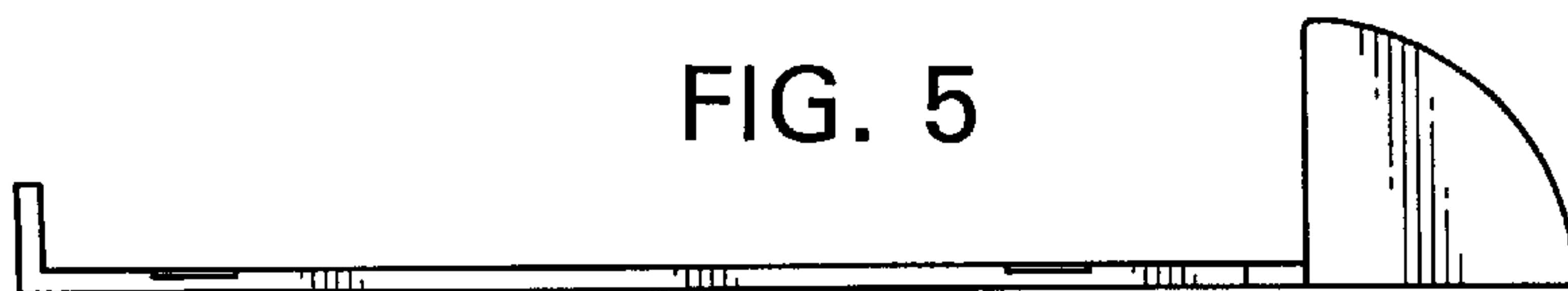


FIG. 5



Disclaimer

Des. 442,601—Teiyu Goto, Tokyo, Japan. SUPPORT BASE FOR AN ELECTRIC DEVICE SUCH AS A COMPUTER, TV CONTROLLER, VIDEO GAME MACHINE, OR AUDIO OR VIDEO DISC PLAYER. Patent dated May 22, 2001. Disclaimer filed February 11, 2003, by the assignee, Sony Computer Entertainment Inc.

The term of this patent shall not extend beyond the expiration date of Pat. Nos. D. 452,867 and D. 441,759.

(Official Gazette, July 15, 2003)