



US00D442596S

(12) **United States Design Patent**
Lin et al.

(10) **Patent No.:** **US D442,596 S**

(45) **Date of Patent:** **** May 22, 2001**

(54) **BAR CODE READER**

(75) Inventors: **Horng-Jaan Lin; Charles R. Copus,**
both of Lawrenceville, GA (US)

(73) Assignee: **NCR Corporation,** Dayton, OH (US)

(**) Term: **14 Years**

(21) Appl. No.: **29/118,956**

(22) Filed: **Feb. 18, 2000**

(51) **LOC (7) Cl.** **14-02**

(52) **U.S. Cl.** **D14/421**

(58) **Field of Search** D14/420-31; D19/41-51;
235/375, 378, 385, 454, 462.15, 472.02;
382/312-15, 321, 318-19; 250/203.1, 216,
566; D26/37, 45, 50

(56) **References Cited**

U.S. PATENT DOCUMENTS

- D. 366,652 * 1/1996 Ichinose .
- D. 377,342 1/1997 Lin D14/107
- D. 384,651 * 10/1997 Sandor et al. .
- D. 412,520 * 8/1999 Krastel et al. .

- D. 412,701 * 8/1999 Cantu .
- 4,652,732 * 3/1987 Nickl .
- 5,229,588 7/1993 Detwiler et al. 235/467
- 5,347,593 * 9/1994 Klinefelter .
- 5,459,308 * 10/1995 Detwiler et al. .

* cited by examiner

Primary Examiner—M. H. Tung

(74) *Attorney, Agent, or Firm*—Paul W. Martin

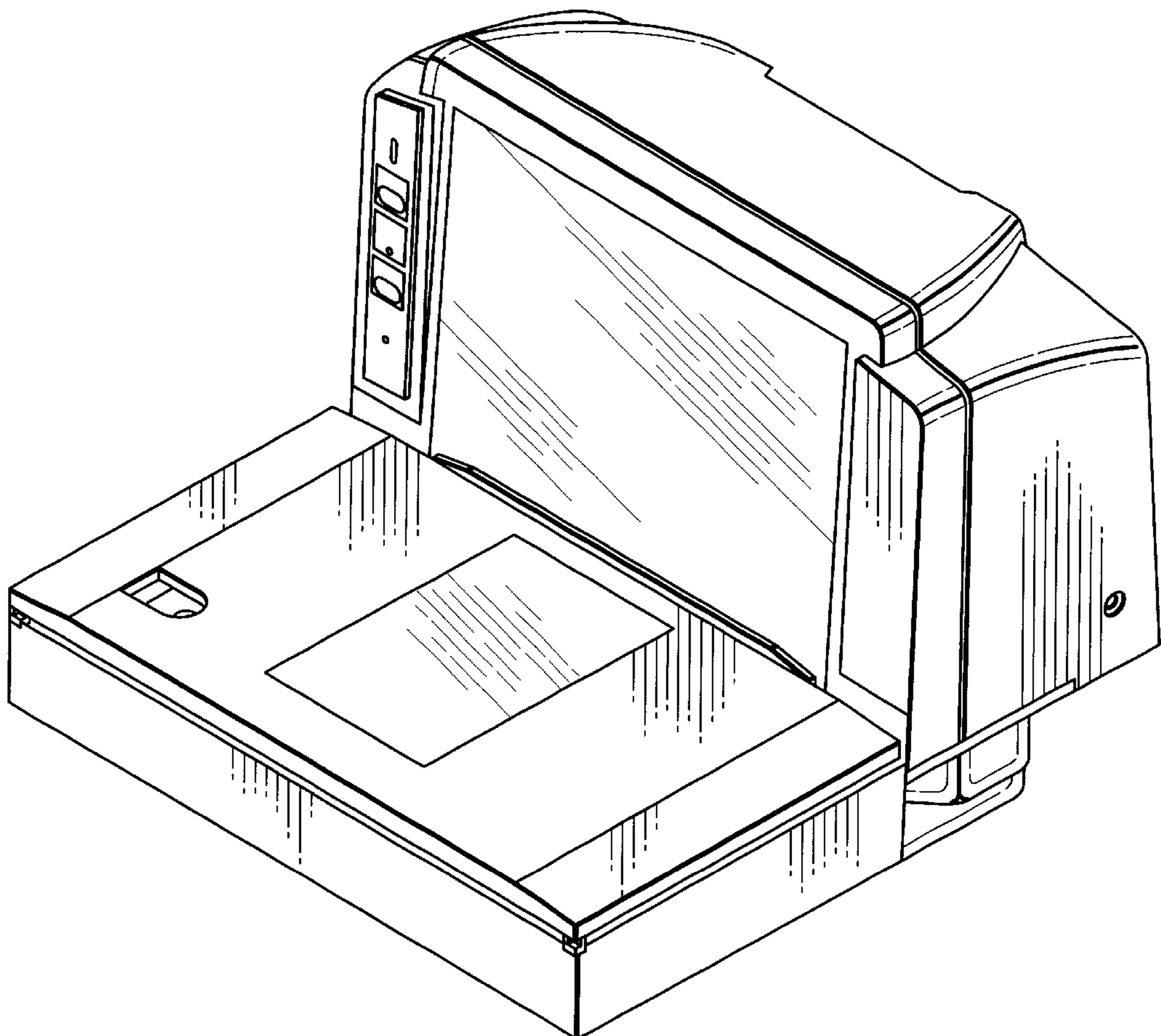
(57) **CLAIM**

The ornamental design for a bar code reader, as shown and described.

DESCRIPTION

FIG. 1 is a front view of the bar code reader;
 FIG. 2 is a bottom view;
 FIG. 3 is a right side view;
 FIG. 4 is a left side view;
 FIG. 5 is a top view; and,
 FIG. 6 is a perspective view, on a reduced scale.
 The rear view is not shown because it is not part of the claimed design.

1 Claim, 6 Drawing Sheets



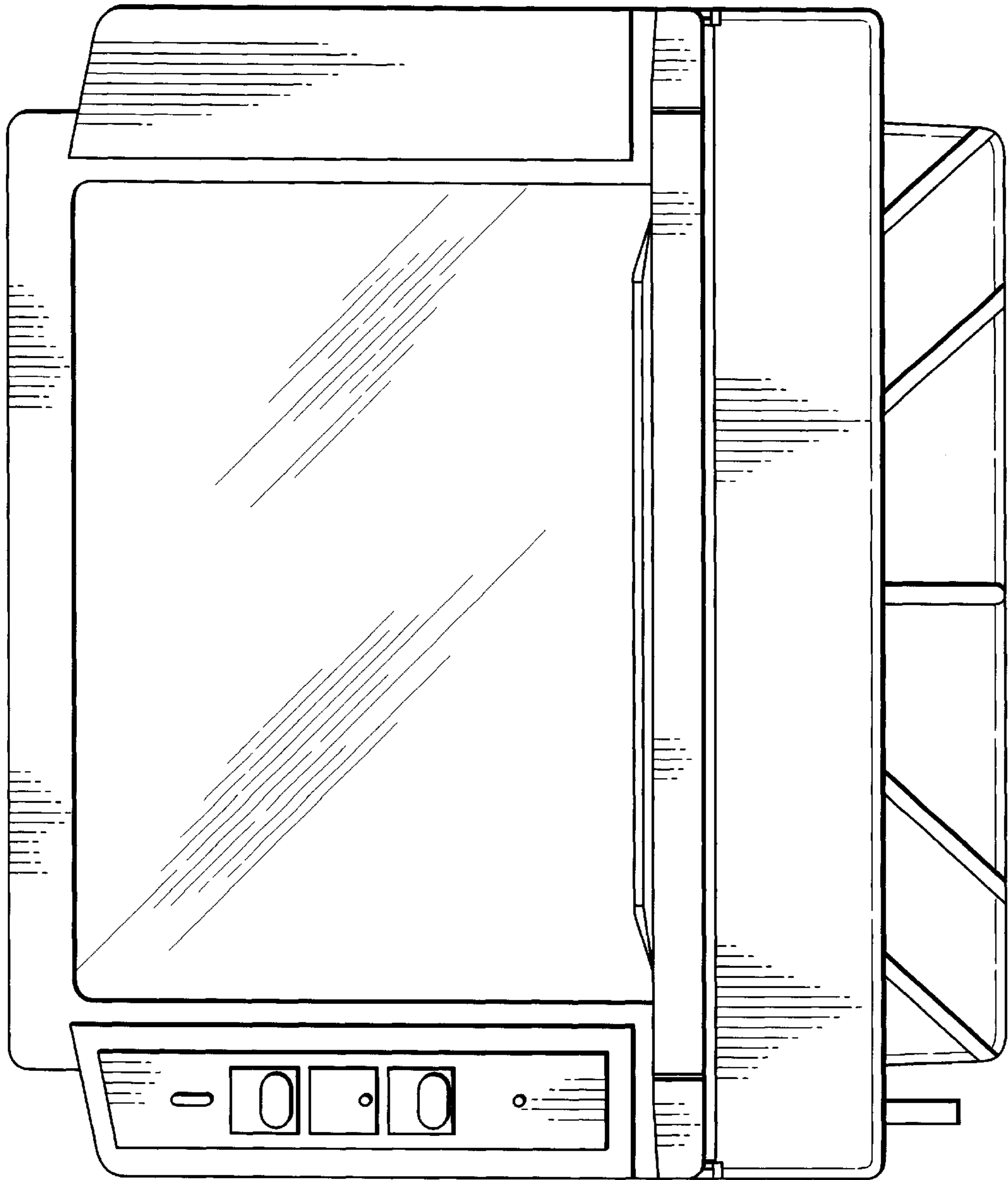


FIG. 1

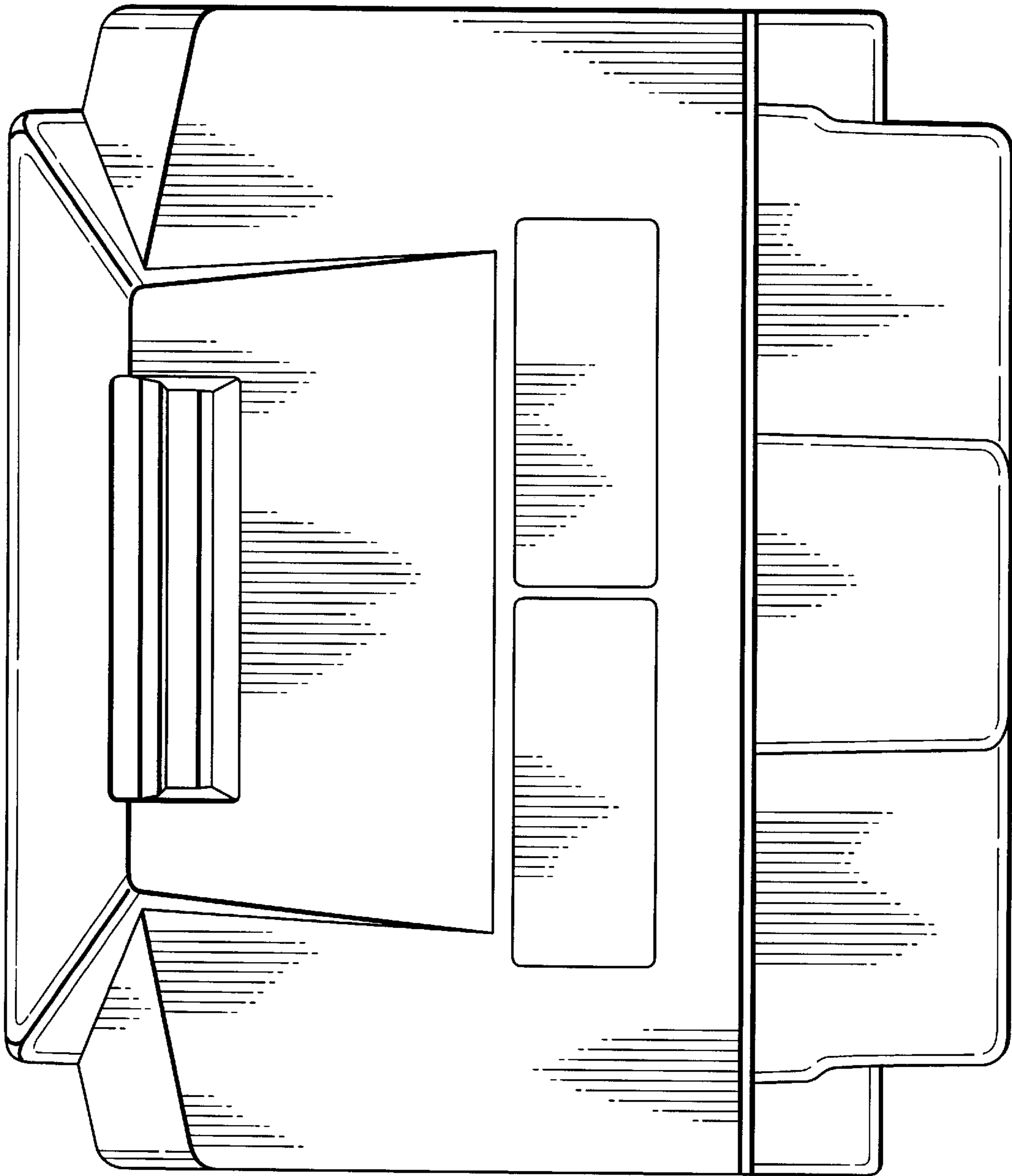


FIG. 2

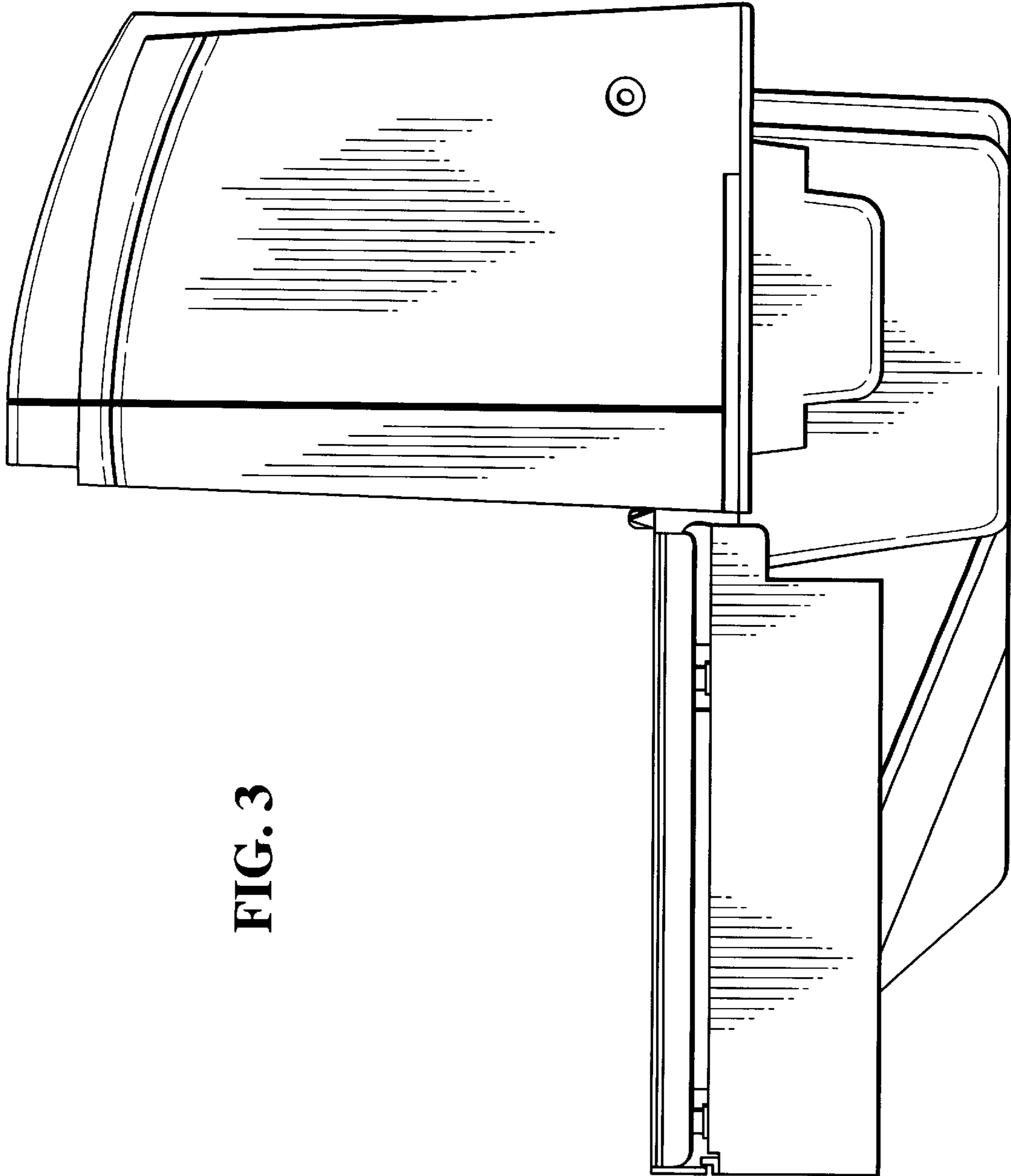


FIG. 3

FIG. 4

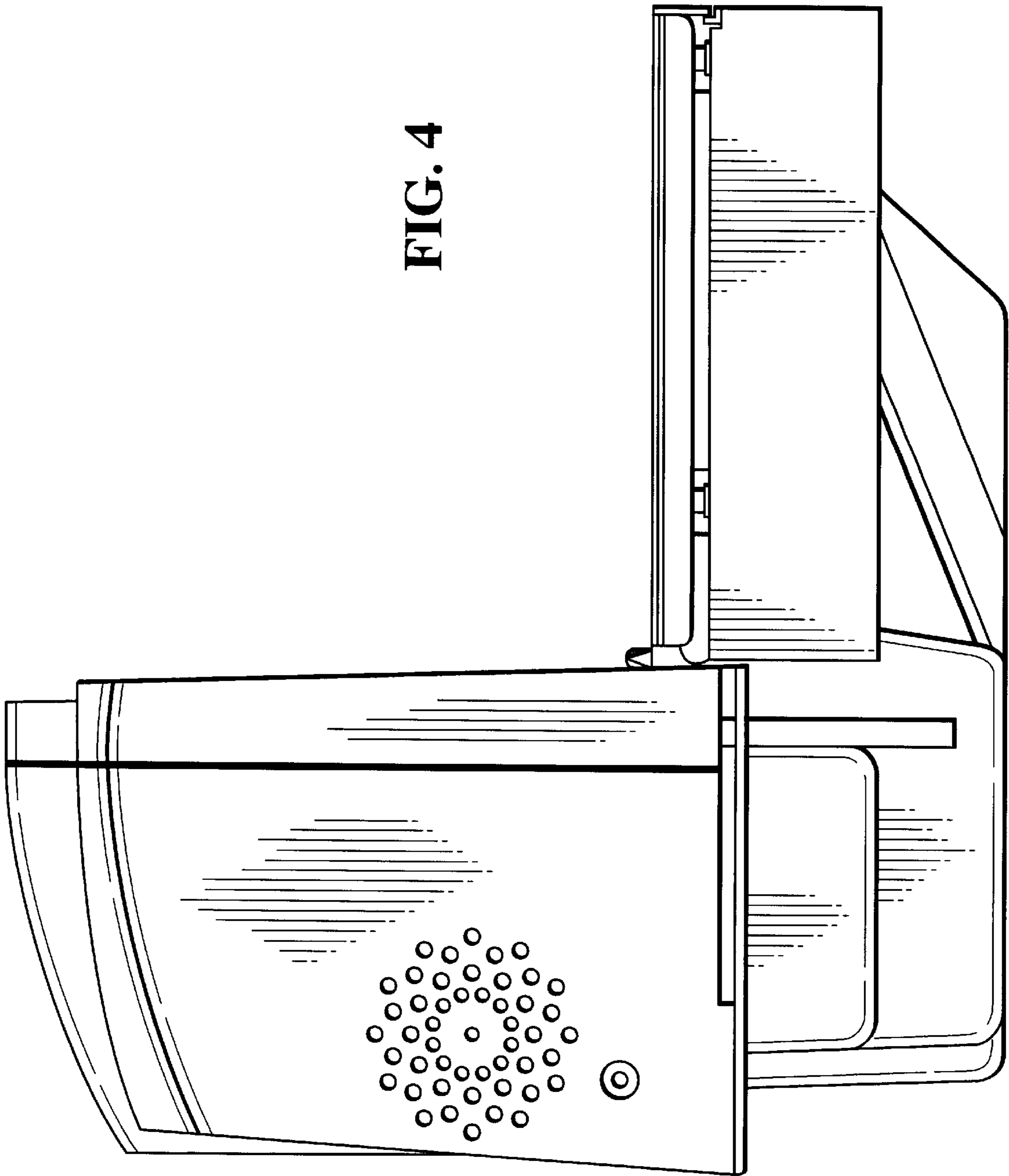
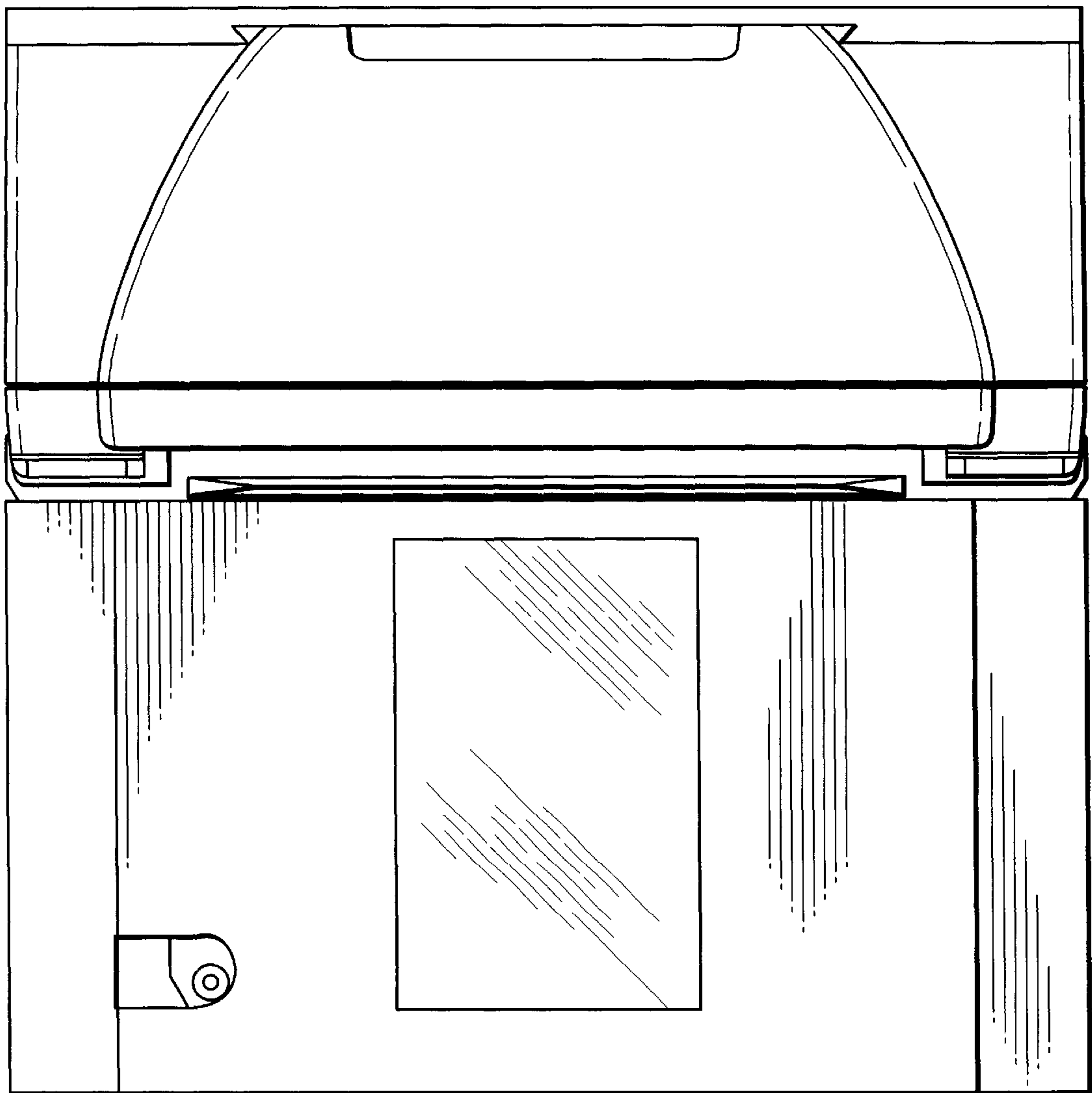


FIG. 5



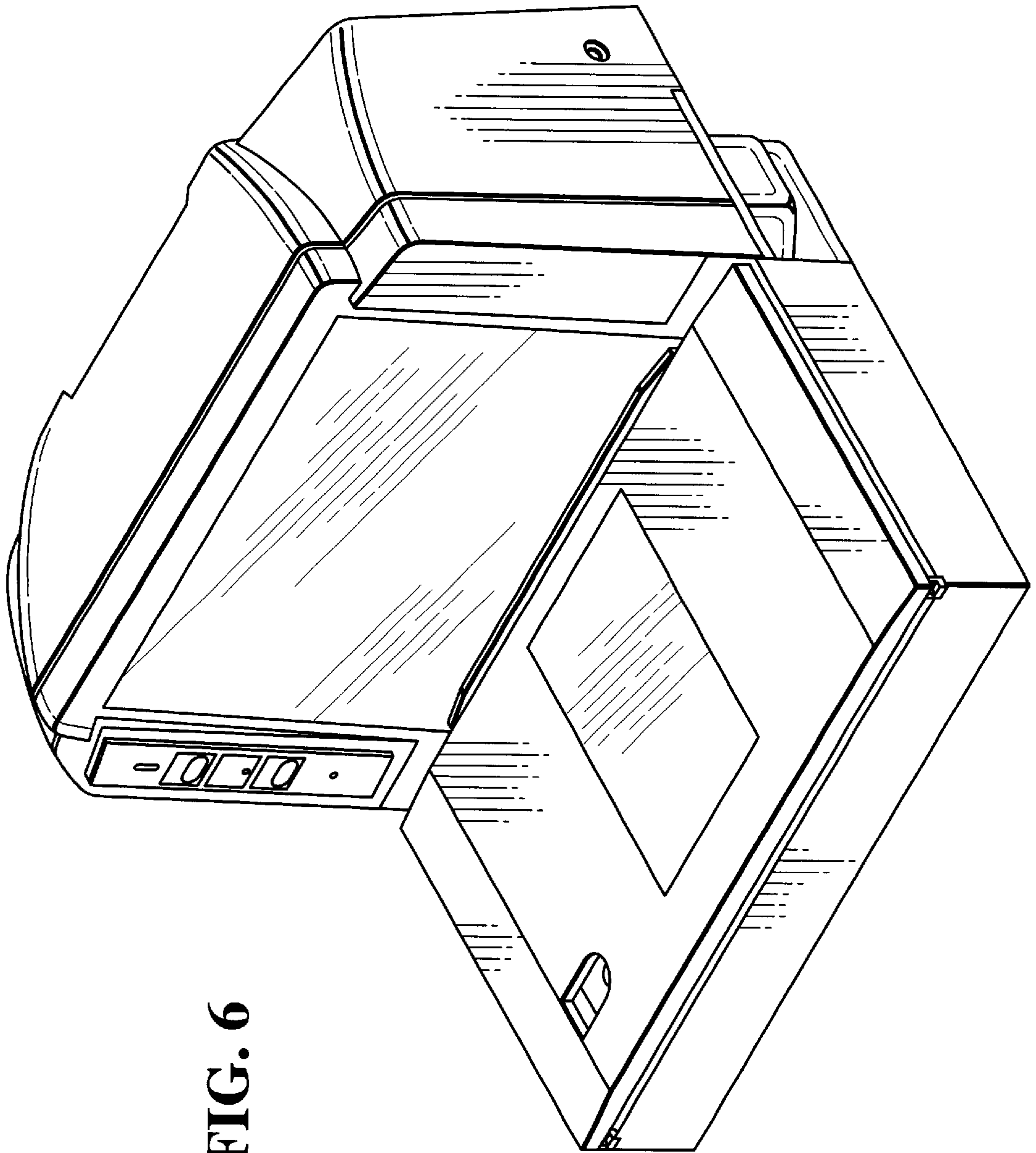


FIG. 6