



US00D442594S

(12) **United States Design Patent**  
**Hervig et al.**

(10) **Patent No.:** **US D442,594 S**

(45) **Date of Patent:** **\*\* May 22, 2001**

(54) **COMPUTER MOUSE WITH BULLET SHAPE**

(76) Inventors: **Dana P. Hervig**, 1450 102nd St. E.,  
Inver Grove Heights, MN (US) 55077;  
**Dennis D. Heard**, 4509 2nd Ave. S.,  
Mpls., MN (US) 55409

(\*\*) Term: **14 Years**

(21) Appl. No.: **29/132,432**

(22) Filed: **Nov. 8, 2000**

(51) **LOC (7) Cl.** ..... **14-02**

(52) **U.S. Cl.** ..... **D14/403; D14/402**

(58) **Field of Search** ..... D14/402-410,  
D14/417, 432; 200/5 R, 5 A, 6 R, 6 A;  
273/148 B; 345/156-167; 74/471 XY; 463/36,  
37, 38

(56) **References Cited**

**U.S. PATENT DOCUMENTS**

D. 288,930 \* 3/1987 Barbera et al. .... D14/402

D. 378,516 \* 3/1997 Smith et al. .... D14/403

D. 386,161 \* 11/1997 Young ..... D14/403

D. 423,480 \* 4/2000 Smith et al. .... D14/403

\* cited by examiner

*Primary Examiner*—Kay H. Chin

(57) **CLAIM**

The ornamental design for a computer mouse with bullet shape, as shown.

**DESCRIPTION**

FIG. 1 is a top perspective view.

FIG. 2 is a rear elevational view.

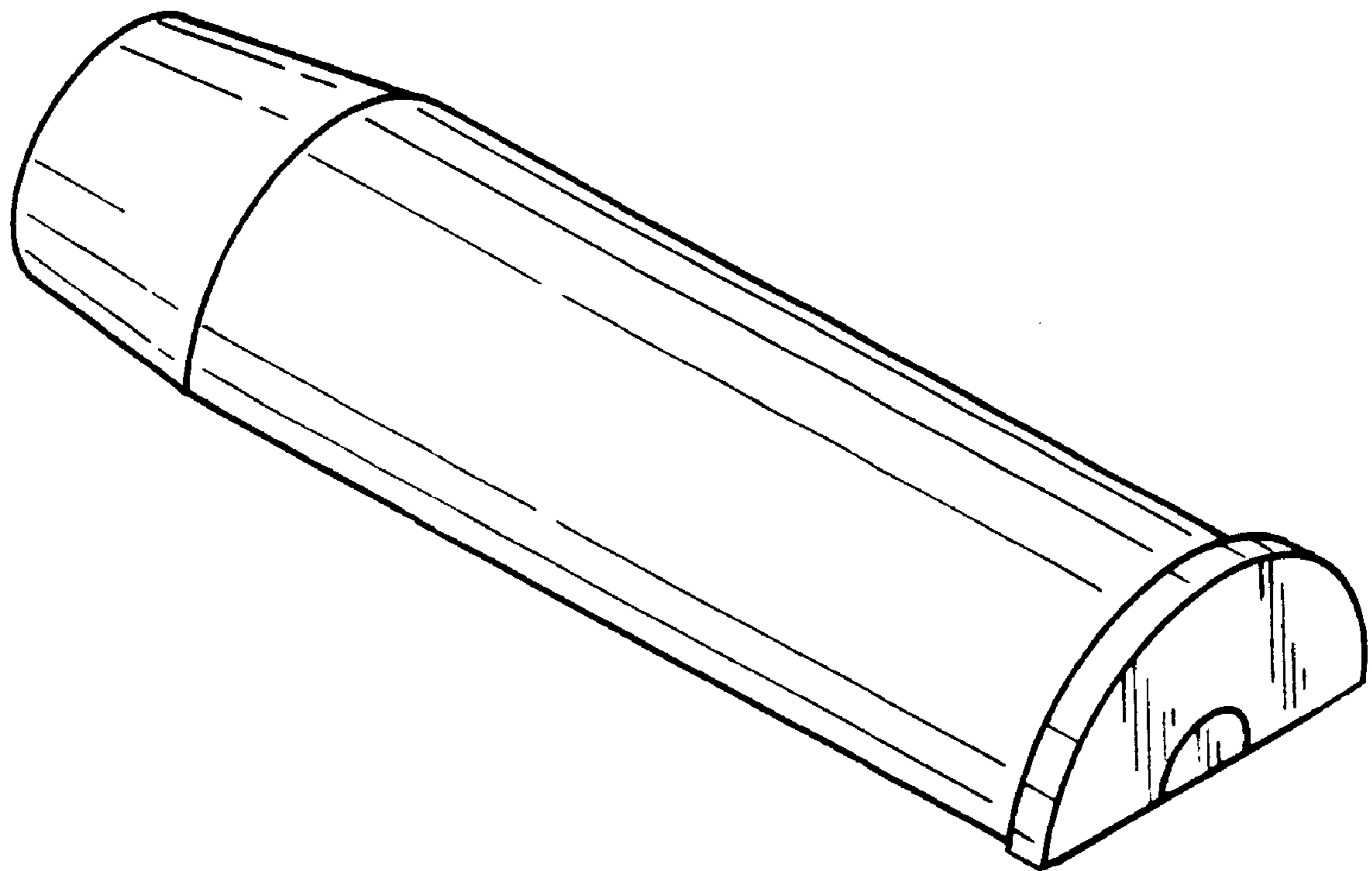
FIG. 3 is a front elevational view.

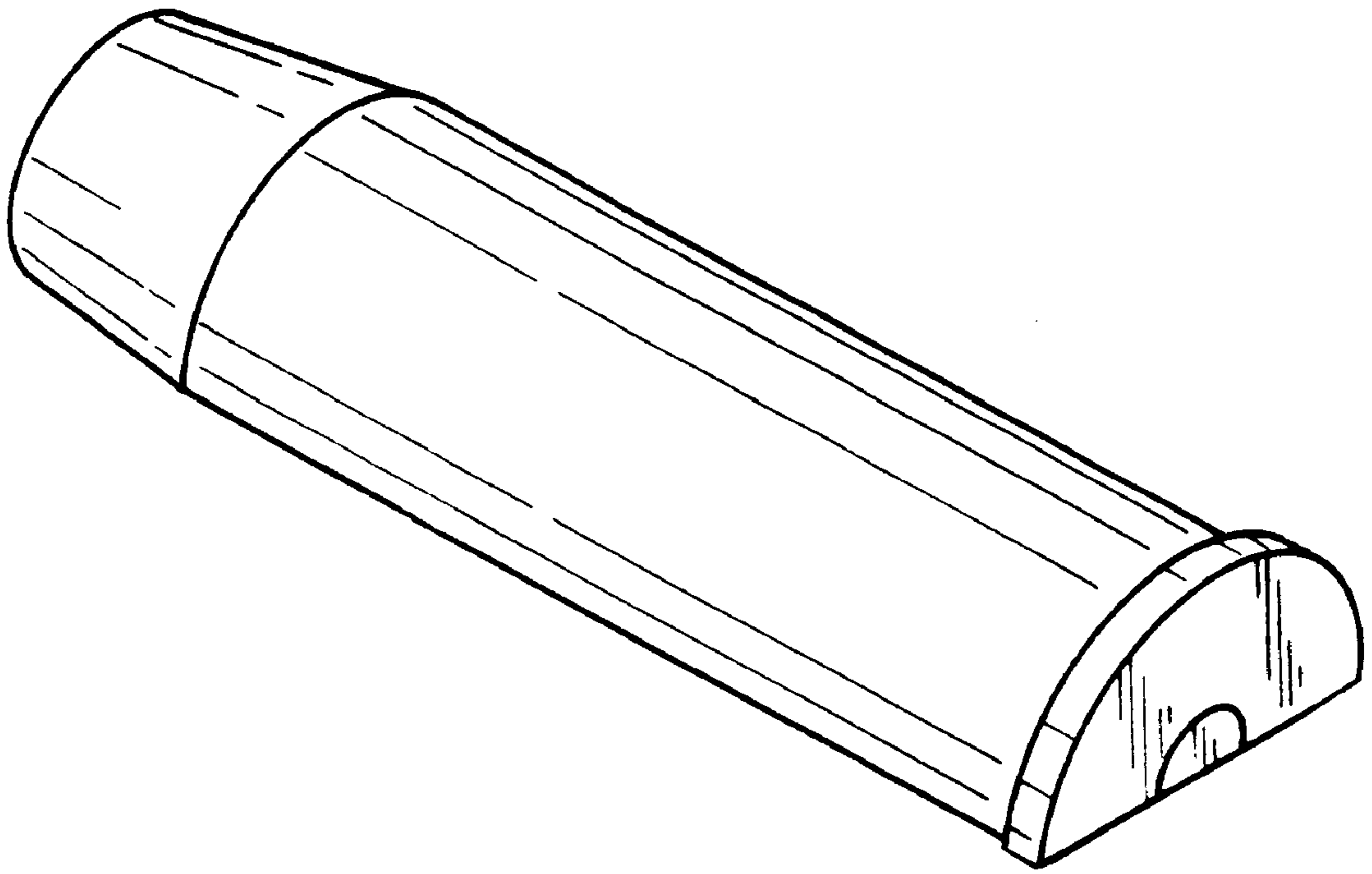
FIG. 4 is a side view shown in FIG. 1.

FIG. 5 is a top plan view; and,

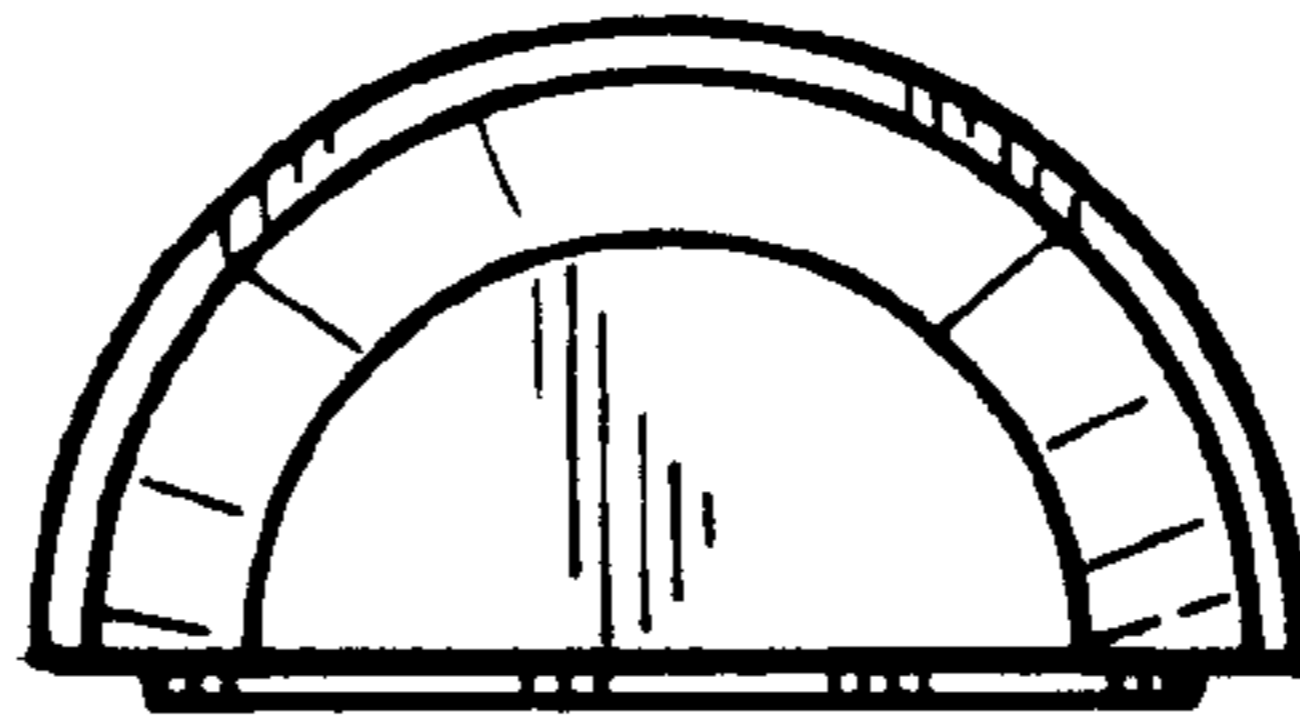
FIG. 6 is a bottom plan view.

**1 Claim, 3 Drawing Sheets**

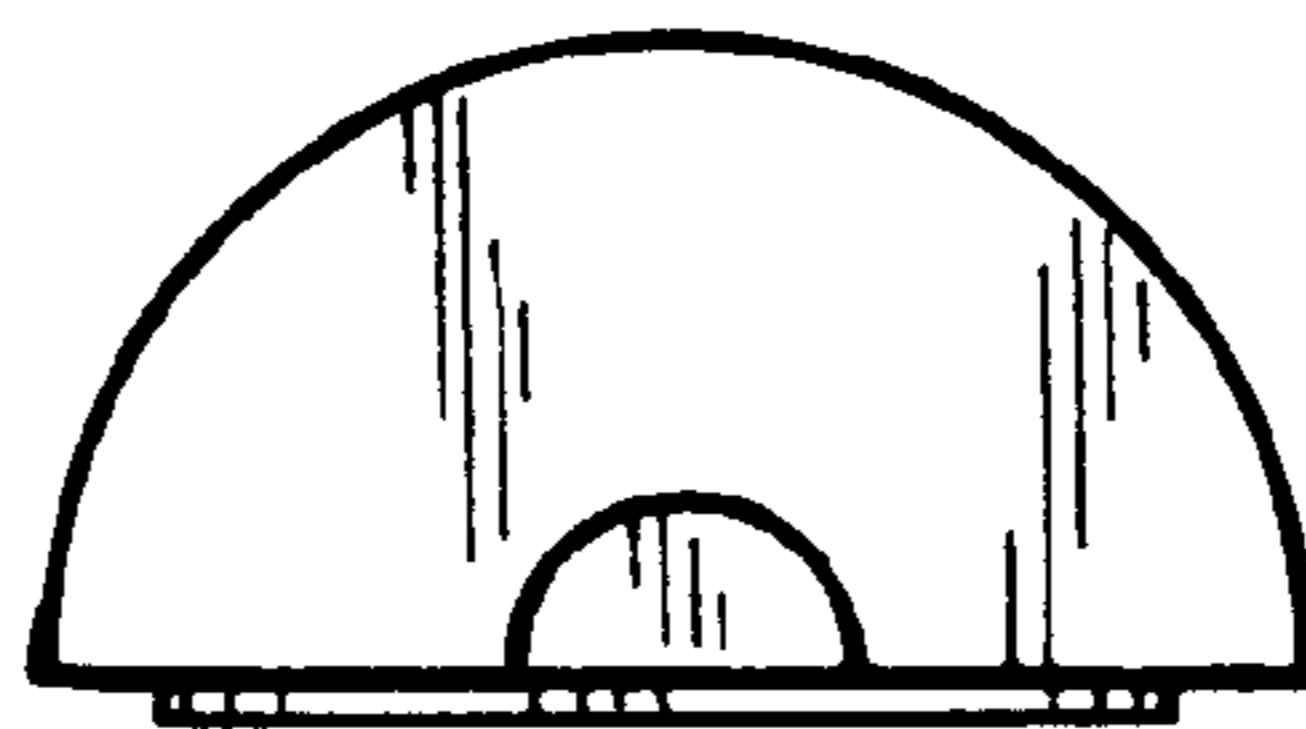




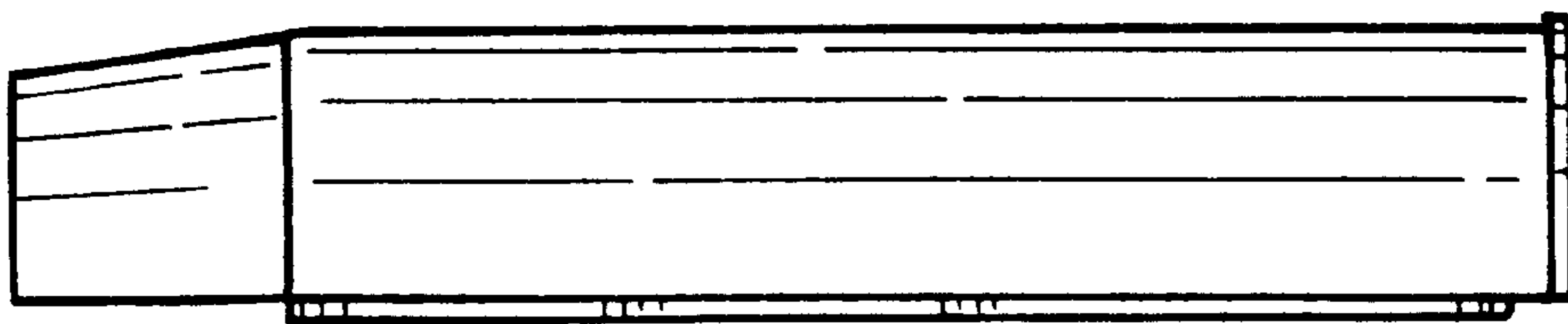
*FIG. 1*



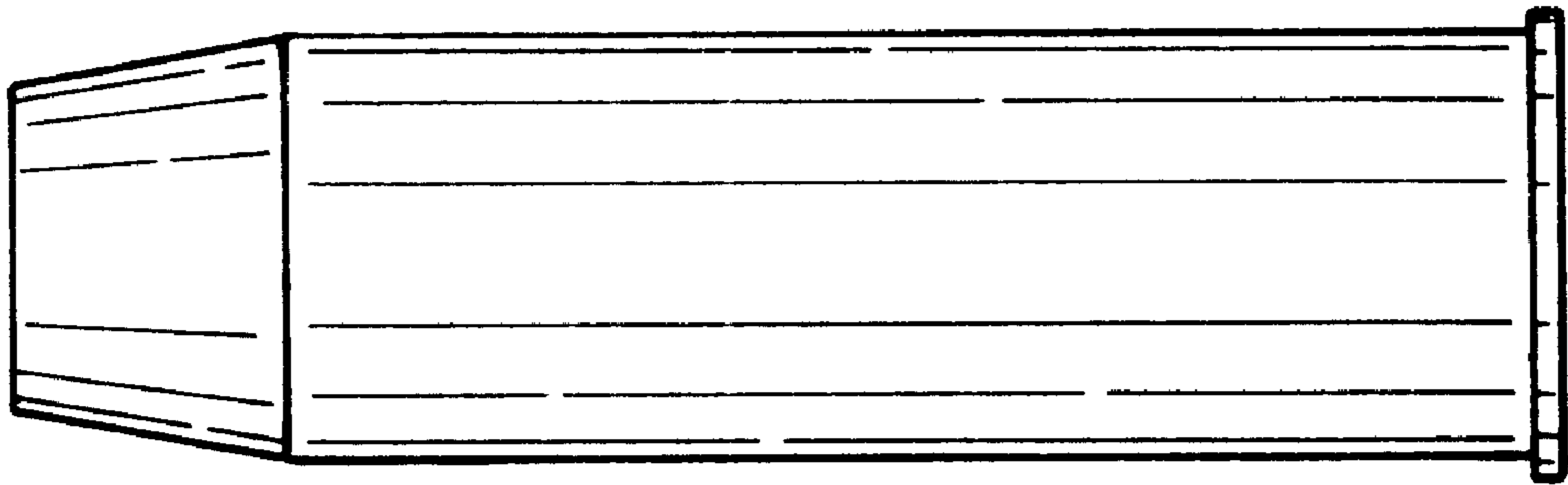
*FIG. 2*



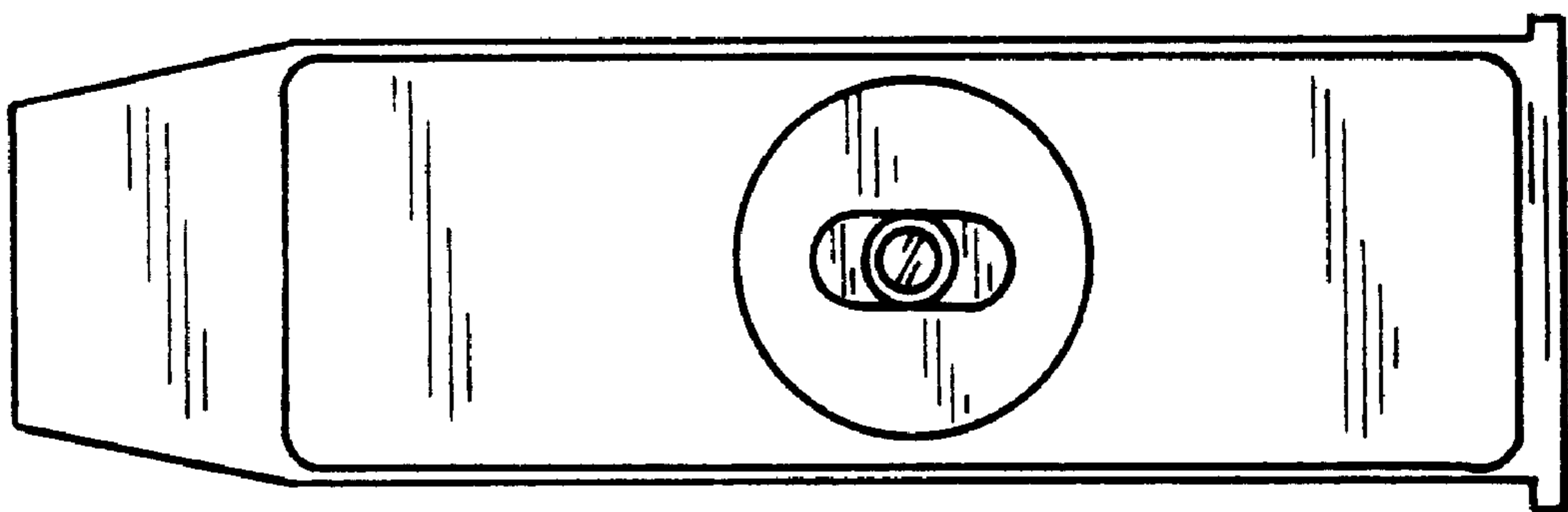
*FIG. 3*



*FIG. 4*



*FIG. 5*



*FIG. 6*