



US00D442587S

(12) **United States Design Patent**
Chang et al.

(10) **Patent No.:** **US D442,587 S**

(45) **Date of Patent:** **** May 22, 2001**

(54) **COMPUTER MONITOR**

D. 411,836 * 2/1999 Cavello D14/380

(75) Inventors: **Yuan-Shie Chang; Yu-Mei Liu;**
Shu-Fen Ke, all of Taipei Hsien (TW)

* cited by examiner

(73) Assignee: **Proview Electronics (Taiwan) Co.,**
Ltd. (TW)

Primary Examiner—Freda Nunn

(74) *Attorney, Agent, or Firm*—Skjerven Morrill
MacPherson LLP; Alan H. MacPherson

(**) Term: **14 Years**

(57) **CLAIM**

(21) Appl. No.: **29/124,683**

The ornamental design for a computer monitor, as shown
and described.

(22) Filed: **Jun. 9, 2000**

(30) **Foreign Application Priority Data**

DESCRIPTION

Feb. 22, 2000 (TW) 089301176

(51) **LOC (7) Cl.** **14-02**

(52) **U.S. Cl.** **D14/380**

(58) **Field of Search** D14/371, 376,
D14/377, 379, 380, 124-129; 345/104,
133, 156, 168, 173, 87, 901-905; 348/180,
184, 325, 739; 248/918-924; 349/1, 2,
11, 62

FIG. 1 is a perspective view of a computer monitor showing
our new design;

FIG. 2 is a front elevational view thereof;

FIG. 3 is a rear elevational view thereof;

FIG. 4 is a left side elevational view thereof;

FIG. 5 is a right side elevational view thereof;

FIG. 6 is a top plan view thereof; and,

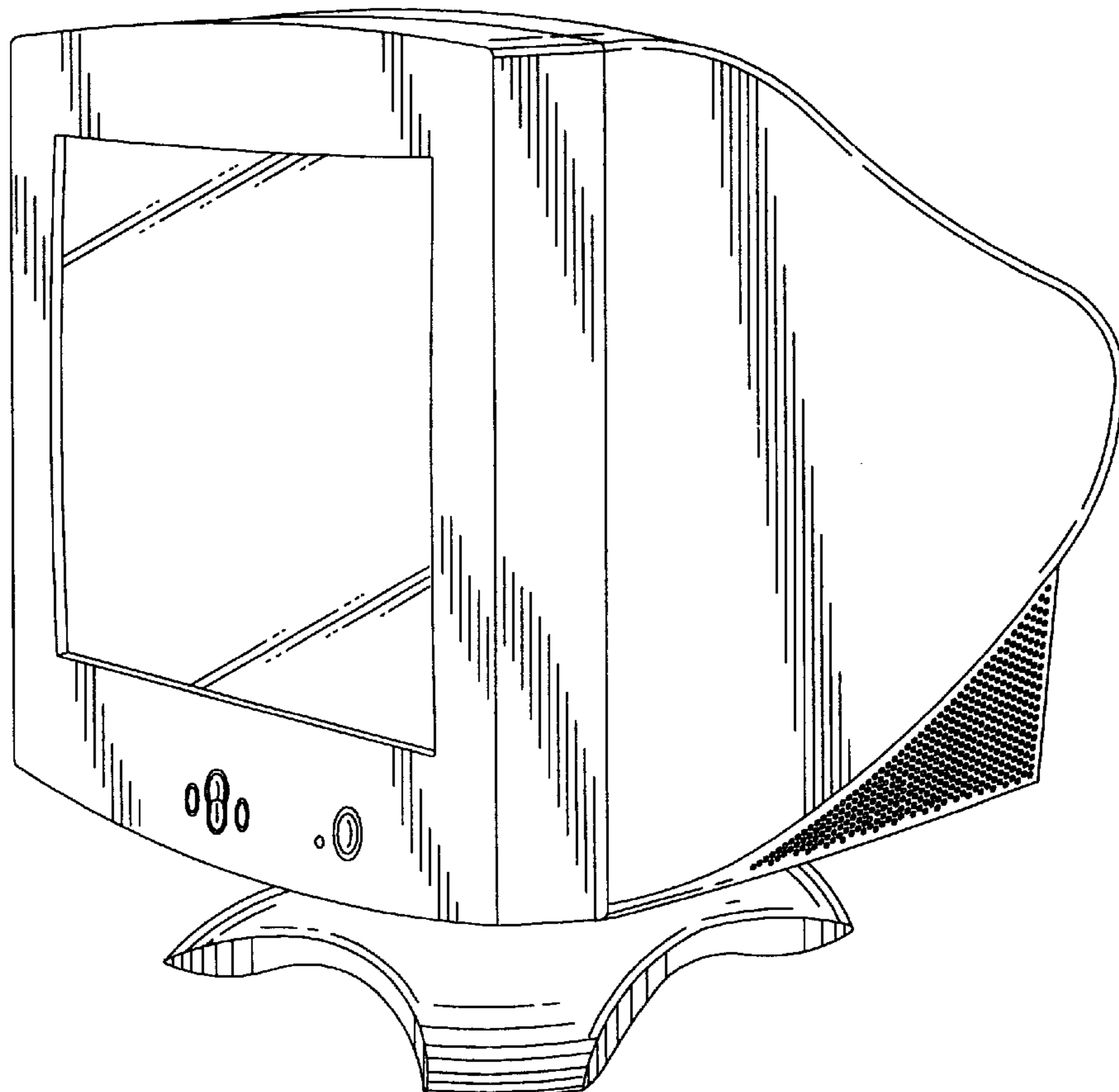
FIG. 7 is a bottom plan view thereof.

(56) **References Cited**

U.S. PATENT DOCUMENTS

D. 405,435 * 2/1999 Brunner et al. D14/380

1 Claim, 7 Drawing Sheets



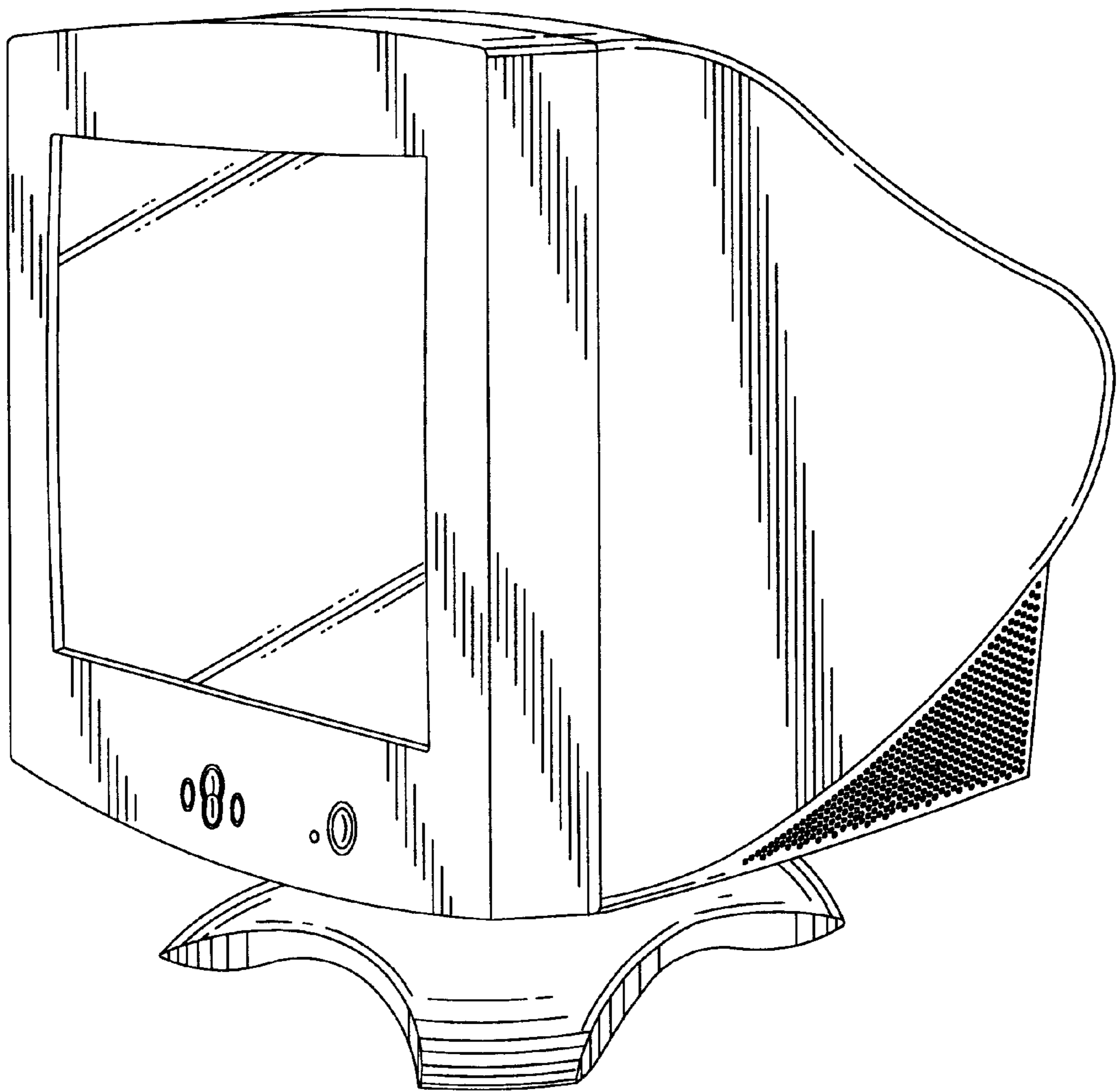


FIG. 1

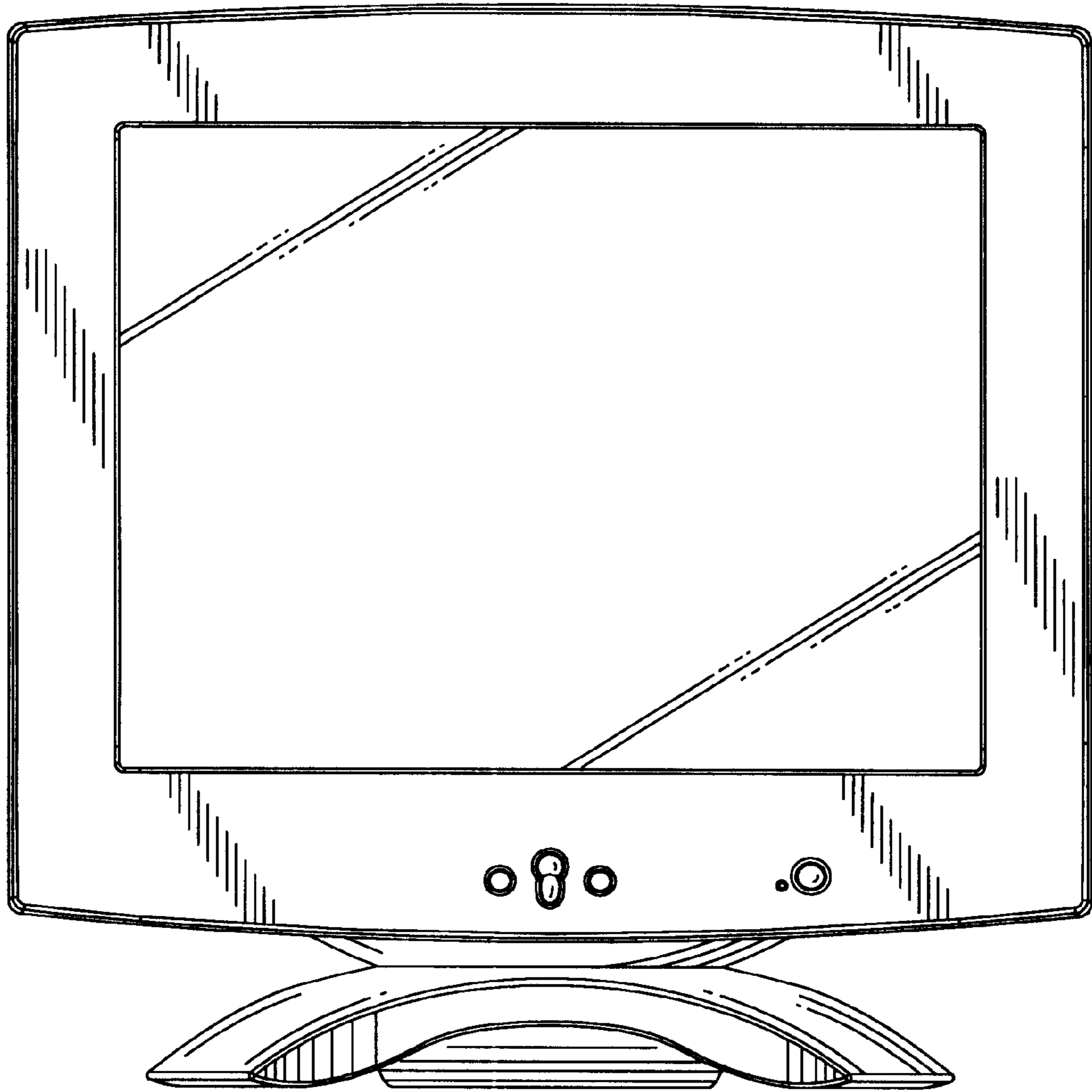


FIG. 2

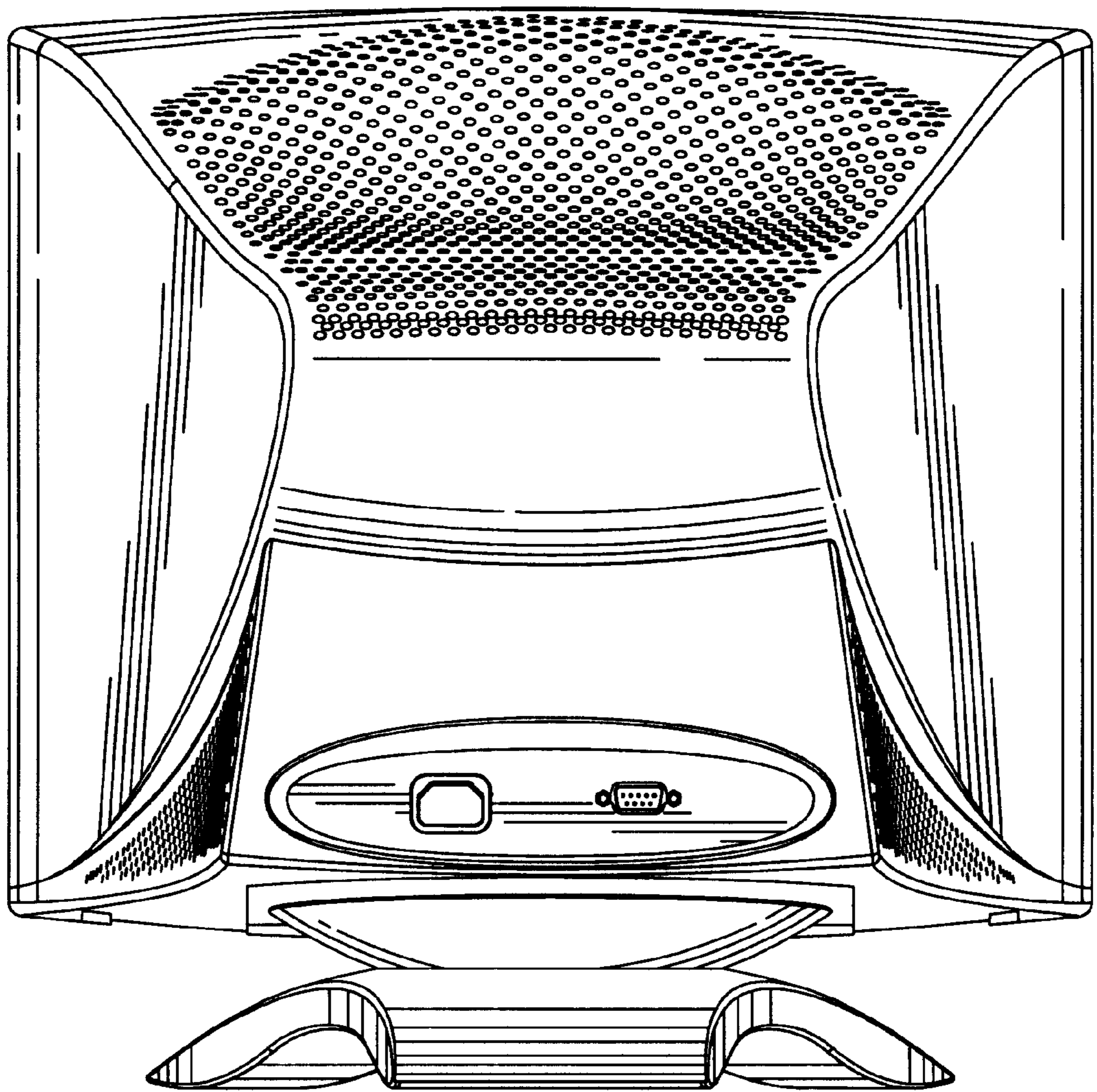


FIG. 3

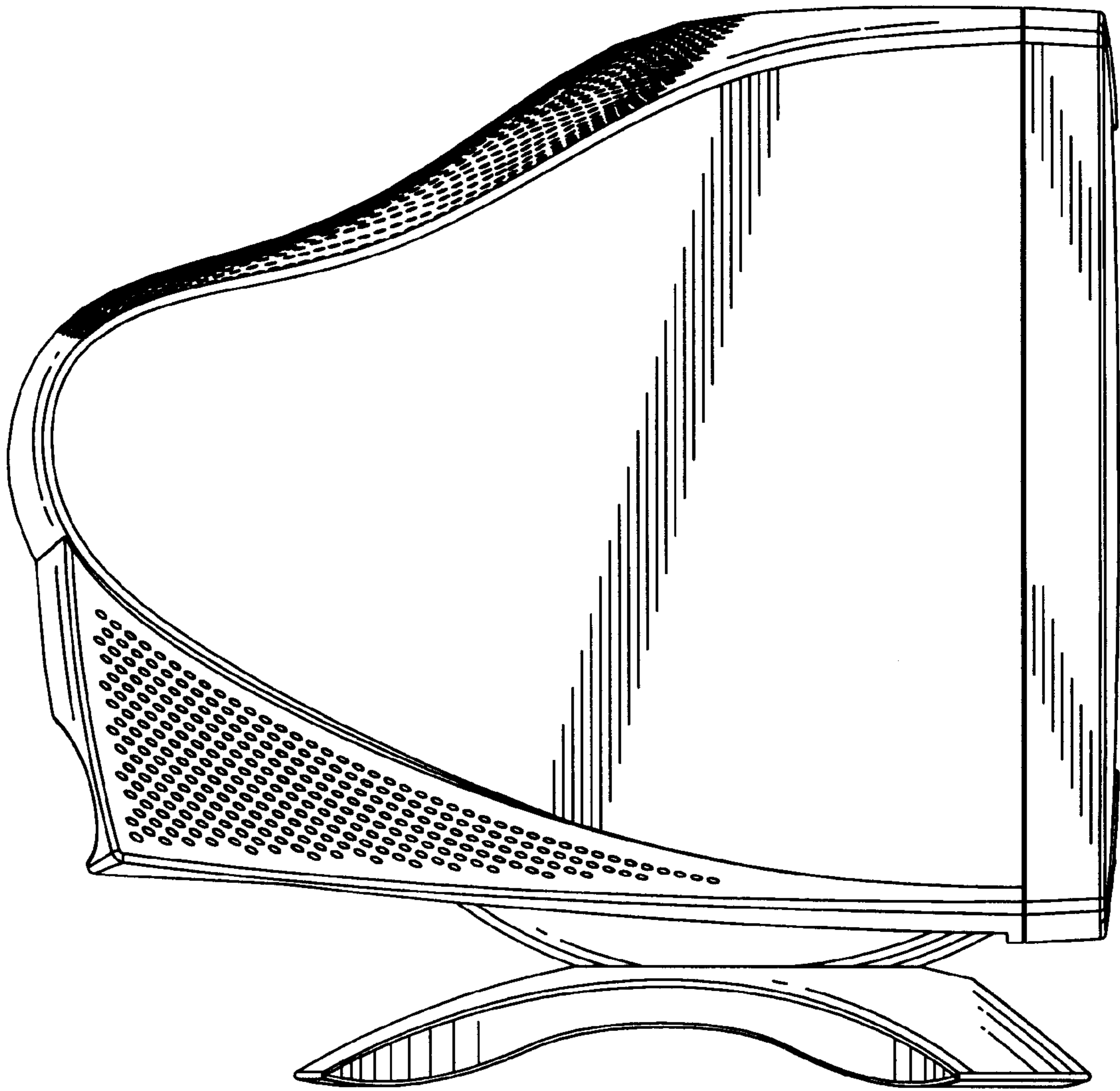


FIG. 4

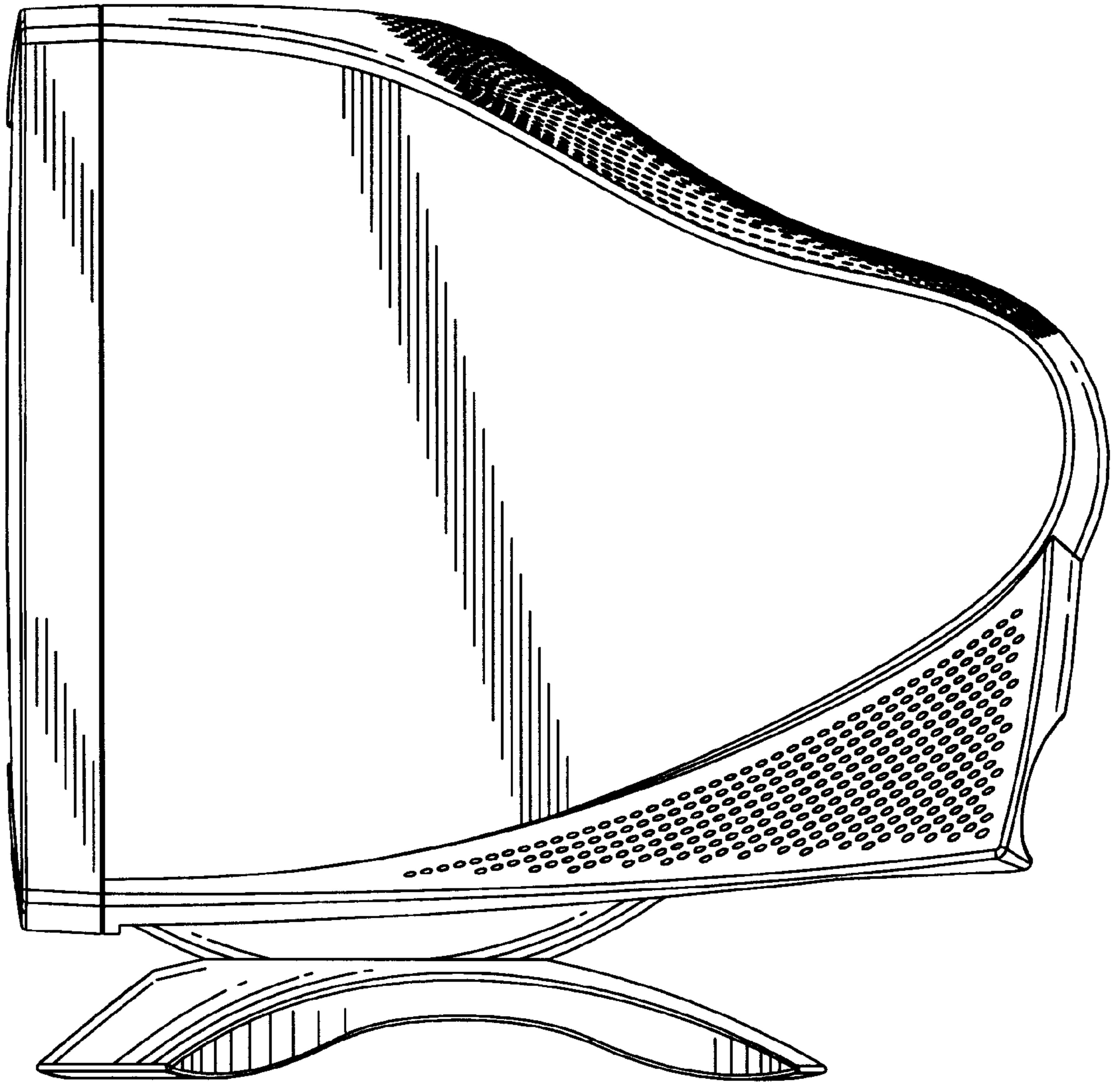


FIG. 5

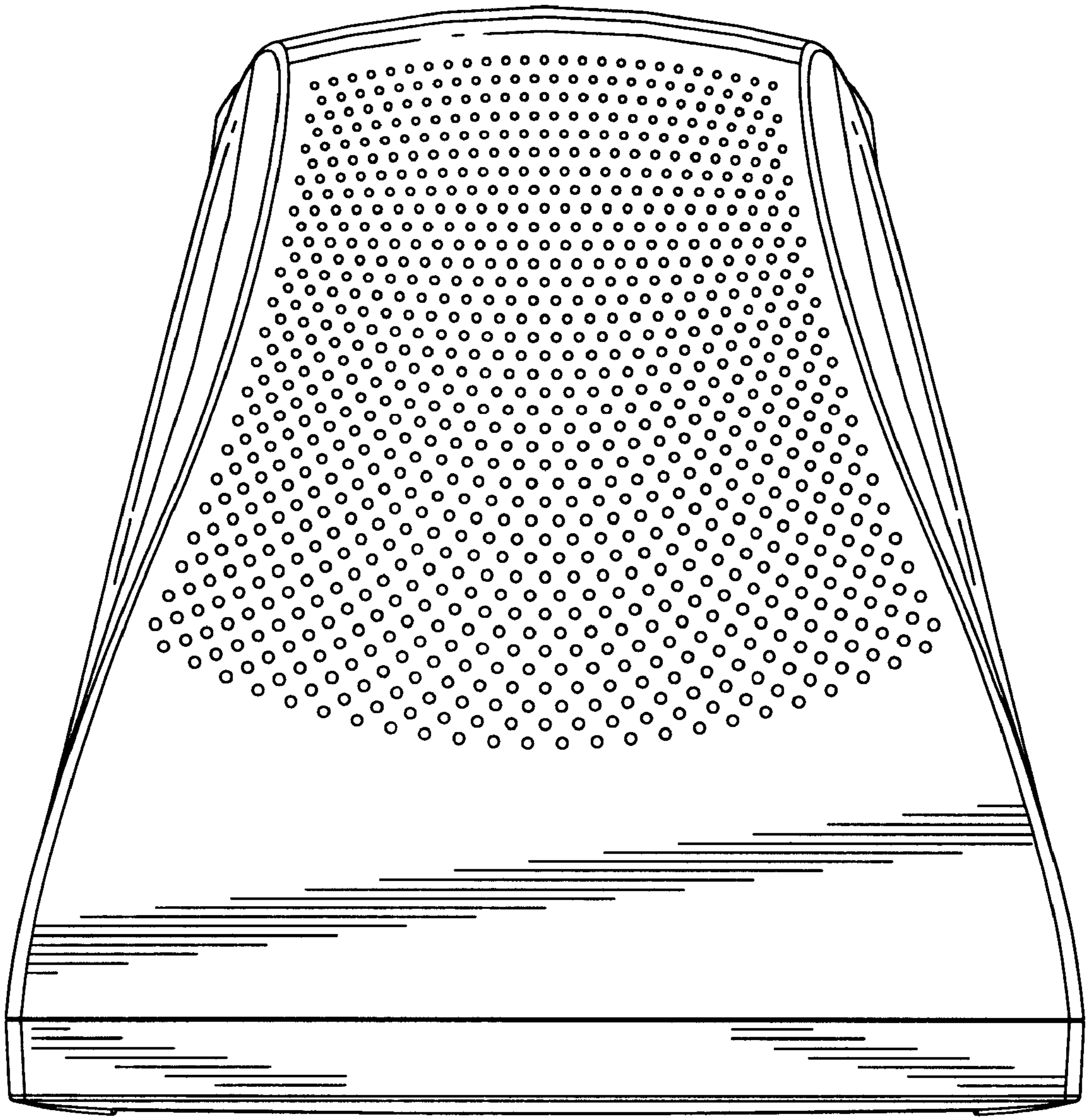


FIG. 6

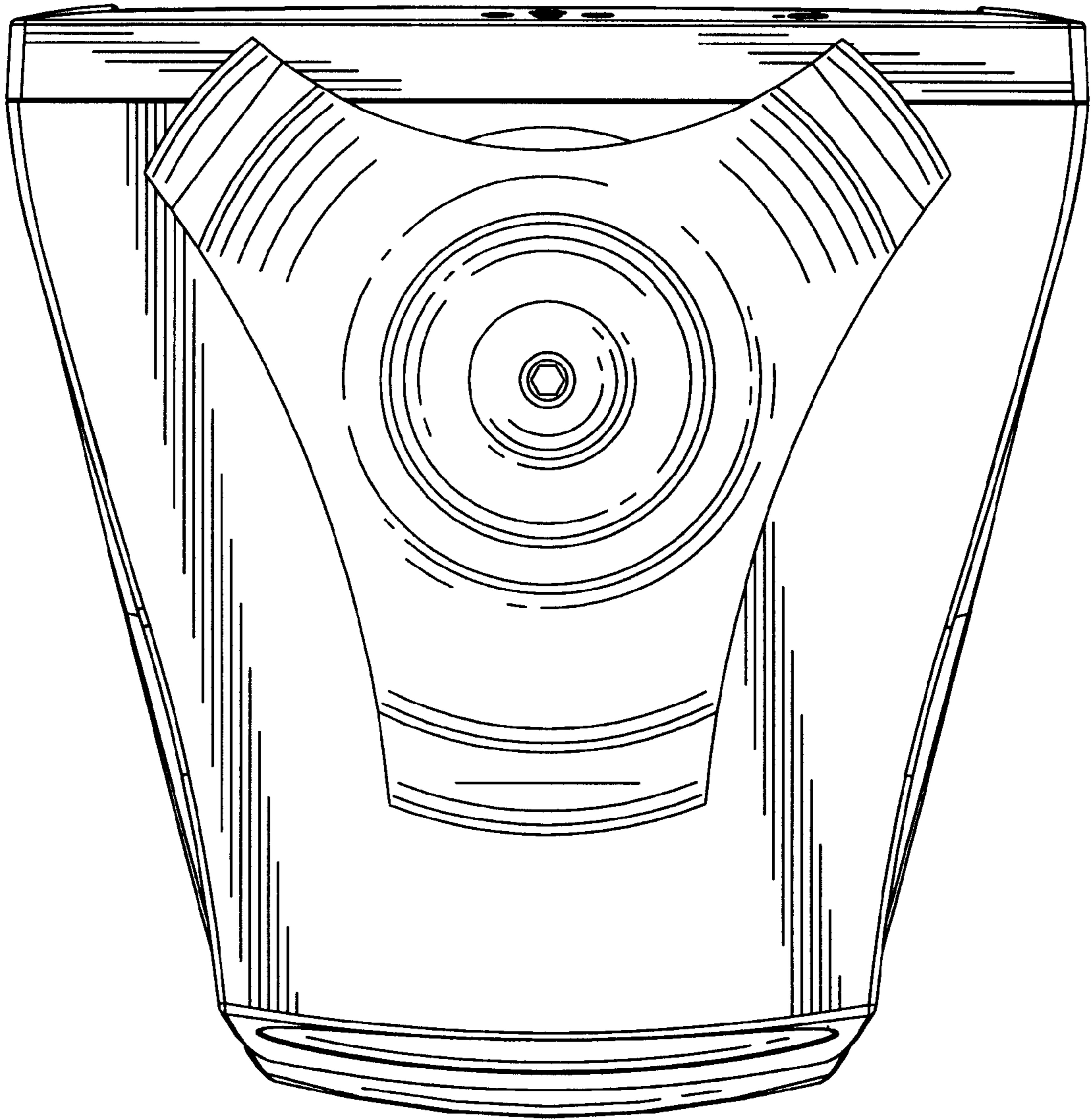


FIG. 7