



US00D442586S

(12) **United States Design Patent**
Kato et al.

(10) **Patent No.:** **US D442,586 S**

(45) **Date of Patent:** **** May 22, 2001**

(54) **DISC DRIVE**

(75) Inventors: **Katsumi Kato**, Yokohama; **Hiroki Goto**, Tokyo, both of (JP)

(73) Assignee: **Sega Enterprises, Ltd.**, Tokyo (JP)

(**) Term: **14 Years**

(21) Appl. No.: **29/118,257**

(22) Filed: **Feb. 3, 2000**

(30) **Foreign Application Priority Data**

Aug. 6, 1999 (JP) 11-21205

(51) **LOC (7) Cl.** **14-02**

(52) **U.S. Cl.** **D14/363; D14/434**

(58) **Field of Search** D14/348, 355,
D14/356, 363, 368, 434; D13/162, 184,
199; 312/223.2; 369/34, 36; 361/680-686

(56) **References Cited**

U.S. PATENT DOCUMENTS

D. 371,545 * 7/1996 Ojeda D14/434

D. 389,819 * 1/1998 Yamazaki D14/434

D. 396,454 * 7/1998 Shima et al. D14/434

5,561,589 * 10/1996 Mesfin et al. 361/686

* cited by examiner

Primary Examiner—Freda Nunn

(74) *Attorney, Agent, or Firm*—Ladas & Parry

(57) **CLAIM**

The ornamental design for a disc drive, as shown and described.

DESCRIPTION

FIG. 1 is a perspective view of a disc drive showing our new design;

FIG. 2 is a front view thereof;

FIG. 3 is a rear view thereof;

FIG. 4 is a top view thereof;

FIG. 5 is a bottom view thereof;

FIG. 6 is a left side view thereof; and,

FIG. 7 is a right side view thereof.

1 Claim, 4 Drawing Sheets

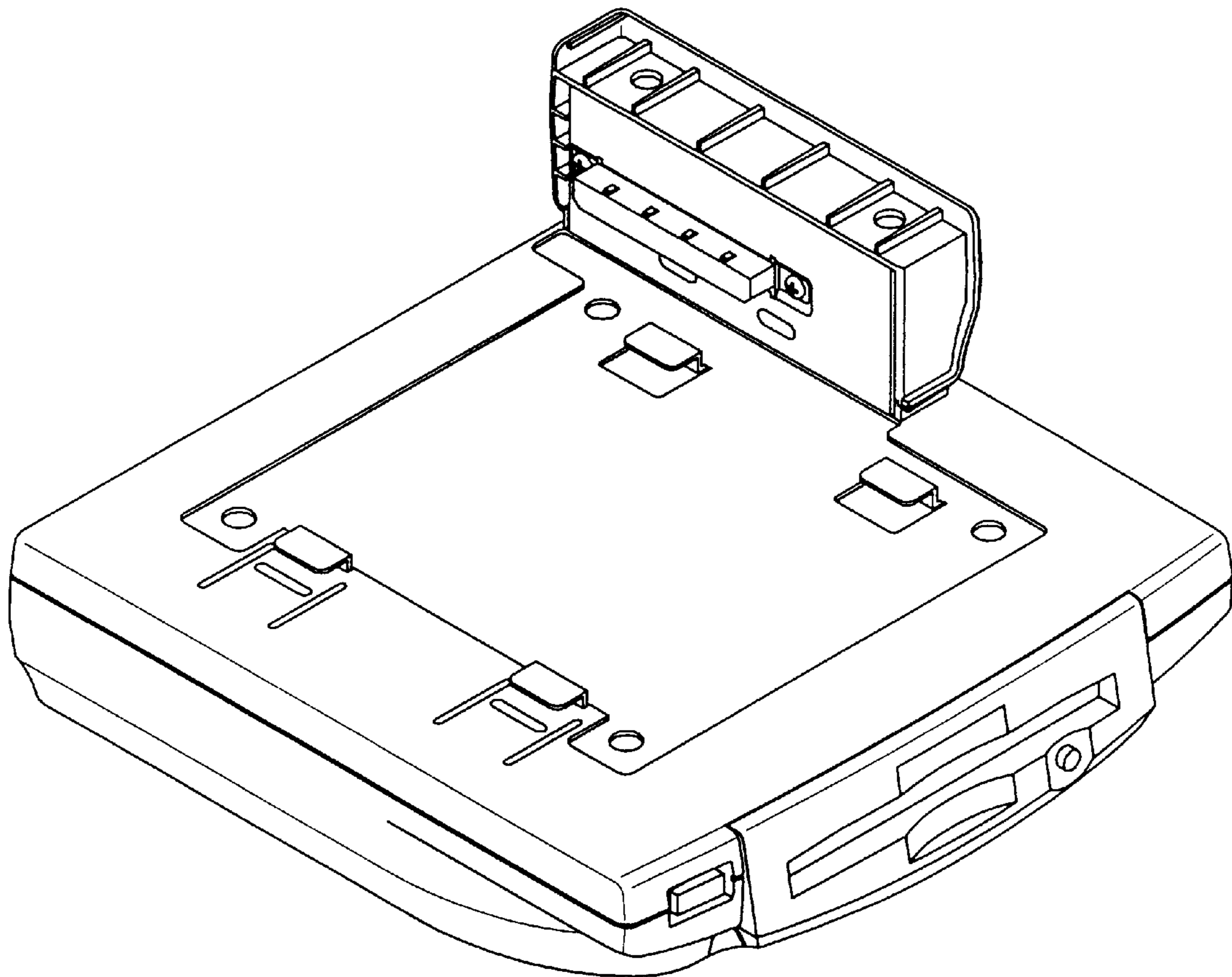


FIG. 1

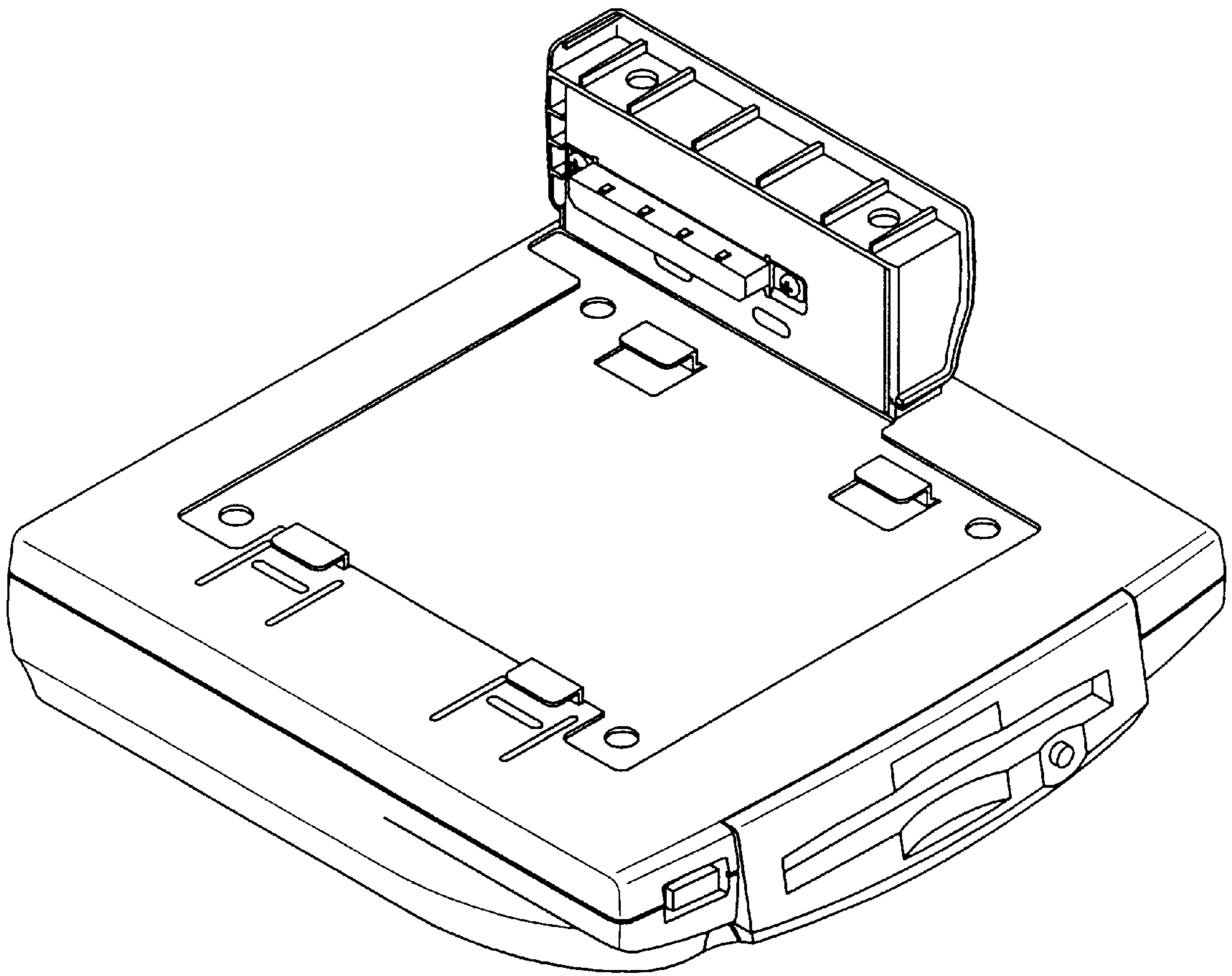


FIG. 2

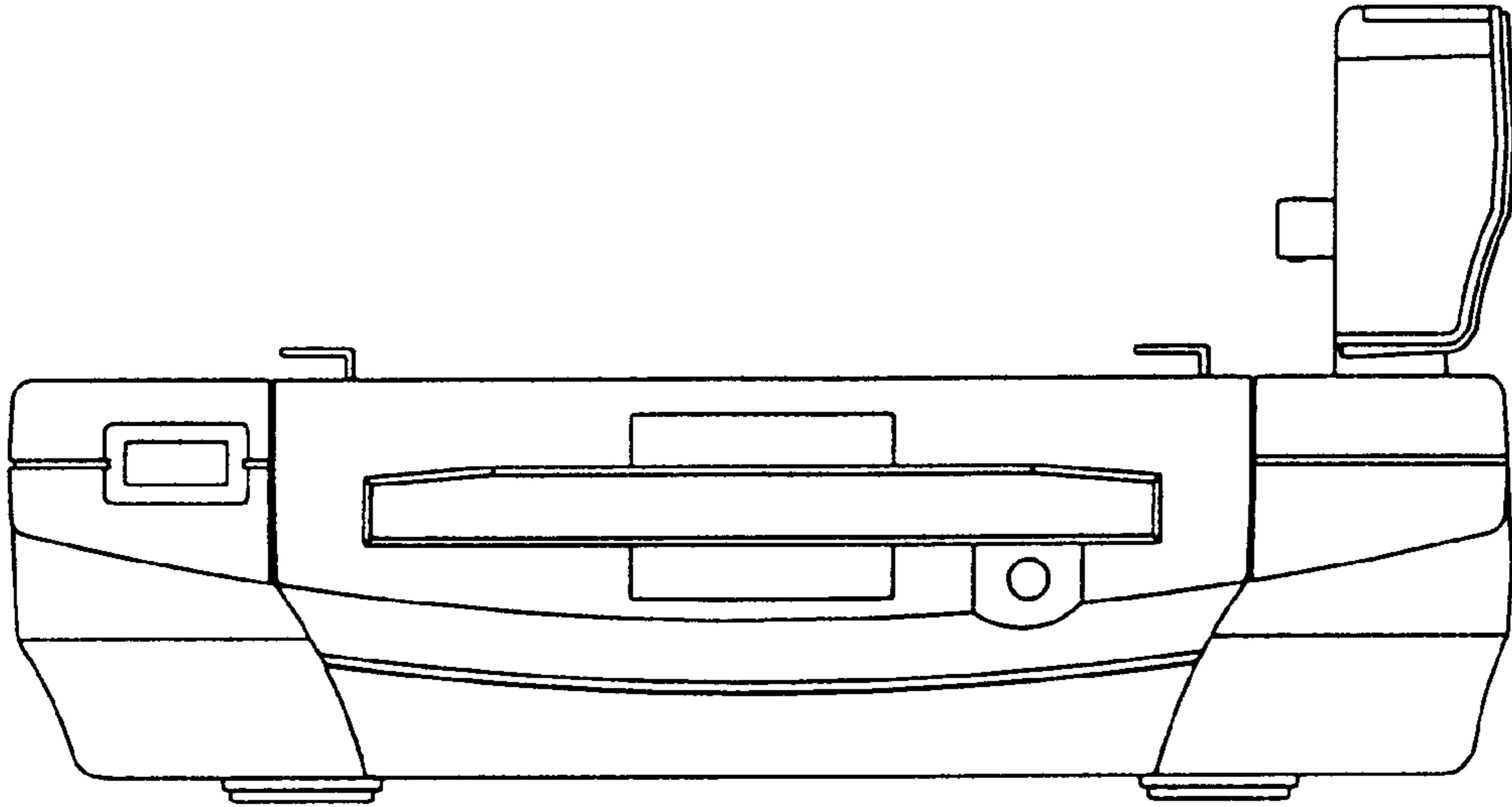


FIG. 3

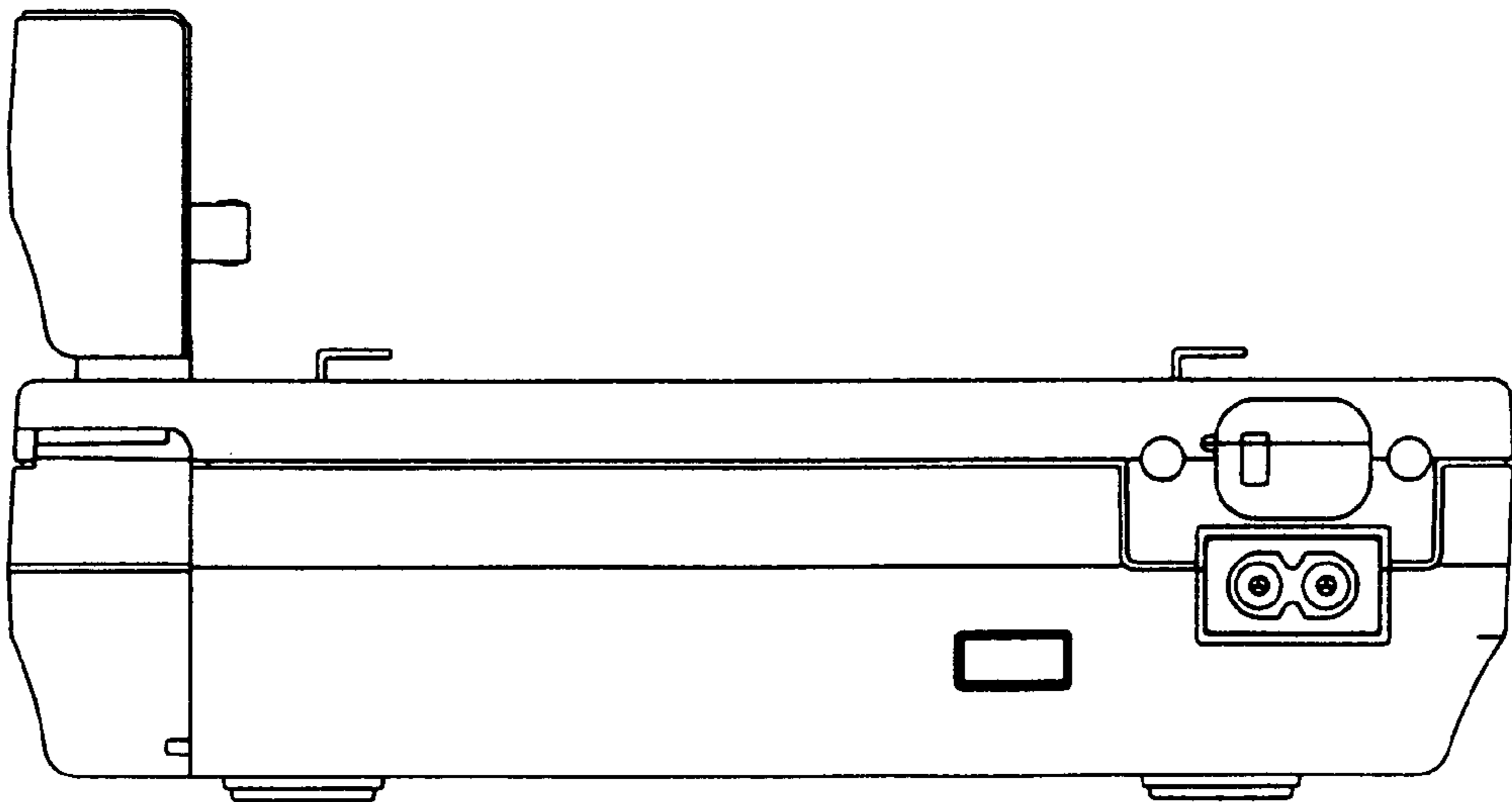


FIG. 4

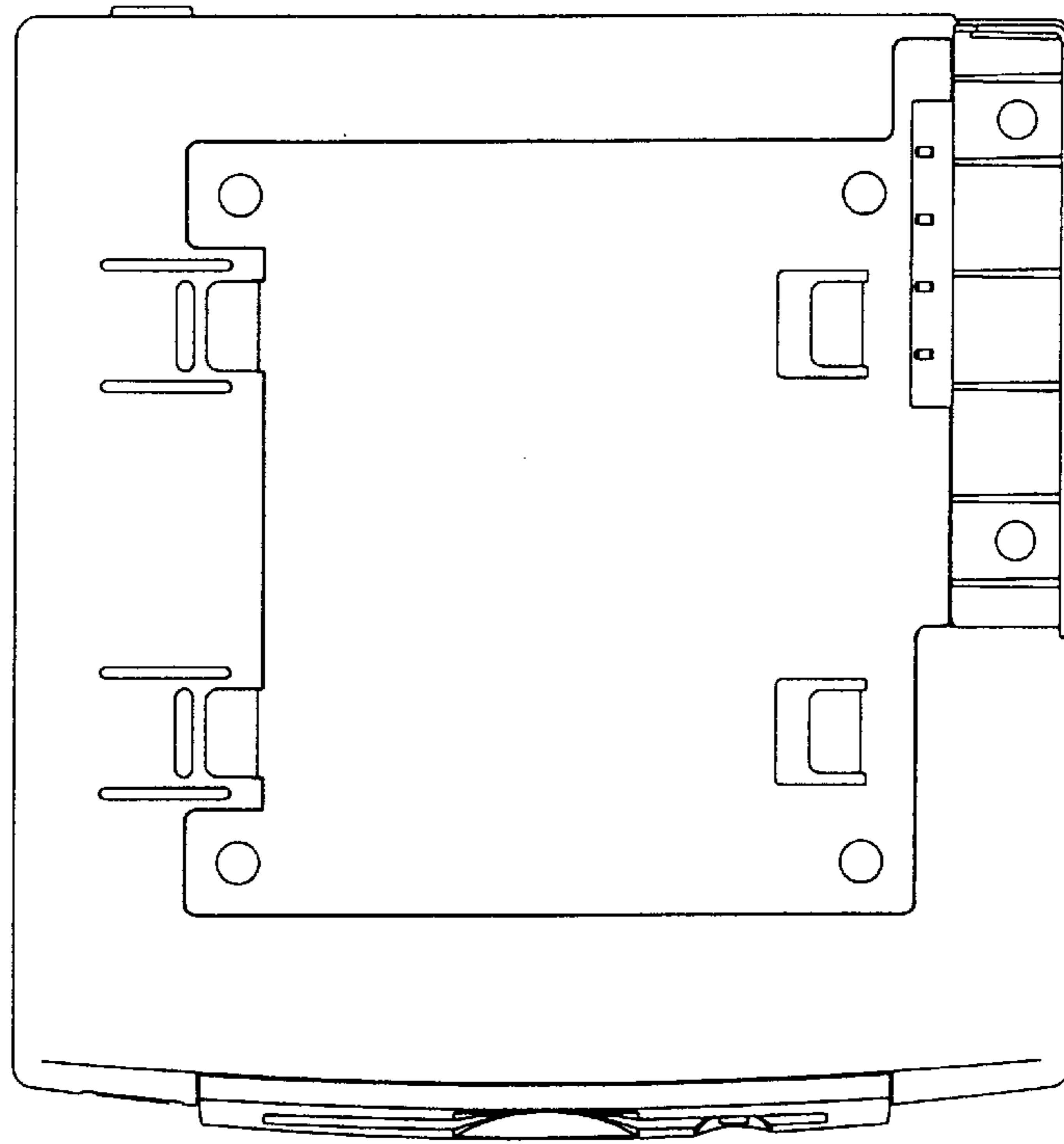


FIG. 5

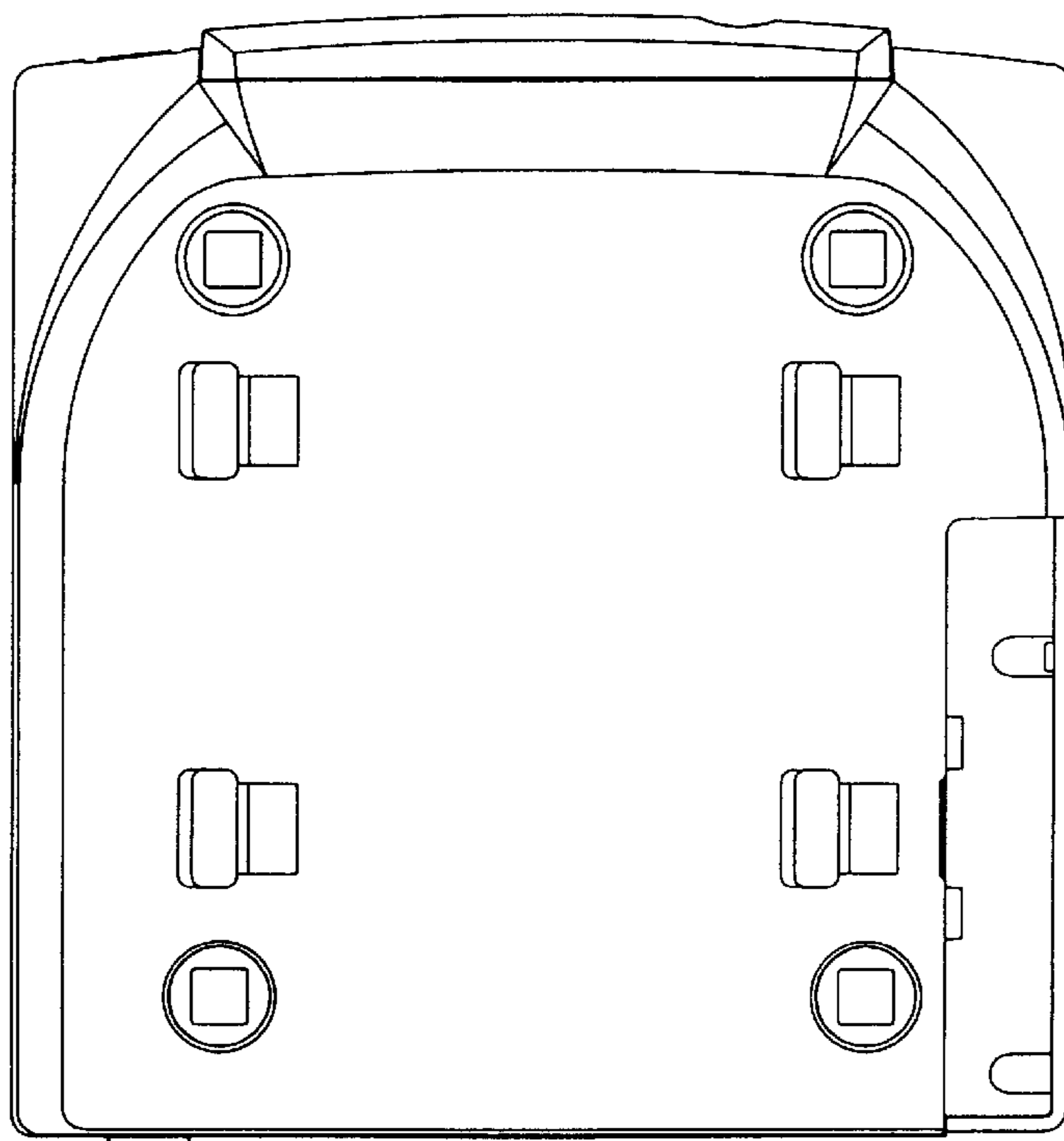


FIG. 6

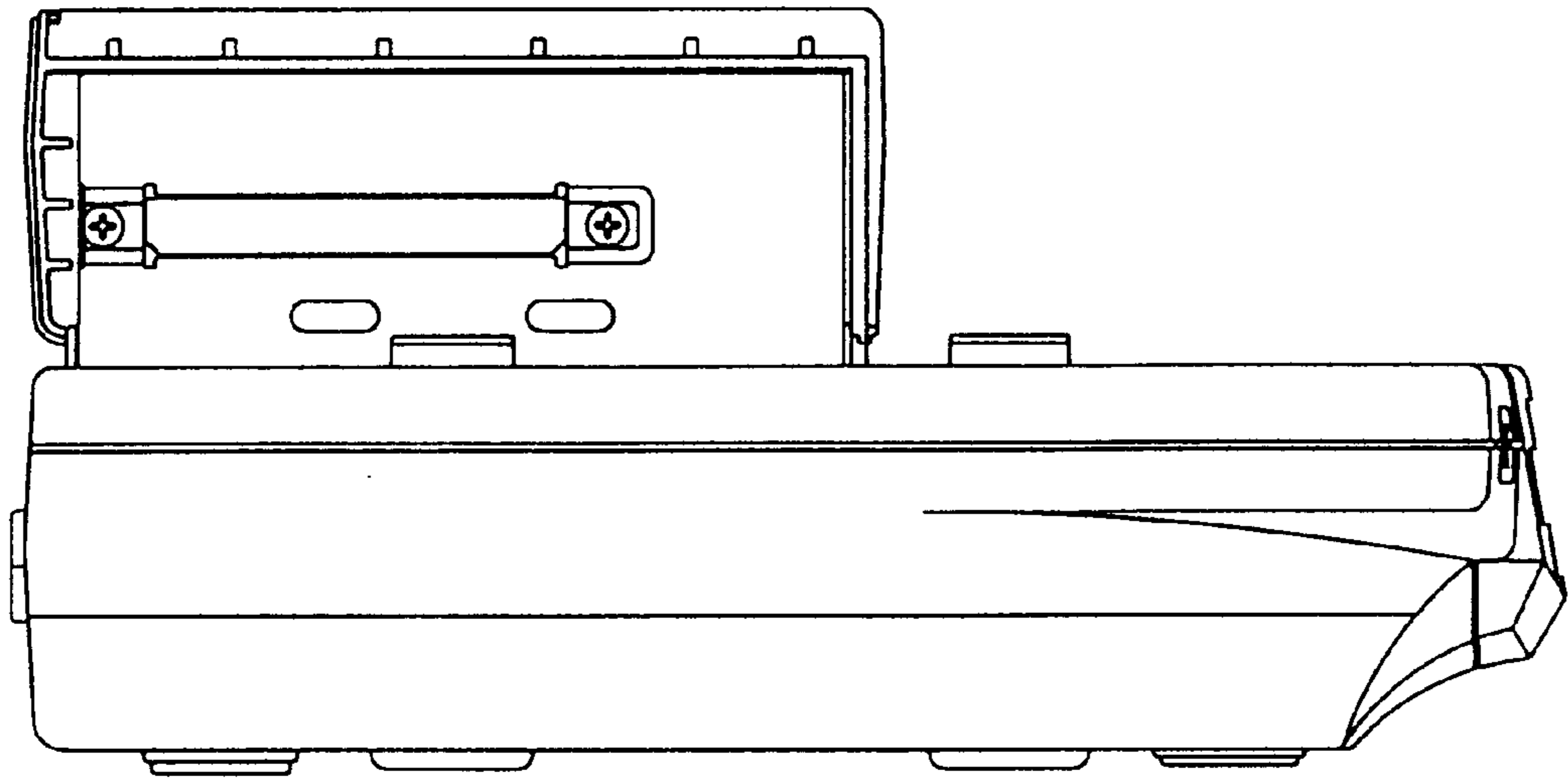


FIG. 7

