



US00D442585S

(12) **United States Design Patent**
Toussi et al.

(10) **Patent No.:** **US D442,585 S**

(45) **Date of Patent:** **** May 22, 2001**

(54) **DISK SUBSYSTEM FOR A STORAGE AREA NETWORK**

Primary Examiner—Freda Nunn
(74) *Attorney, Agent, or Firm*—Gregory L. Roth

(75) Inventors: **Afshin Toussi**, Laguna Niguel; **Joie Lee Puckett, Jr.**, Long Beach; **Richard A. Corrington**, Tustin; **Robert Lee Faulkner, Sr.**, Laguna Hills; **Alan B. Gordon**, Costa Mesa; **Alex Dale Grossman**, Lomita, all of CA (US)

(57) **CLAIM**

The ornamental design for a disk subsystem for a storage area network, as shown and described.

(73) Assignee: **Micro Net Technology, Inc.**, Irvine, CA (US)

DESCRIPTION

(**) Term: **14 Years**

FIG. 1 is a front perspective view of a disk subsystem for a storage area network in accordance with the invention; FIG. 2 is a front elevation view of the disk subsystem shown in FIG. 1; FIG. 3 is a top plan view of the disk subsystem shown in FIG. 1; FIG. 4 is a left side elevation view of the disk subsystem shown in FIG. 1; FIG. 5 is a right side elevation view of the disk subsystem shown in FIG. 1; FIG. 6 is a rear elevation view of the disk subsystem shown in FIG. 1; FIG. 7 is a right front perspective view, partly broken away, of the disk subsystem shown in FIG. 1; FIG. 8 is a left front perspective view, partly broken away, of the disk subsystem shown in FIG. 1; FIG. 9 is a bottom plan view of the disk subsystem shown in FIG. 1; FIG. 10 is a partial cross section taken along line 10—10 in FIG. 4 of the disk subsystem shown in FIG. 1; FIG. 11 is an enlarged representation of a corner vent for the lower right side front corner of the disk subsystem shown in FIG. 1, the lower left side rear corner is substantially the same as the vent shown in FIG. 11, and the lower left side front and lower right side rear vents are substantially a mirror image of the vent that is shown in FIG. 11; and, FIG. 12 is a right side elevation view taken along line 12—12 in FIG. 11 of the disk subsystem shown in FIG. 1.

(21) Appl. No.: **29/124,976**

(22) Filed: **Jun. 15, 2000**

(51) **LOC (7) Cl.** **14-02**

(52) **U.S. Cl.** **D14/356**

(58) **Field of Search** D14/300, 301, D14/351, 352, 356; D13/162, 184, 199; 312/223.1, 223.2; 360/99.12; 361/690–696

(56) **References Cited**

U.S. PATENT DOCUMENTS

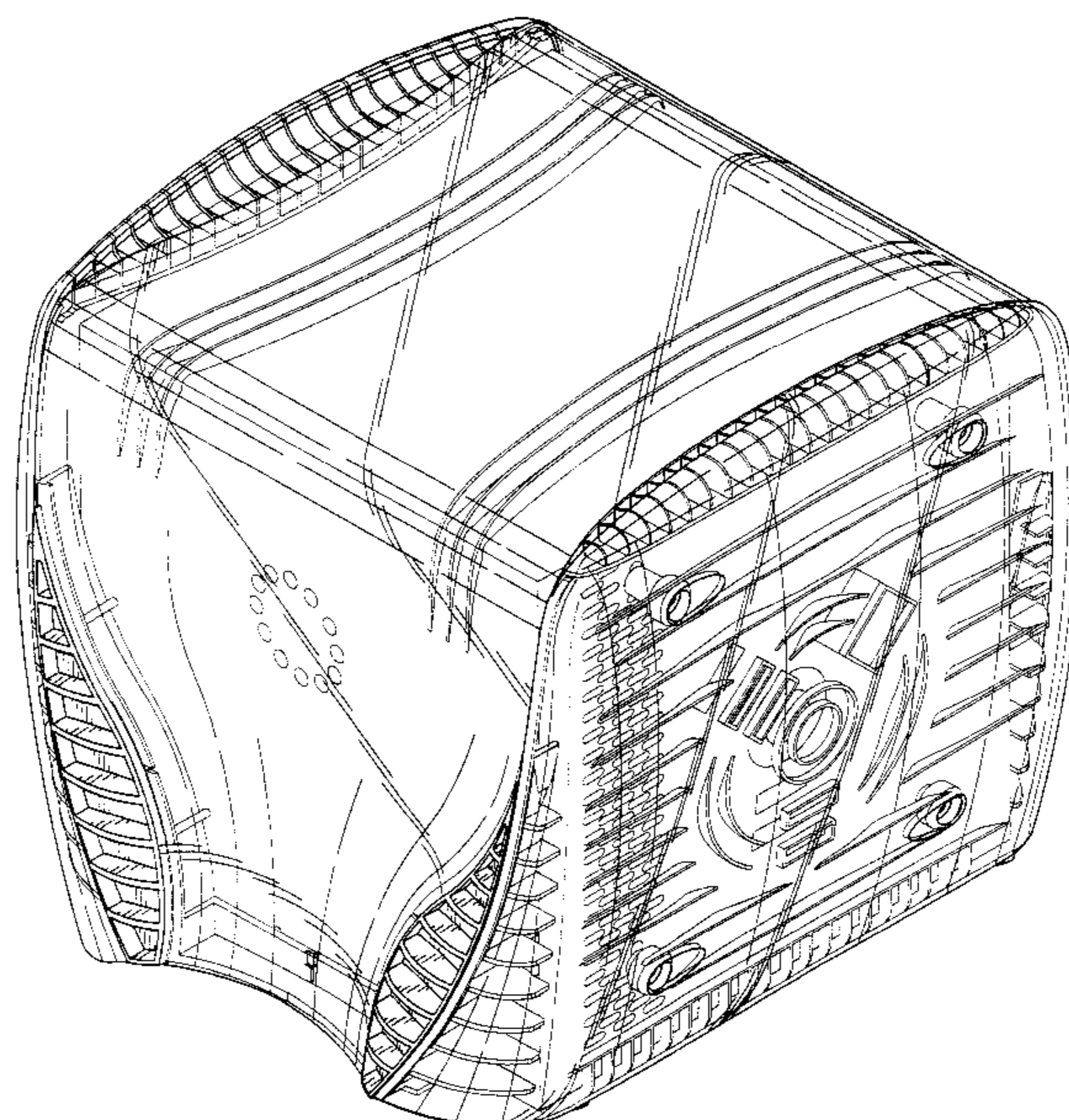
- D. 395,286 * 6/1998 Alexander et al. D14/351
- D. 396,698 * 6/1998 Cook et al. D14/351

OTHER PUBLICATIONS

- Apple Computer internet web page entitled “Apple Store”, p. 1 (Jun. 3, 2000).
- Apple Computer internet web page entitled “Presenting the all-new iMac”,m pp. 1–2 (Jun. 3, 2000).
- Apple Computer internet web page bearing the caption “Step 1: Multiple choice(any answer is correct)”, p. 1 (Jun. 3, 2000).

* cited by examiner

1 Claim, 10 Drawing Sheets



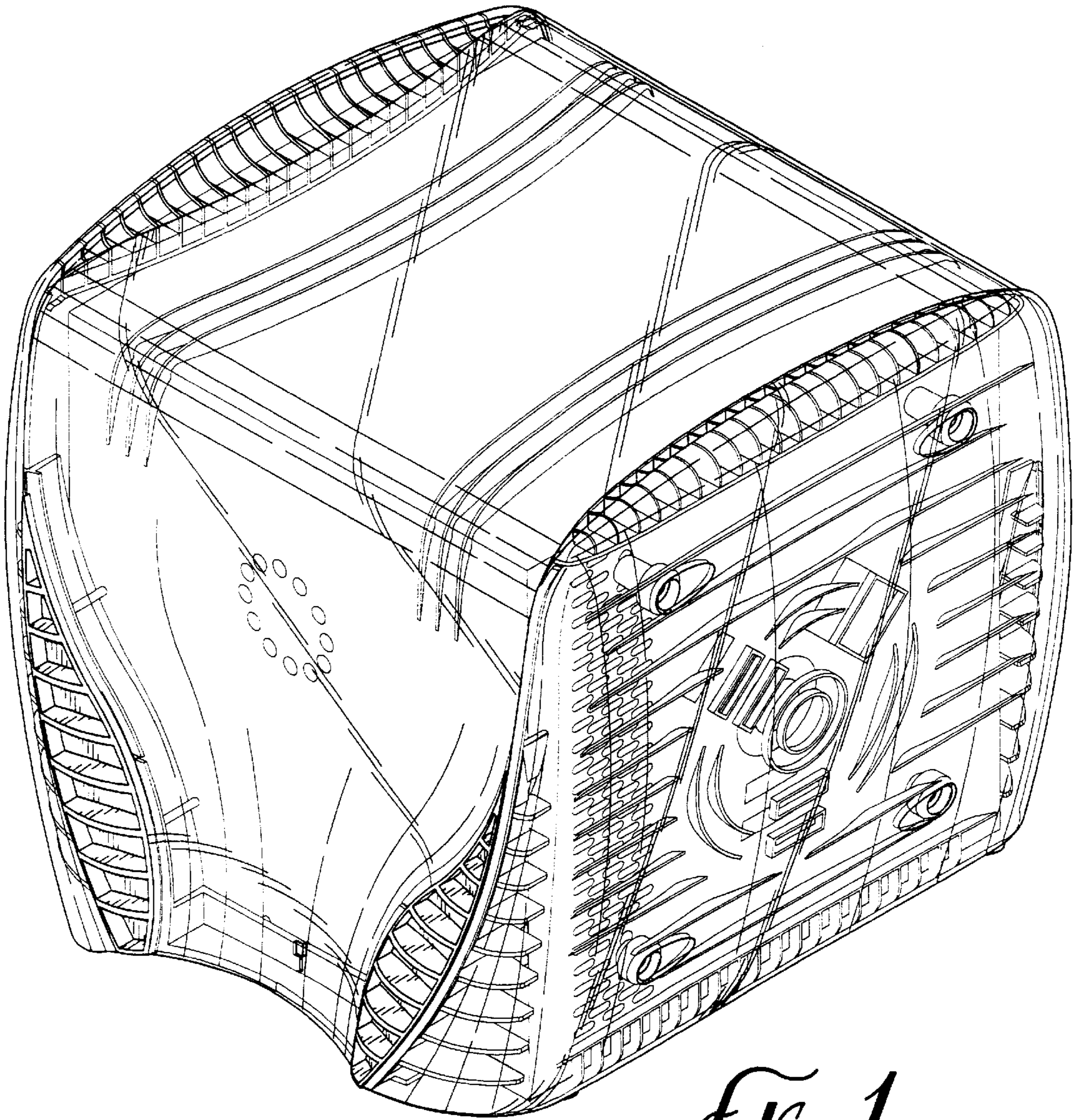


FIG. 1

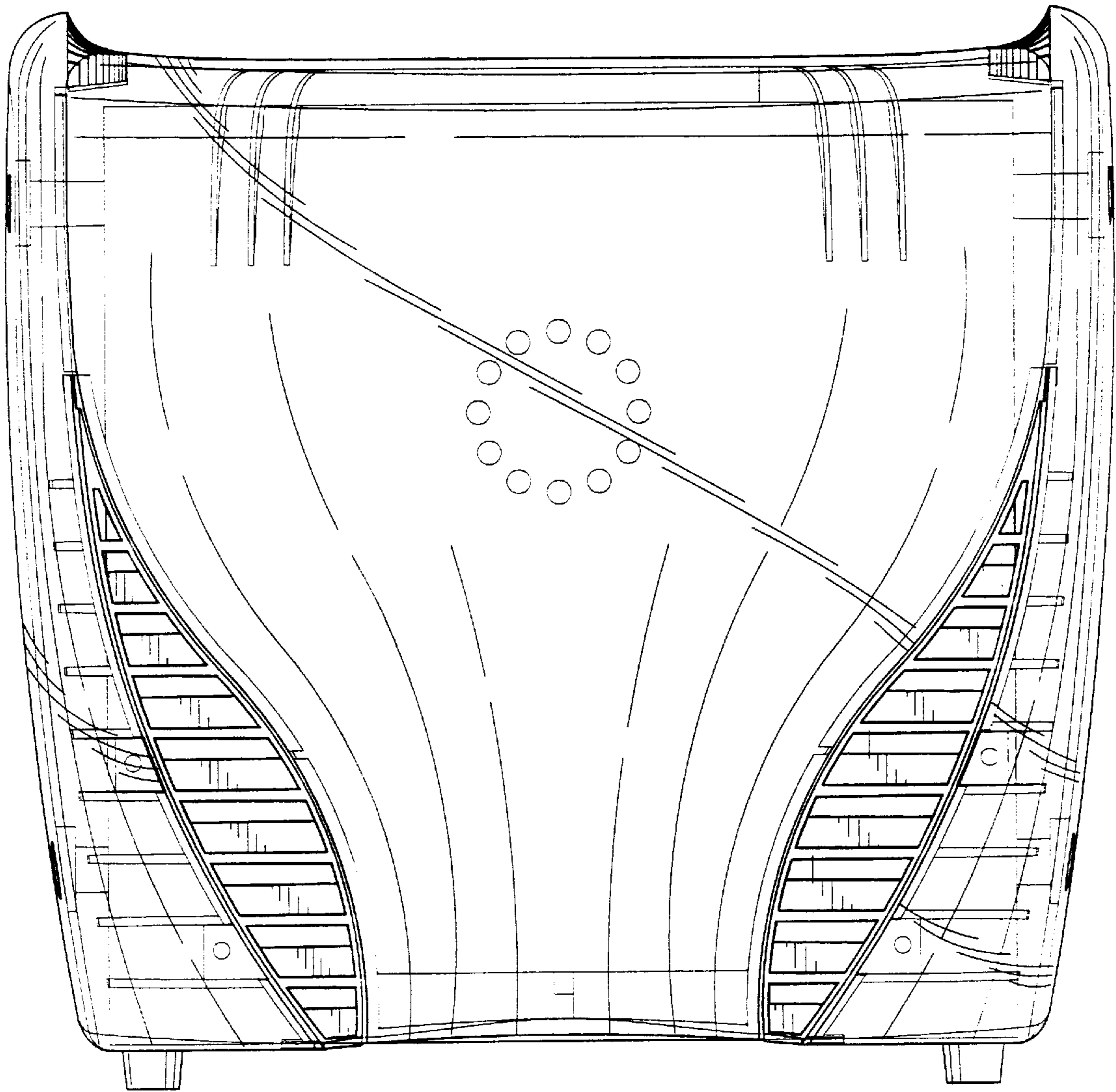


FIG. 2

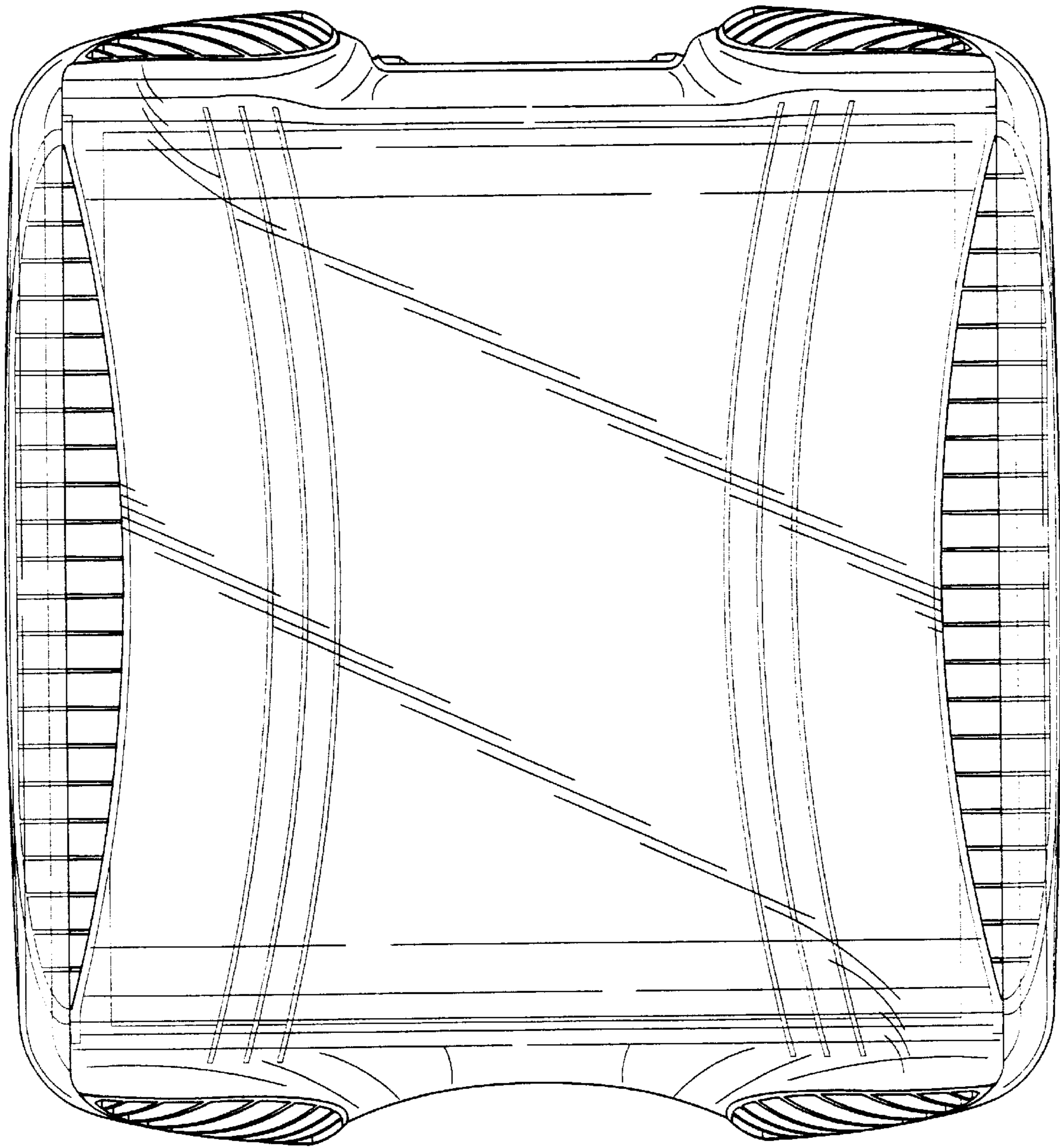
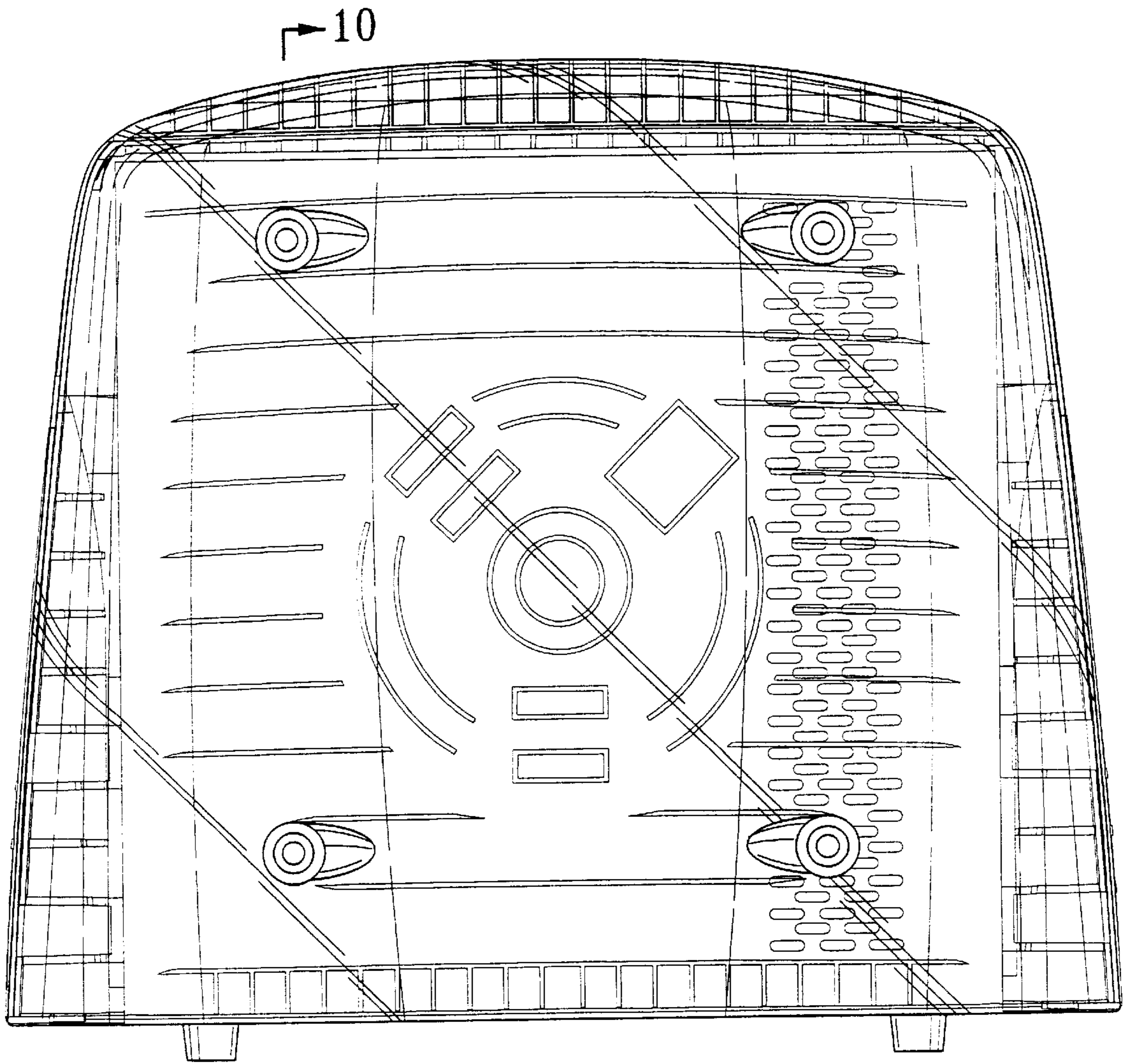


FIG. 3



10

FIG. 4

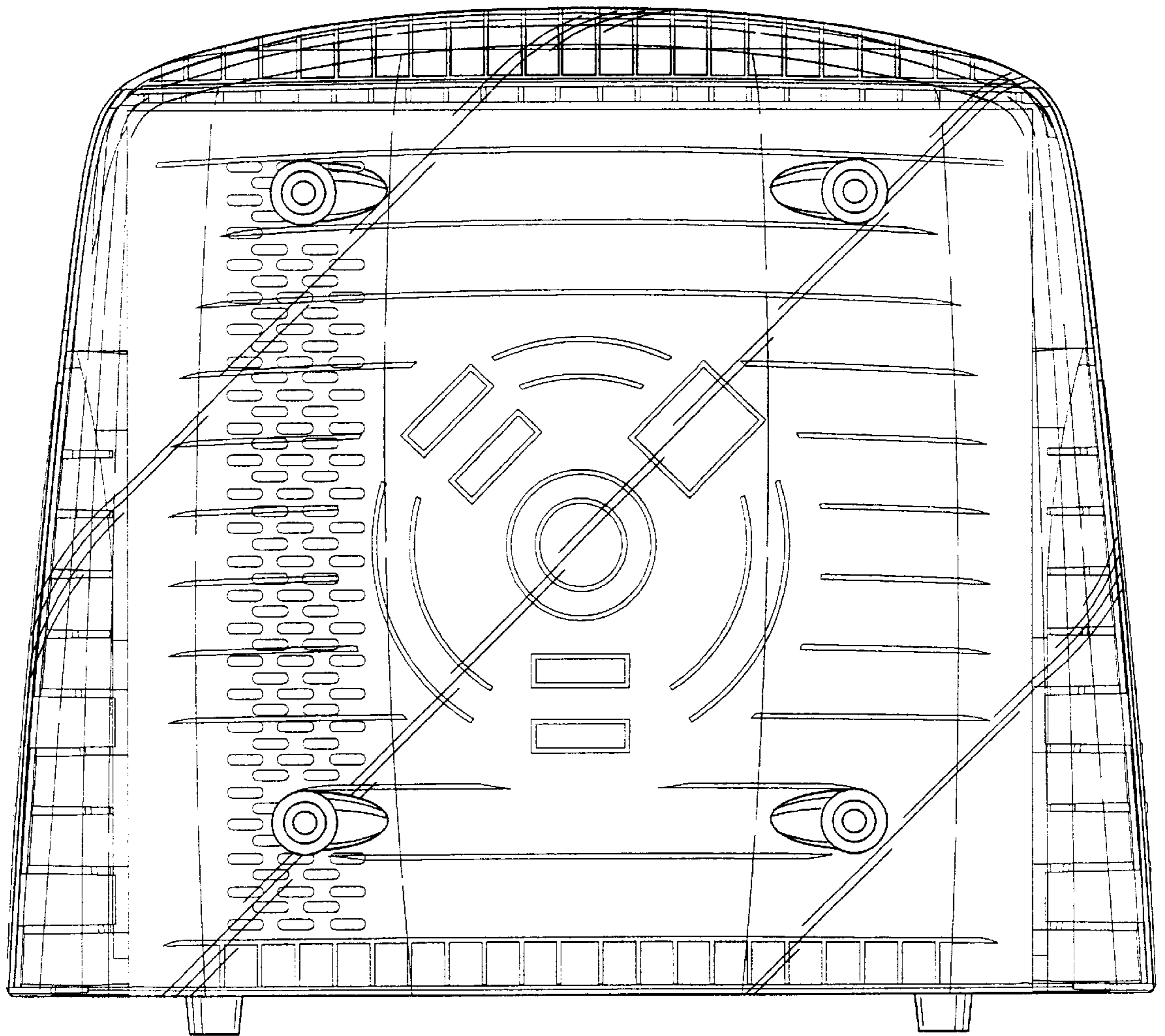


FIG. 5

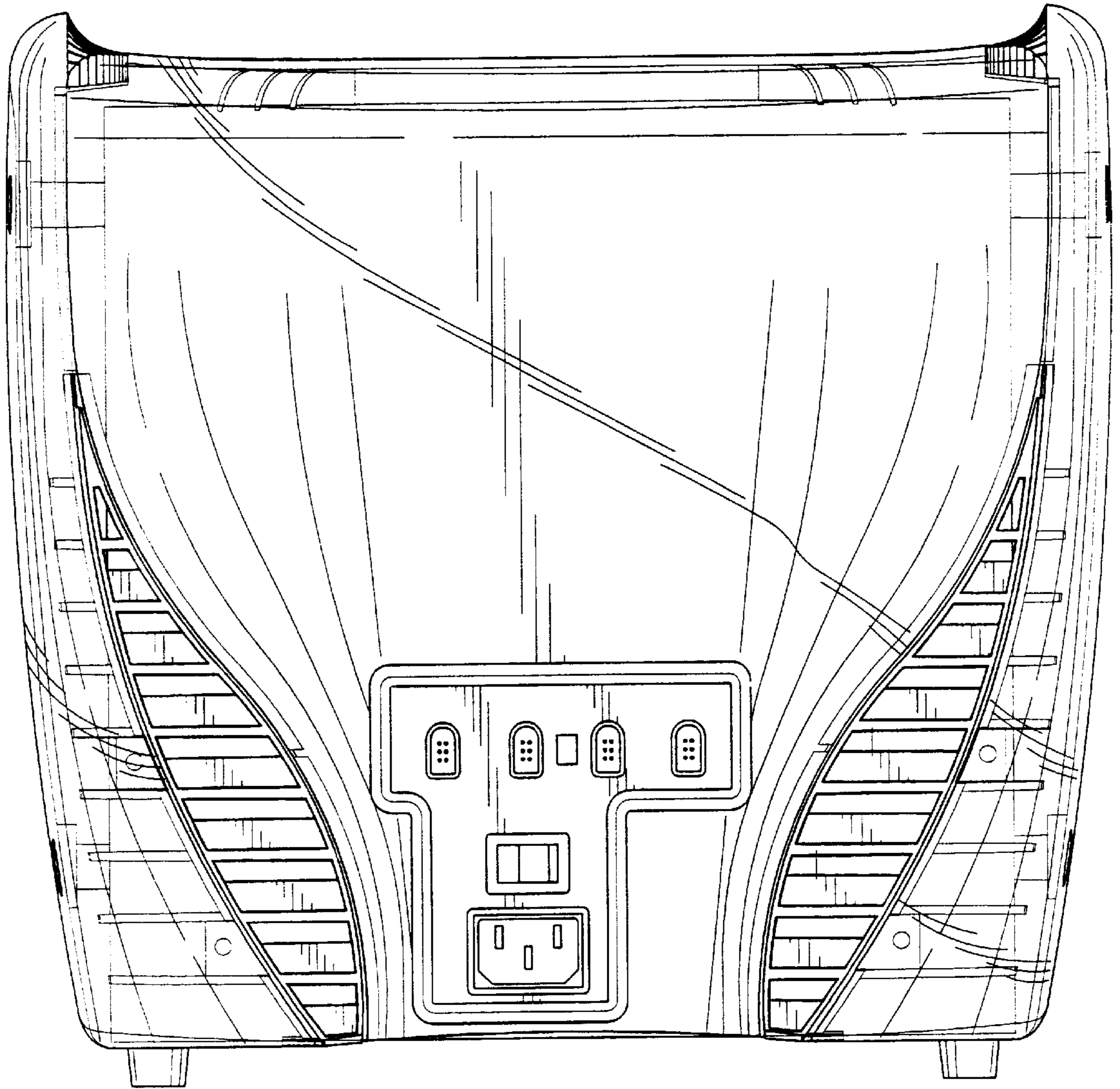


FIG. 6

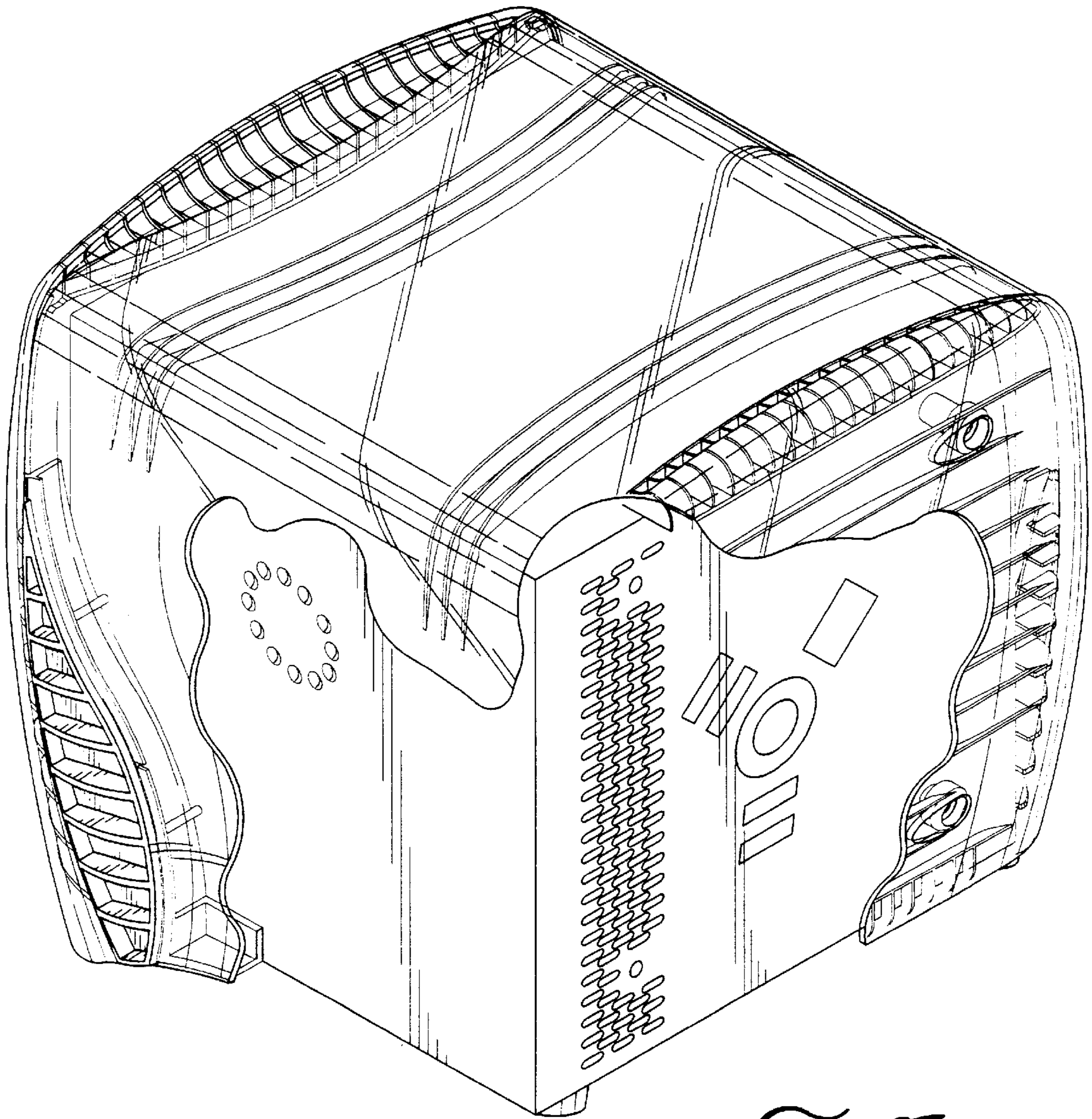


FIG. 7

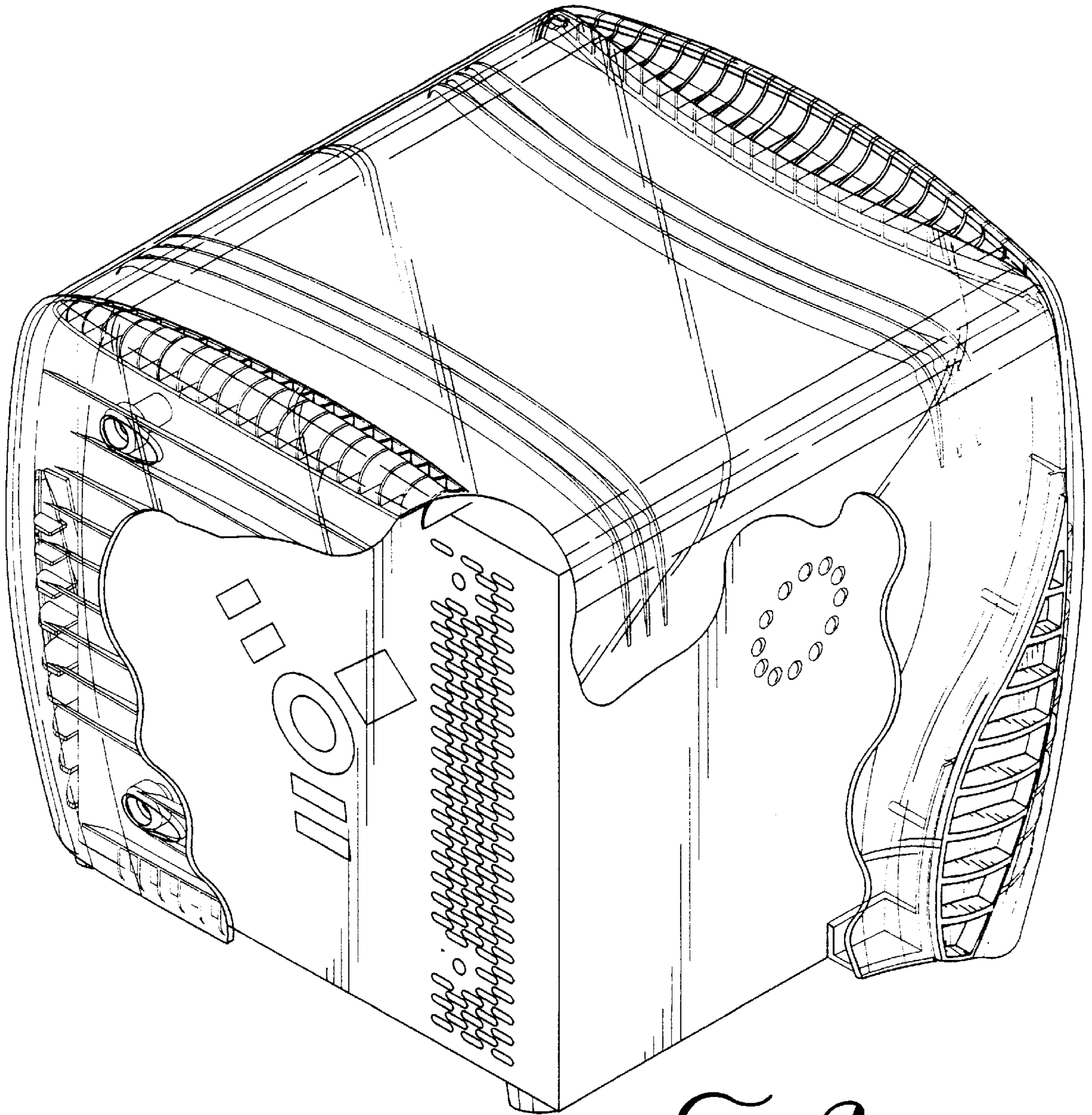


FIG. 8

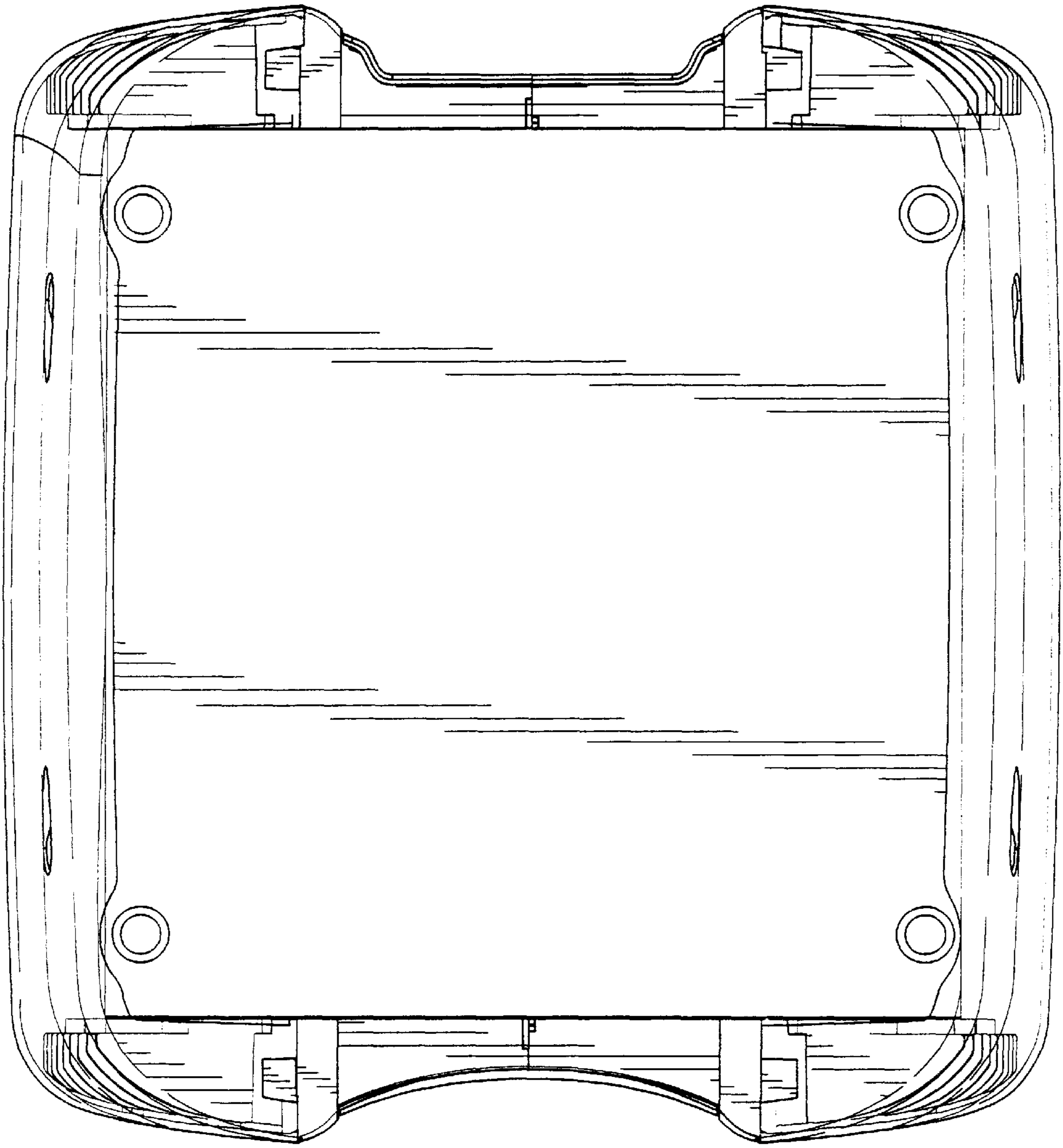


FIG. 9

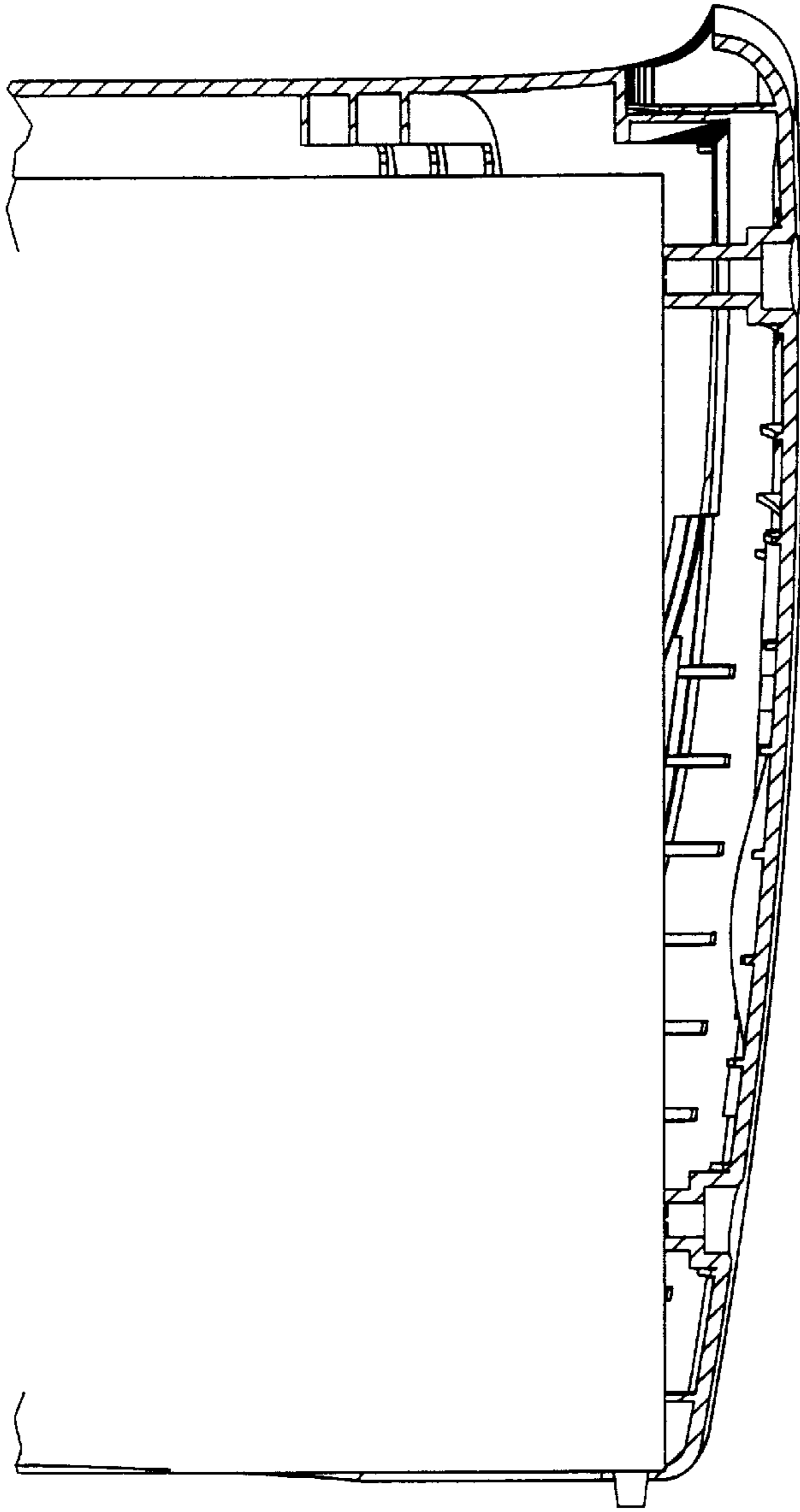


FIG. 10

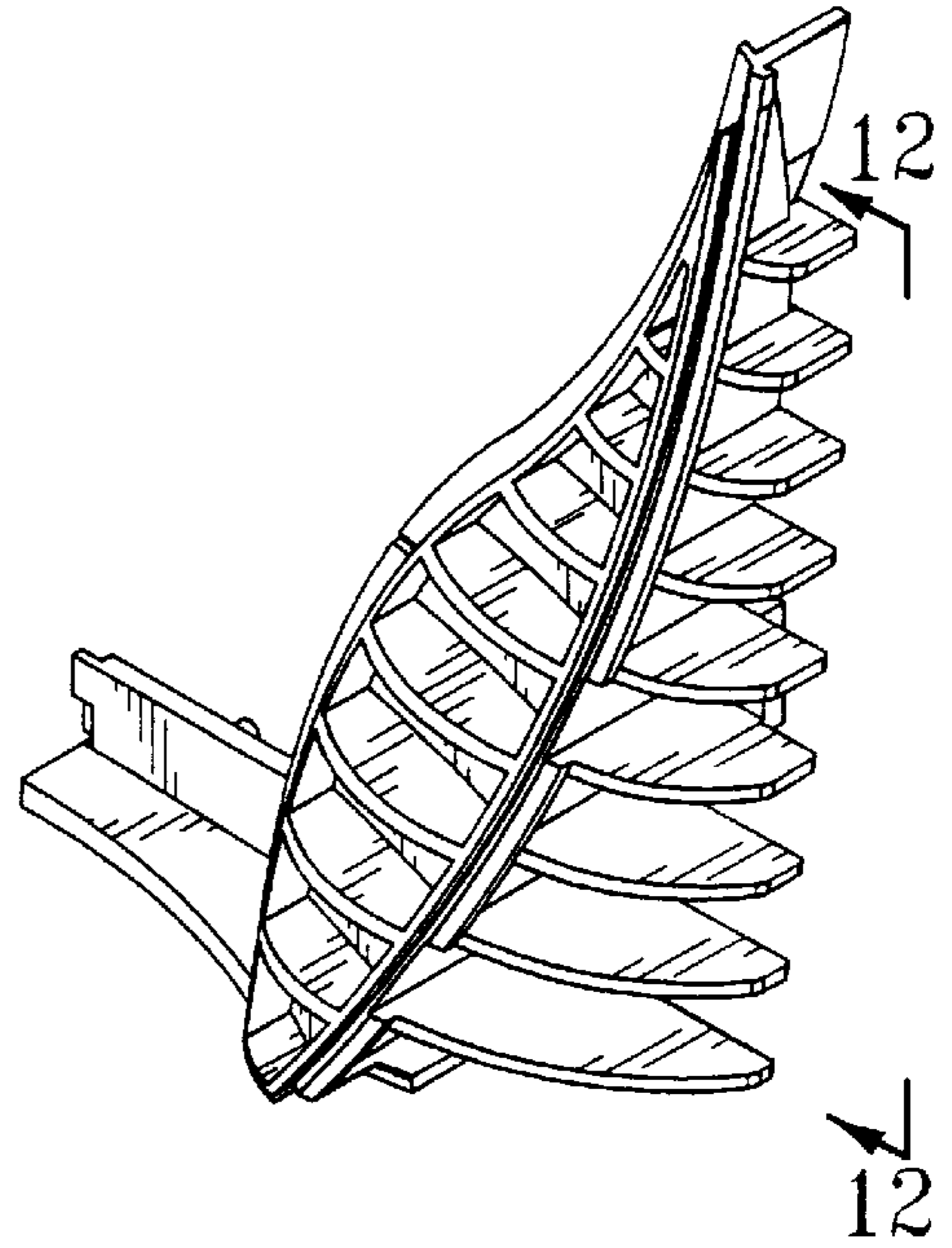


FIG. 11

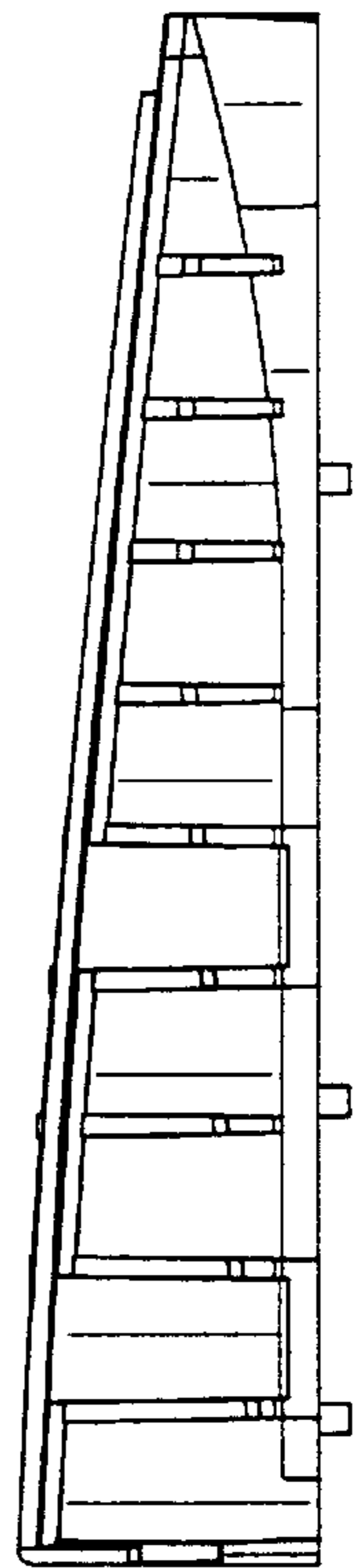


FIG. 12