



US00D442582S

(12) **United States Design Patent**
Lantin

(10) **Patent No.:** **US D442,582 S**

(45) **Date of Patent:** **** May 22, 2001**

(54) **PORTABLE PHONE ORGANIZER AND NOTE PAD**

(76) Inventor: **Denis J Lantin**, 1951 RG Rd 14 RR 1, Caistor Centre Ontario (CA), L0R 1E0

(**) Term: **14 Years**

(21) Appl. No.: **29/126,034**

(22) Filed: **Jul. 7, 2000**

(51) **LOC (7) Cl.** **14-02**

(52) **U.S. Cl.** **D14/345**

(58) **Field of Search** D14/345, 341, D14/342, 140, 252; D18/2, 7; D19/26; 708/105

(56) **References Cited**

U.S. PATENT DOCUMENTS

D. 355,166	*	2/1995	Sakaguchi et al.	D14/345
D. 359,306	*	6/1995	Lande et al.	D14/345 X
D. 388,456	*	12/1997	Takahata et al.	D14/345
D. 408,050	*	4/1999	Takahata et al.	D14/345
D. 409,227	*	5/1999	Takahata et al.	D14/345
5,898,600	*	4/1999	Isashi	708/105

* cited by examiner

Primary Examiner—Freda Nunn

(57) **CLAIM**

The ornamental design for a portable phone organizer and note pad, as shown and described.

DESCRIPTION

FIG. 1 is a front elevational view of the portable phone organizer and note pad of the present invention;
 FIG. 2 is a rear elevational view of the portable phone organizer and note pad of FIG. 1;
 FIG. 3 is a left side elevational view of the portable phone organizer and note pad of FIG. 1;
 FIG. 4 is a right side elevational view of the portable phone organizer and note pad of FIG. 1;
 FIG. 5 is a top plan view of the portable phone organizer and note pad of FIG. 1;
 FIG. 6 is a bottom plan view of the portable phone organizer and note pad of FIG. 1; and,
 FIG. 7 is a top, front, right side perspective view of the portable phone organizer and note pad of FIG. 1.
 The broken line showing of a phone in FIG. 7 is for illustrative purposes only and forms no part of the claimed design.

1 Claim, 4 Drawing Sheets

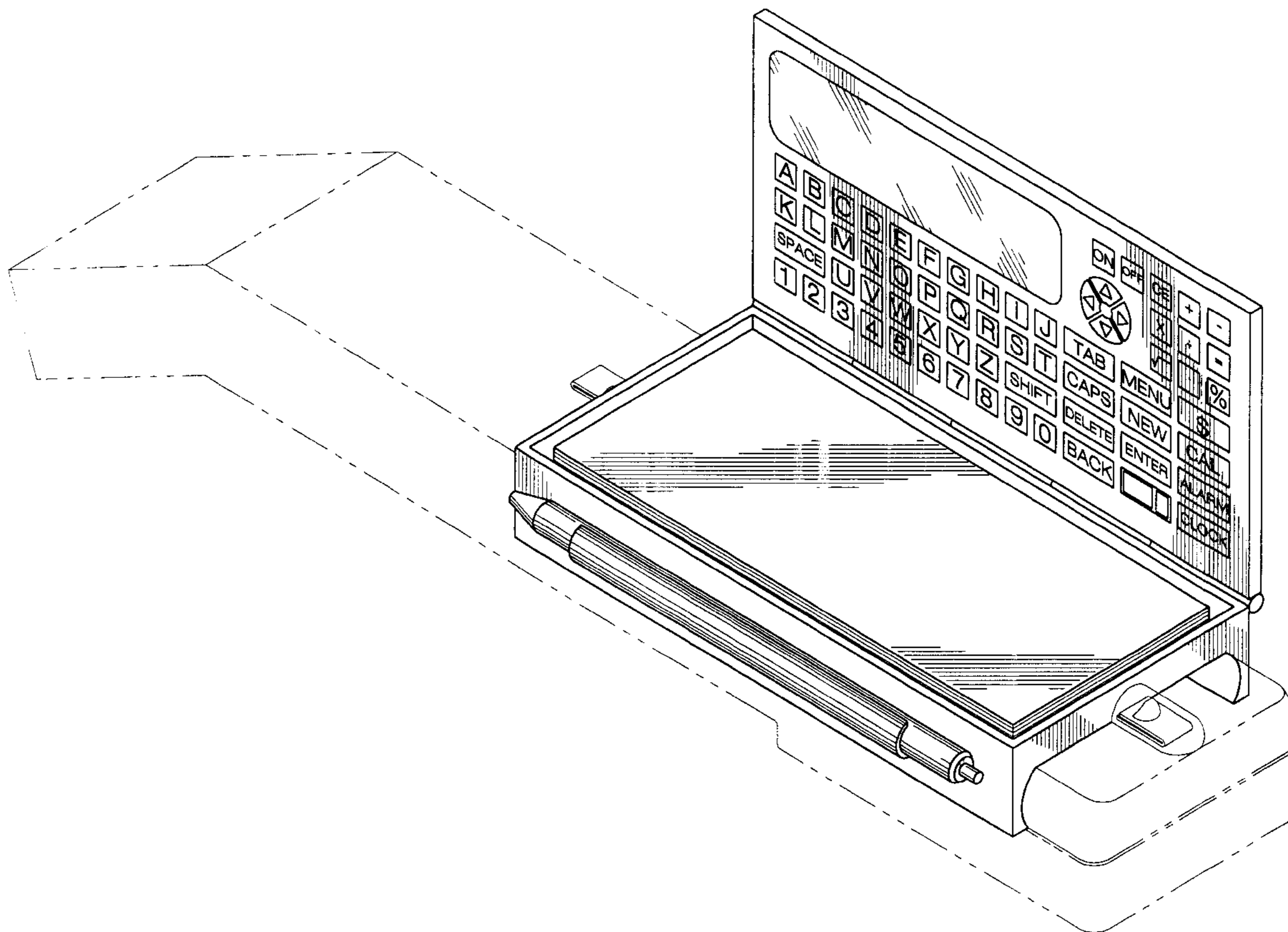


FIG. 1

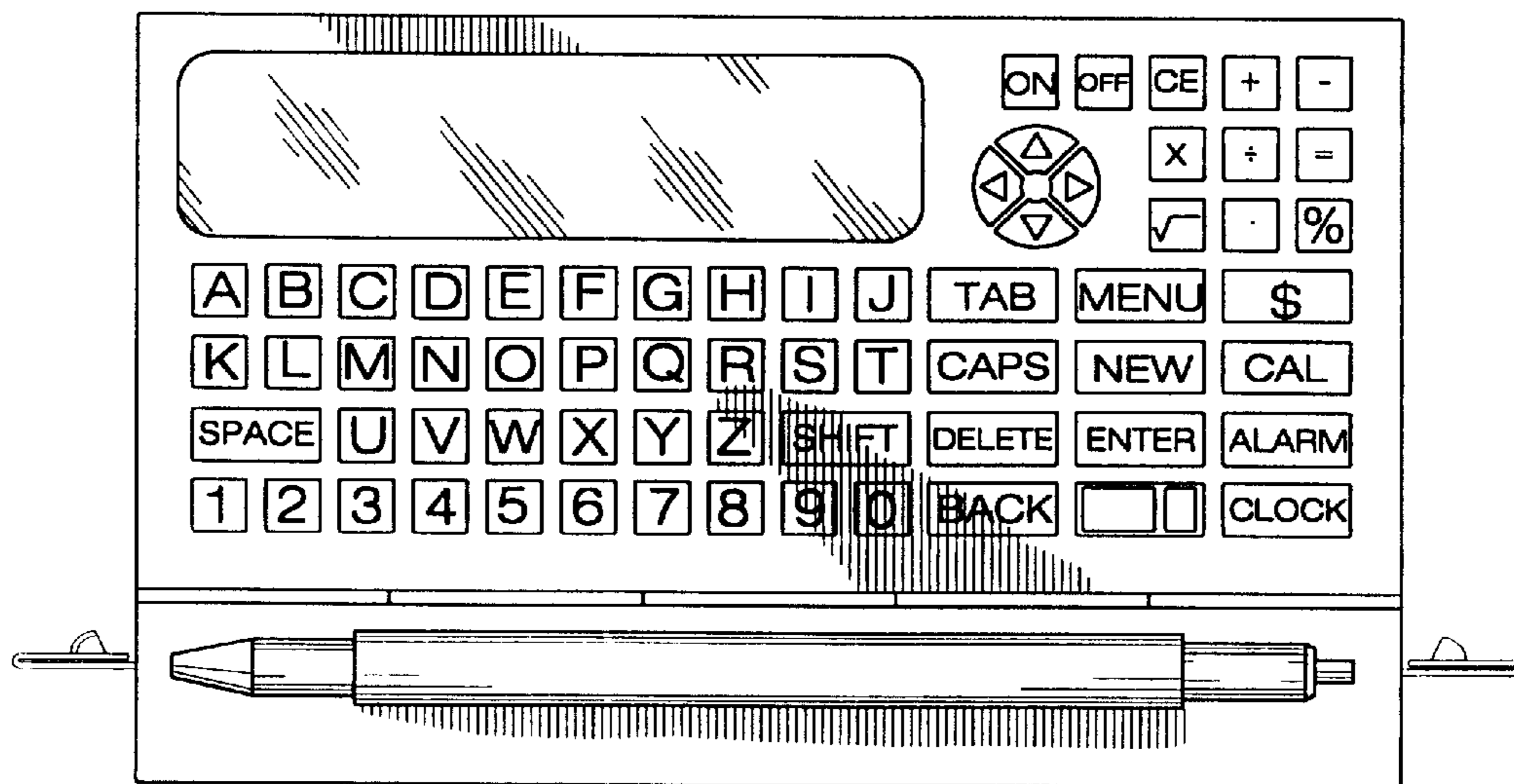
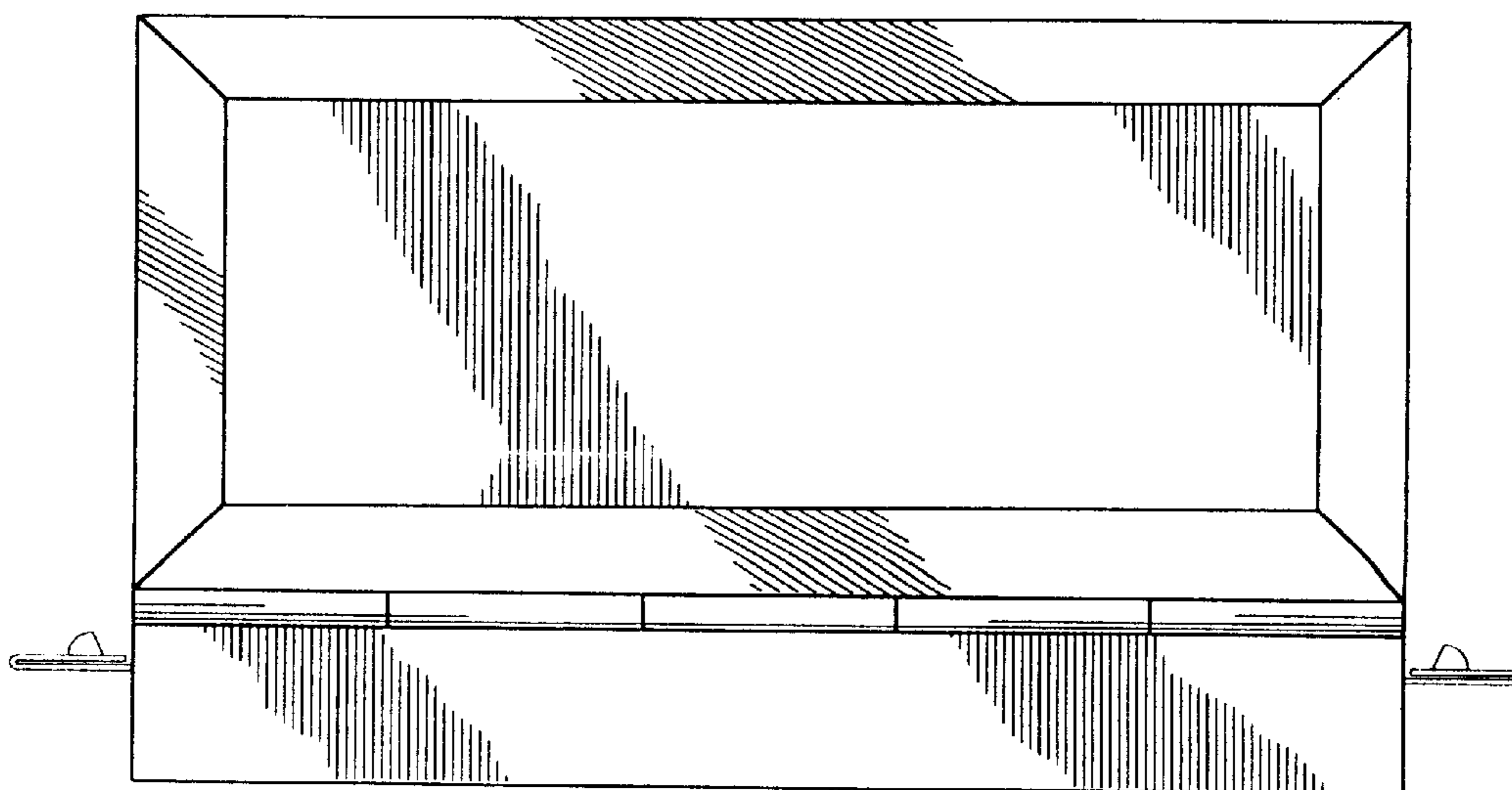


FIG. 2



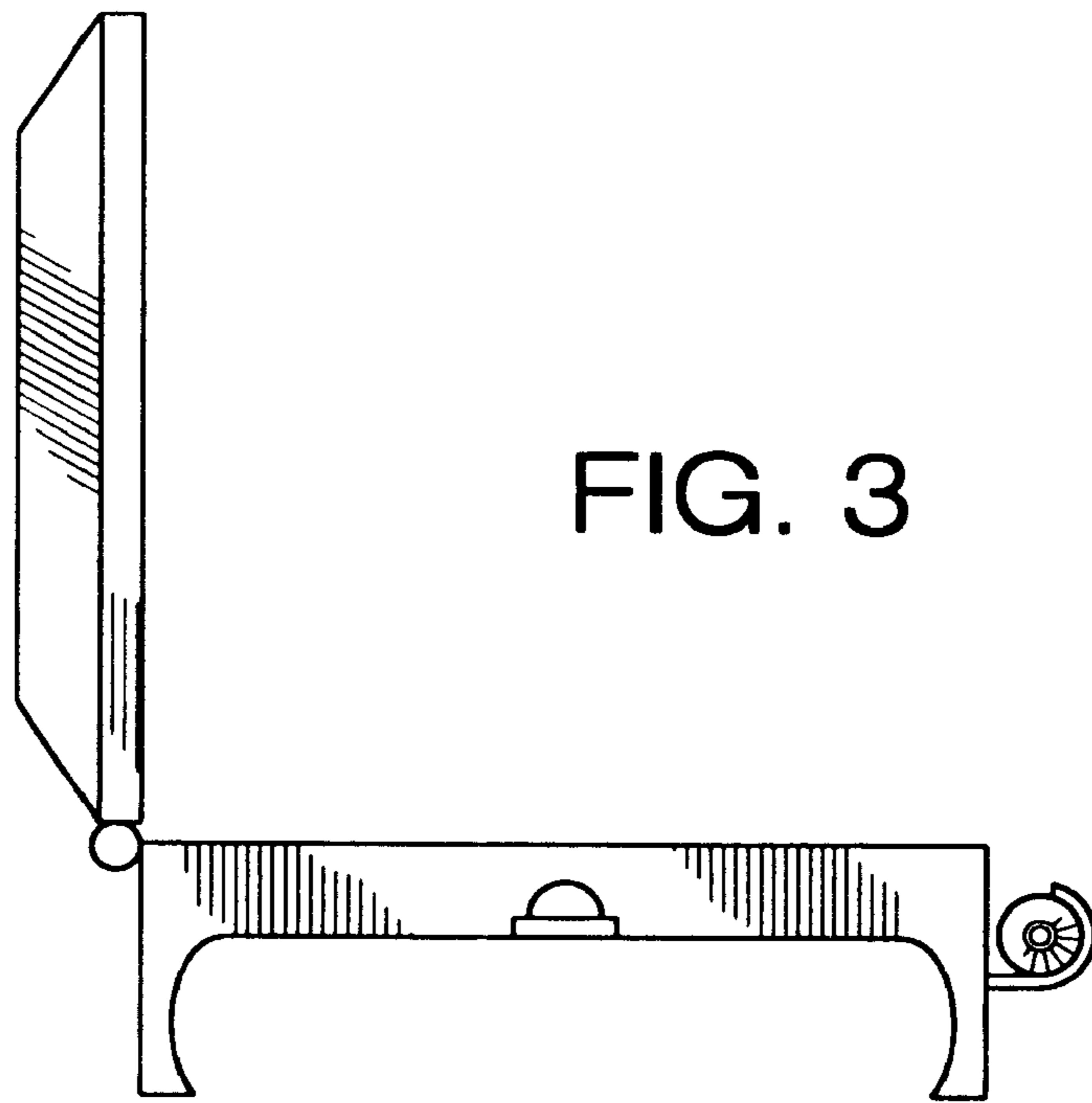


FIG. 3

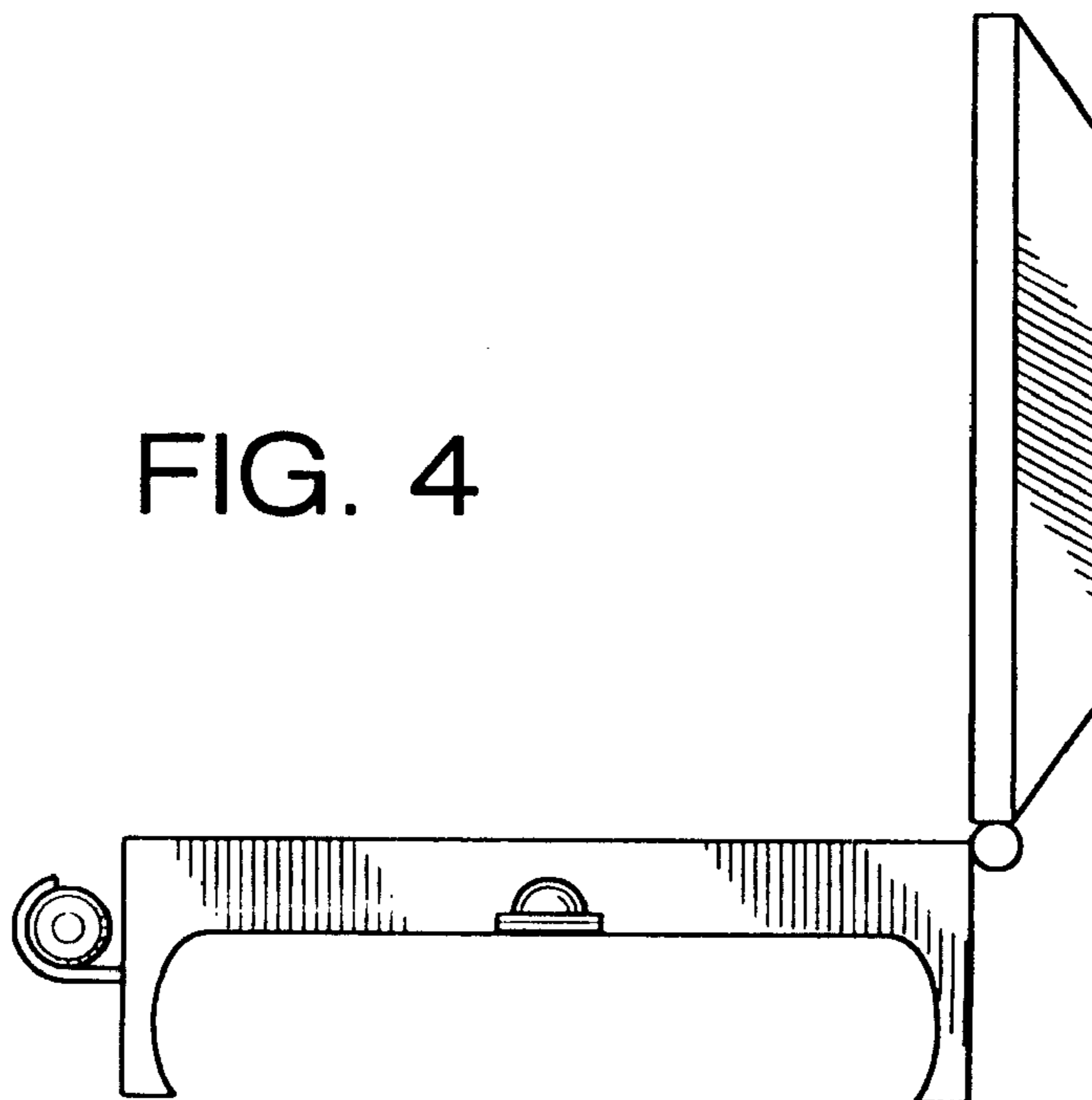


FIG. 4

FIG. 5

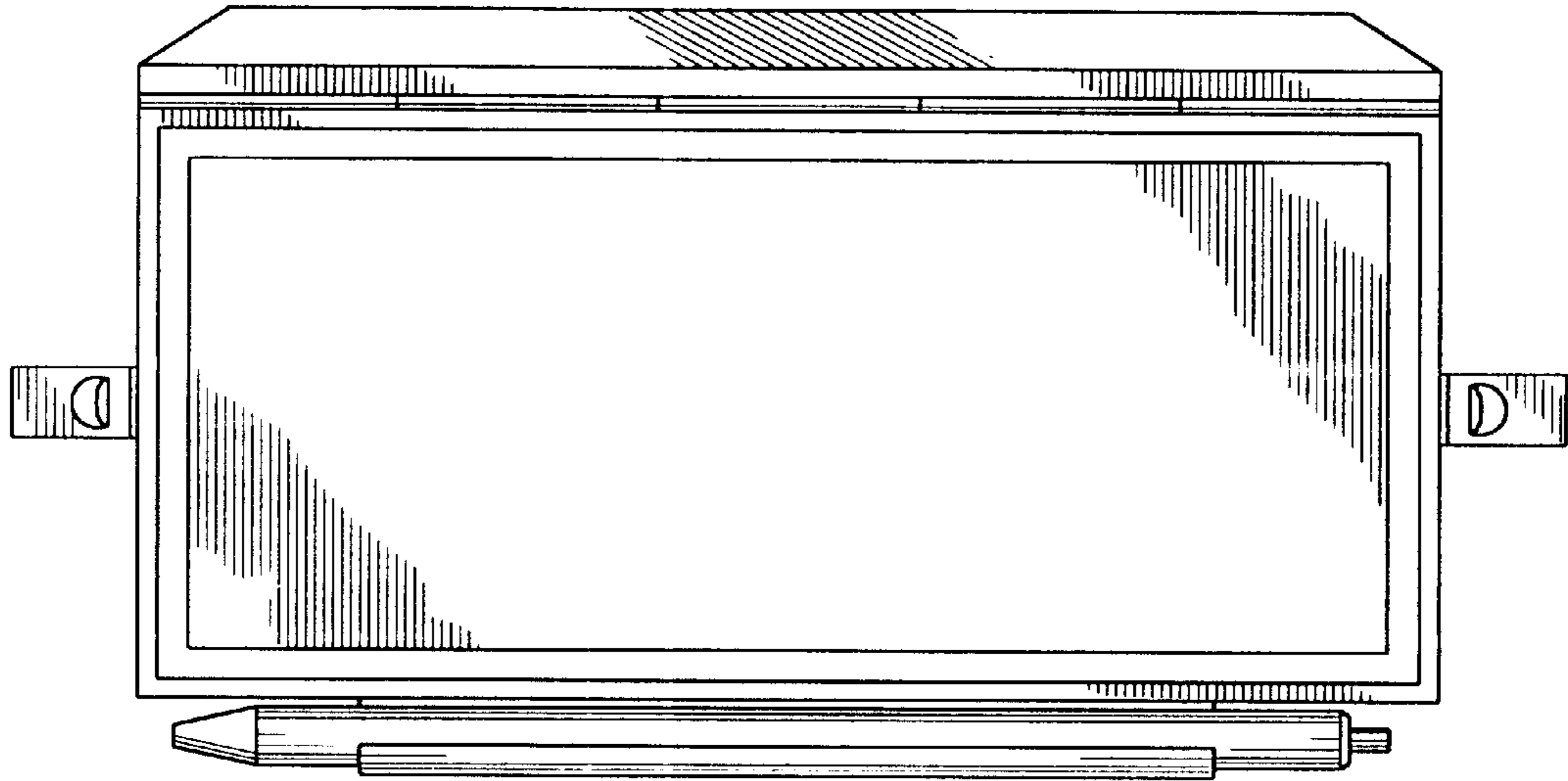
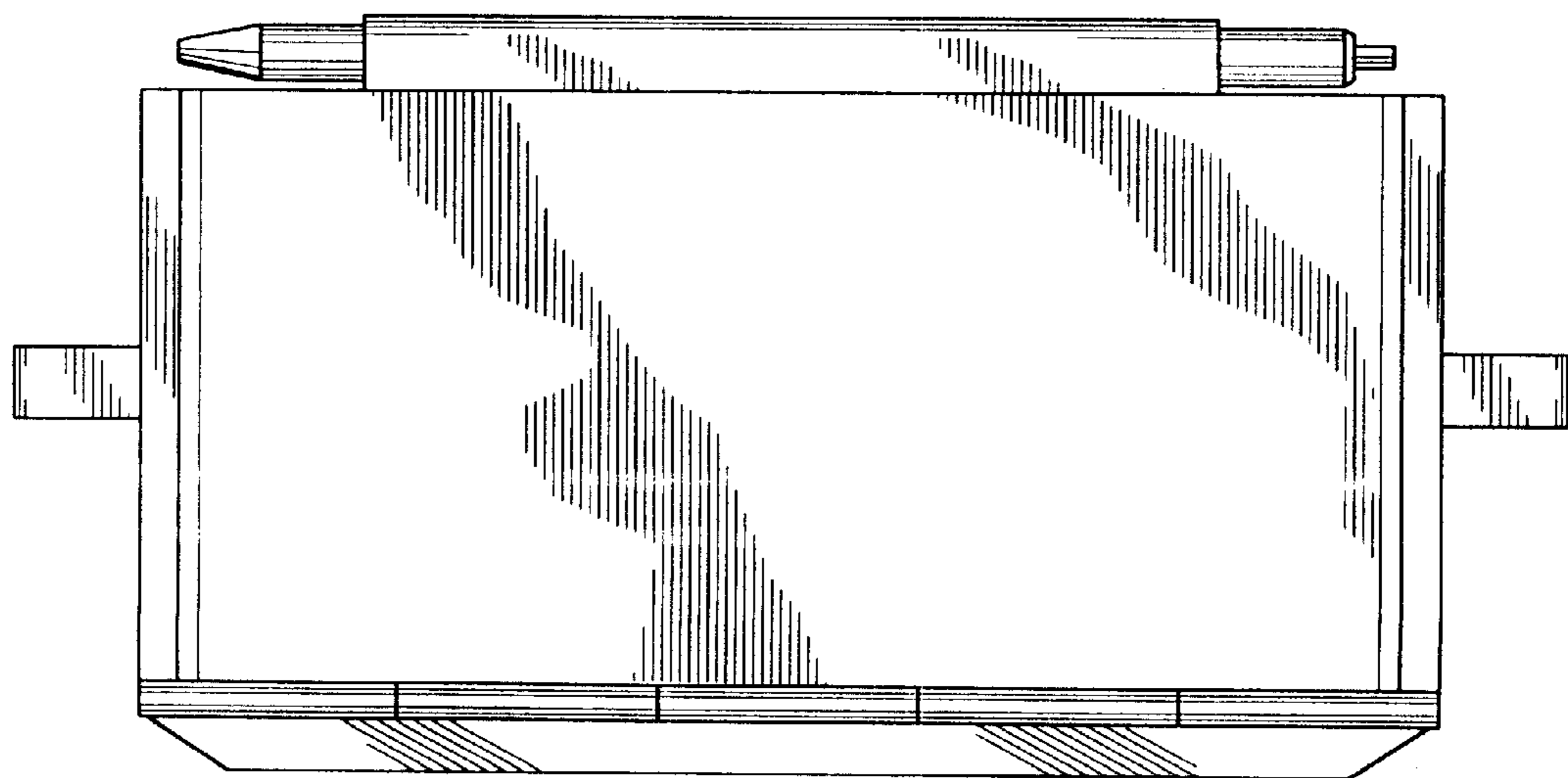


FIG. 6



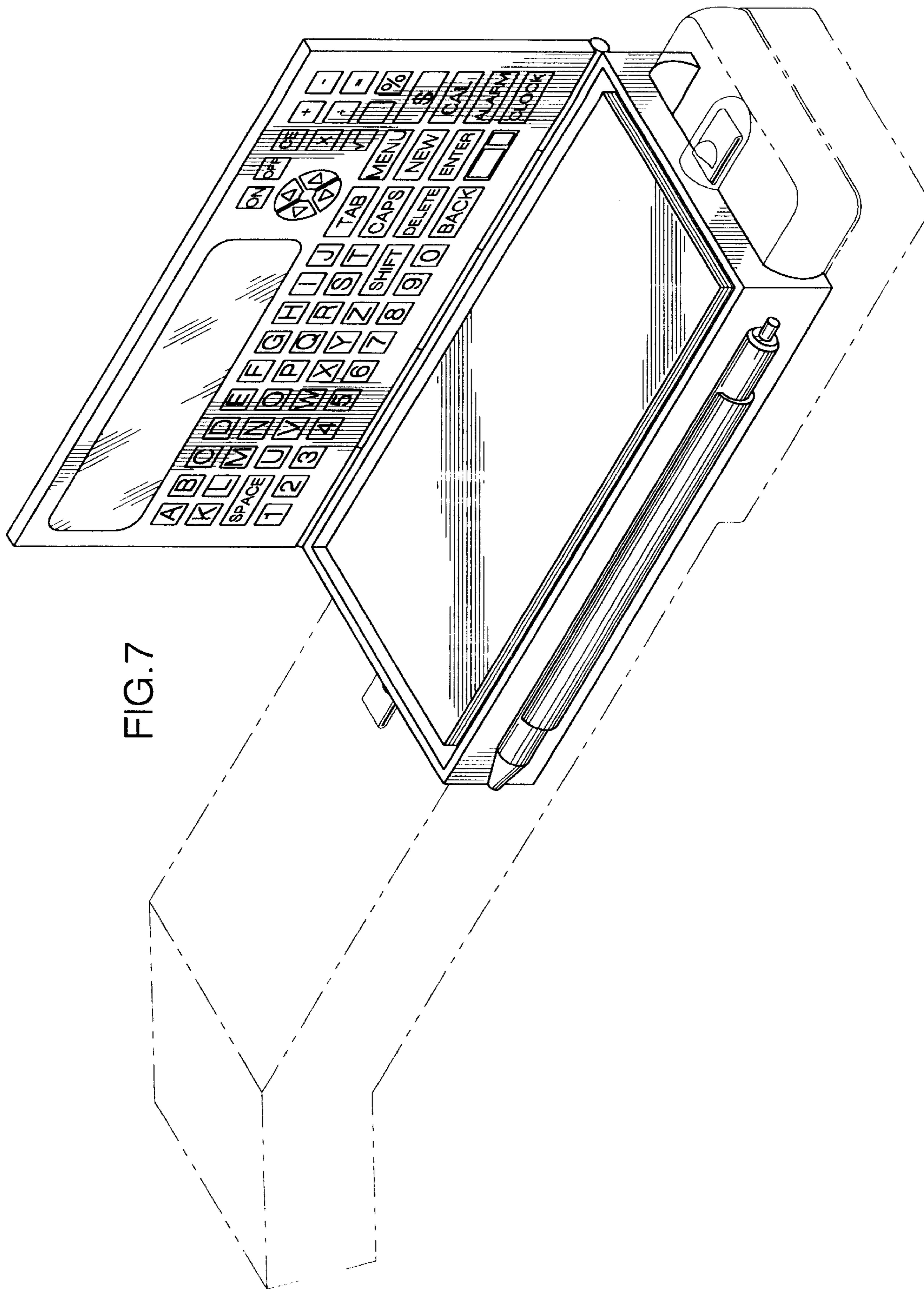


FIG. 7