



US00D442581S

(12) **United States Design Patent**
Su

(10) **Patent No.:** **US D442,581 S**

(45) **Date of Patent:** **** May 22, 2001**

(54) **DESKTOP COMPUTER**

(75) **Inventor:** **Fei-Mi Su, Chang-Hua Hsien (TW)**

(73) **Assignee:** **Universal Scientific Industrial Co., Ltd., Nan-Tou Hsien (TW)**

(**) **Term:** **14 Years**

(21) **Appl. No.:** **29/125,170**

(22) **Filed:** **Jun. 20, 2000**

(51) **LOC (7) Cl.** **14-02**

(52) **U.S. Cl.** **D14/337**

(58) **Field of Search** D14/374, 375,
D14/376, 382, 336, 337, 126-129; 345/104,
133, 156, 168, 173; 348/180, 184; 248/917-924;
349/1, 2, 11, 62

(56) **References Cited**

U.S. PATENT DOCUMENTS

- D. 356,077 * 3/1995 Harada et al. D14/126
- D. 391,934 * 3/1998 Uehara et al. D14/375
- D. 397,094 * 8/1998 Kishi et al. D14/337

- D. 413,586 * 9/1999 Kondo D14/375
- D. 416,877 * 11/1999 Liu et al. D14/375

* cited by examiner

Primary Examiner—Freda Nunn

(74) *Attorney, Agent, or Firm*—Jacobson, Price, Holman & Stern, PLLC

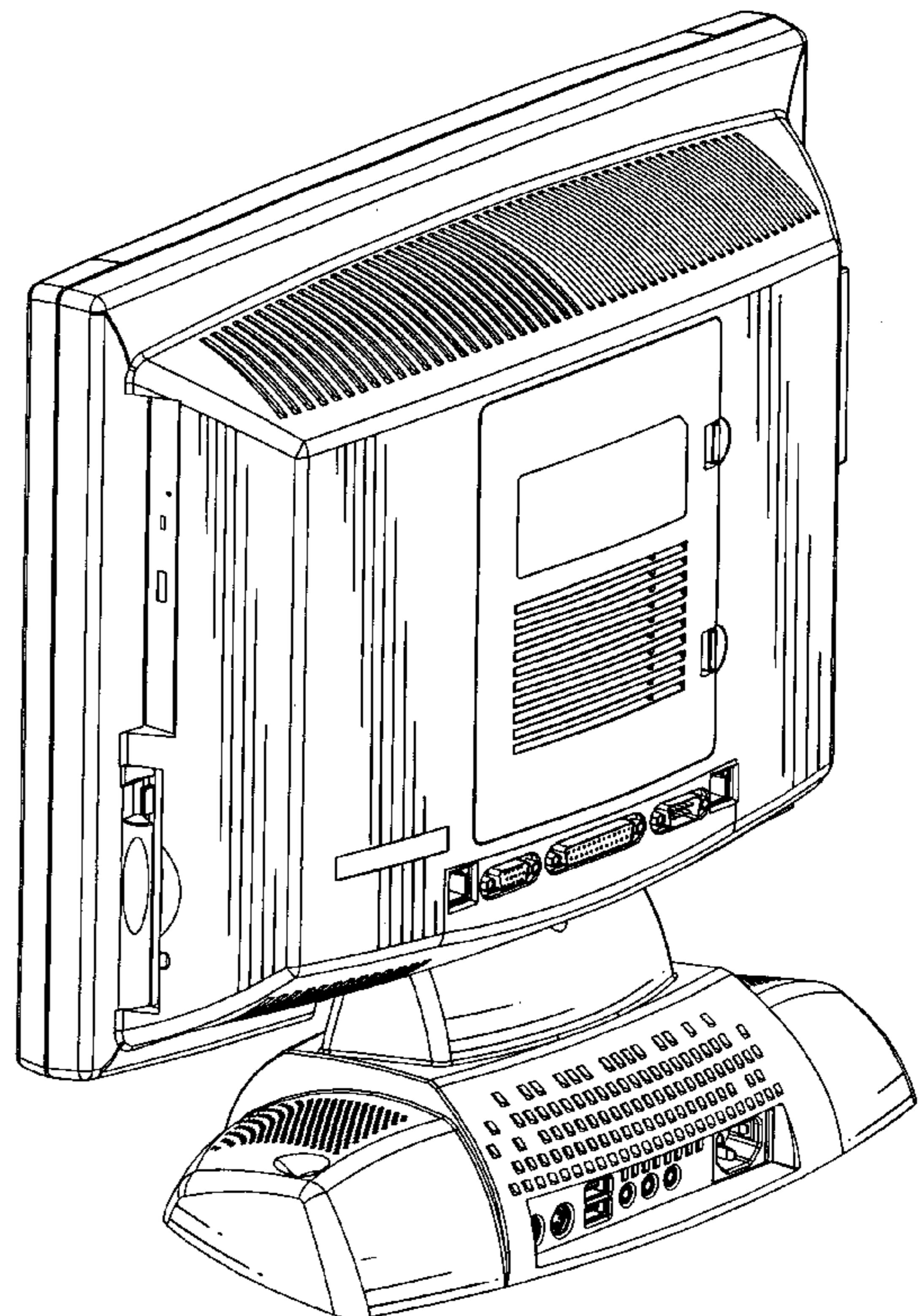
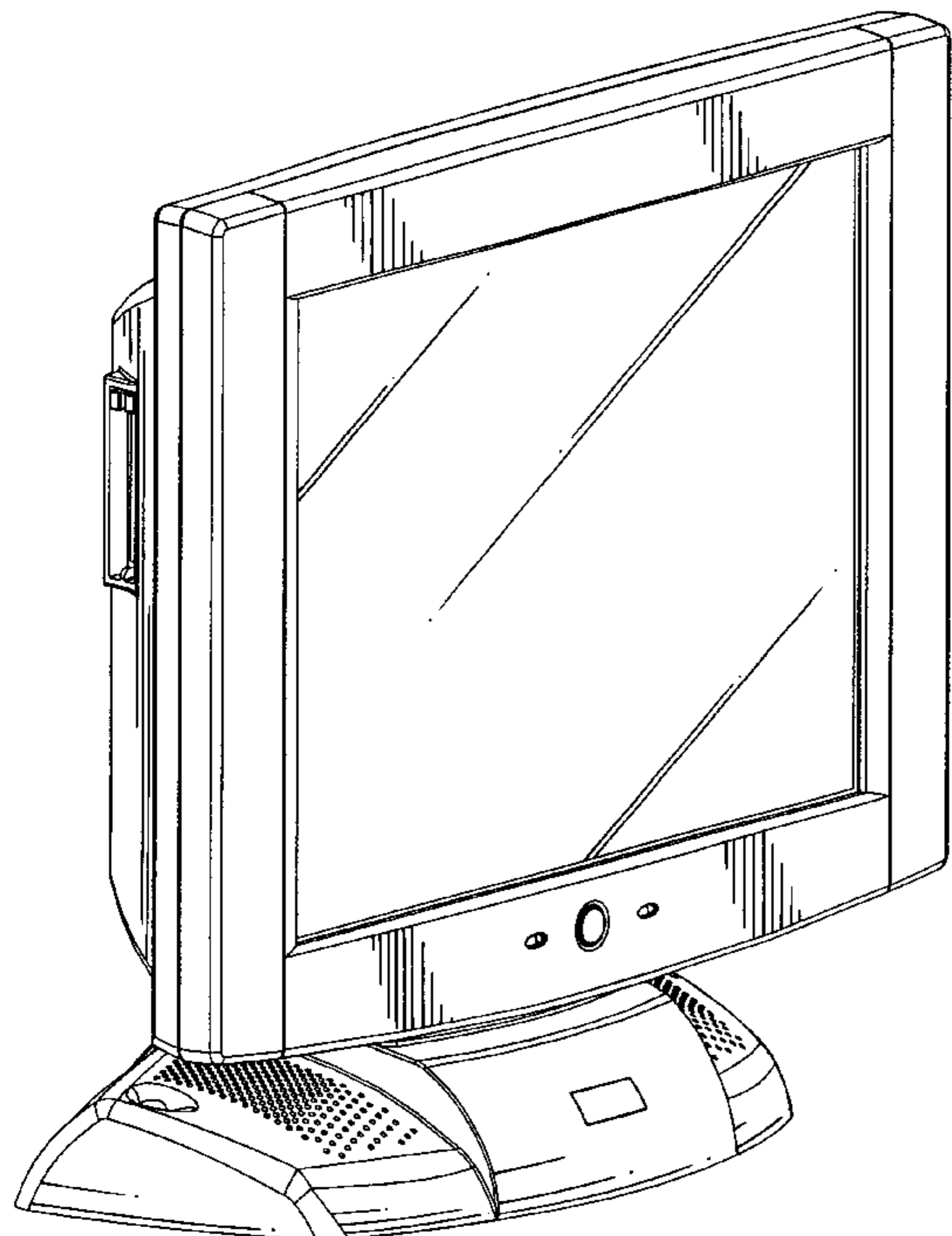
(57) **CLAIM**

The ornamental design for a desktop computer, as shown and described.

DESCRIPTION

FIG. 1 is a perspective view of desktop computer showing my new design;
 FIG. 2 is a front elevational view thereof;
 FIG. 3 is a rear elevational view thereof;
 FIG. 4 is a left side elevational view thereof;
 FIG. 5 is a right side elevational view thereof;
 FIG. 6 is a top plan view thereof;
 FIG. 7 is a bottom plan view thereof; and,
 FIG. 8 is a rear perspective view.

1 Claim, 8 Drawing Sheets



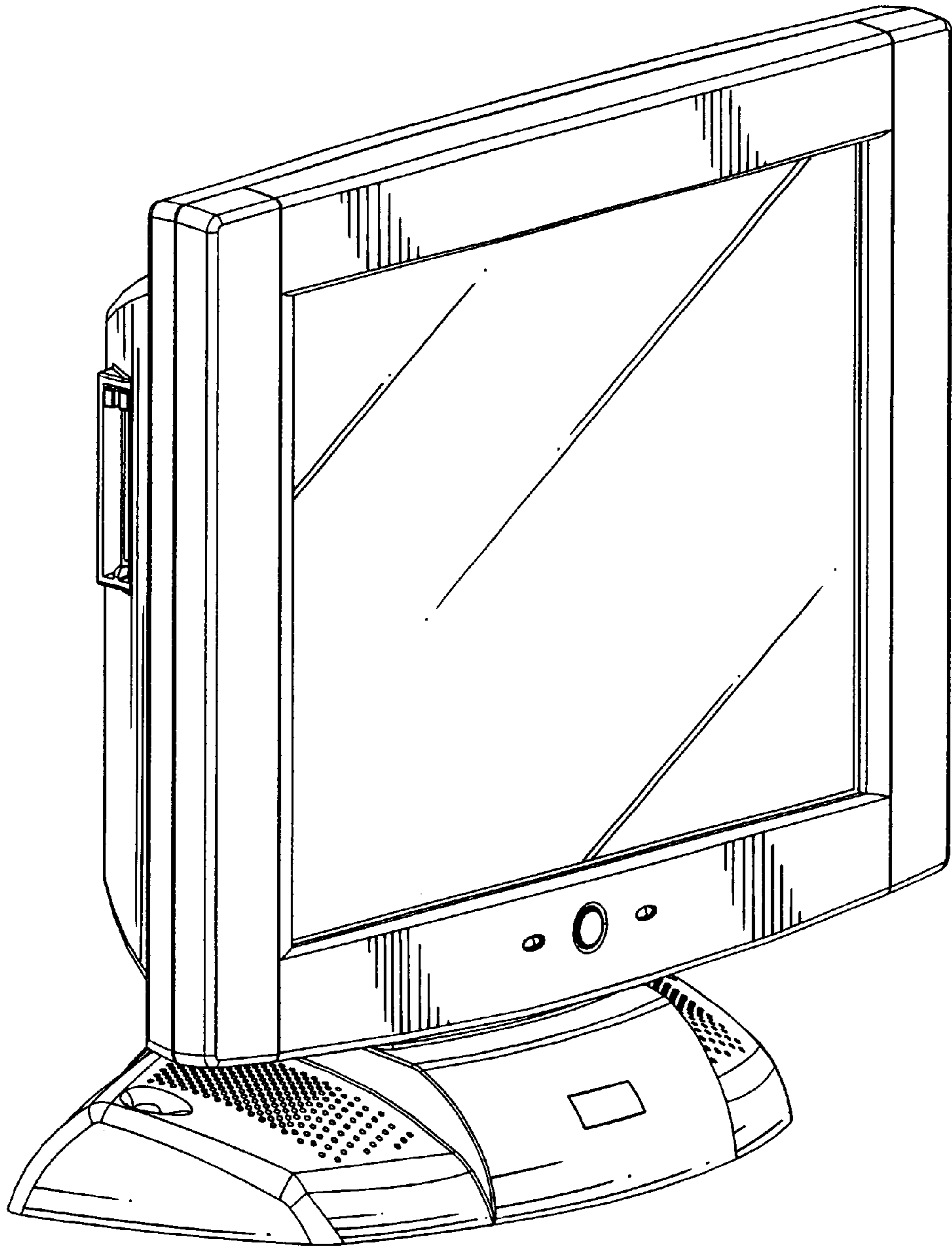


FIG. 1

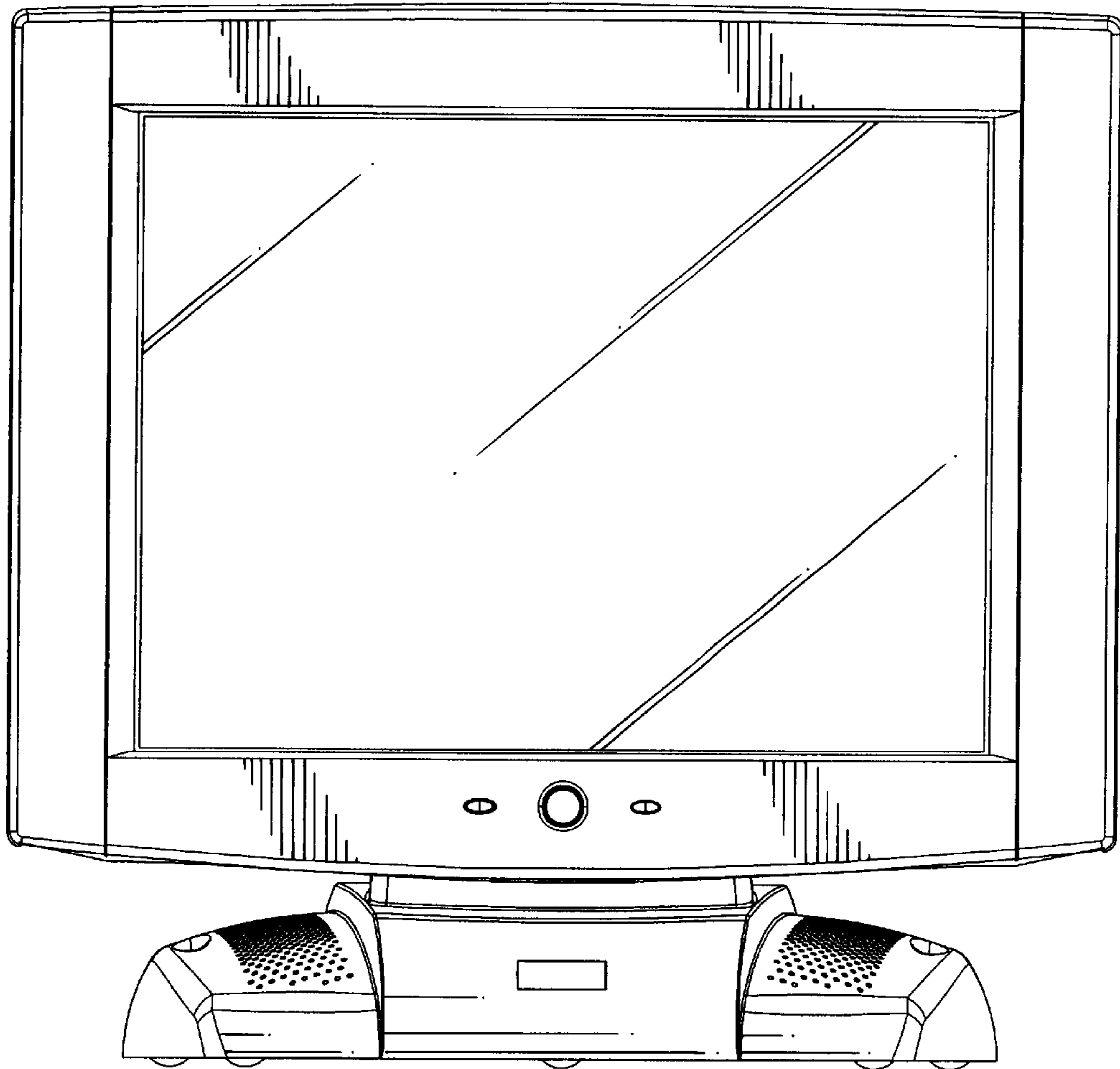


FIG. 2

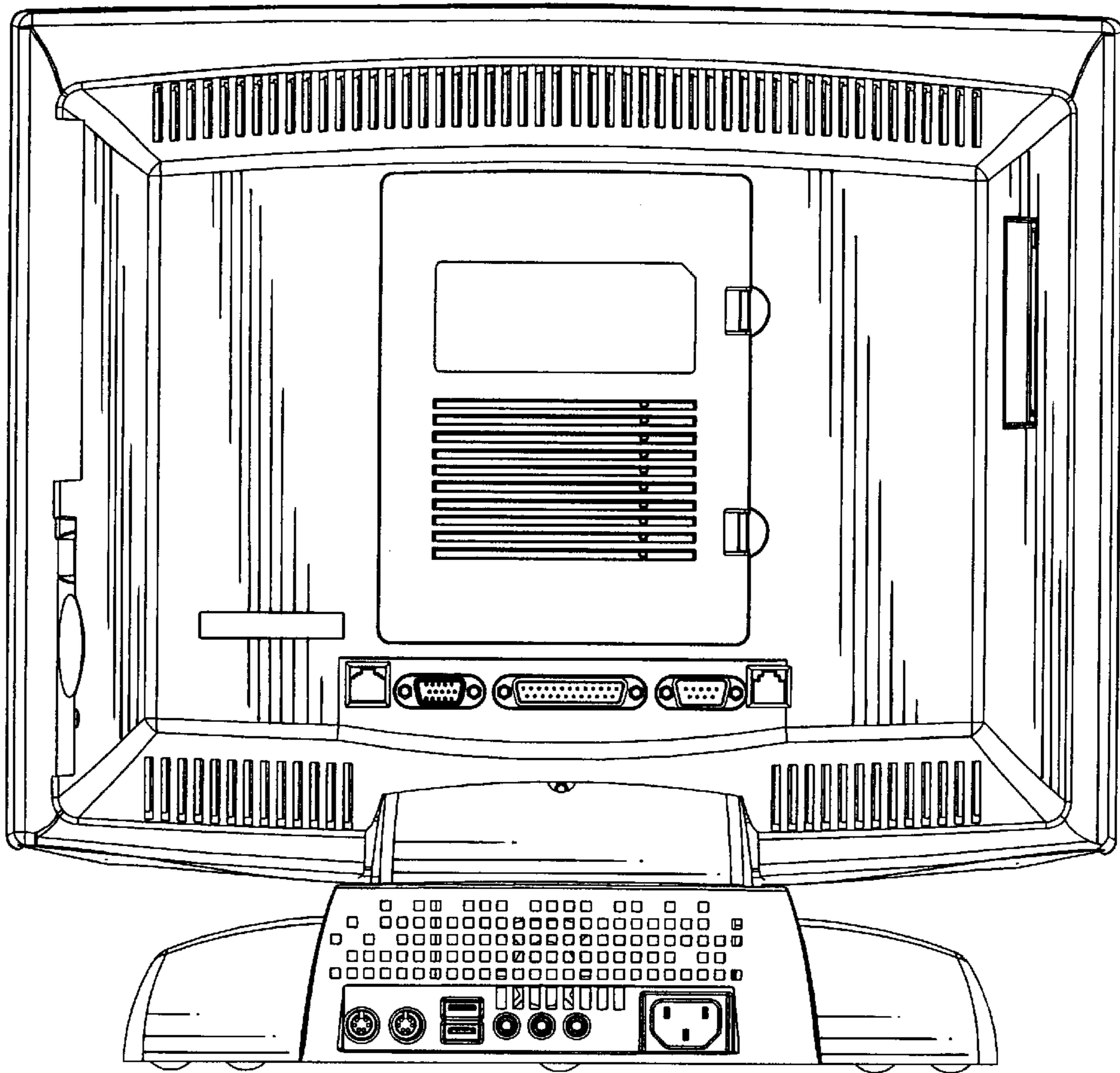


FIG. 3

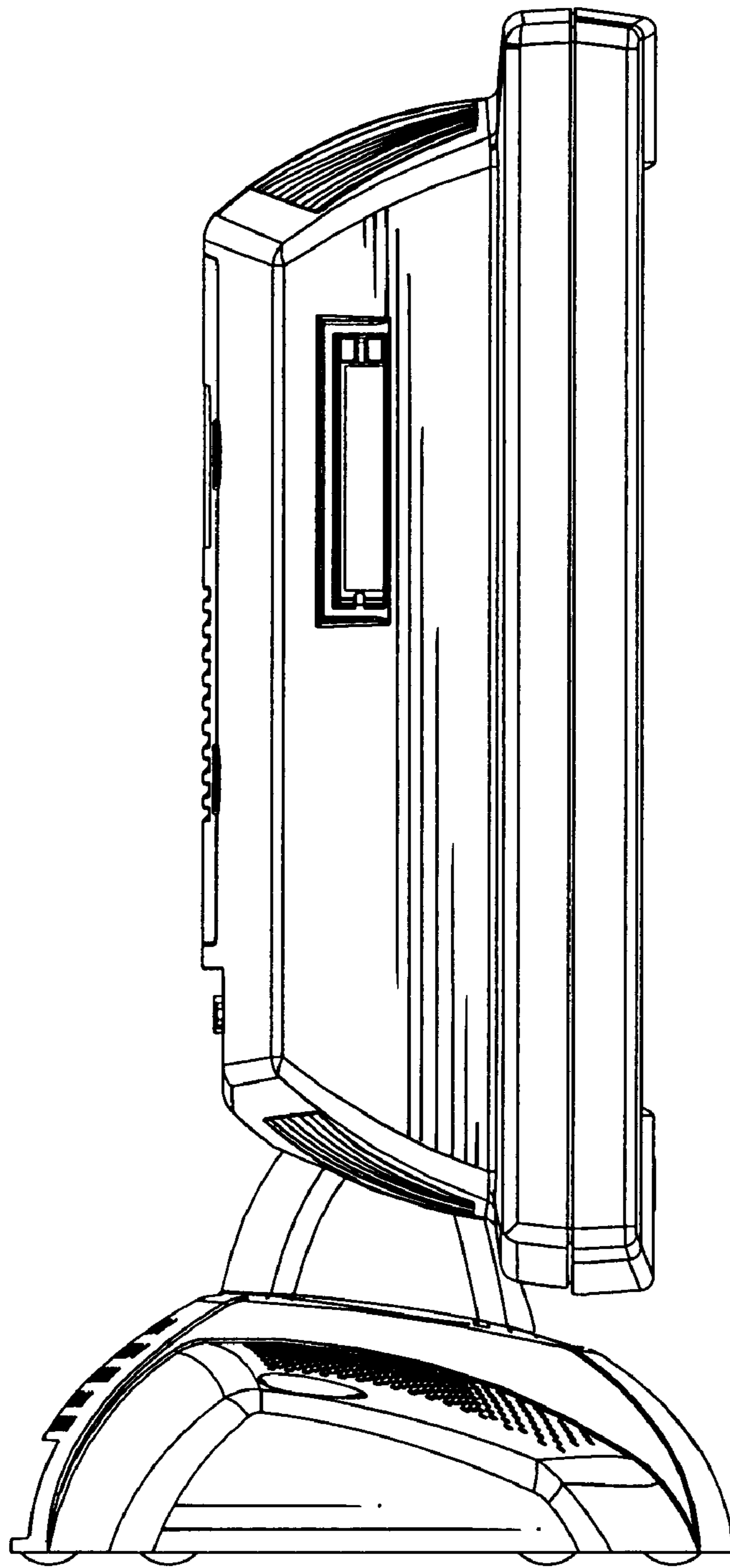


FIG. 4

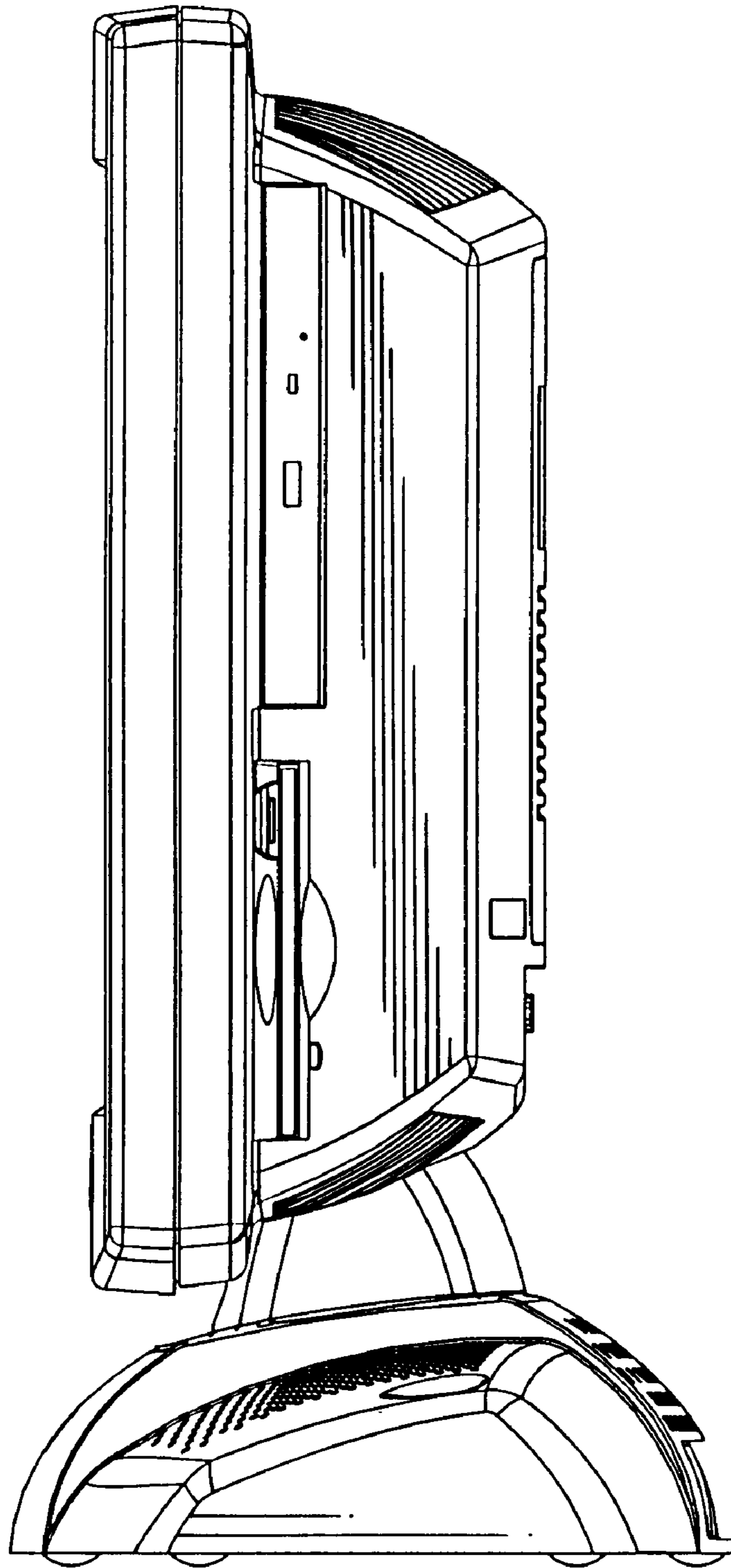


FIG. 5

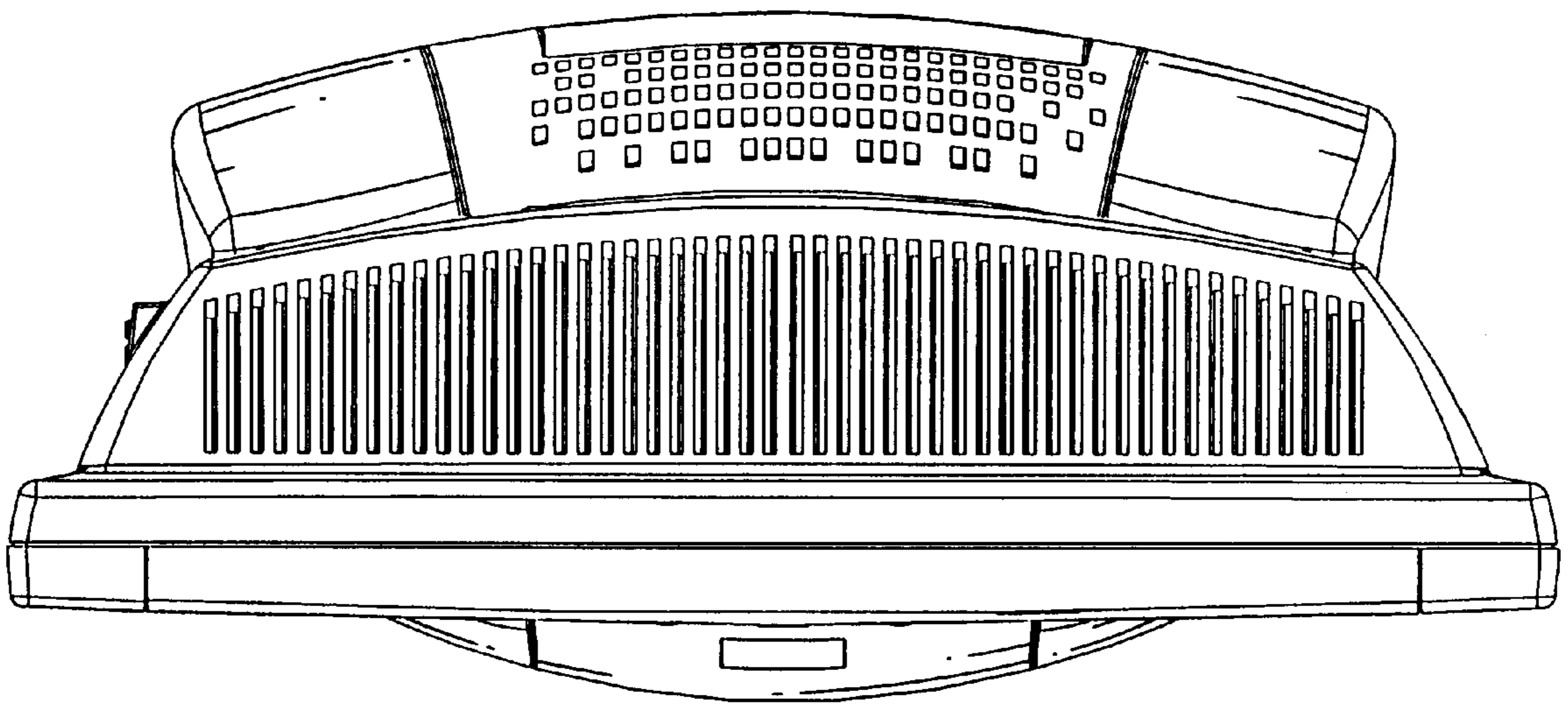


FIG. 6

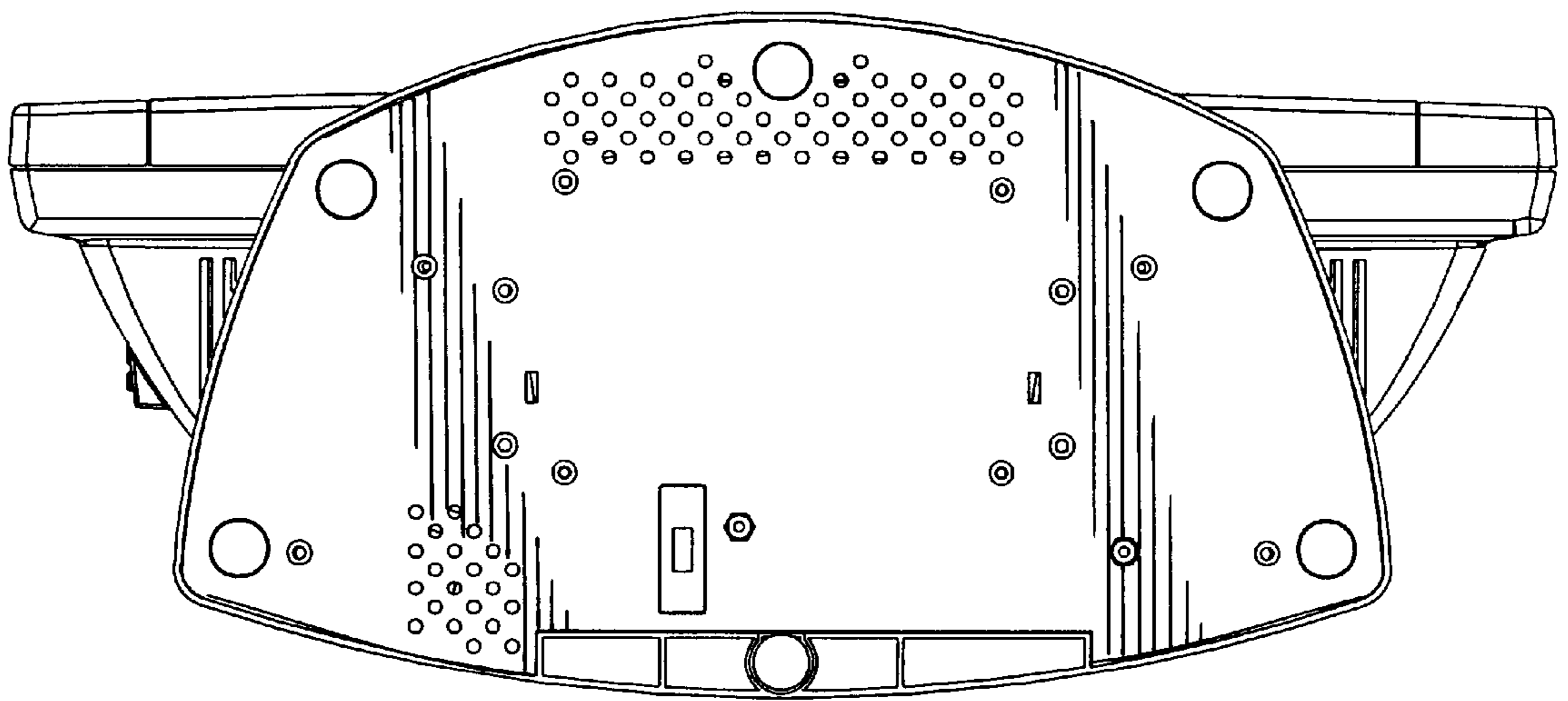


FIG. 7

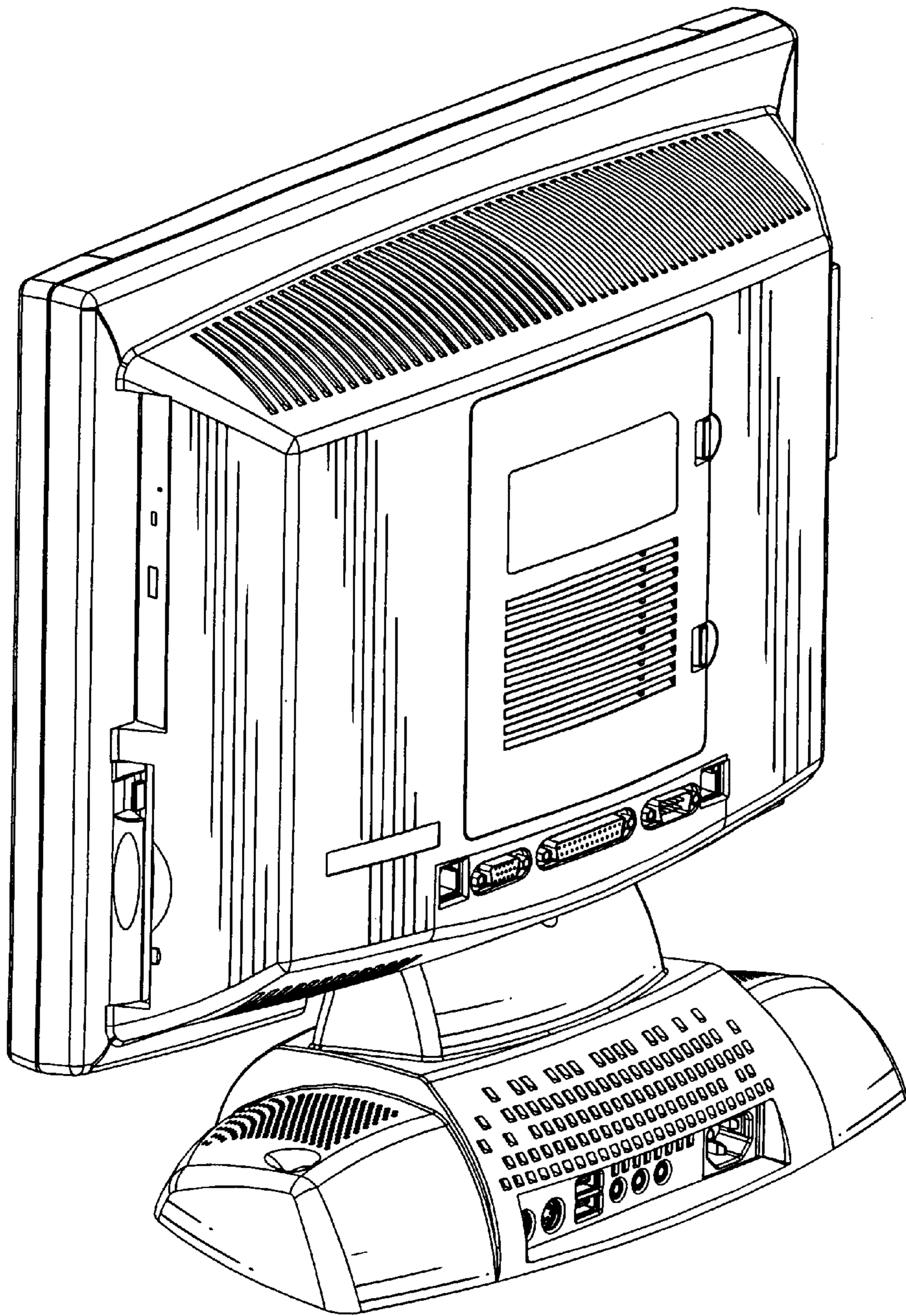


FIG. 8