



US00D442580S

(12) **United States Design Patent**
Wolff et al.

(10) **Patent No.:** **US D442,580 S**

(45) **Date of Patent:** **** May 22, 2001**

(54) **NOTEBOOK COMPUTER**

D. 396,703 * 8/1998 Han D14/318
D. 410,442 6/1999 Goodner et al. D14/318

(75) Inventors: **Stacy L. Wolff**, Cypress; **Kevin L. Massaro**, Houston, both of TX (US)

* cited by examiner

(73) Assignee: **Compaq Computer Corporation**, Houston, TX (US)

Primary Examiner—Freda Nunn

(74) *Attorney, Agent, or Firm*—Akin, Gump, Strauss, Hauer & Feld, LLP

(**) Term: **14 Years**

(57) **CLAIM**

(21) Appl. No.: **29/125,074**

The ornamental design for a notebook computer, as shown and described.

(22) Filed: **Jun. 15, 2000**

DESCRIPTION

(51) **LOC (7) Cl.** **14-02**

(52) **U.S. Cl.** **D14/322; D14/318**

(58) **Field of Search** D14/315, 318,
D14/319, 323, 322, 326, 327; D18/1, 2,
7; 235/145 A, 145 R; 341/22, 23; 345/104,
156, 168, 169, 173; 361/679–686; 400/486,
489

FIG. 1 is a top, front and right-side perspective view of a notebook computer showing our new design with the computer in the closed position;

FIG. 2 is a front elevational view thereof;

FIG. 3 is a top plan view thereof;

FIG. 4 is a right-side elevational view thereof;

FIG. 5 is a left-side elevational view thereof;

FIG. 6 is a rear elevational view thereof;

FIG. 7 is a bottom view thereof;

FIG. 8 is a top, front and right side perspective view of the notebook computer with the computer in the open position;

FIG. 9 is a front elevational view thereof;

FIG. 10 is a top plan view thereof;

FIG. 11 is a right-side elevational view thereof;

FIG. 12 is a left-side elevational view thereof; and,

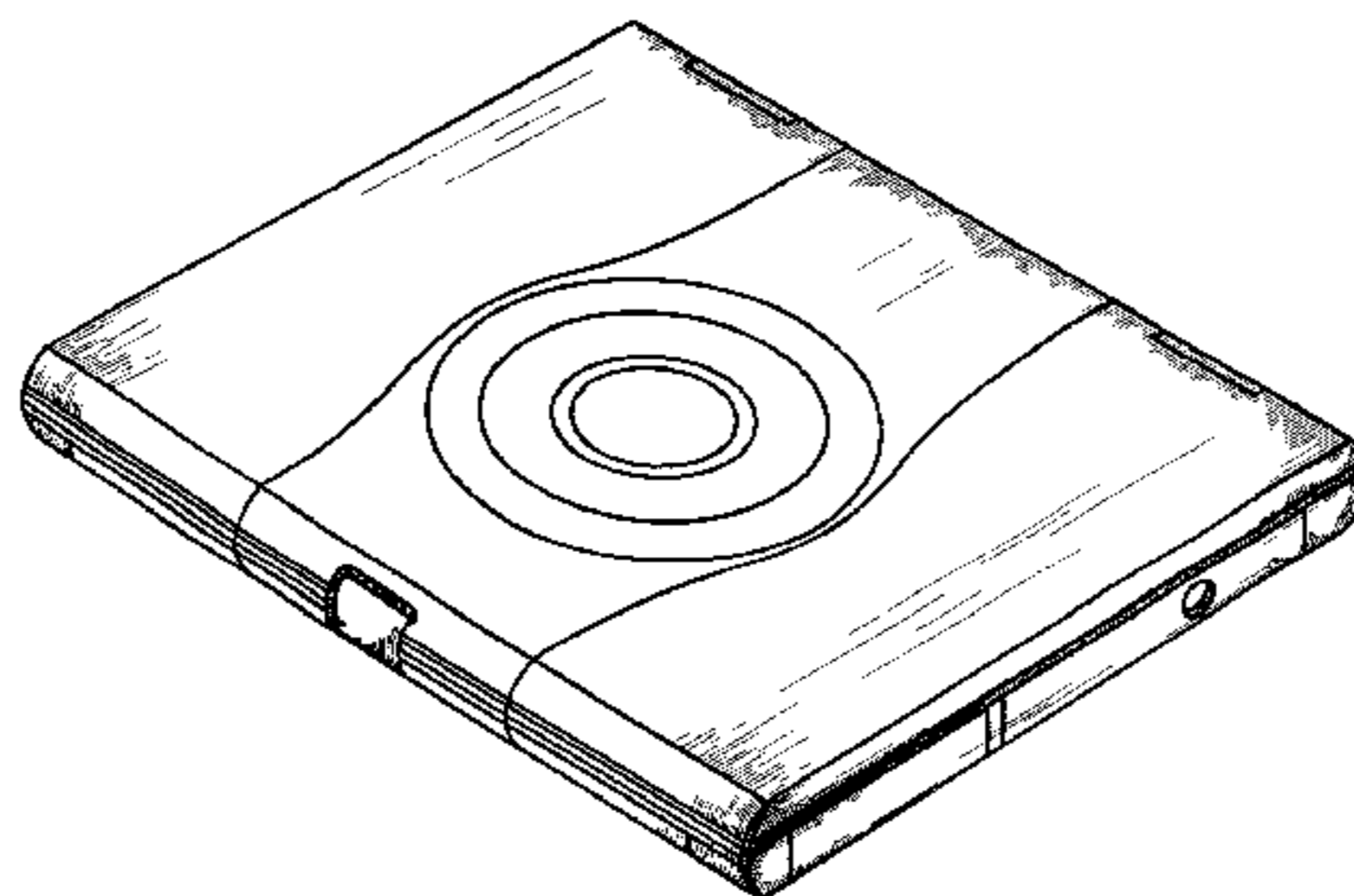
FIG. 13 is a rear elevational view thereof.

(56) **References Cited**

U.S. PATENT DOCUMENTS

D. 317,442	6/1991	Gintz et al.	D14/322
D. 338,660	8/1993	Youens et al.	D14/322
D. 345,552	3/1994	Youens	D14/322
D. 365,548	12/1995	Youenx	D14/322
D. 366,033	1/1996	Youens et al.	D14/325
D. 368,703	4/1996	Goodrich et al.	D14/325
D. 384,043	* 9/1997	Tamaki	D14/318
D. 385,856	* 11/1997	Kawa	D14/318

1 Claim, 9 Drawing Sheets



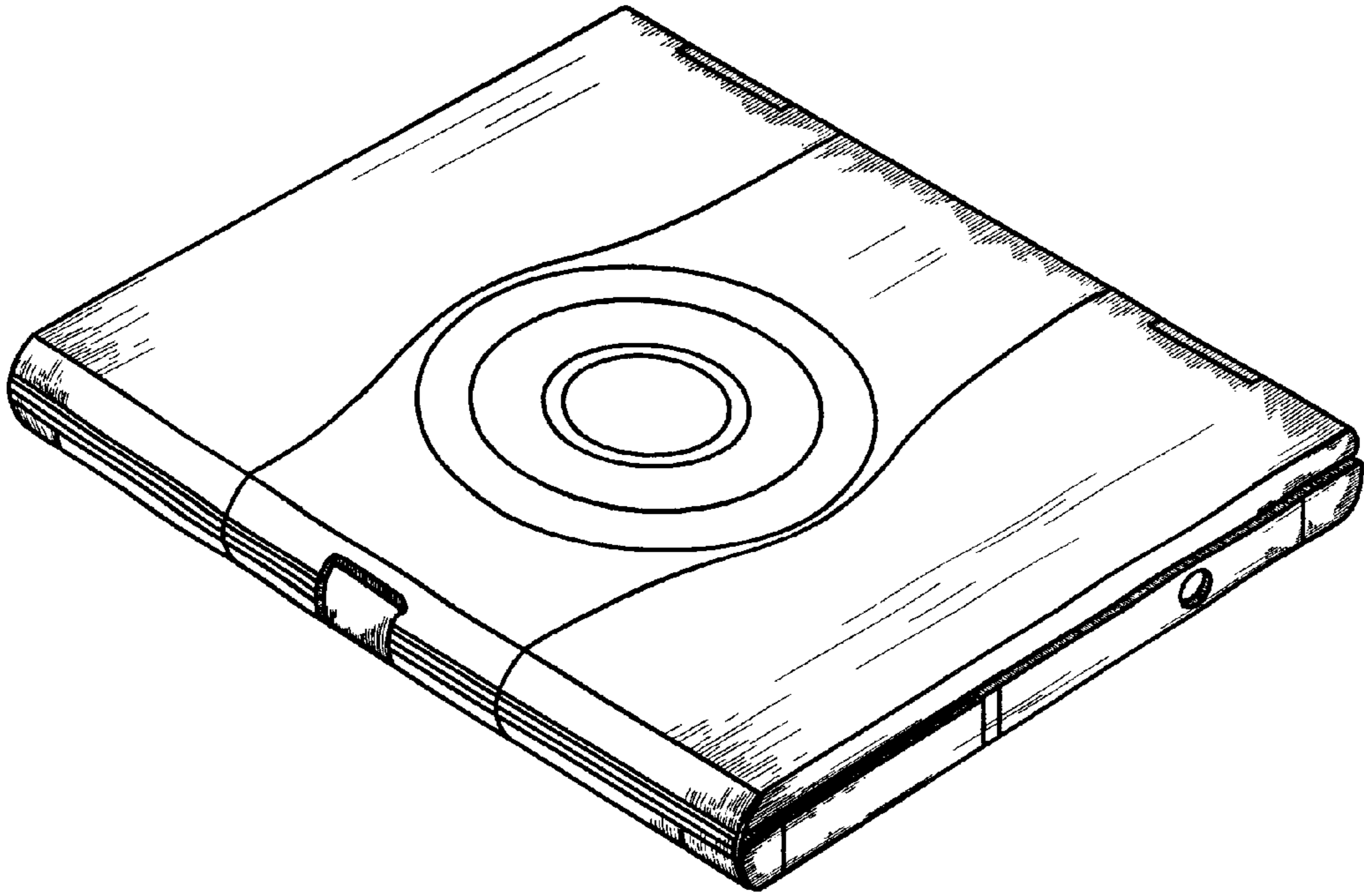


FIG. 1

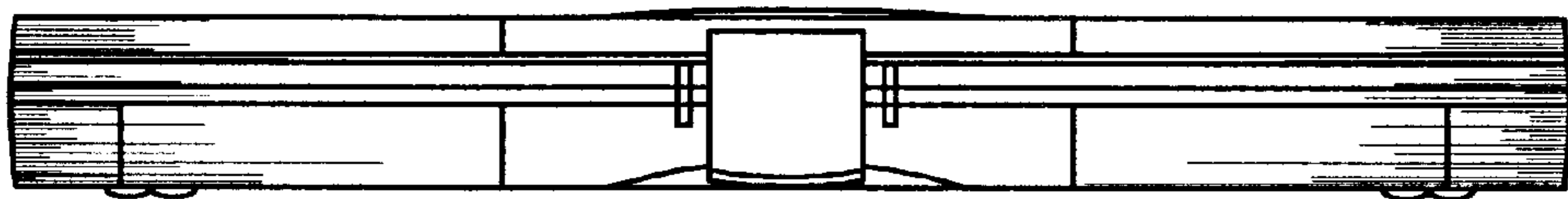


FIG. 2

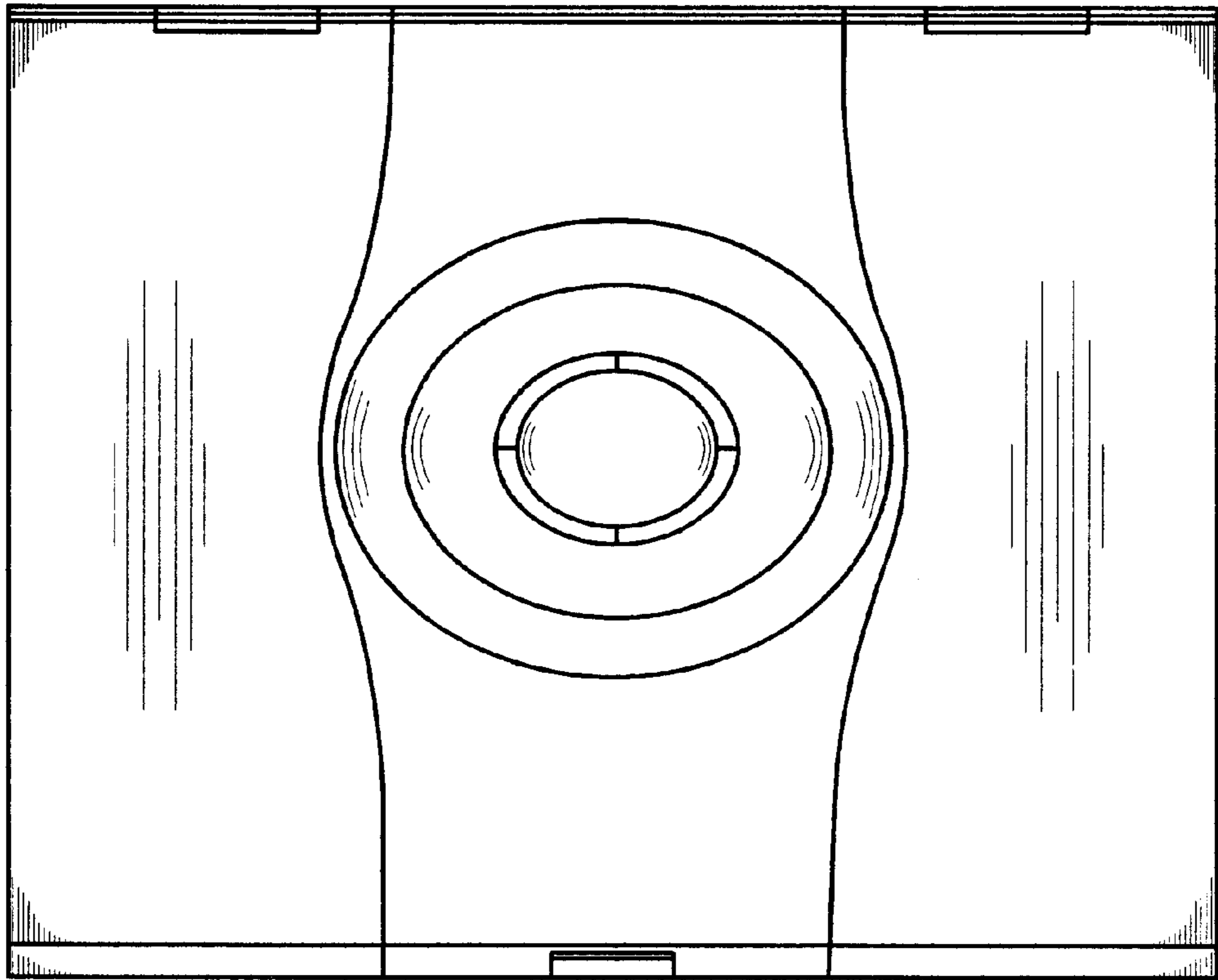


FIG. 3

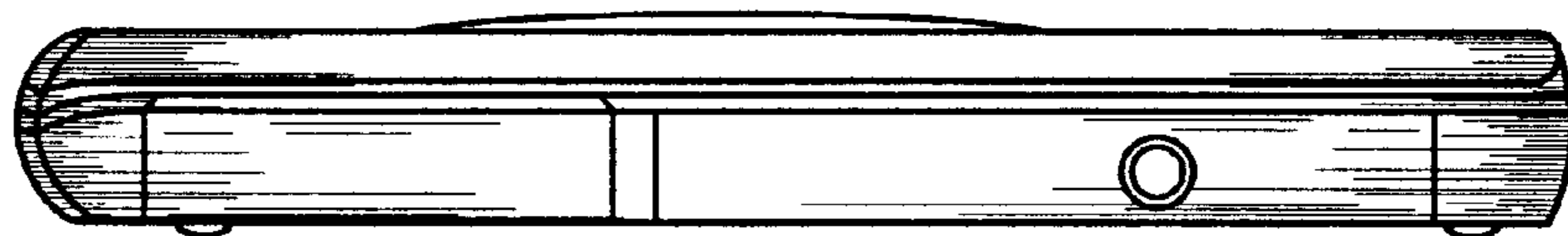


FIG. 4

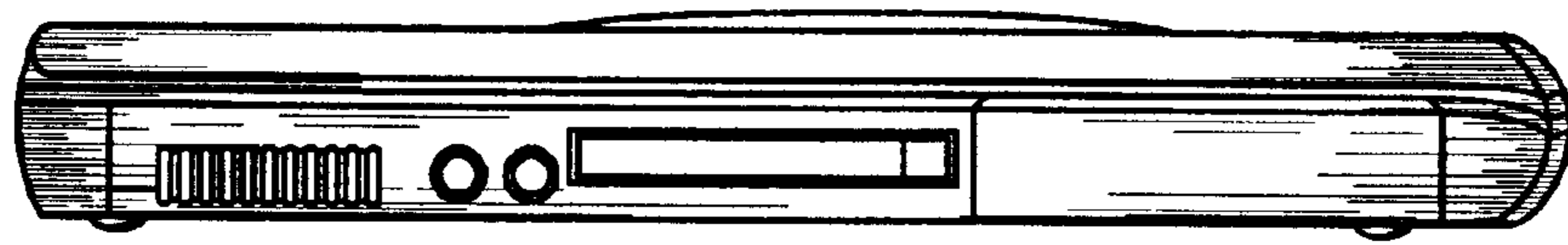


FIG. 5

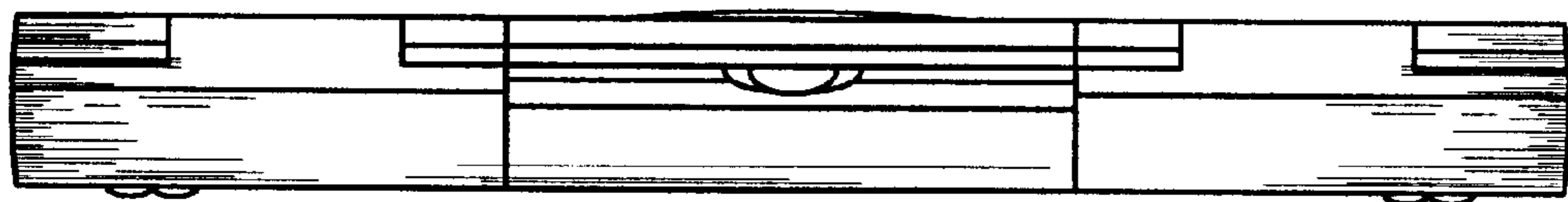


FIG. 6

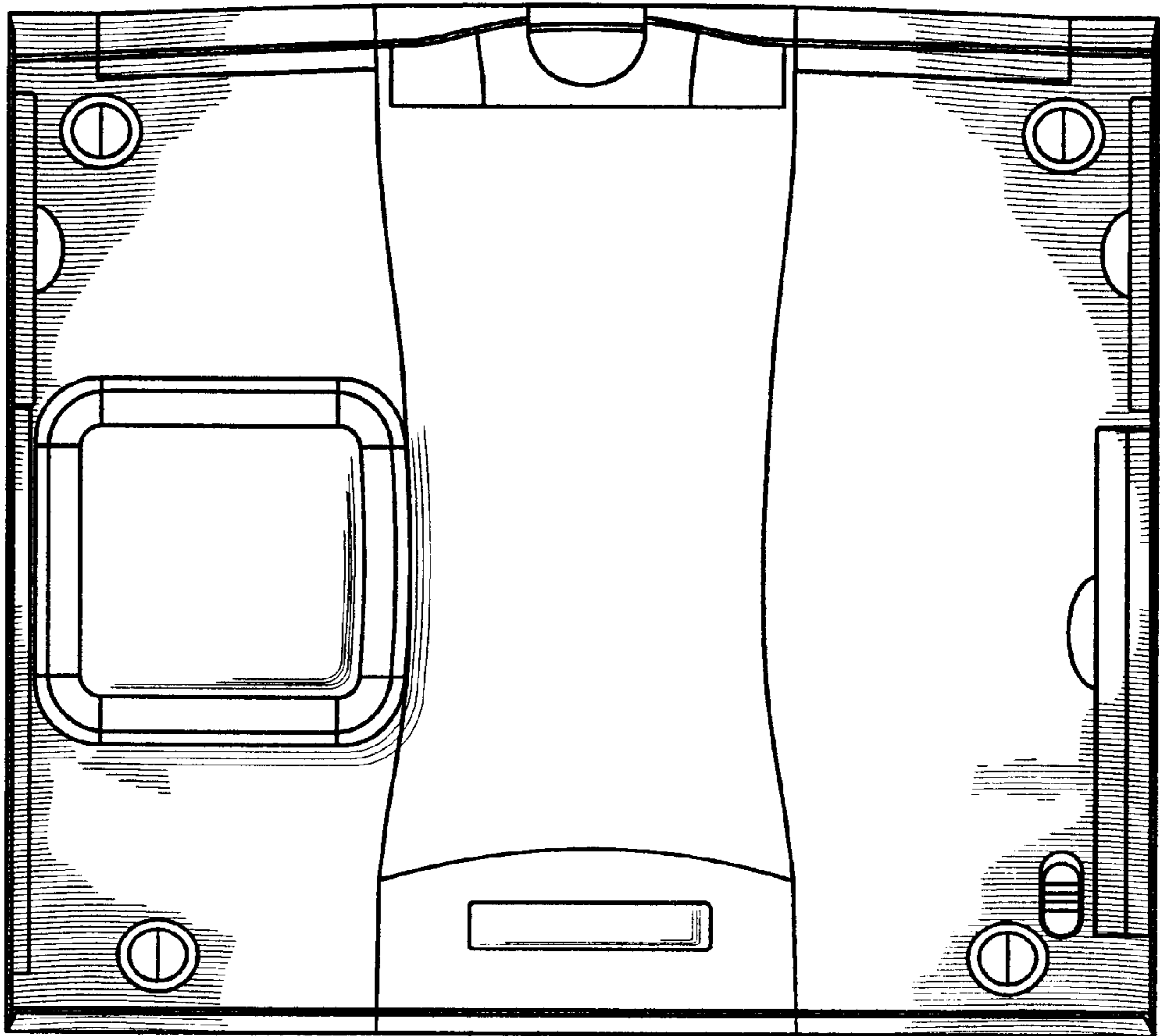


FIG. 7



FIG. 8

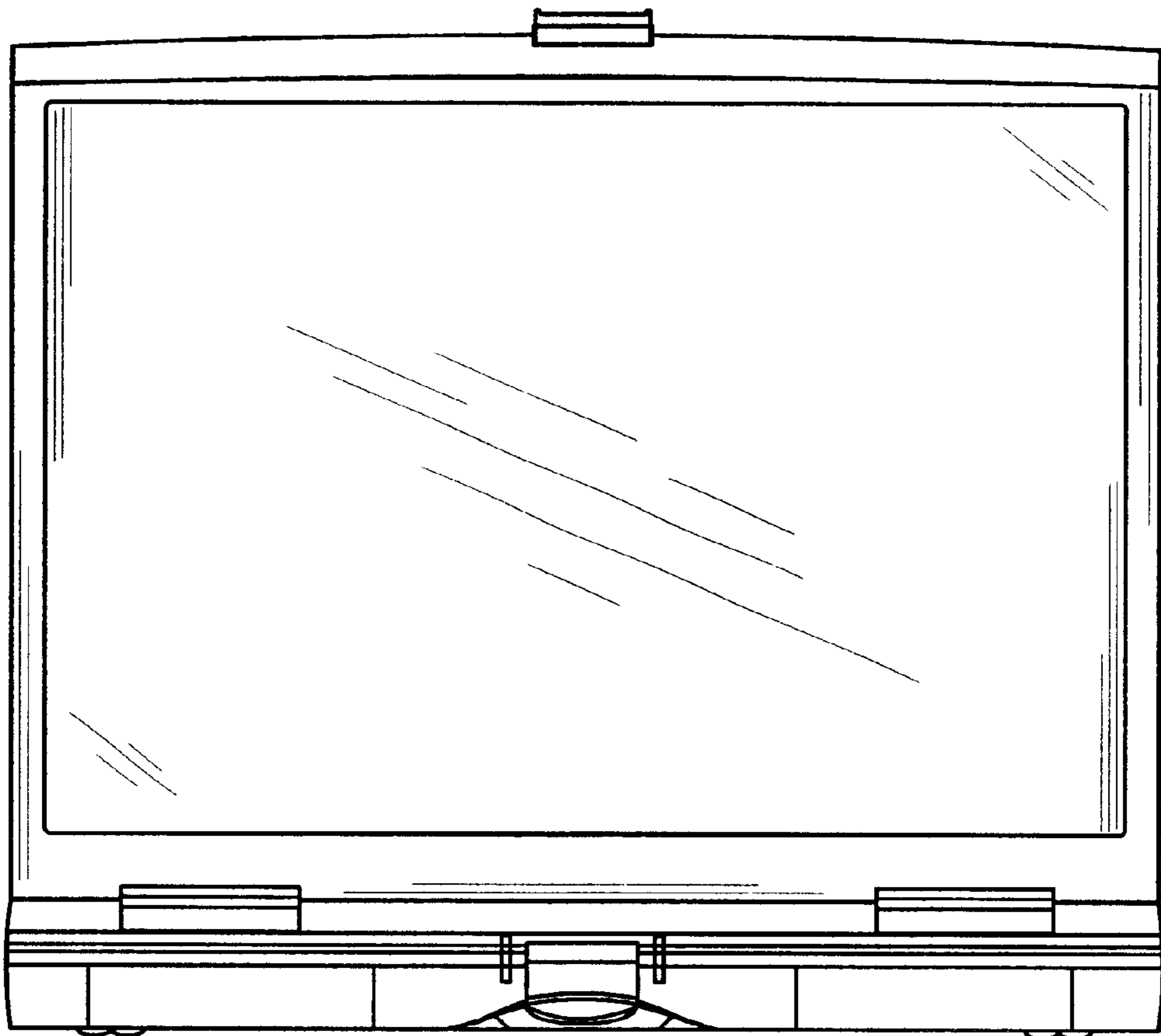


FIG. 9

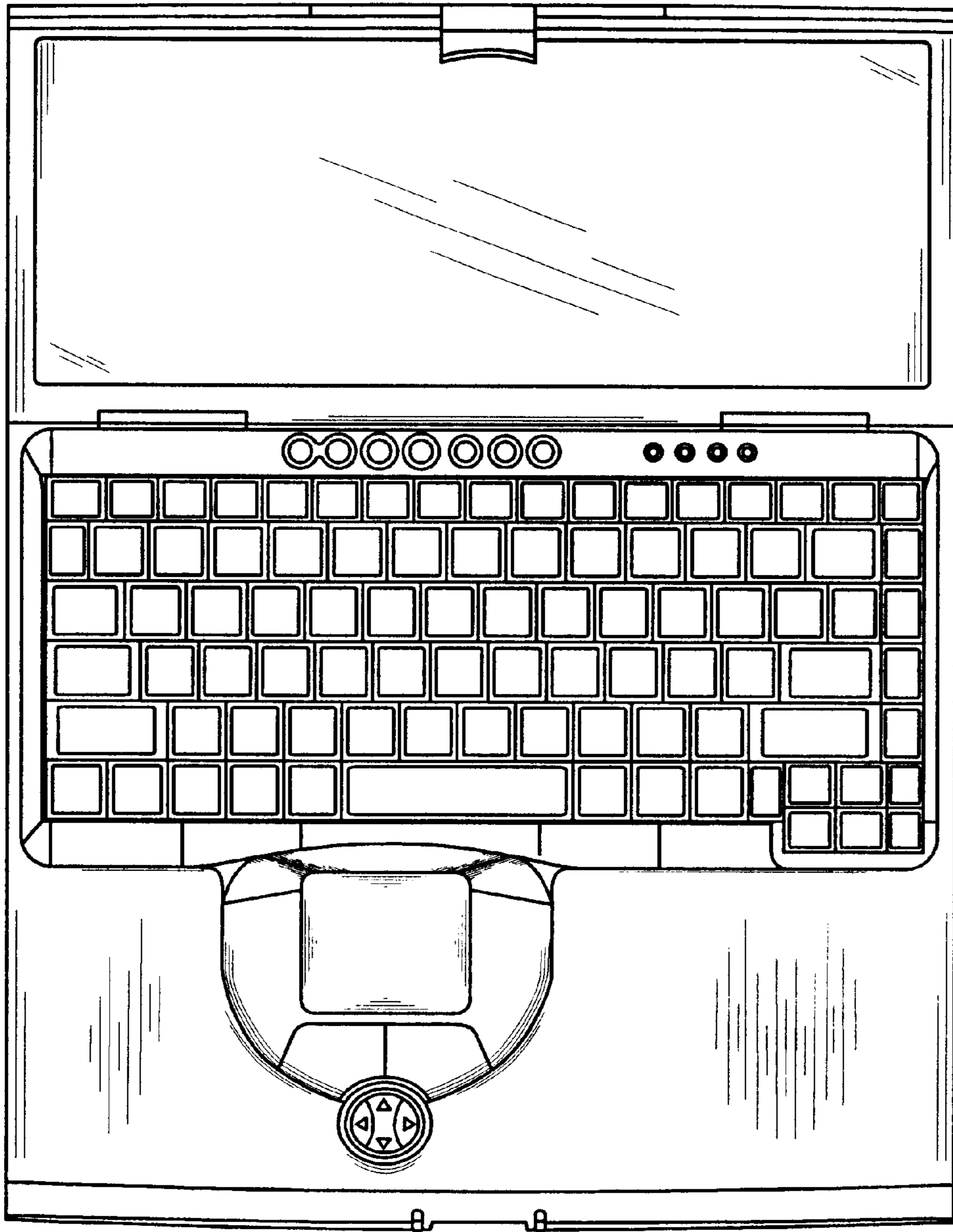


FIG. 10

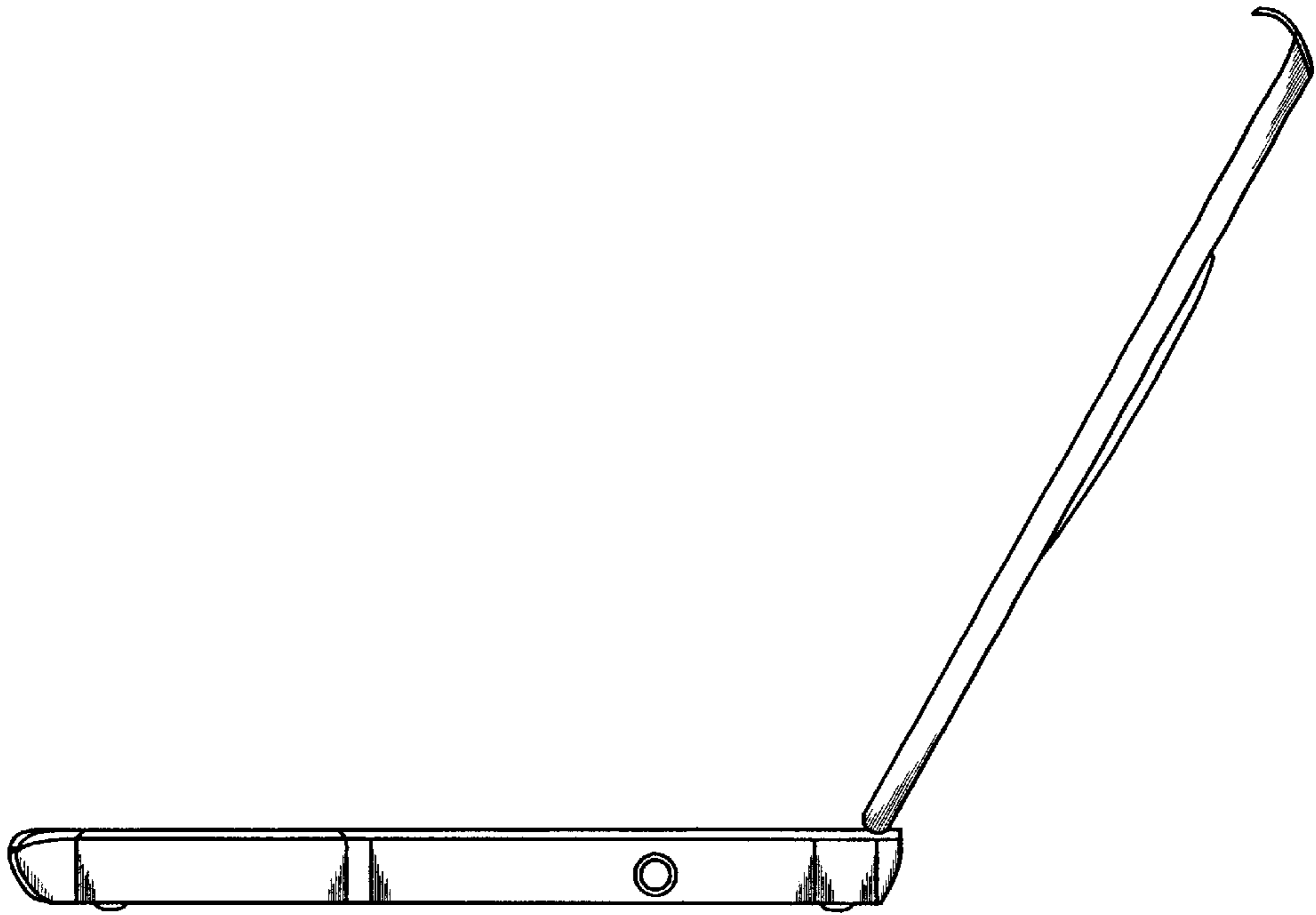


FIG. 11

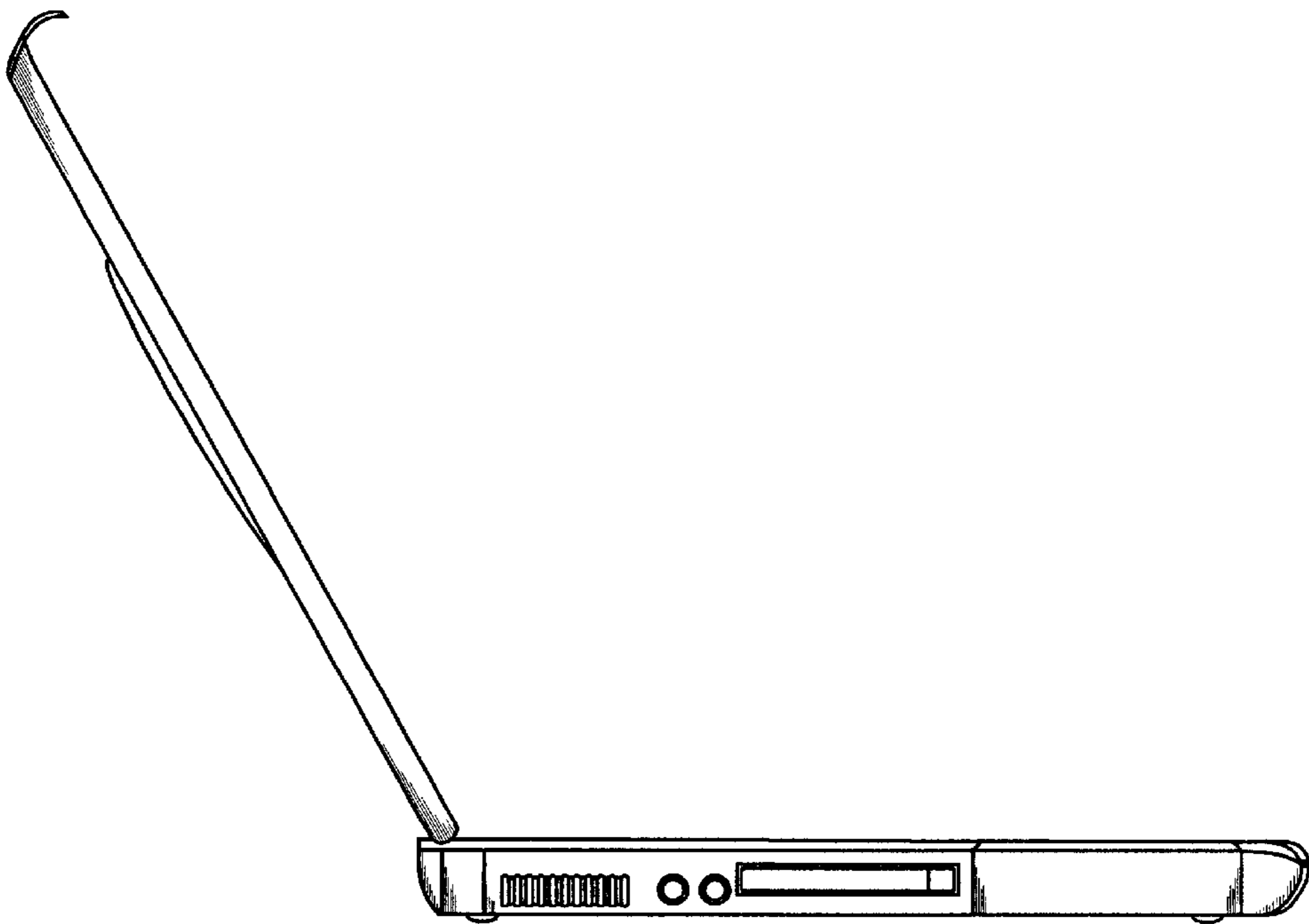


FIG. 12

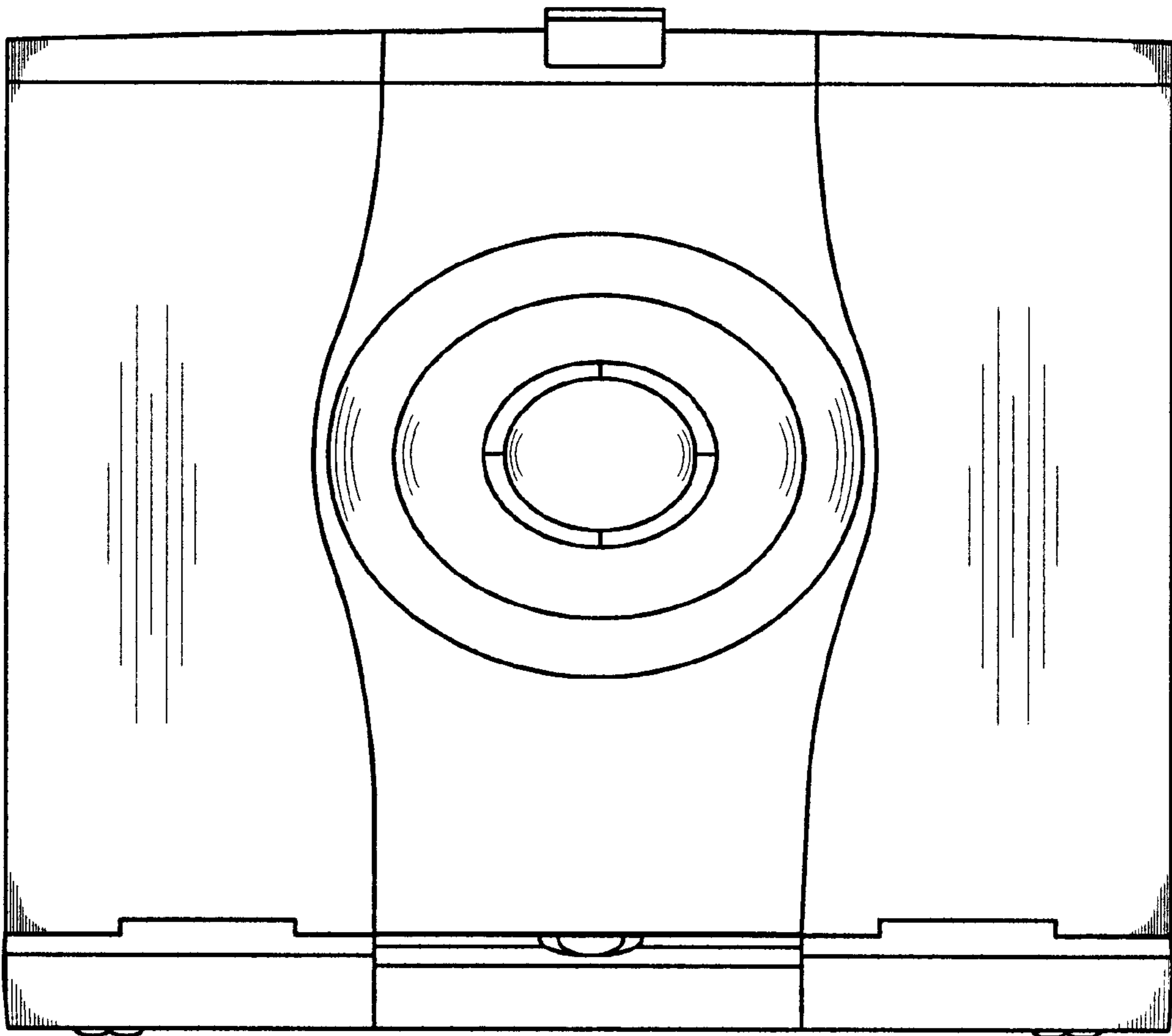


FIG. 13