



US00D442574S

(12) **United States Design Patent**
Ishii

(10) **Patent No.:** **US D442,574 S**

(45) **Date of Patent:** **** May 22, 2001**

(54) **COMBINED DISC PLAYER AND RADIO RECEIVER**

(75) **Inventor:** **Daisuke Ishii, Tokyo (JP)**

(73) **Assignee:** **Sony Corporation, Tokyo (JP)**

(**) **Term:** **14 Years**

(21) **Appl. No.:** **29/125,400**

(22) **Filed:** **Jun. 22, 2000**

(51) **LOC (7) Cl.** **14-01**

(52) **U.S. Cl.** **D14/168**

(58) **Field of Search** D14/156, 160-168,
D14/188, 194-198; 455/344, 345, 347-351

(56) **References Cited**

U.S. PATENT DOCUMENTS

D. 328,746	*	8/1992	Ishibashi et al.	D14/168
D. 334,191	*	3/1993	Yun	D14/168
D. 366,658	*	1/1996	Fukutome	D14/156 X
D. 426,224	*	6/2000	Yoneda	D14/168

OTHER PUBLICATIONS

“90”, pp. 92 &93 (CFS-W338, CFS-E16, CFS-E2TV & CFS-E14), Sony, Nov. 1998.

* cited by examiner

Primary Examiner—Nanda Bondade

(74) *Attorney, Agent, or Firm*—Rader, Fishman & Grauer

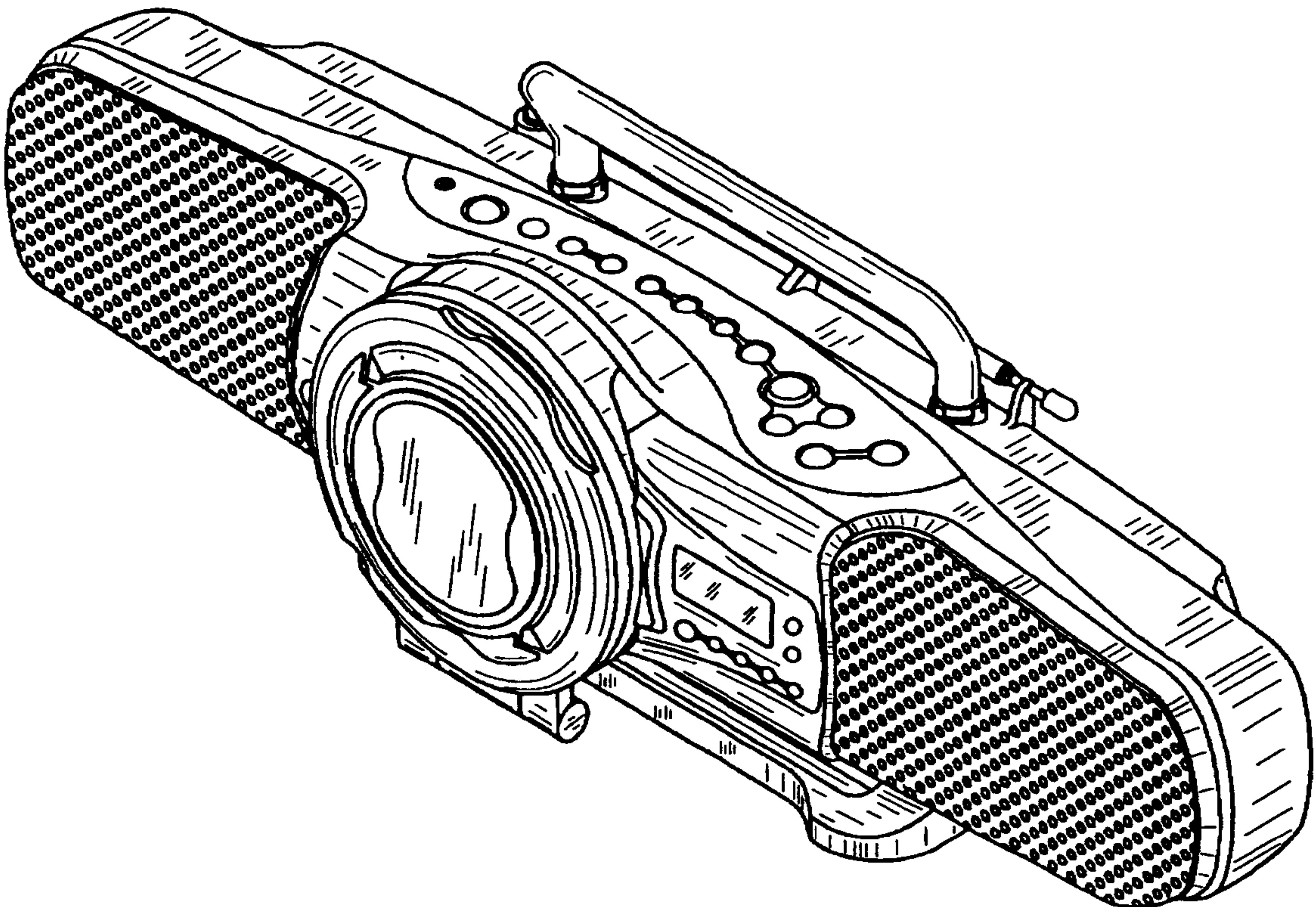
(57) **CLAIM**

The ornamental design for a combined disc player and radio receiver, as shown and described.

DESCRIPTION

FIG. 1 is a perspective view of a combined disc player and radio receiver showing my design; FIG. 2 is a top plan view thereof; FIG. 3 is a bottom plan view thereof; FIG. 4 is a left side elevational view thereof; FIG. 5 is a right side elevational view thereof; FIG. 6 is a front elevational view thereof; and, FIG. 7 is a rear elevational view thereof.

1 Claim, 4 Drawing Sheets



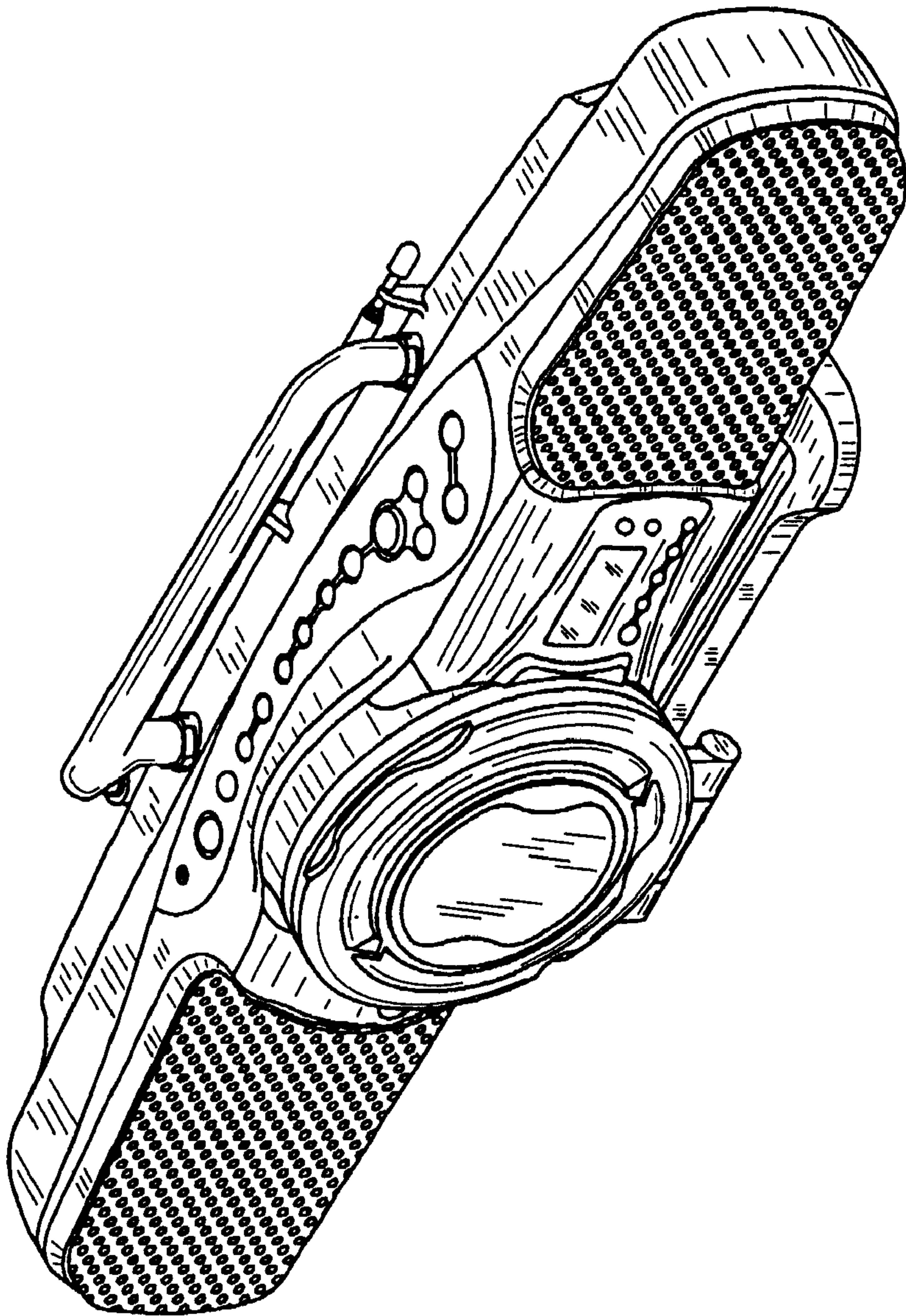


FIG. 1

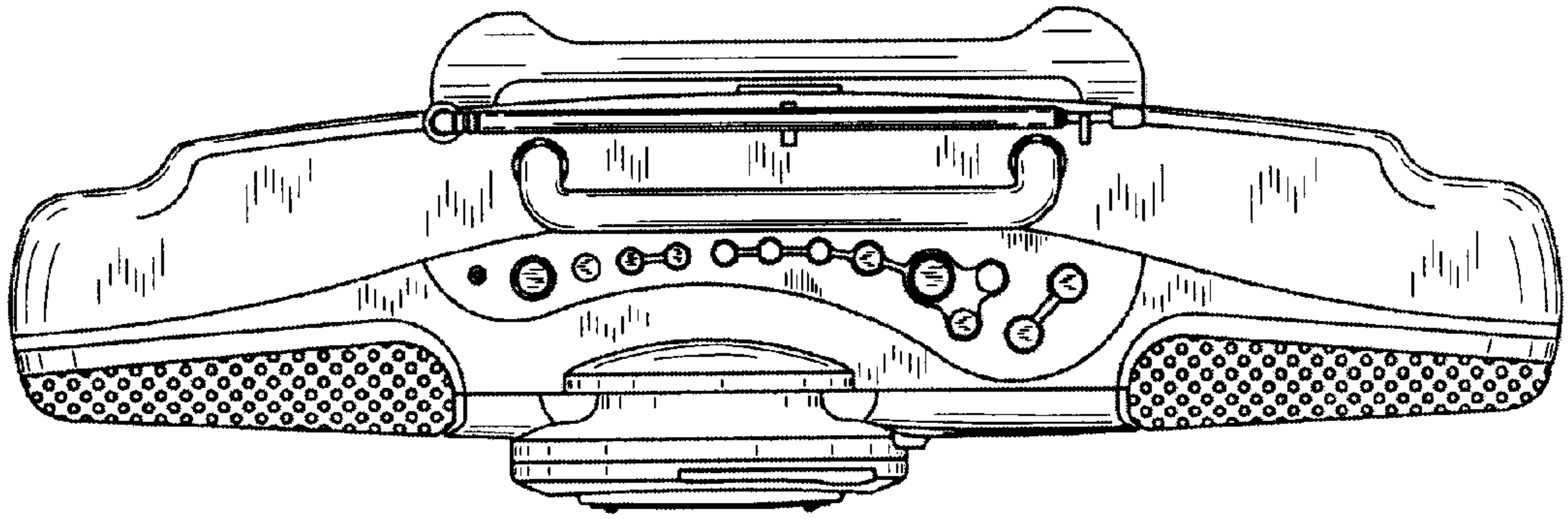


FIG. 2

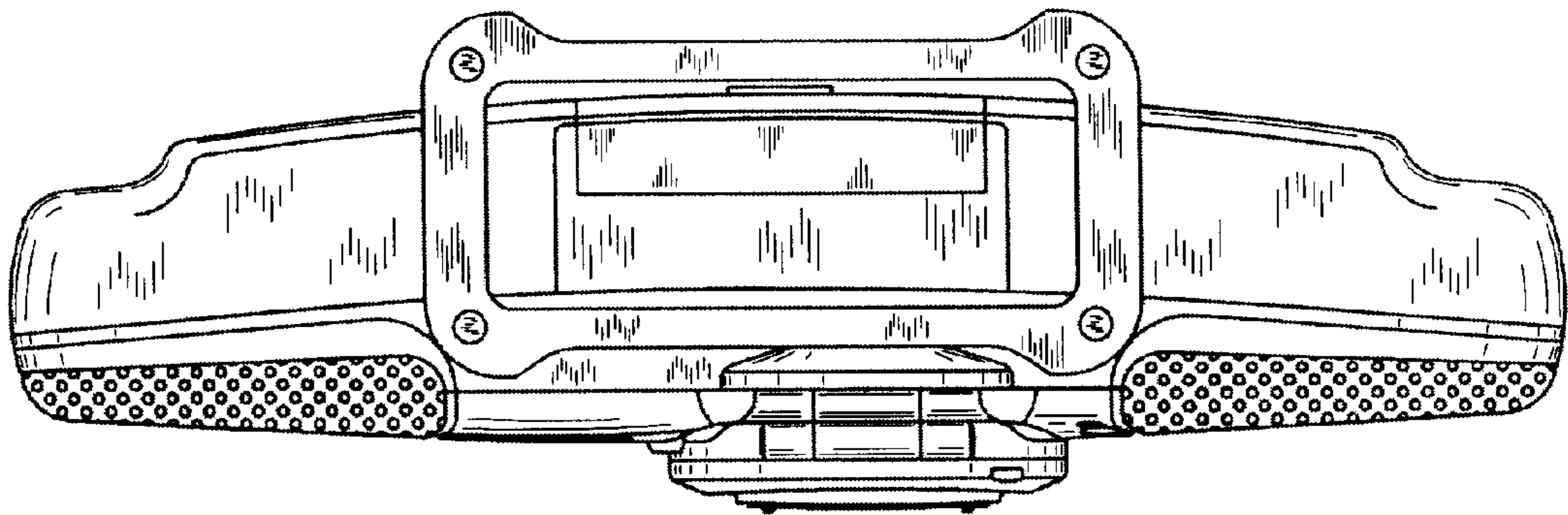


FIG. 3

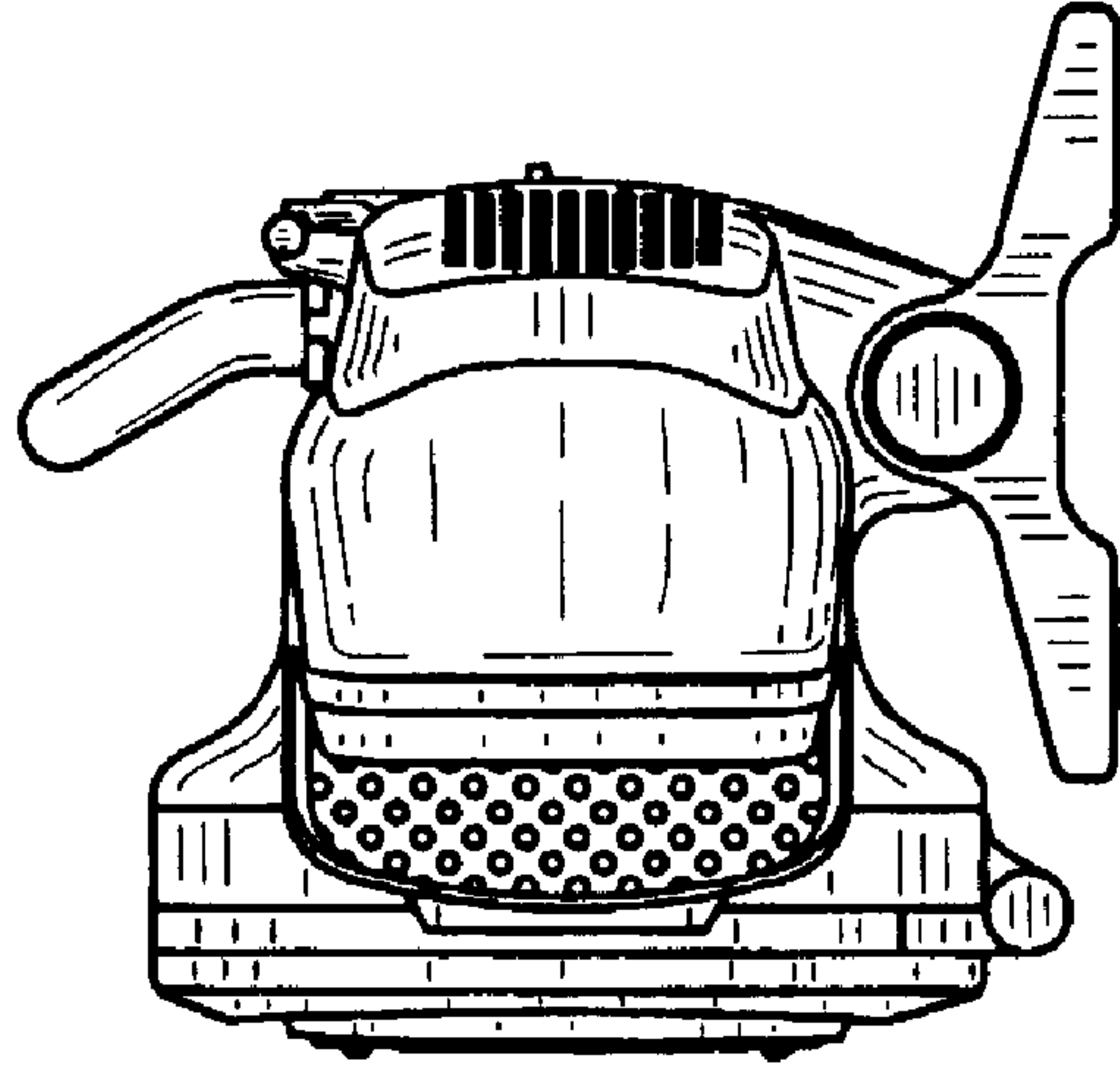


FIG. 5

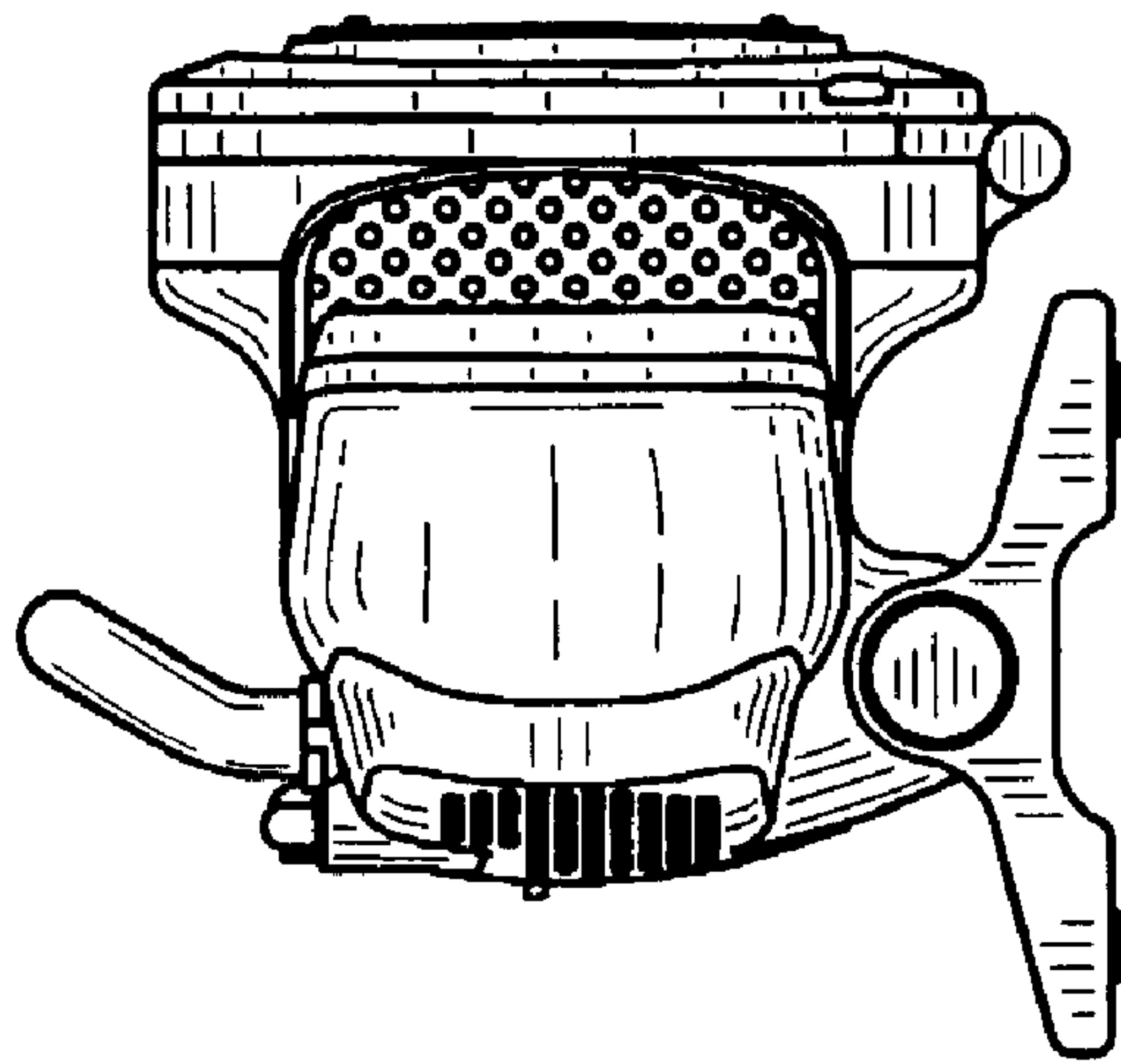


FIG. 4

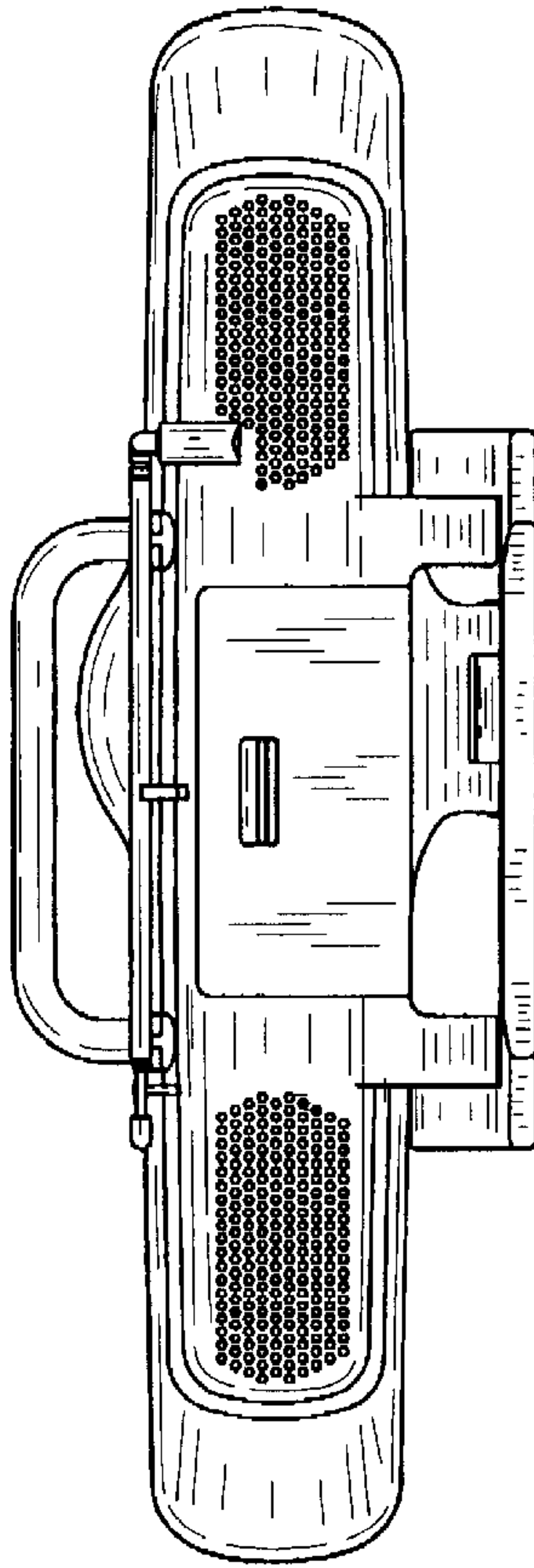


FIG. 7

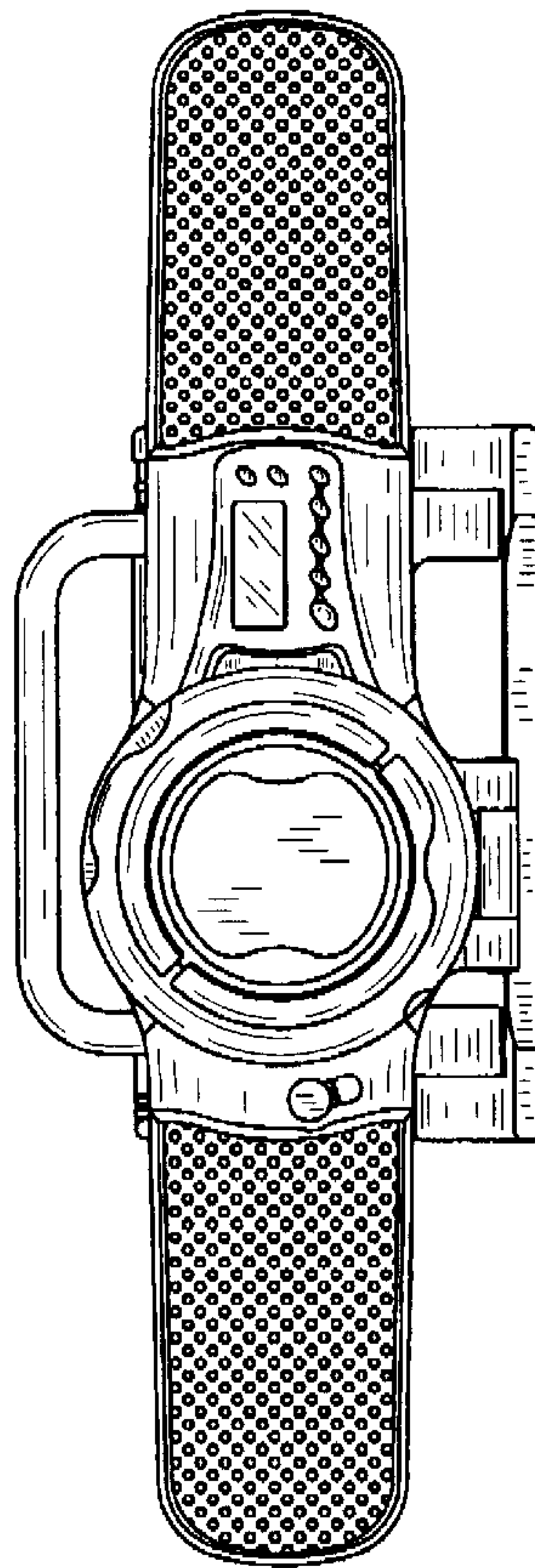


FIG. 6