



US00D442573S

(12) **United States Design Patent**
Ito et al.

(10) **Patent No.:** **US D442,573 S**

(45) **Date of Patent:** **** May 22, 2001**

(54) **COMBINED DIGITAL AUDIO DISC PLAYER,
RADIO TUNER AND AMPLIFIER**

(75) Inventors: **Masafumi Ito; Minoru Sube; Yukio
Iikura; Hiroyuki Watanabe**, all of
Tokyo (JP)

(73) Assignee: **Teac Corporation**, Tokyo (JP)

(**) Term: **14 Years**

(21) Appl. No.: **29/124,626**

(22) Filed: **Jun. 9, 2000**

(30) **Foreign Application Priority Data**

Dec. 10, 1999 (JP) 11-34160

(51) **LOC (7) Cl.** **14-01**

(52) **U.S. Cl.** **D14/168; D14/169; D14/198**

(58) **Field of Search** **D14/168-170,
D14/172-175, 183-184, 188-189, 193-198,
199-204, 208; 455/344, 350, 351**

(56) **References Cited**

U.S. PATENT DOCUMENTS

D. 38,202 * 8/1906 Eichhorn D14/208

D. 66,215 * 12/1924 Victor D14/195
D. 67,452 * 6/1925 Gernsback D14/194
D. 71,069 * 9/1926 Lehman D14/208
D. 92,264 * 5/1934 Newbold D14/198
D. 97,521 * 11/1935 Berg D14/194
D. 222,728 * 12/1971 Donnelly D14/184
905,855 * 12/1908 Devineau D14/208 X

* cited by examiner

Primary Examiner—Nanda Bondade

(74) *Attorney, Agent, or Firm*—Kanesaka & Takeuchi

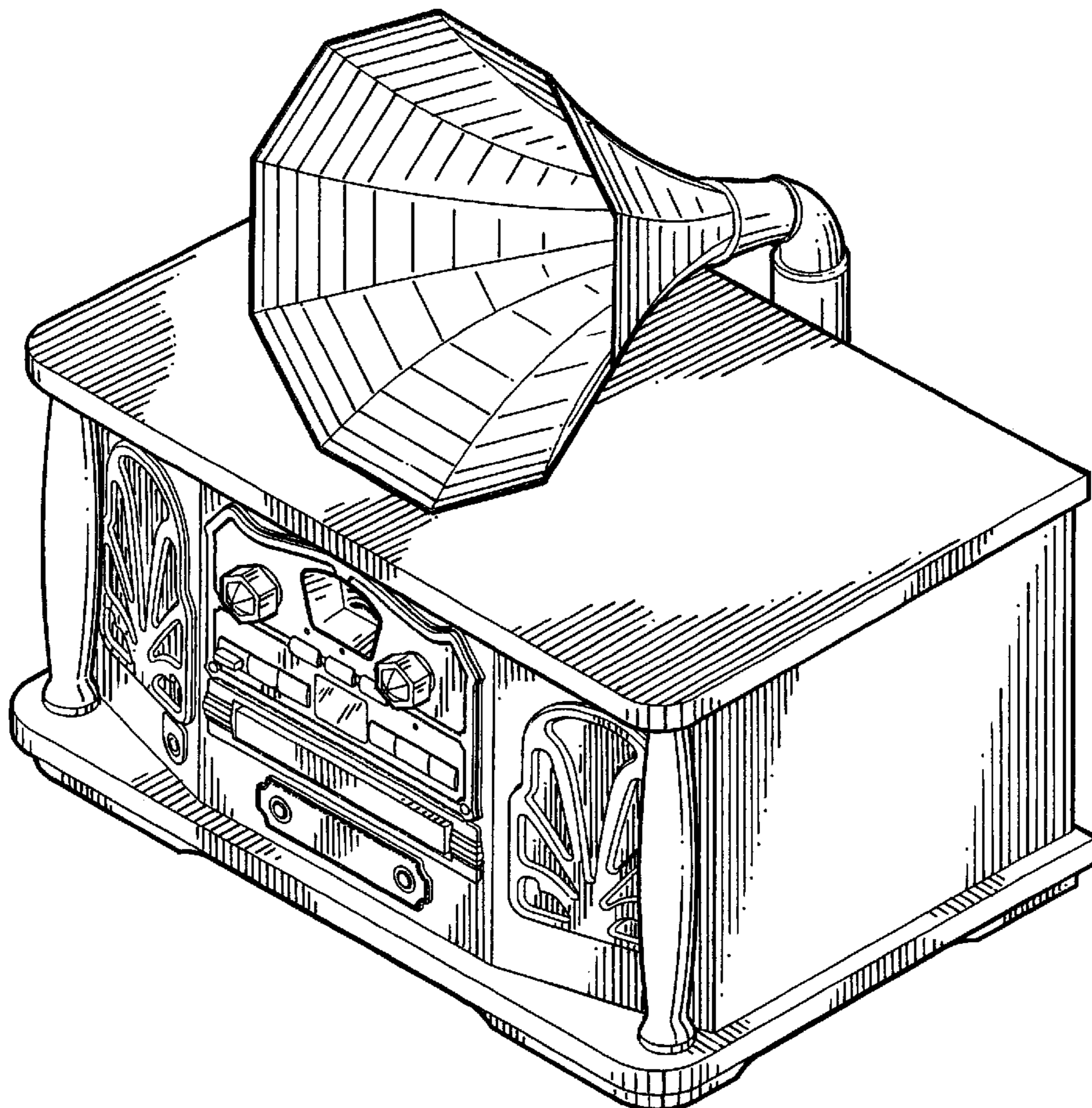
(57) **CLAIM**

The ornamental design for a combined digital audio disc player, radio tuner and amplifier, as shown and described.

DESCRIPTION

FIG. 1 is a top plan view of a combined digital audio disc player, radio tuner and amplifier showing our new design; FIG. 2 is a front view thereof; FIG. 3 is a right side view thereof, the left side view being symmetrical to the right side view; FIG. 4 is a bottom plan view thereof; FIG. 5 is a rear view thereof; and, FIG. 6 is a perspective view thereof.

1 Claim, 4 Drawing Sheets



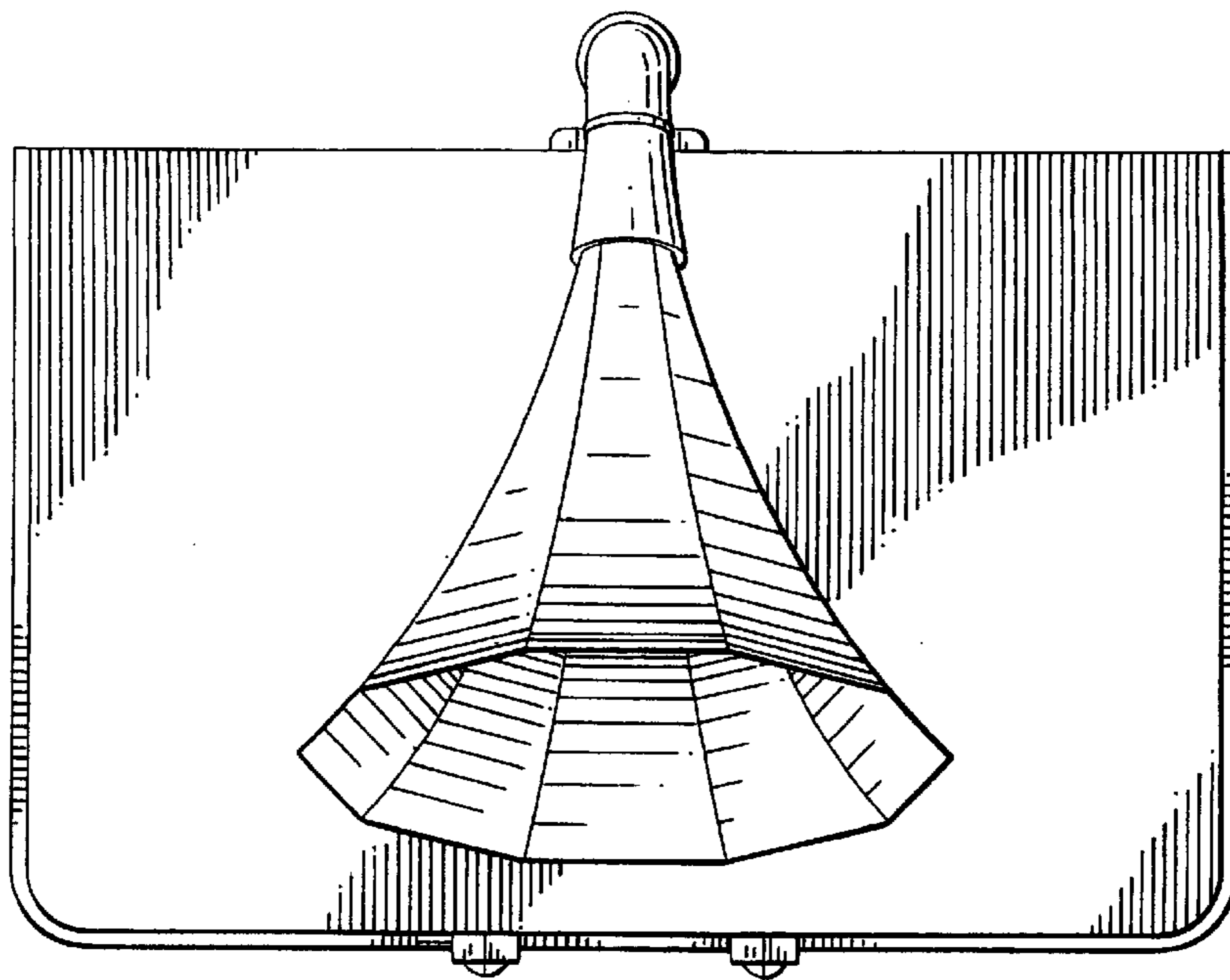


FIG. 1

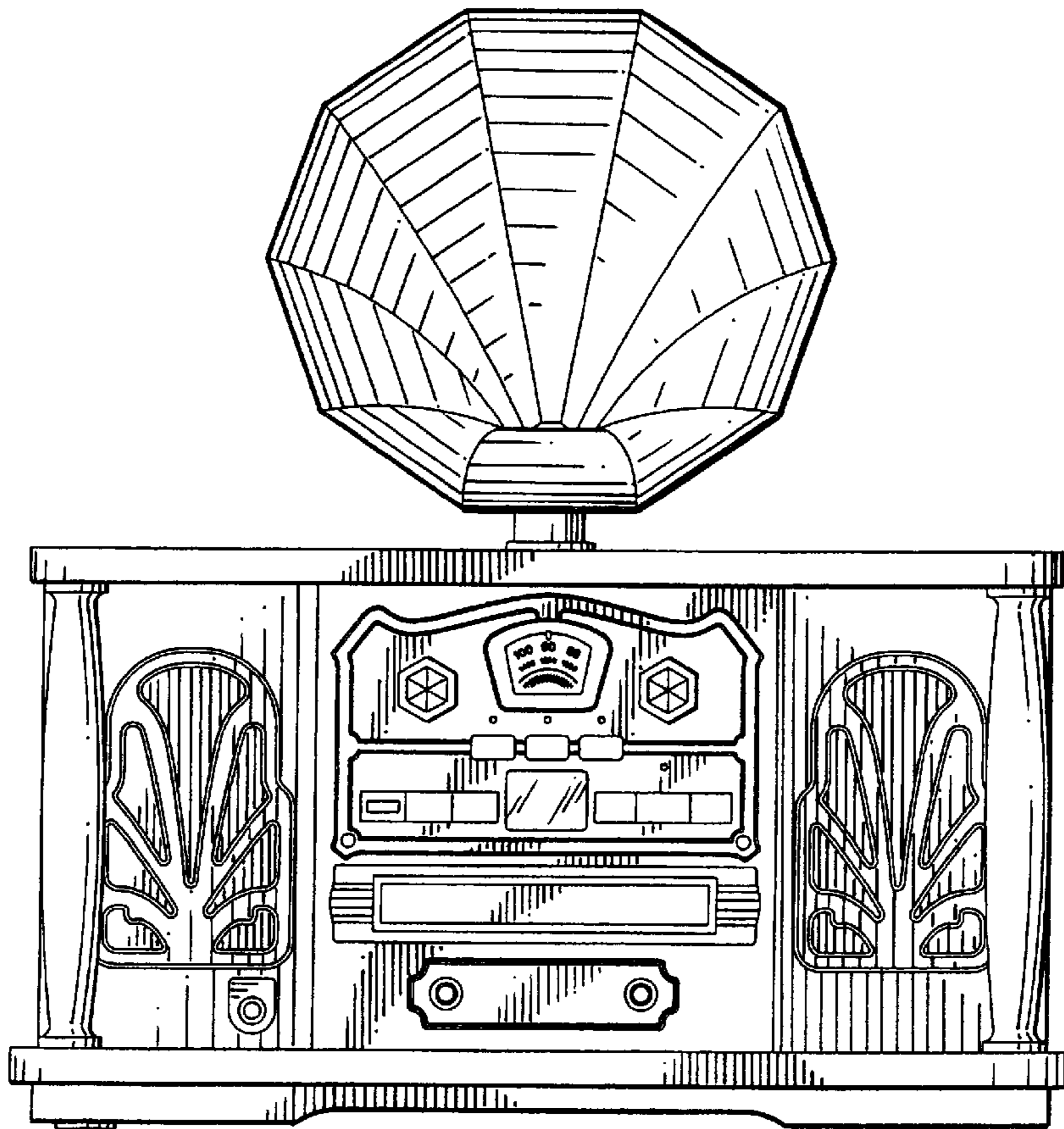


FIG. 2

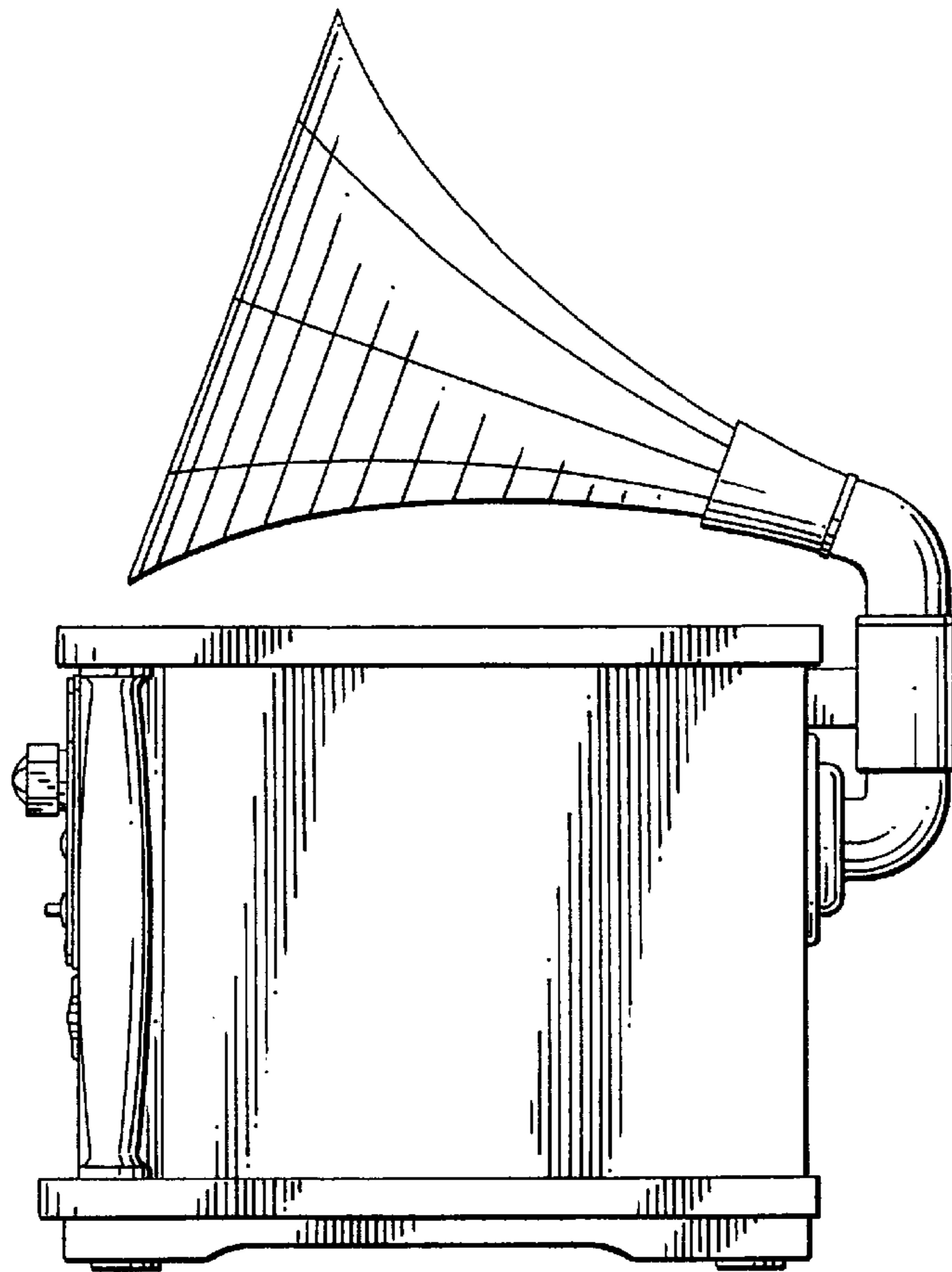


FIG. 3

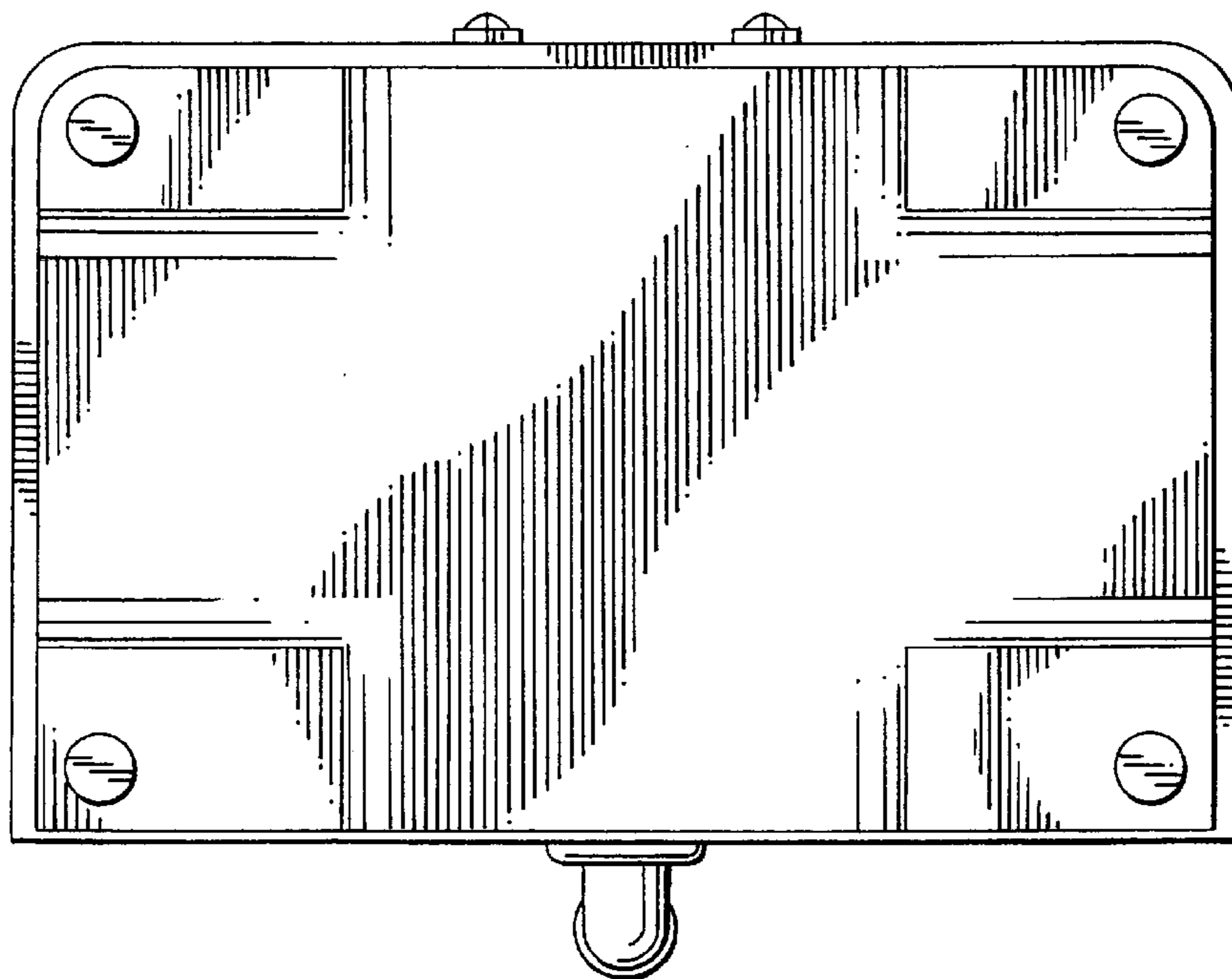


FIG. 4

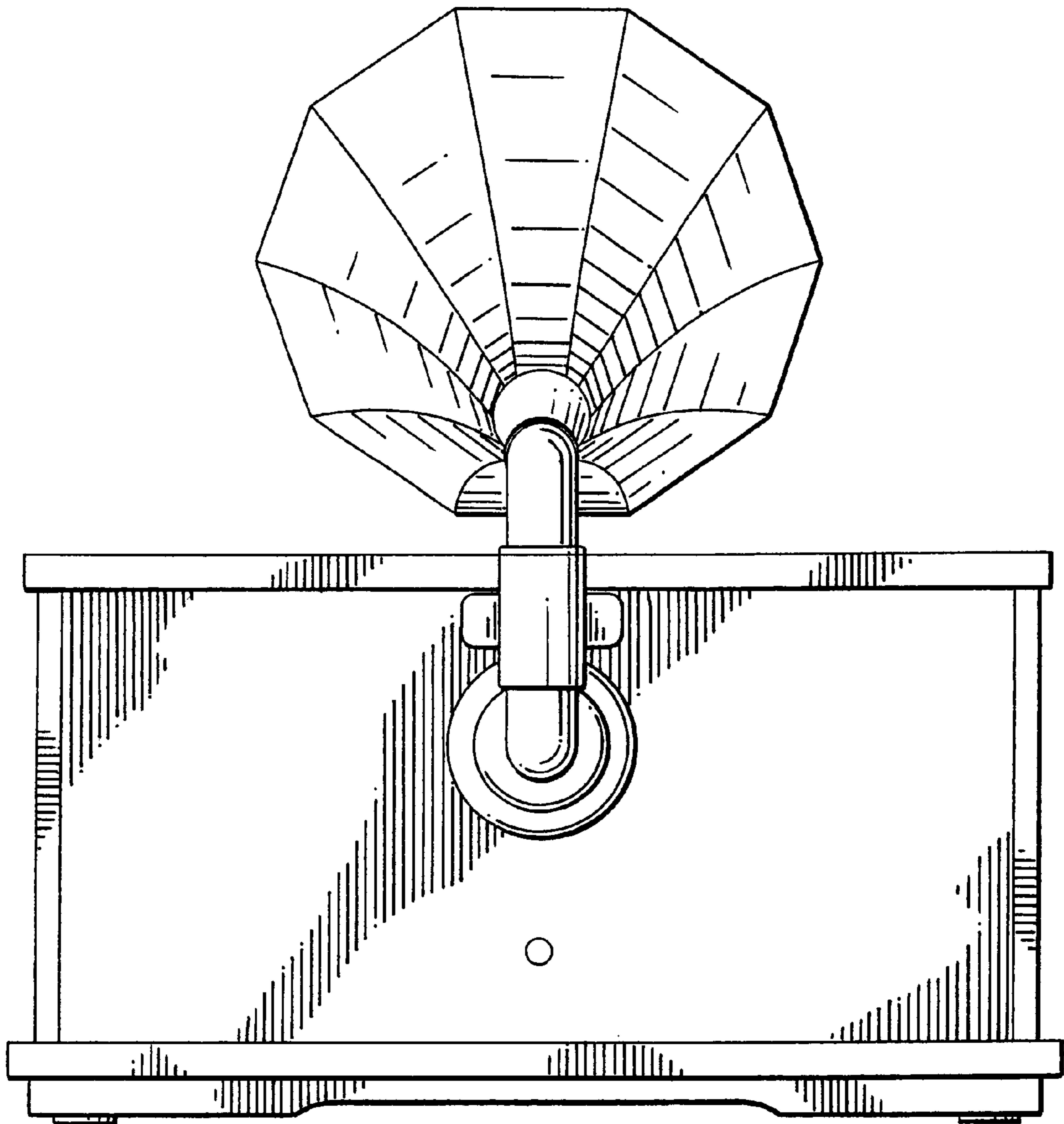


FIG. 5

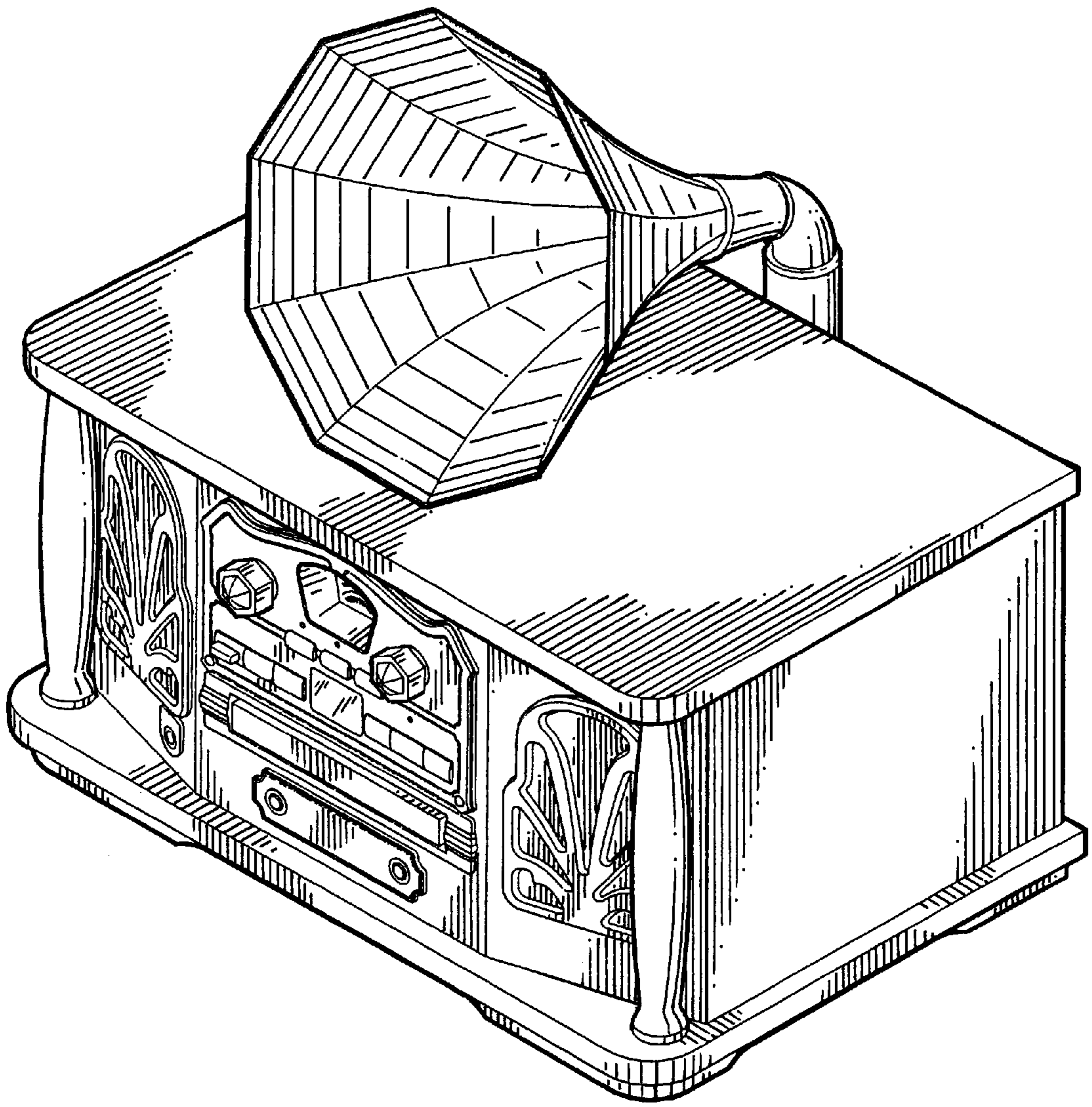


FIG. 6